



US00D396402S

**United States Patent** [19]  
**Rastovski**

[11] **Patent Number:** **Des. 396,402**  
[45] **Date of Patent:** **\*\*Jul. 28, 1998**

[54] **ONE PIECE REFRIGERATOR BRACKET**

[75] **Inventor:** **David W. Rastovski, Valparaiso, Ind.**

[73] **Assignee:** **Diversified Specialties, Port Washington, Wis.**

[\*\*] **Term:** **14 Years**

[21] **Appl. No.:** **55,785**

[22] **Filed:** **Jun. 12, 1996**

[51] **LOC (6) Cl.** ..... **08-05**

[52] **U.S. Cl.** ..... **D8/354**

[58] **Field of Search** ..... **D8/373, 349, 354; 248/300; 24/701**

[56] **References Cited**

**U.S. PATENT DOCUMENTS**

D. 356,641	3/1995	Stewart et al. ....	D24/176
D. 364,553	11/1995	Wilson .....	D8/373
818,700	4/1906	Morewood .....	24/222
1,728,308	9/1929	Schweiger .	

*Primary Examiner*—Holly Baynham  
*Attorney, Agent, or Firm*—Bell Seltzer Intellectual Property Law Group of Alston & Bird, LLP

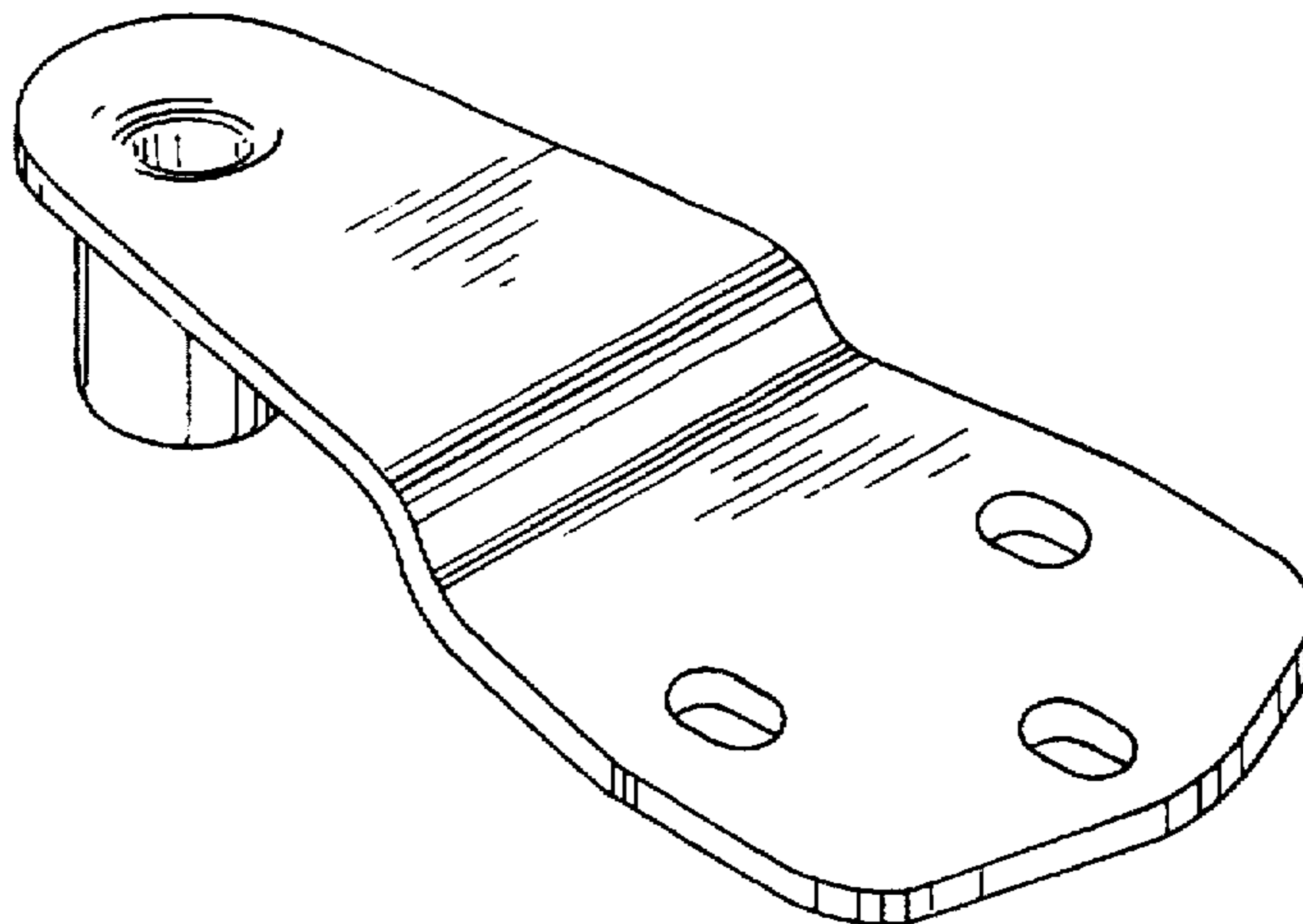
[57] **CLAIM**

The ornamental design for a one piece refrigerator bracket, as shown and described.

**DESCRIPTION**

FIG. 1 is a perspective view of a one piece refrigerator bracket showing a first embodiment of the new design; FIG. 2 is a top plan view thereof; FIG. 3 is a bottom plan view thereof; FIG. 4 is a side elevational view, the other side being a mirror image thereof; FIG. 5 is a rear elevational view thereof; FIG. 6 is a front elevational view thereof; FIG. 7 is a perspective view of a one piece refrigerator bracket showing a second embodiment of the new design; FIG. 8 is a top plan view thereof; FIG. 9 is a bottom plan view thereof; FIG. 10 is a side elevational view, the other side being a mirror image thereof; FIG. 11 is a rear elevational view thereof; and, FIG. 12 is a front elevational view thereof.

**1 Claim, 2 Drawing Sheets**



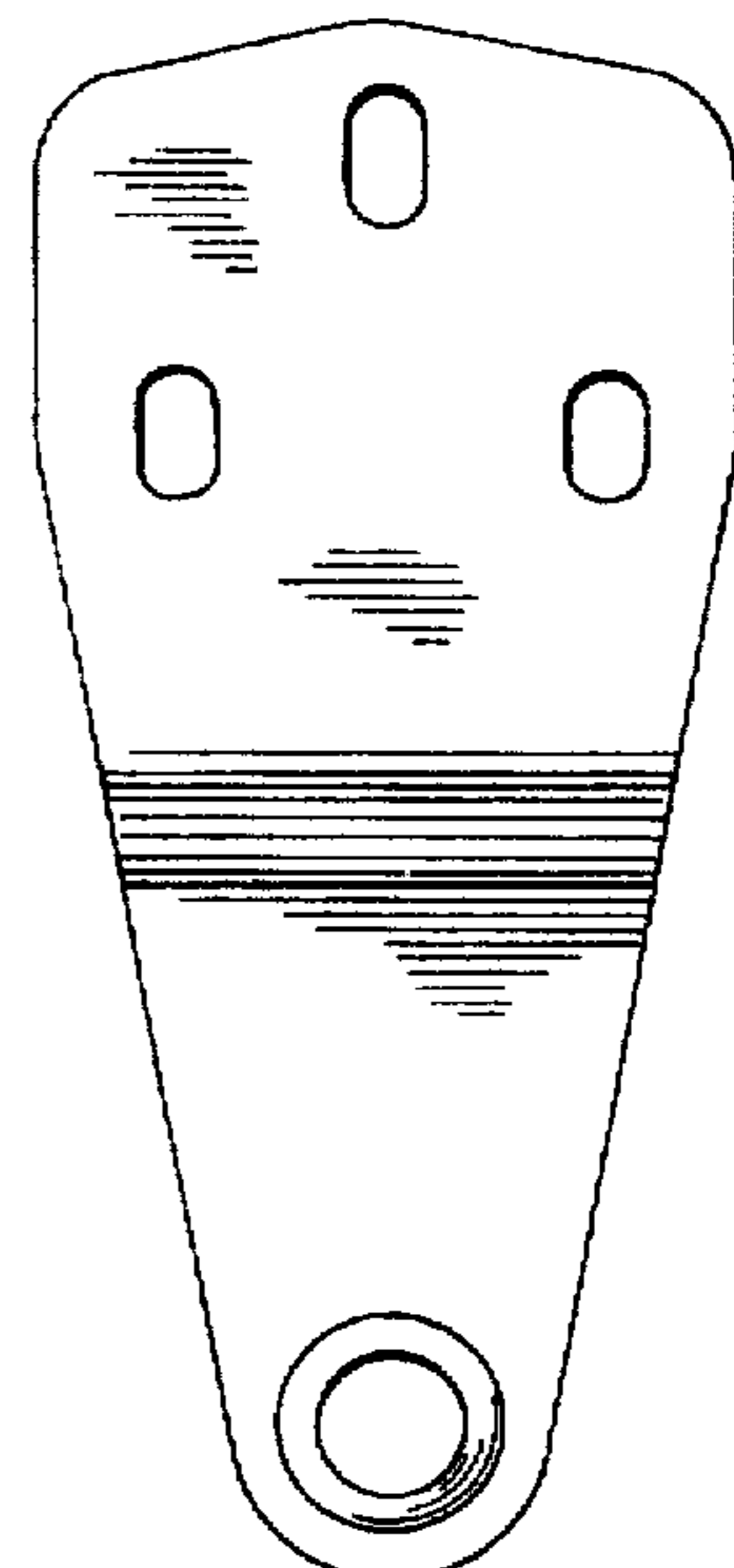
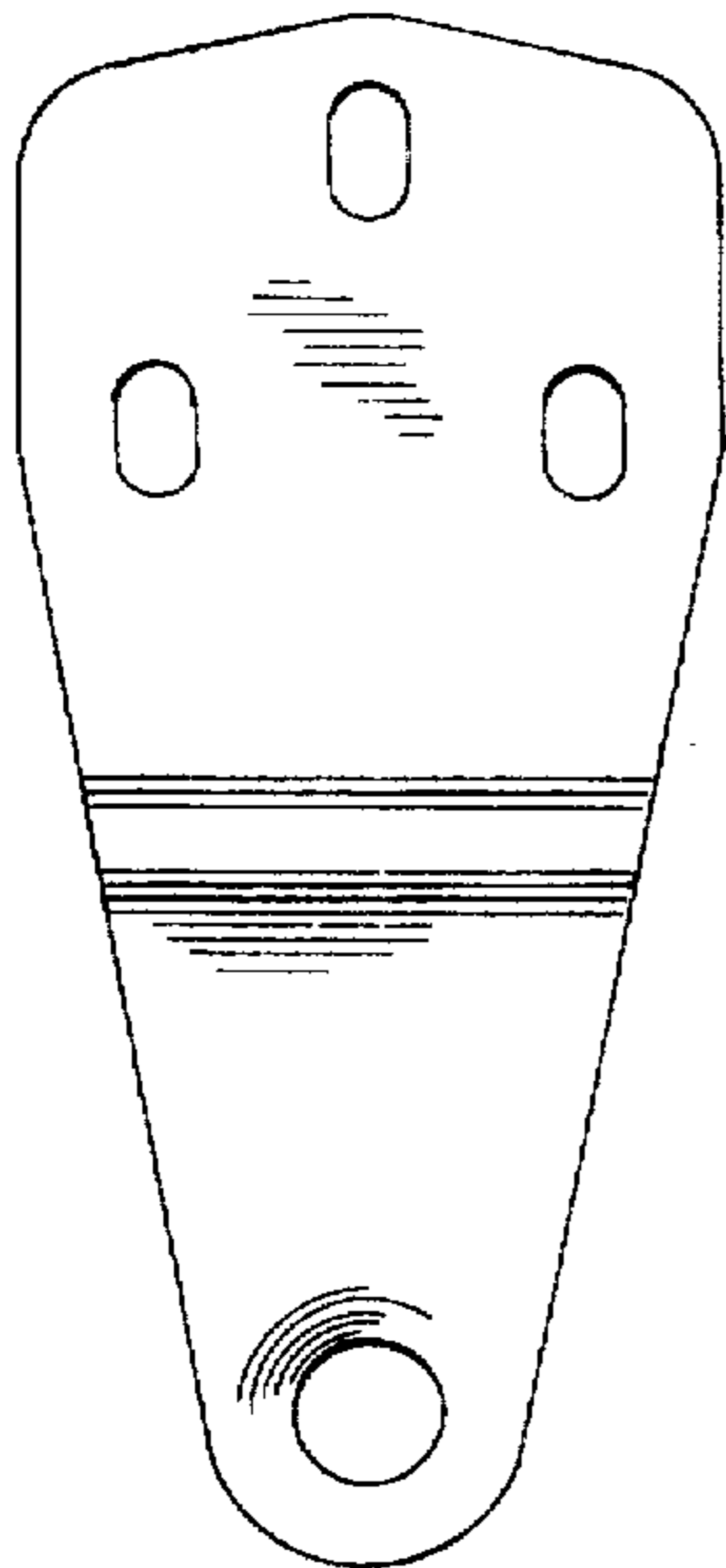
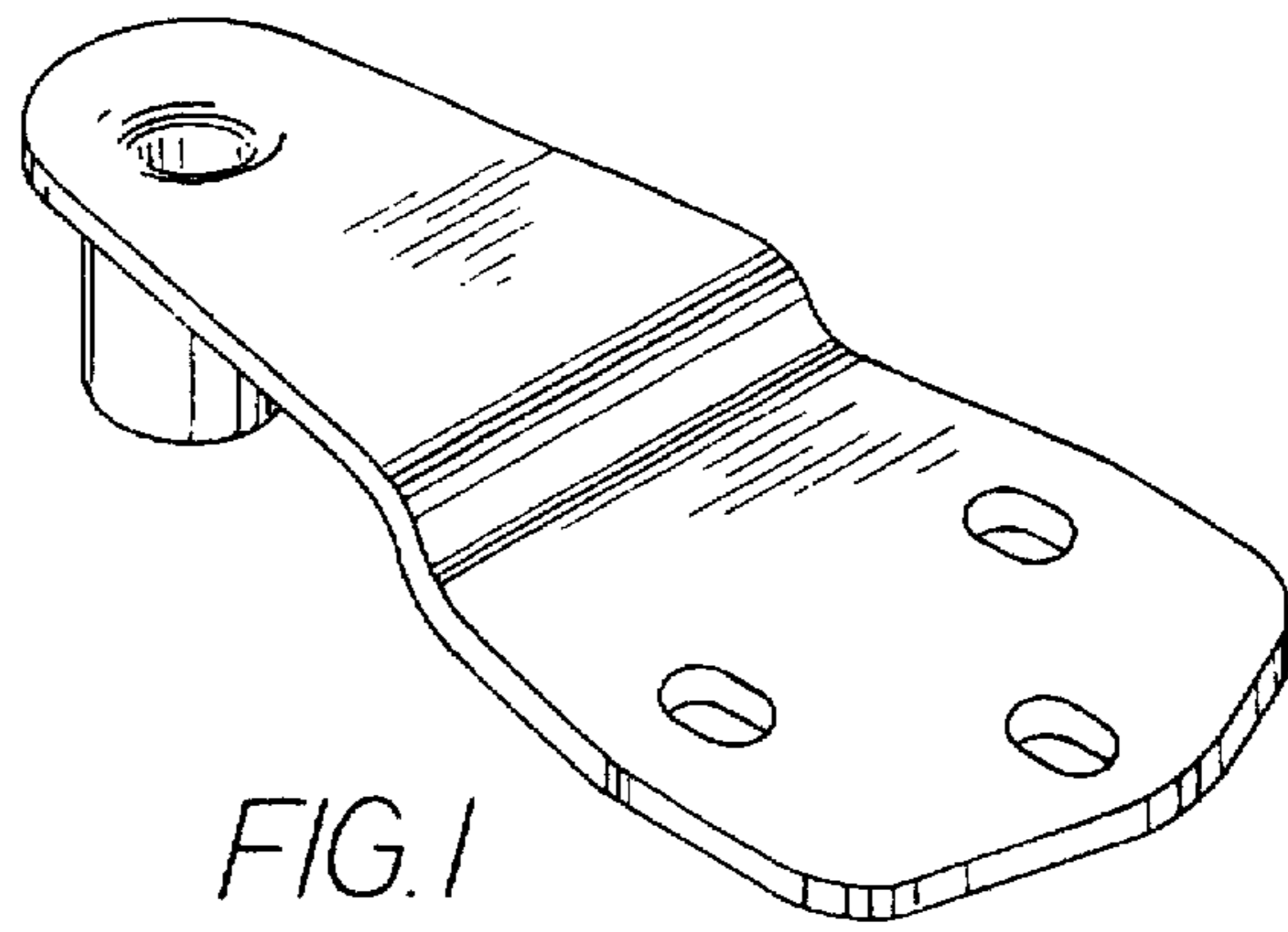


FIG. 2

FIG. 3



FIG. 4

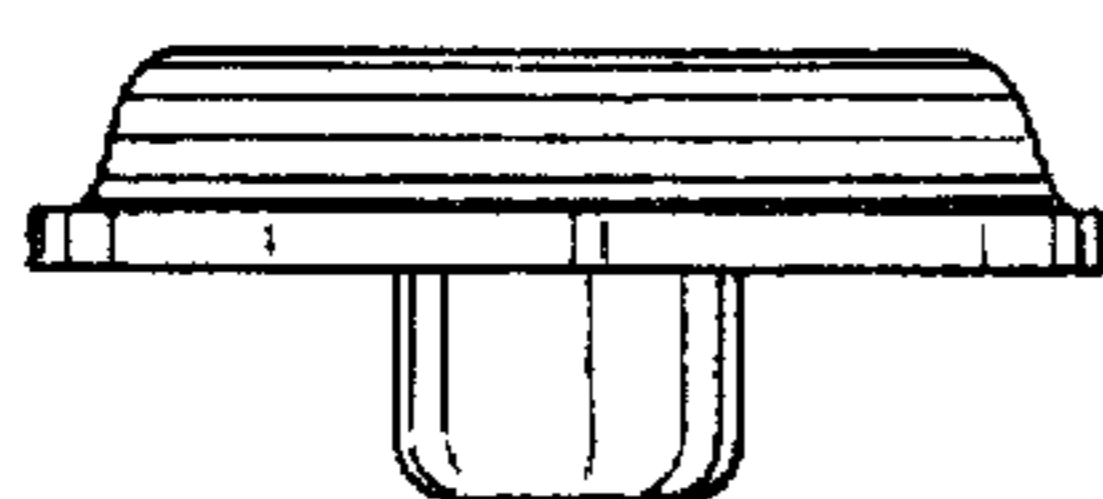


FIG. 5

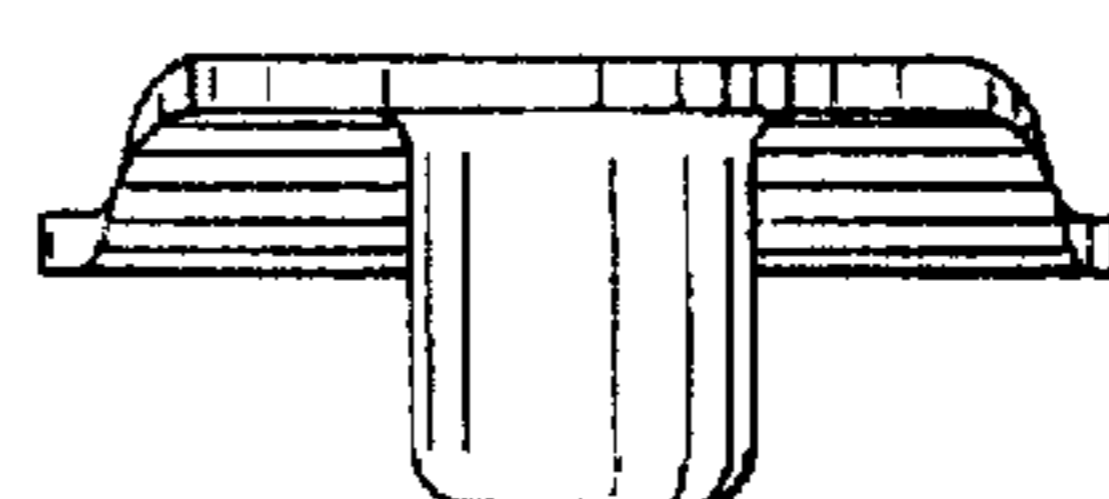


FIG. 6

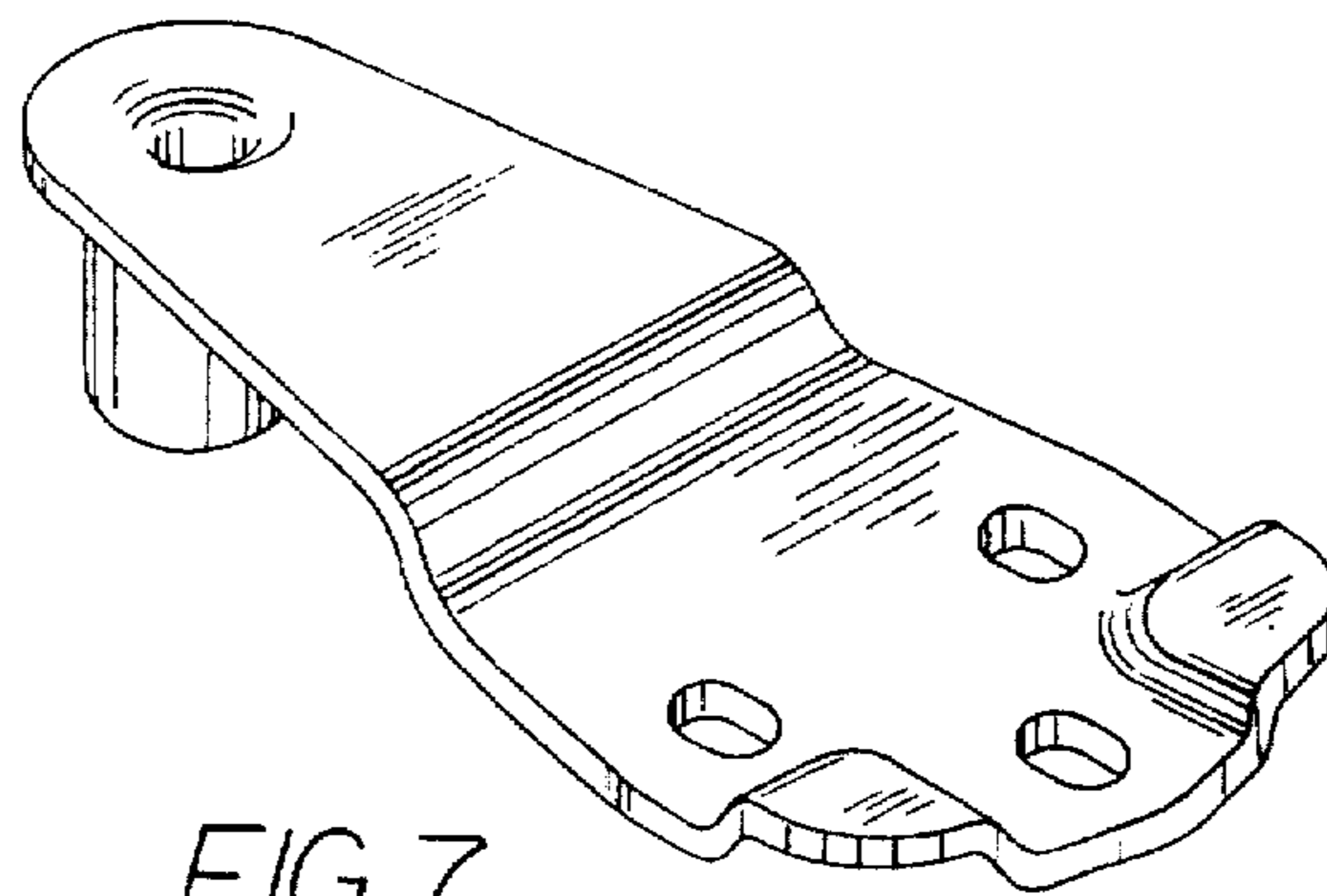


FIG. 7

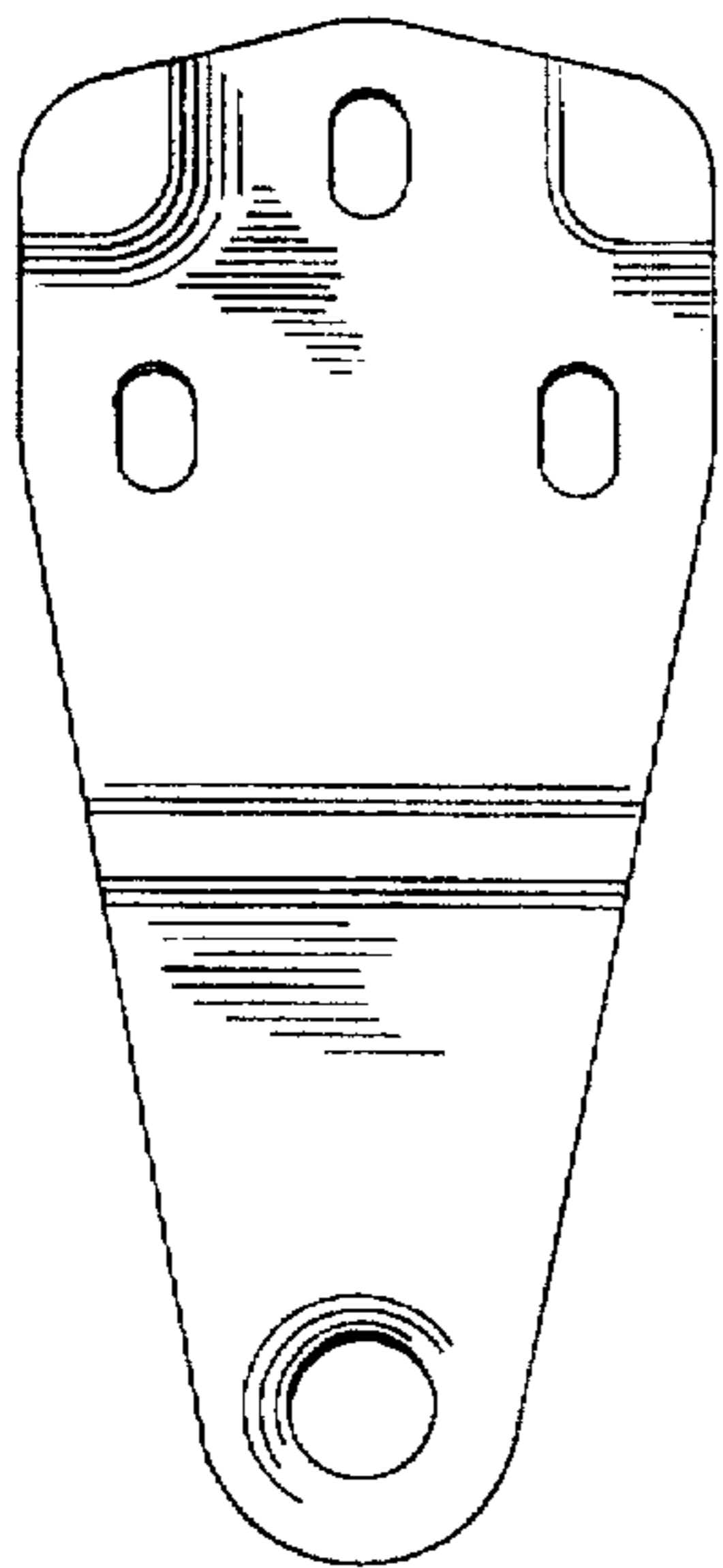


FIG. 8

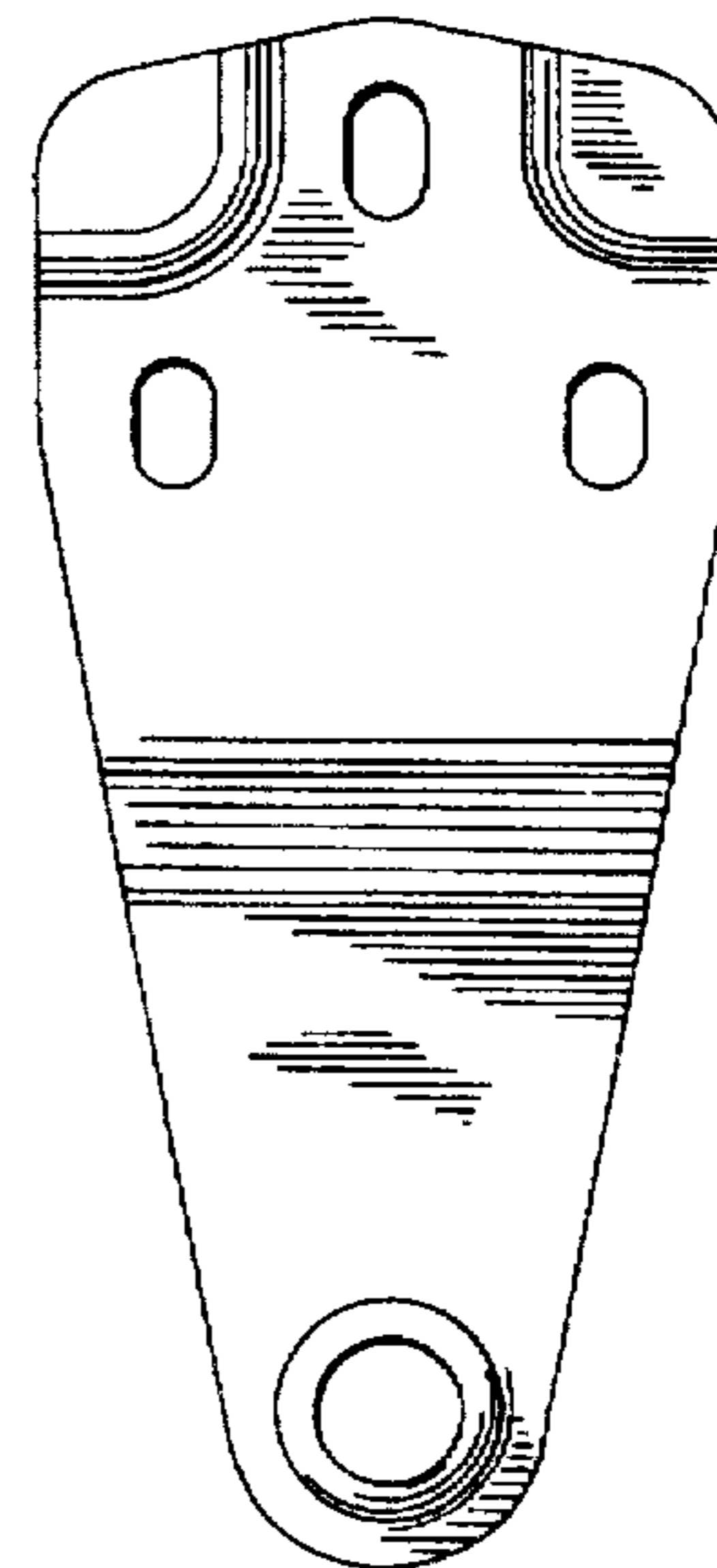


FIG. 9



FIG. 10

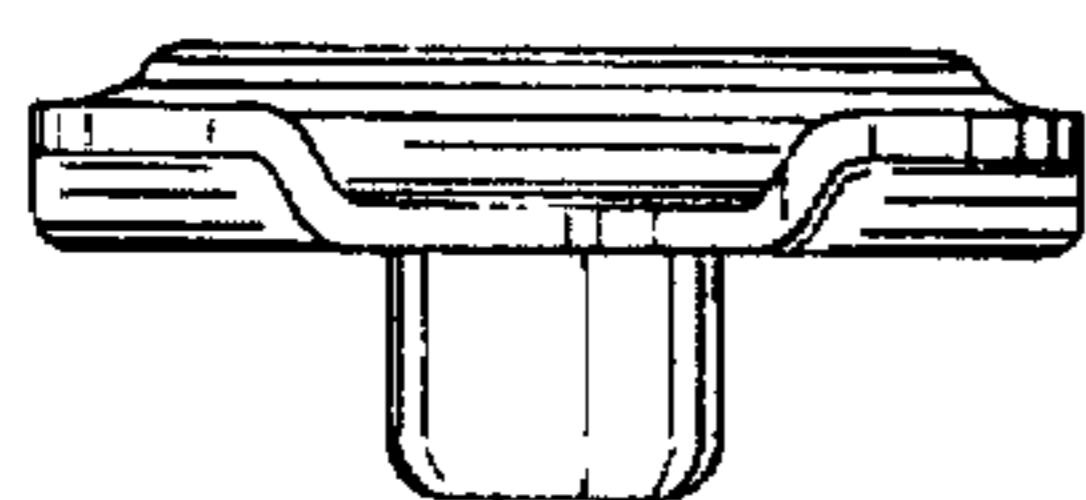


FIG. 11

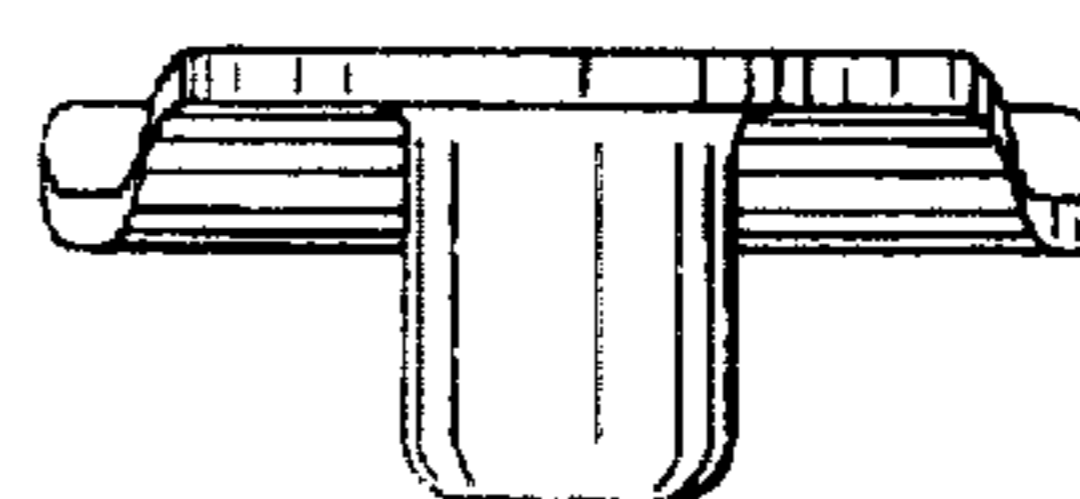


FIG. 12