



US00D396397S

United States Patent [19]

Swan

[11] Patent Number: **Des. 396,397**

[45] Date of Patent: ****Jul. 28, 1998**

[54] **LATCH APPARATUS**

[75] Inventor: **David A. Swan**, Shoreview, Minn.

[73] Assignee: **Hoffman Enclosures Inc.**, Anoka, Minn.

[**] Term: **14 Years**

[21] Appl. No.: **51,826**

[22] Filed: **Mar. 19, 1996**

[51] LOC (6) Cl. **08-07**

[52] U.S. Cl. **D8/331**

[58] Field of Search **D8/330-331, 336, D8/338, 341; 70/57, 63, 78, 99, 101, 141; 292/173, 175**

[56] **References Cited**

U.S. PATENT DOCUMENTS

D. 303,618	9/1989	Russell et al.	D8/331
D. 343,347	1/1994	Lau et al.	D8/331
3,743,336	7/1973	Andrews	292/173
4,365,831	12/1982	Bourne .	
4,548,435	10/1985	Bourne .	
4,693,503	9/1987	Bisbing .	
5,267,762	12/1993	Gromotka .	

OTHER PUBLICATIONS

Southco, Inc. Brochure pp. F-2—F-3 (no date) "Adjustable Lever Latch" and Sealed Lever Latch.

Hartwell Brochures pp. 3-5 (no date) "HTL 100 Trigger-Lock® Latch"; HTL 80's Basic Latches, No Locking Mechanisms; and HTL 90's Latches with Keyed Locks.

Primary Examiner—Brian N. Vinson

Attorney, Agent, or Firm—Merchant, Gould, Smith, Edell, Welter & Schmidt

[57] **CLAIM**

The ornamental design for a latch apparatus, as shown and described.

DESCRIPTION

FIG. 1 shows a perspective view of a first embodiment of a latch apparatus according to the principles of the present invention;

FIG. 2 shows a front elevational view thereof, a rear elevational view is not being shown as it is devoid of ornamentation;

FIG. 3 shows a right side elevational view thereof, a left side elevational view is not being shown as it is a mirror image of the right side elevational view;

FIG. 4 shows a top plan view thereof;

FIG. 5 shows a bottom plan view thereof;

FIG. 6 shows a right side elevational view thereof in an open position;

FIG. 7 shows a perspective view of a second embodiment of a latch apparatus according to the principles of the present invention;

FIG. 8 shows a front elevational view thereof, a rear elevational view not being shown as it is devoid of ornamentation;

FIG. 9 shows a right side elevational view thereof, a left side elevational view not being shown as it is a mirror image of the right side elevational view;

FIG. 10 shows a top plan view thereof;

FIG. 11 shows a bottom plan view thereof; and,

FIG. 12 shows a right side elevational view thereof in an open position.

1 Claim, 4 Drawing Sheets

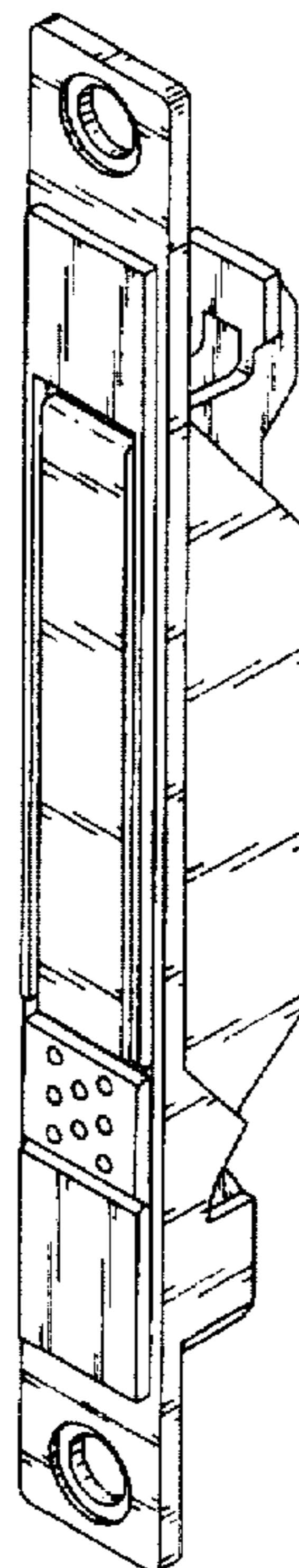
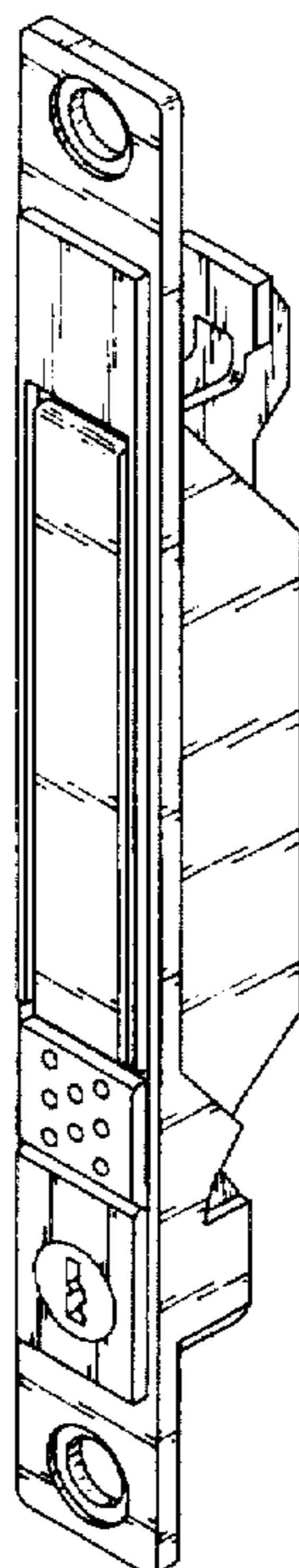


FIG. 1

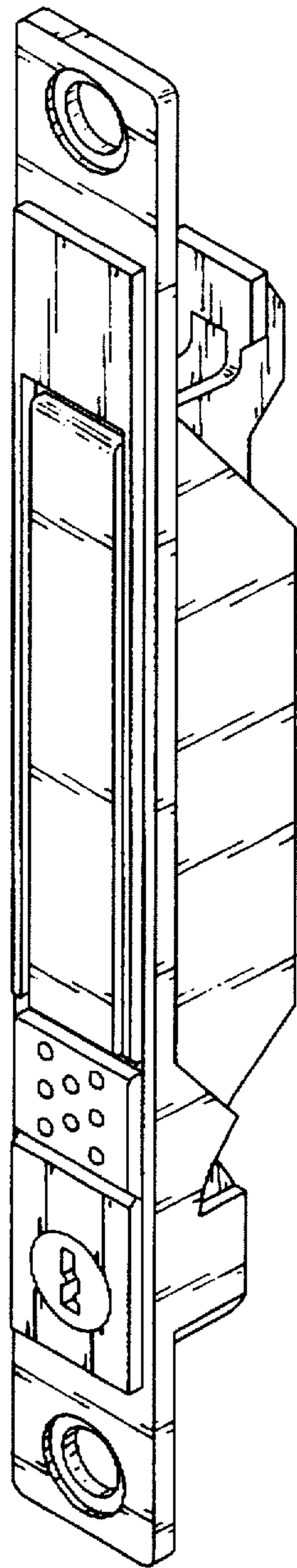


FIG. 2

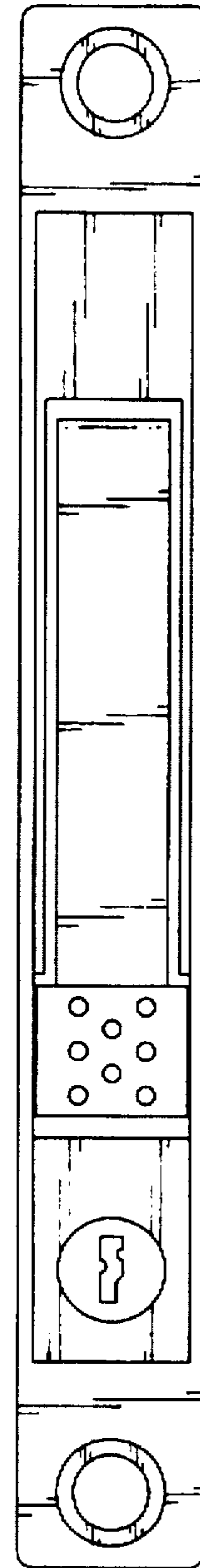


FIG. 3

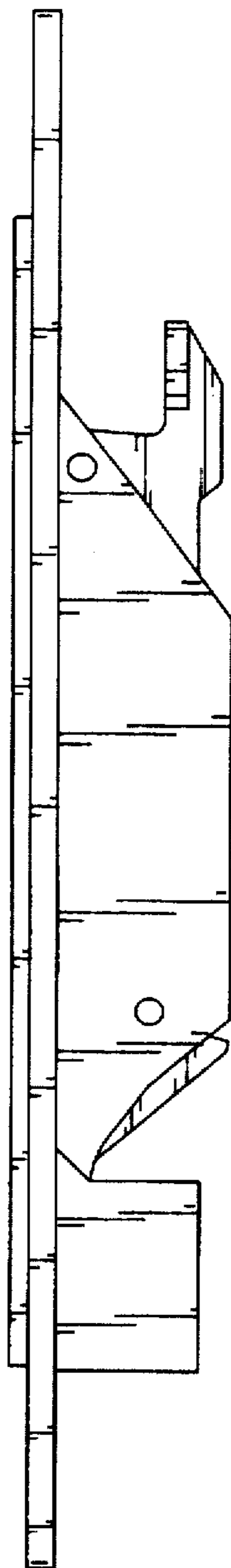


FIG. 6

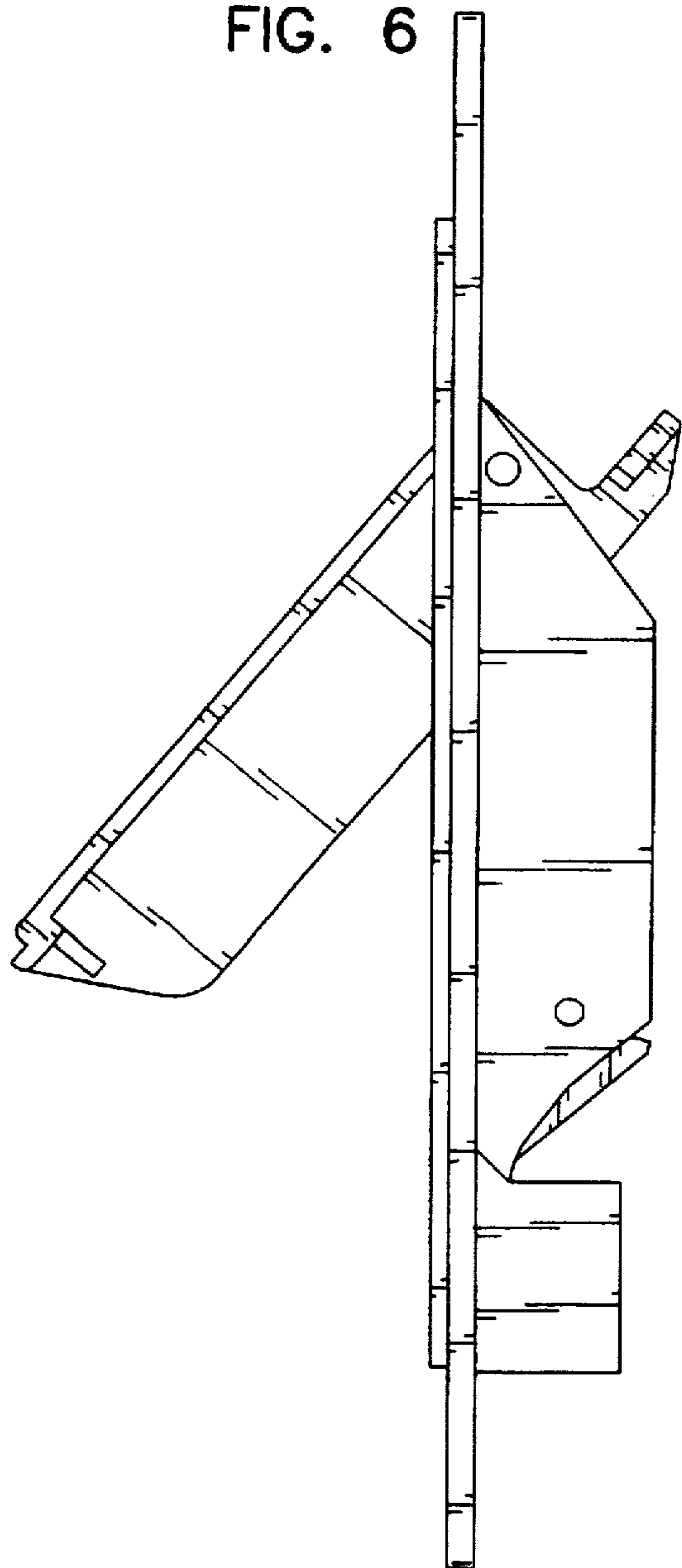


FIG. 4

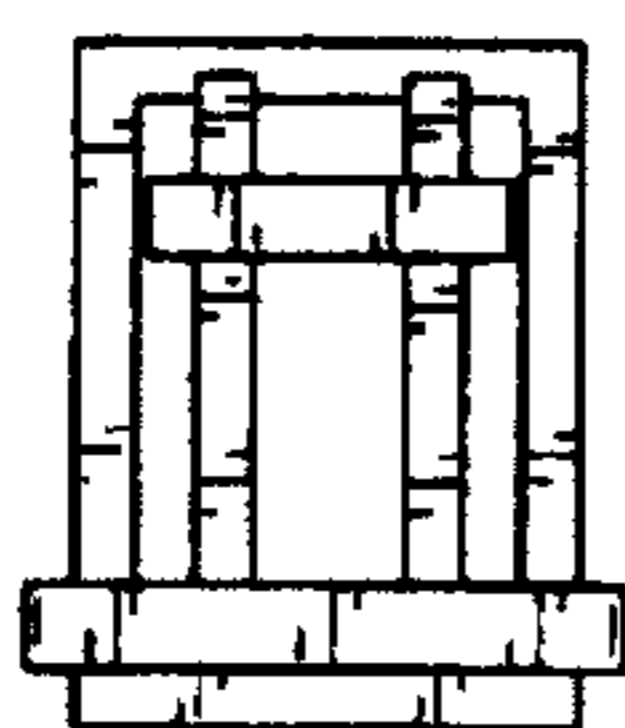


FIG. 5

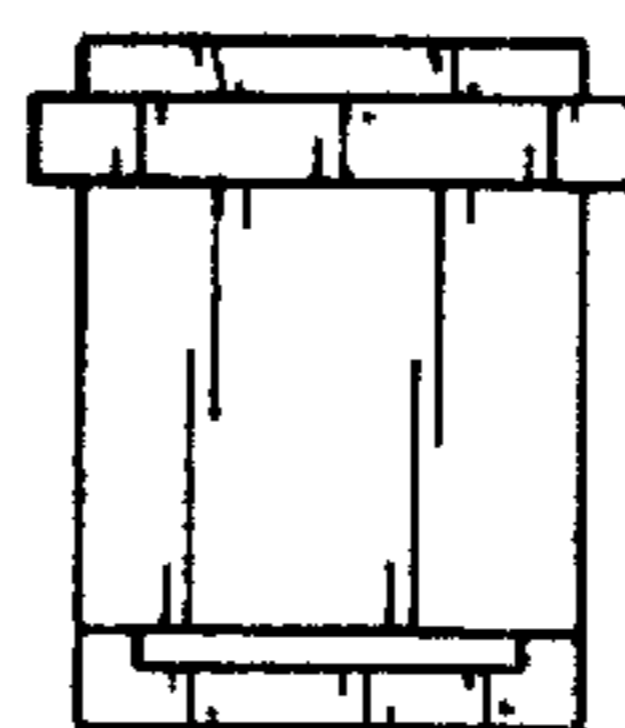


FIG. 7

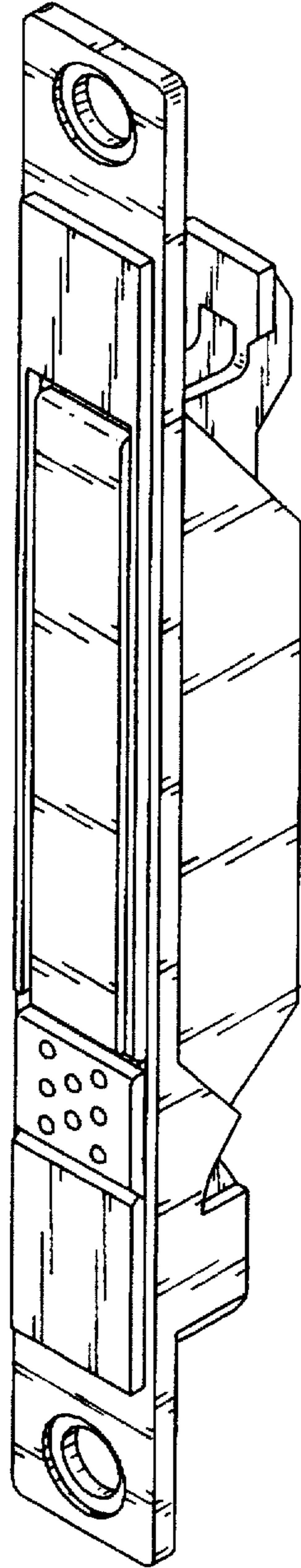


FIG. 8

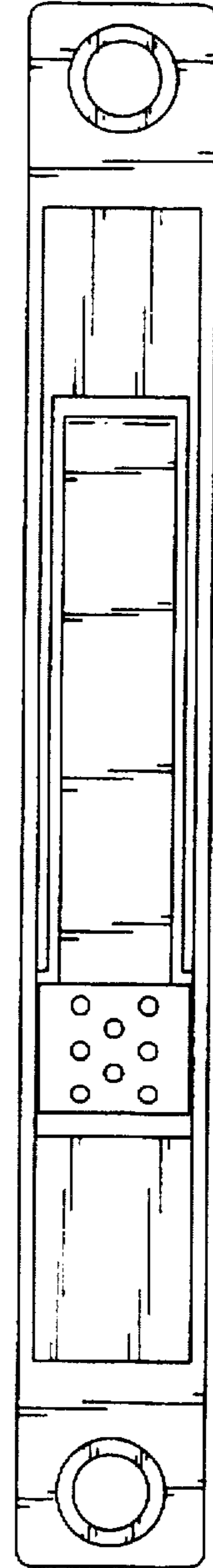


FIG. 9

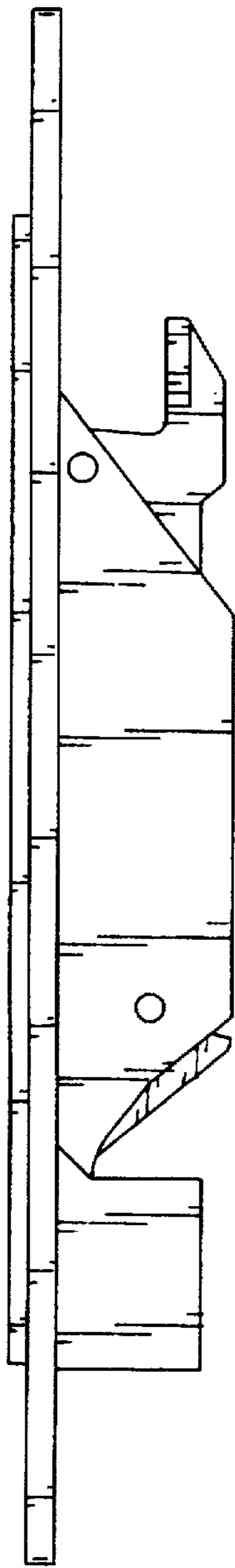


FIG. 12

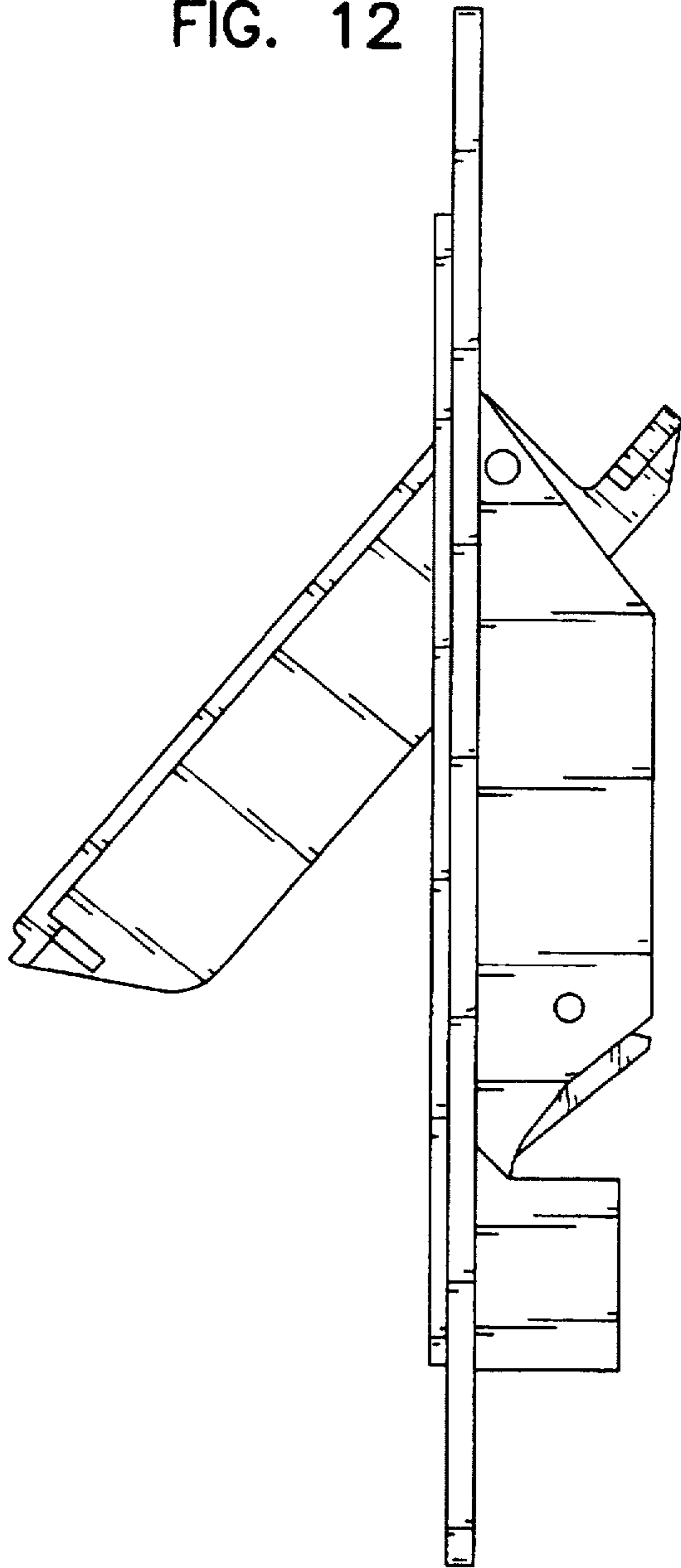


FIG. 10

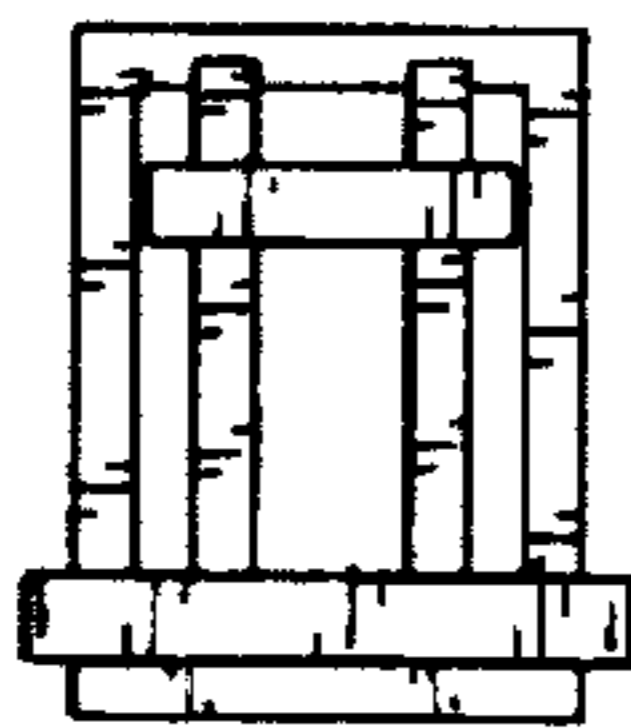


FIG. 11

