

US00D396395S

**United States Patent** [19]  
**Zurwelle**

[11] **Patent Number: Des. 396,395**  
[45] **Date of Patent: \*\*Jul. 28, 1998**

[54] **DRILL**

[75] **Inventor: Donald W. Zurwelle, Lutherville, Md.**

[73] **Assignee: Black & Decker Inc., Newark, Del.**

[\*\*] **Term: 14 Years**

[21] **Appl. No.: 67,183**

[22] **Filed: Feb. 28, 1997**

[51] **LOC (6) Cl. .... 08-01**

[52] **U.S. Cl. .... D8/68**

[58] **Field of Search** ..... D8/61, 68, 69;  
81/54, 57.11, 57.13, 57.14, 177.4; 173/170,  
178; 239/525-528, 589; 408/77, 88, 103,  
124, 123

[56] **References Cited**

**U.S. PATENT DOCUMENTS**

D. 280,797	10/1985	Sakamoto et al. ....	D8/61 X
D. 280,883	10/1985	Sakamoto et al. ....	D8/61 X
D. 304,287	10/1989	Zurwelle .	
D. 316,021	4/1991	Bunyea .....	D8/68
D. 319,763	9/1991	Reiferscheid .....	D8/68
D. 325,861	5/1992	Saito et al. .	
D. 328,411	8/1992	Cavedo .	
D. 337,710	7/1993	Liu et al. .	
D. 337,711	7/1993	Ogawa et al. .	
D. 339,727	9/1993	Kikuchi .....	D8/68
D. 344,000	2/1994	Shibata et al. .	

D. 353,526 12/1994 Hoshino .

**OTHER PUBLICATIONS**

Black & Decker 1994 Catalog (Industry & Construction), p. 28 (Model 1166—Drill).  
Bosch 1995 Catalog, p. 7 (Model No. 1024VSR—Drill).  
Makita 1993 Catalog, p. 63 (Model No. 6501—Drill).  
Milwaukee 1995 Electric Tools Catalog 195 (For Contractors and Industry, p. 12 (Model No. 0227-1—Drill).  
Porter Cable 1994 Catalog, p. 53 (Model No. 2601—Drill).  
Skil Heavy Duty 1995 catalog, p. 39 (Model No. 6345:44—Drill).

*Primary Examiner*—Antoine Duval Davis  
*Attorney, Agent, or Firm*—Dennis A. Dearing; John D. Del Ponti; Charles E. Yocum

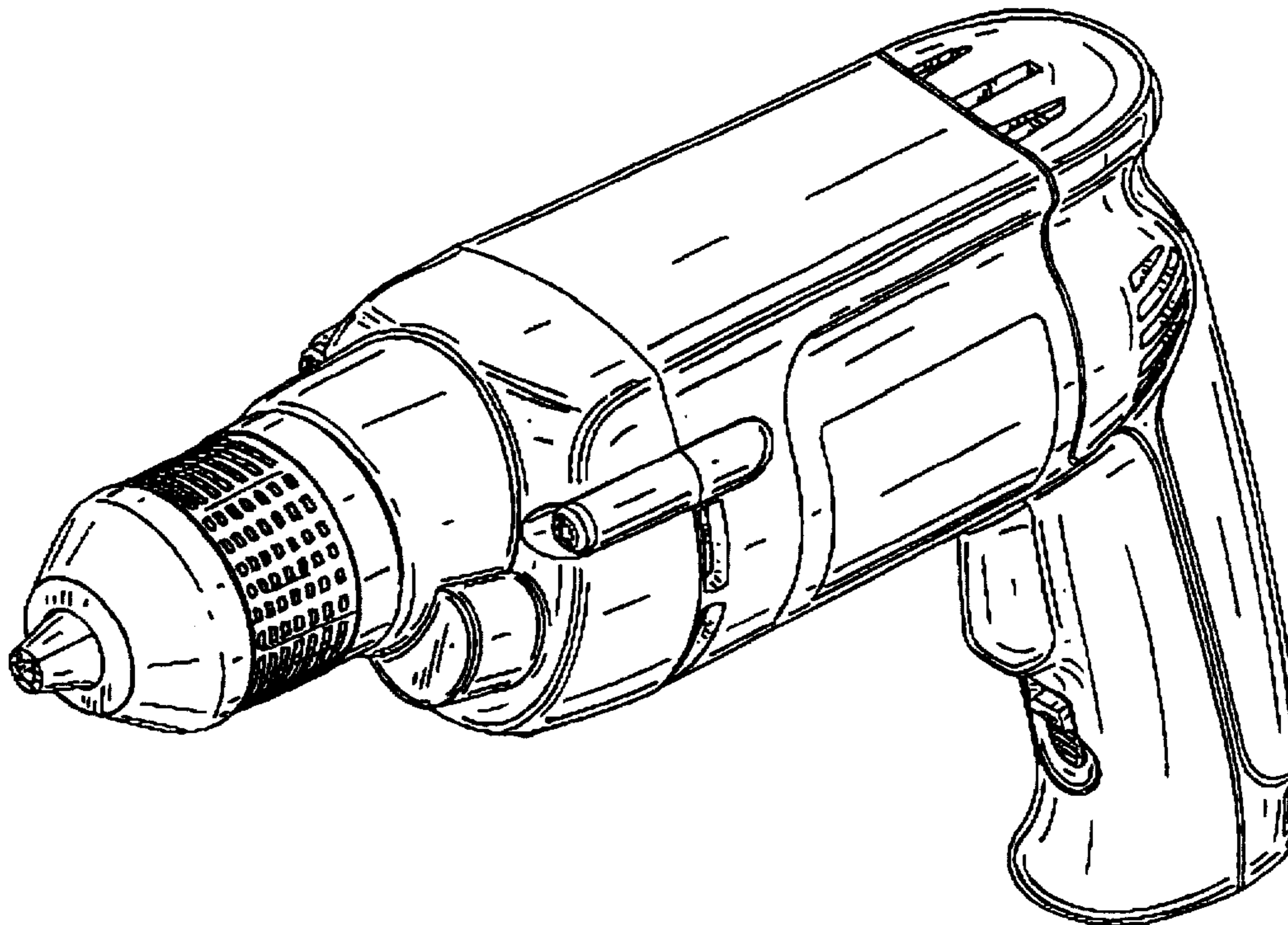
[57] **CLAIM**

The ornamental design for a drill, as shown and described.

**DESCRIPTION**

FIG. 1 is a front perspective view of a drill showing my new design;  
FIG. 2 is a right side elevational view thereof;  
FIG. 3 is a left side elevational view thereof;  
FIG. 4 is a top plan view thereof;  
FIG. 5 is a bottom plan view thereof;  
FIG. 6 is a front elevational view thereof; and,  
FIG. 7 is a rear elevational view thereof.

**1 Claim, 5 Drawing Sheets**



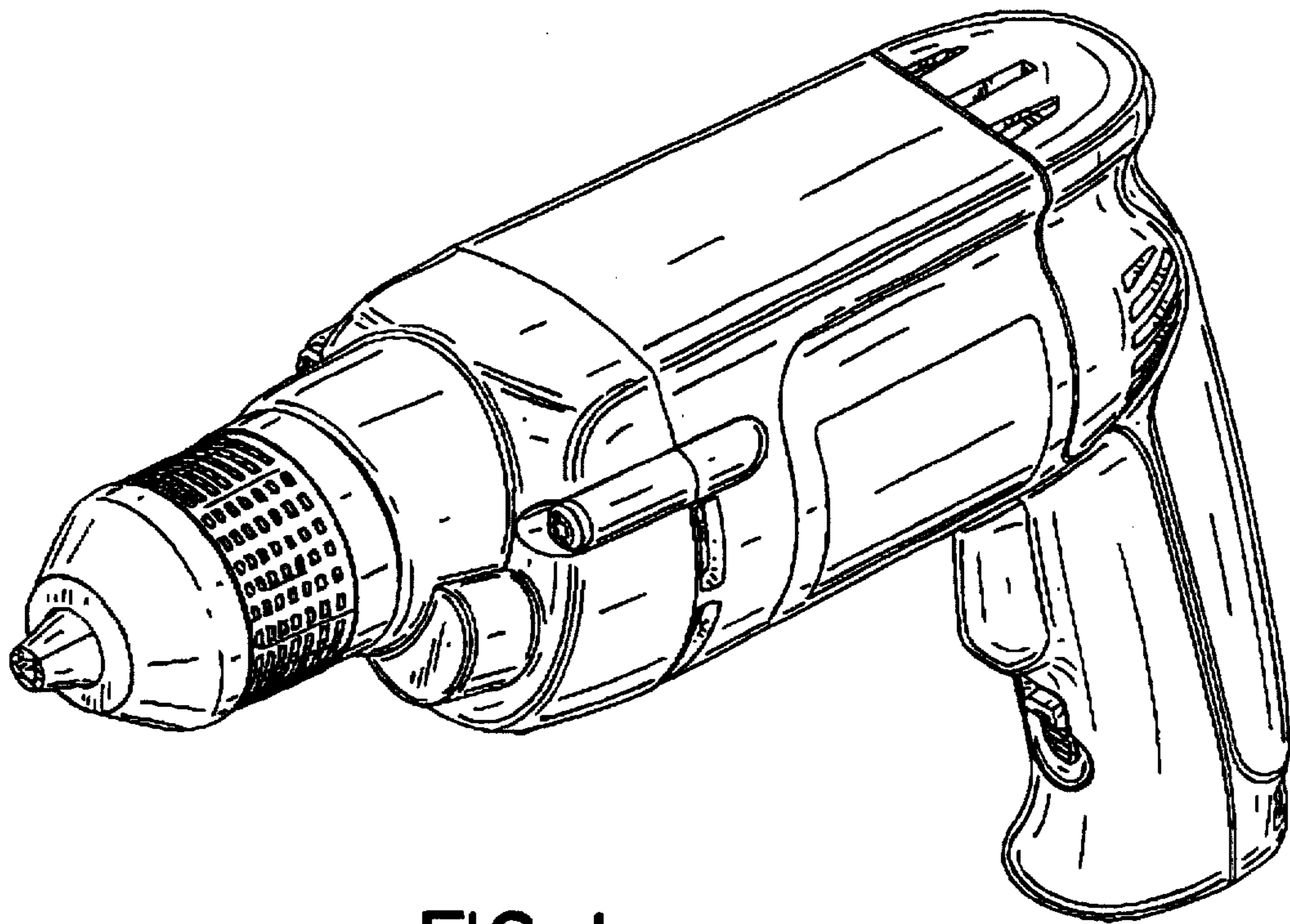


FIG. 1

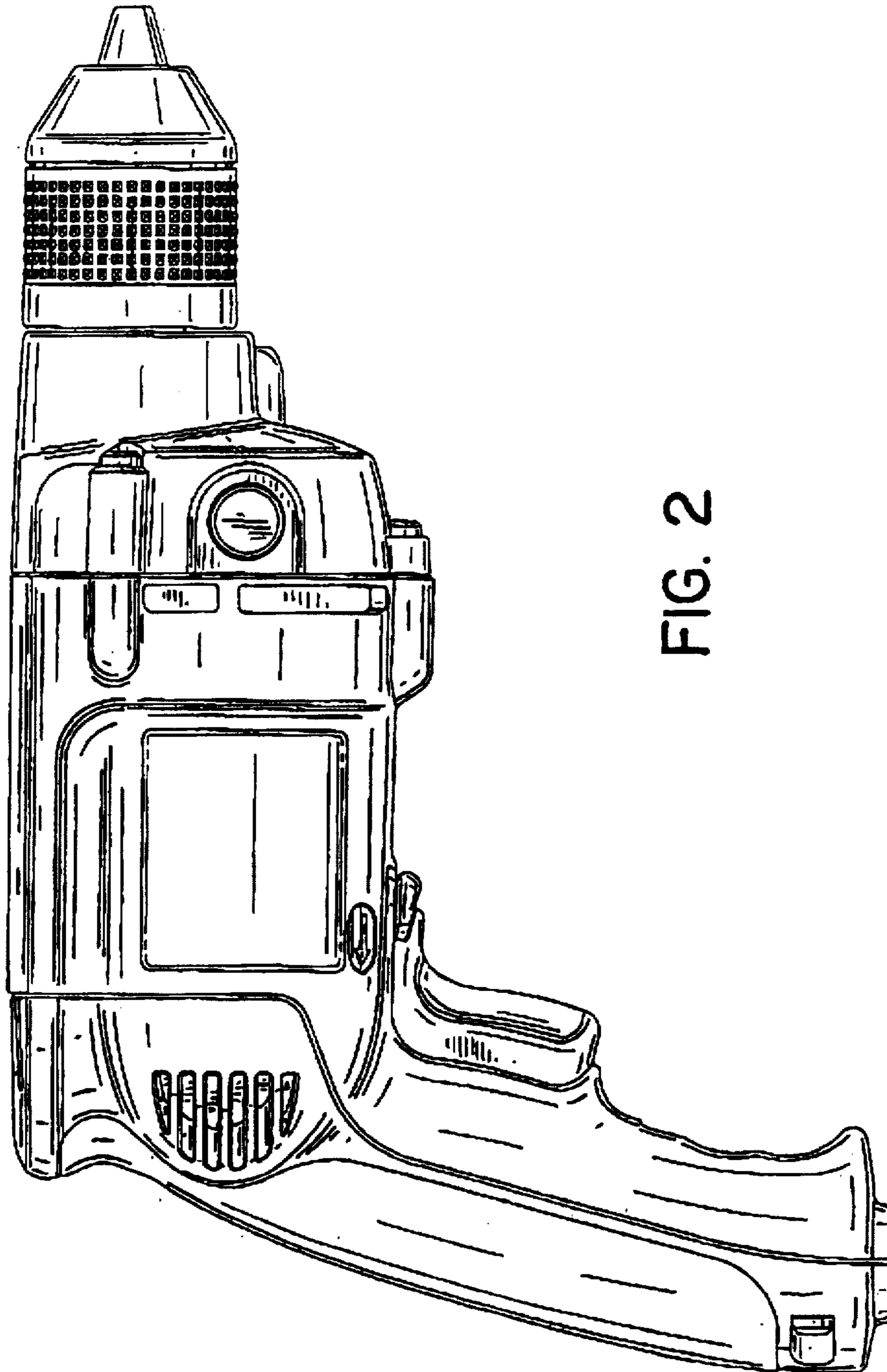


FIG. 2

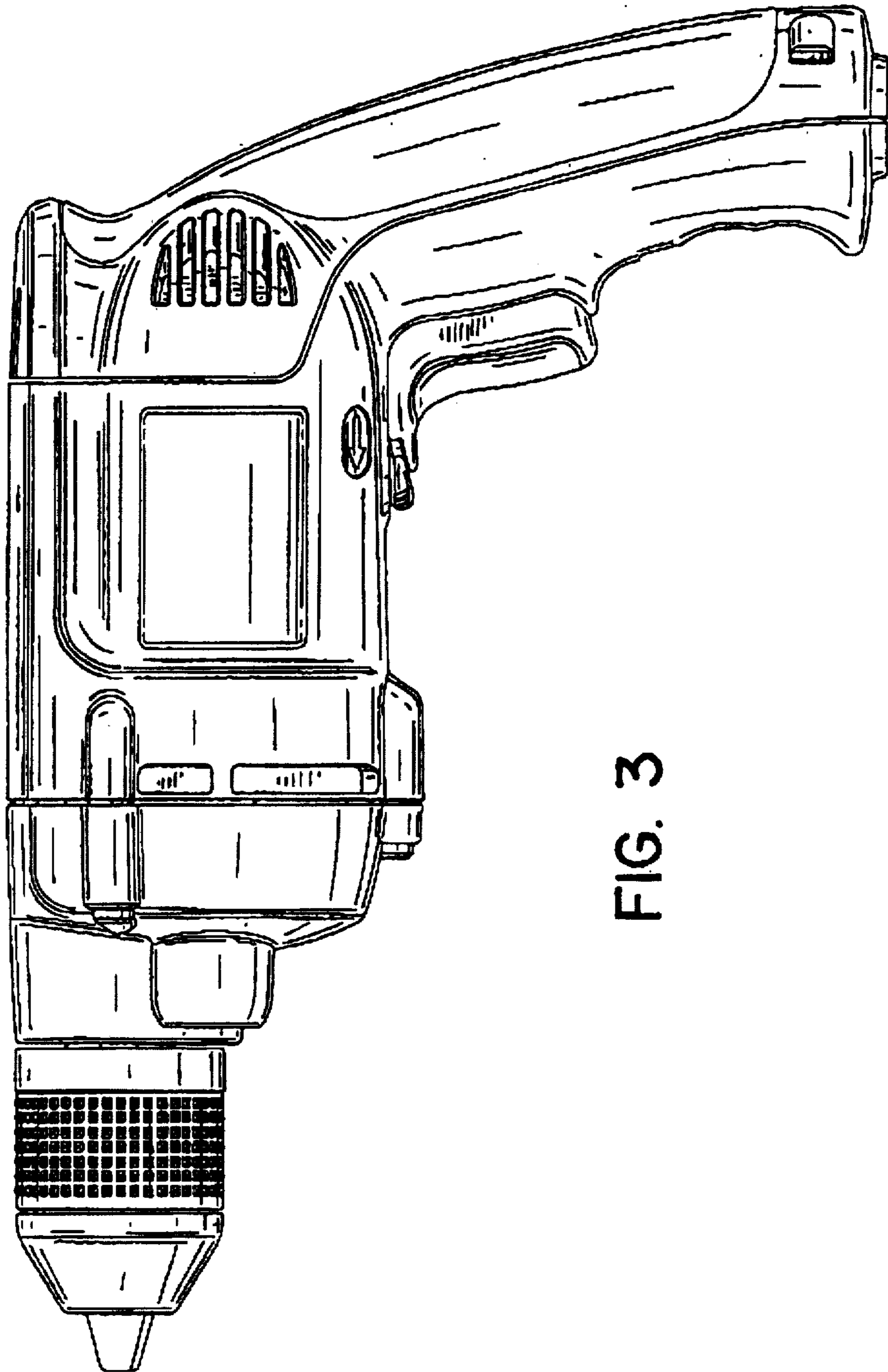


FIG. 3

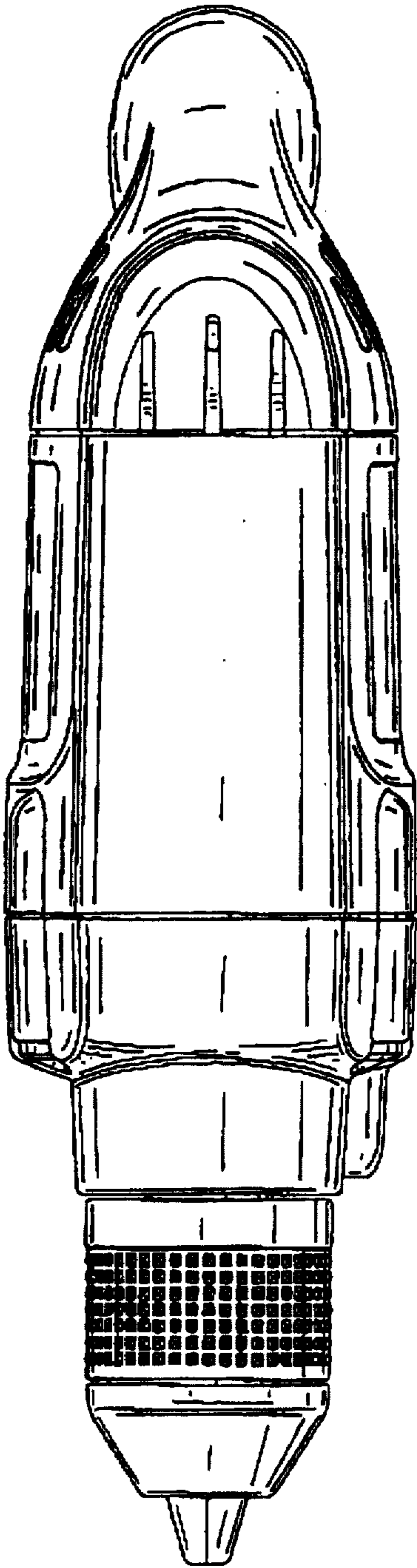


FIG. 4

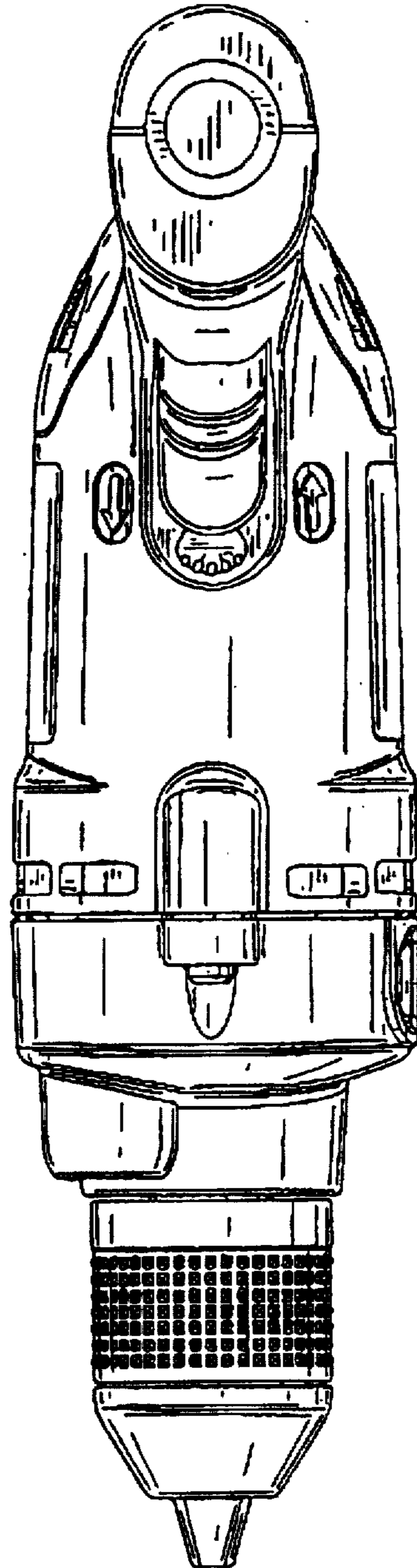


FIG. 5

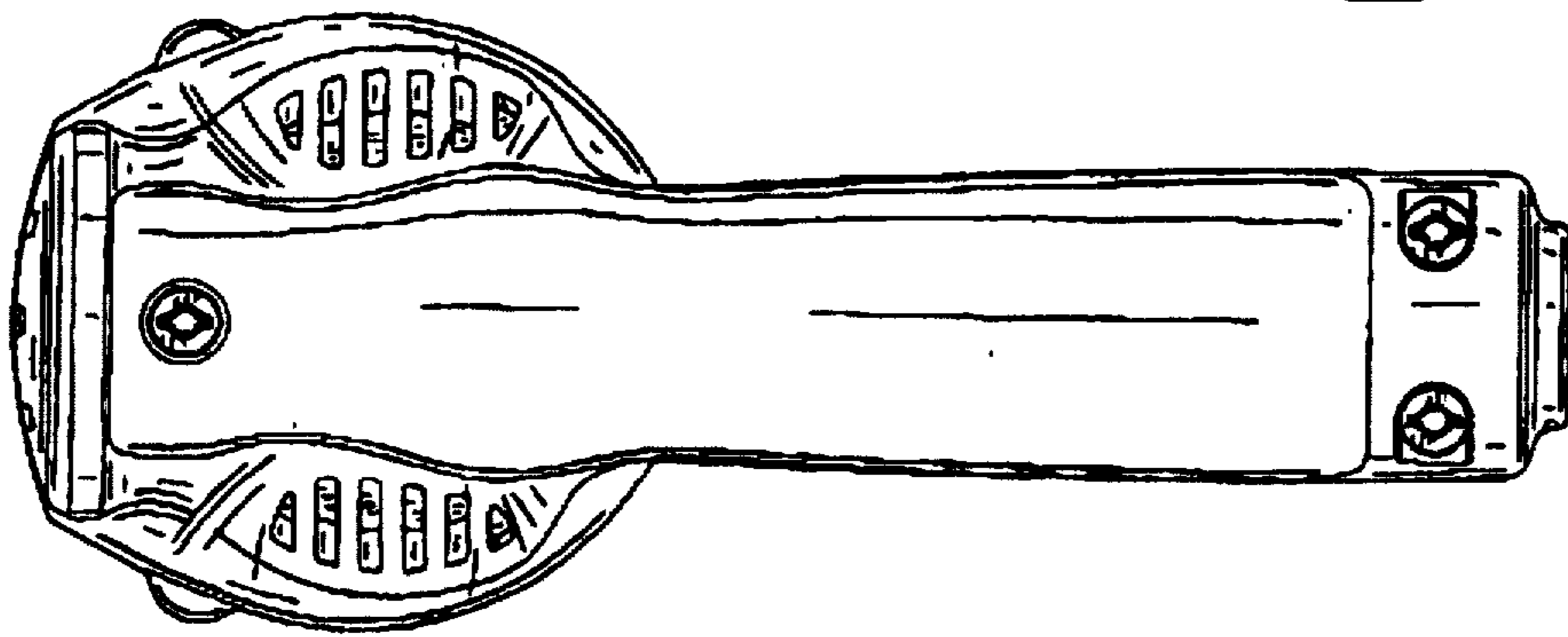


FIG. 7

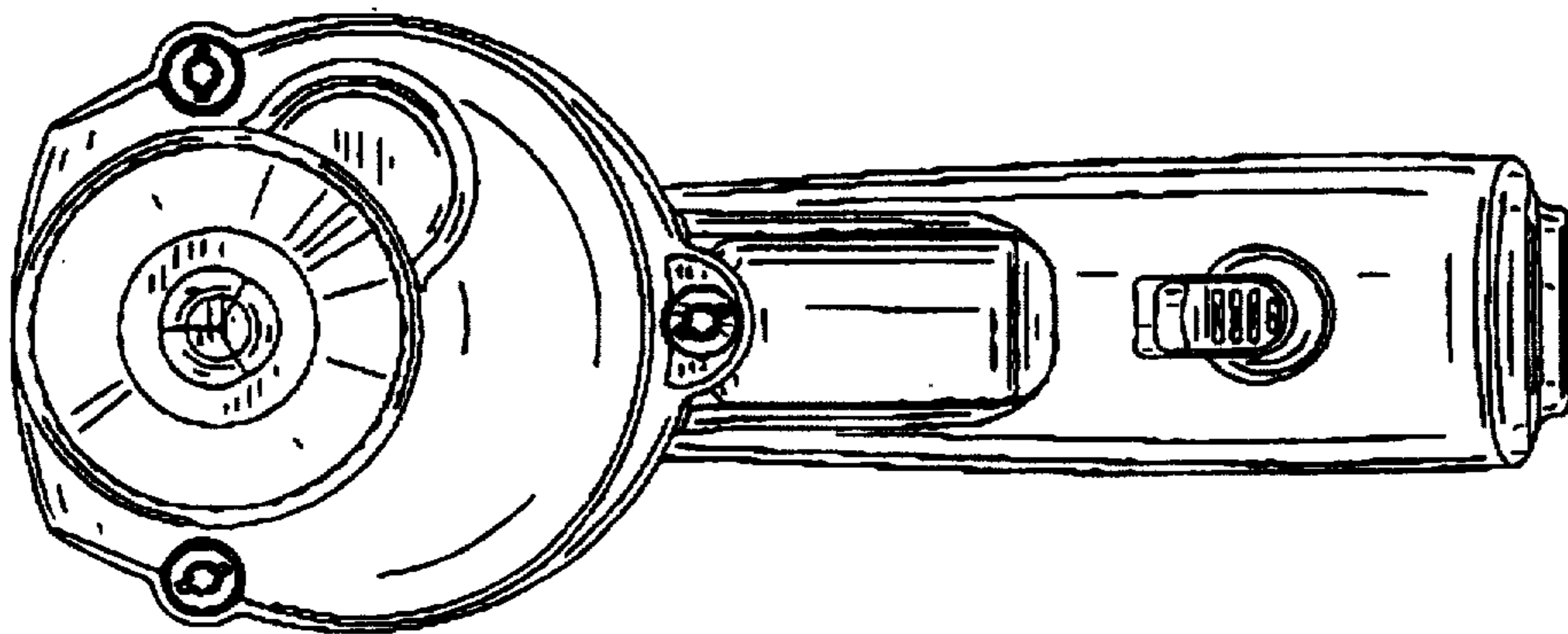


FIG. 6