



US00D396392S

United States Patent [19]
Moskalik

[11] **Patent Number: Des. 396,392**
[45] **Date of Patent: **Jul. 28, 1998**

[54] **MANUAL MANIPULATOR**
[75] **Inventor: Stephen L. Moskalik, Plainwell, Mich.**
[73] **Assignee: TDA Buddy, Inc., Kalamazoo, Mich.**
[**] **Term: 14 Years**

Attorney, Agent, or Firm—Flynn, Thiel, Boutell & Tanis, P.C.

[21] **Appl. No.: 76,527**
[22] **Filed: Sep. 12, 1997**

[57] **CLAIM**
The ornamental design of a manual manipulator, as shown and described.

Related U.S. Application Data

DESCRIPTION

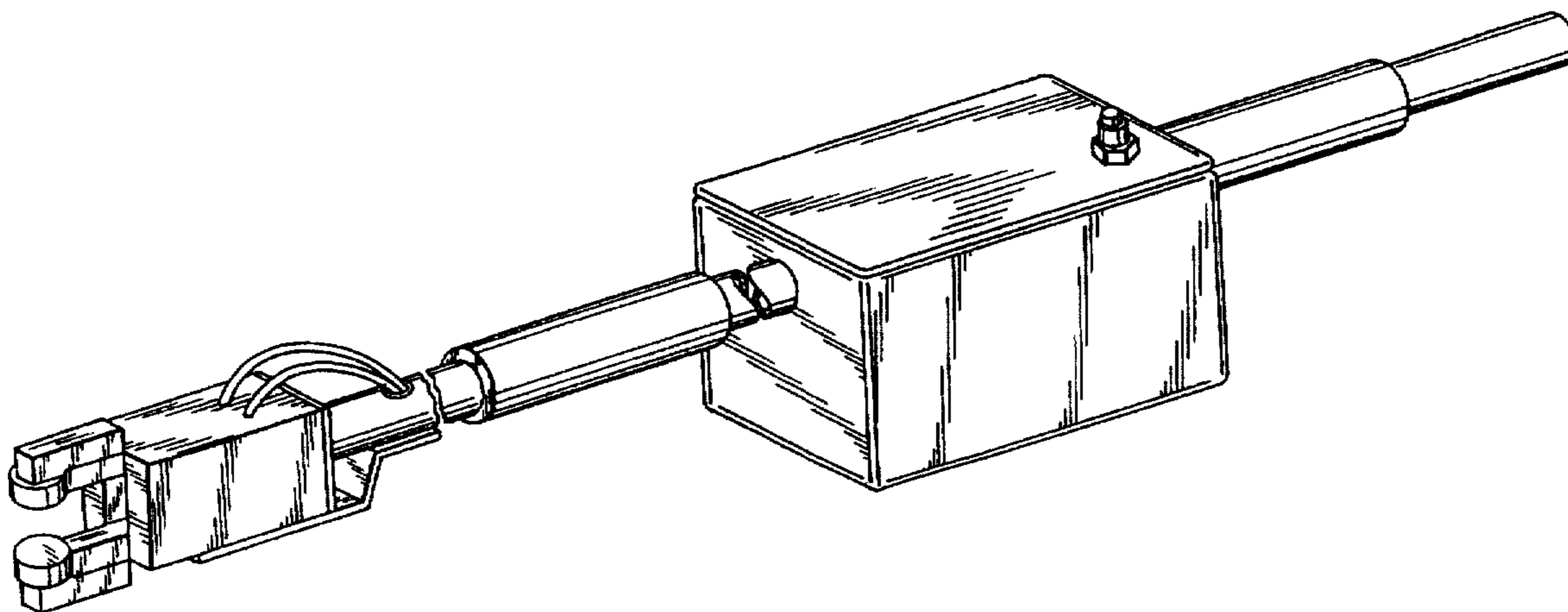
[62] **Division of Ser. No. 55,462, Jun. 4, 1996, Pat. No. Des. 390,077.**
[51] **LOC (6) Cl. 08-05**
[52] **U.S. Cl. D8/14**
[58] **Field of Search D8/14; 294/64.2, 294/88, 106-120, 1.4**

FIG. 1 is a top front right isometric view showing a first embodiment of the manual manipulator of my design; FIG. 2 is a right side elevational view thereof, the left side elevational view being identical thereto; FIG. 3 is a top plan view thereof; FIG. 4 is a bottom plan view thereof; FIG. 5 is a front elevational view thereof; FIG. 6 is a rear elevational view thereof; FIG. 7 is a top front right perspective view showing a second embodiment of the manual manipulator of my design; FIG. 8 is a right side elevational view thereof similar to FIG. 2, the left side elevational view being identical thereto; FIG. 9 is a top plan view thereof identical to FIG. 3; FIG. 10 is a bottom plan view thereof identical to FIG. 4; FIG. 11 is a front elevational view thereof similar to FIG. 5; and, FIG. 12 is a rear elevational view thereof similar to FIG. 6.

[56] **References Cited**
U.S. PATENT DOCUMENTS
D. 373,713 9/1996 Coe D8/14
5,380,054 1/1995 Galvis 294/1.4

Primary Examiner—Antoine Duval Davis

1 Claim, 6 Drawing Sheets



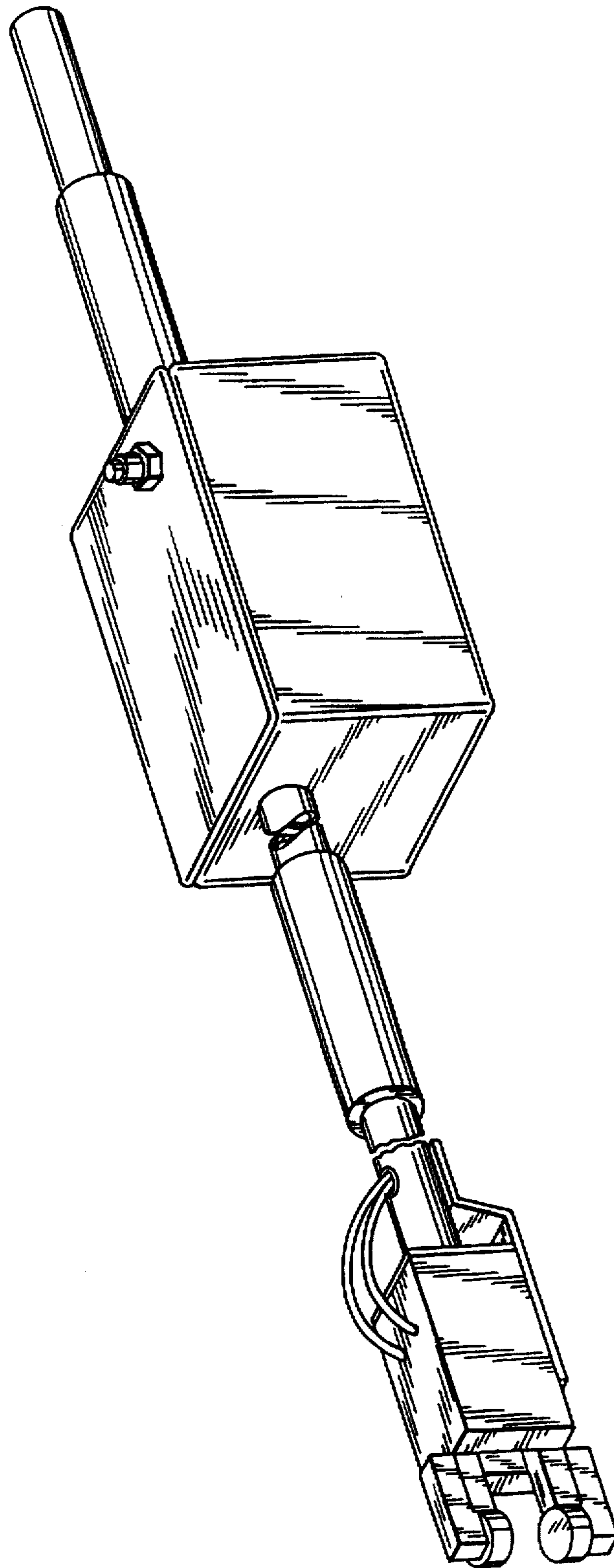


FIG. 1

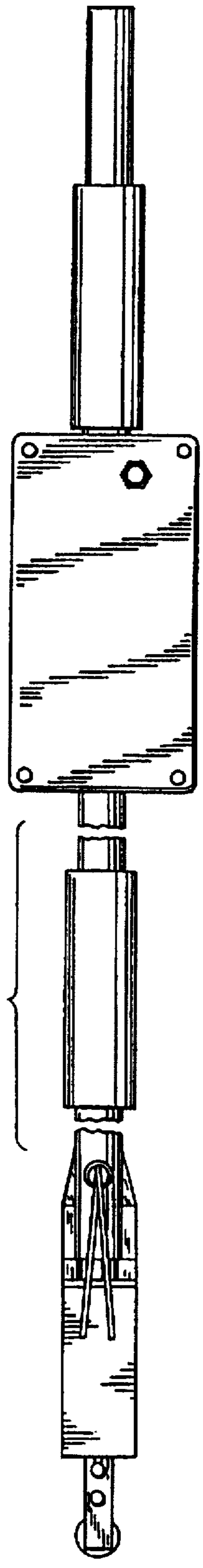


FIG. 3

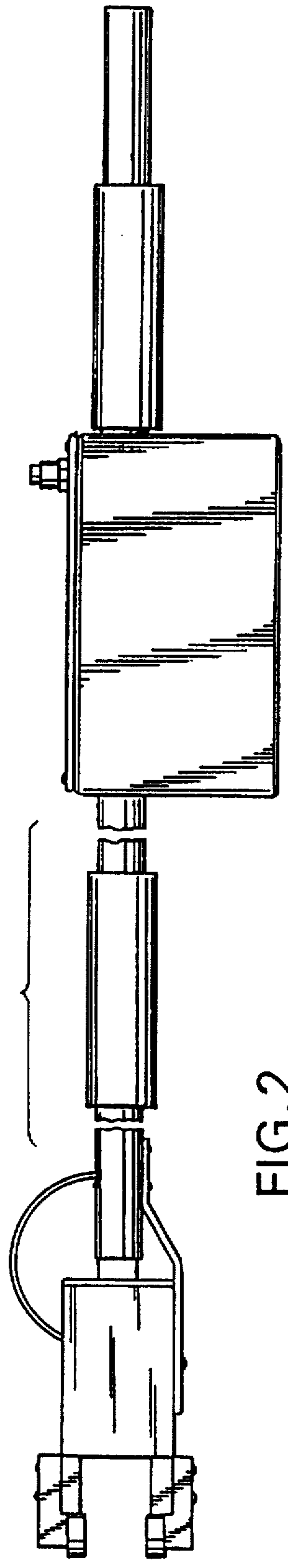


FIG. 2

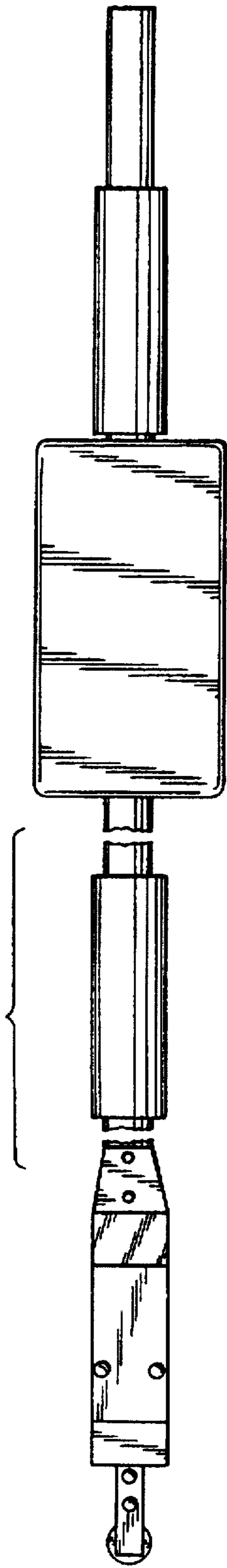


FIG. 4

FIG. 6

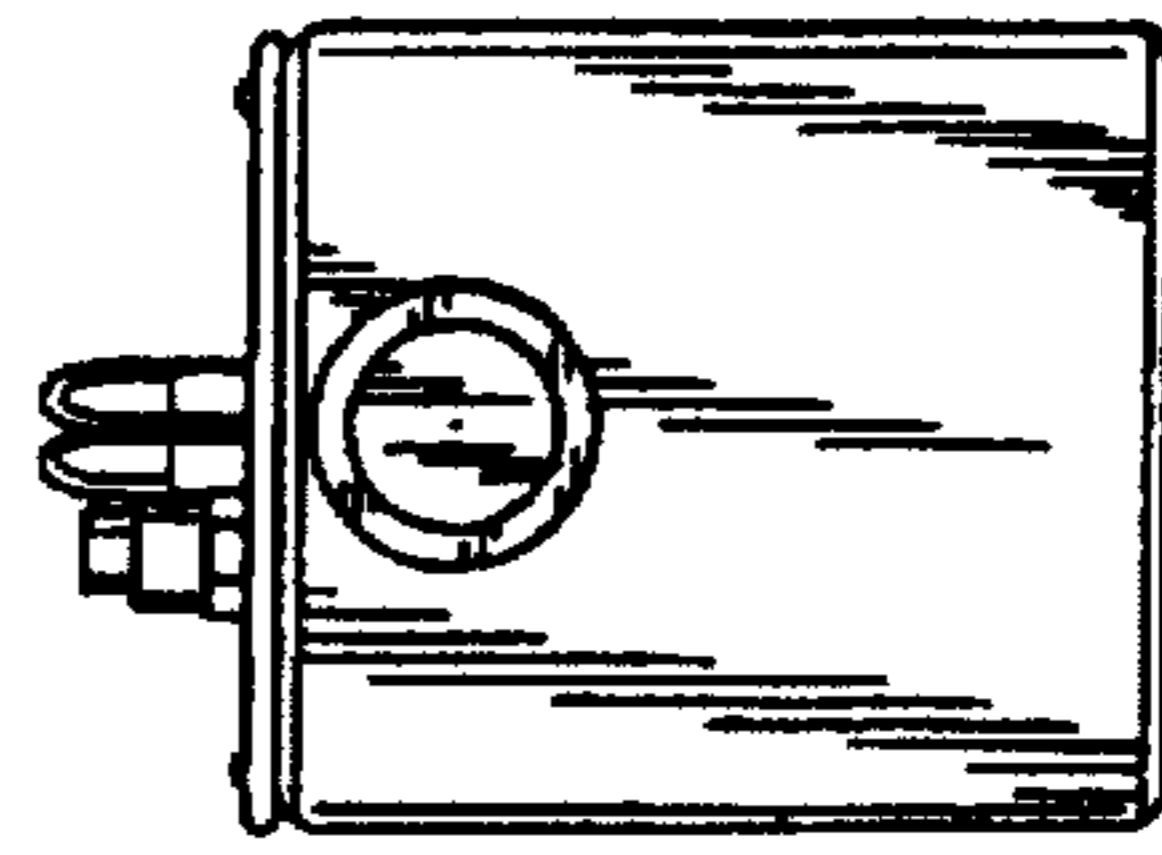
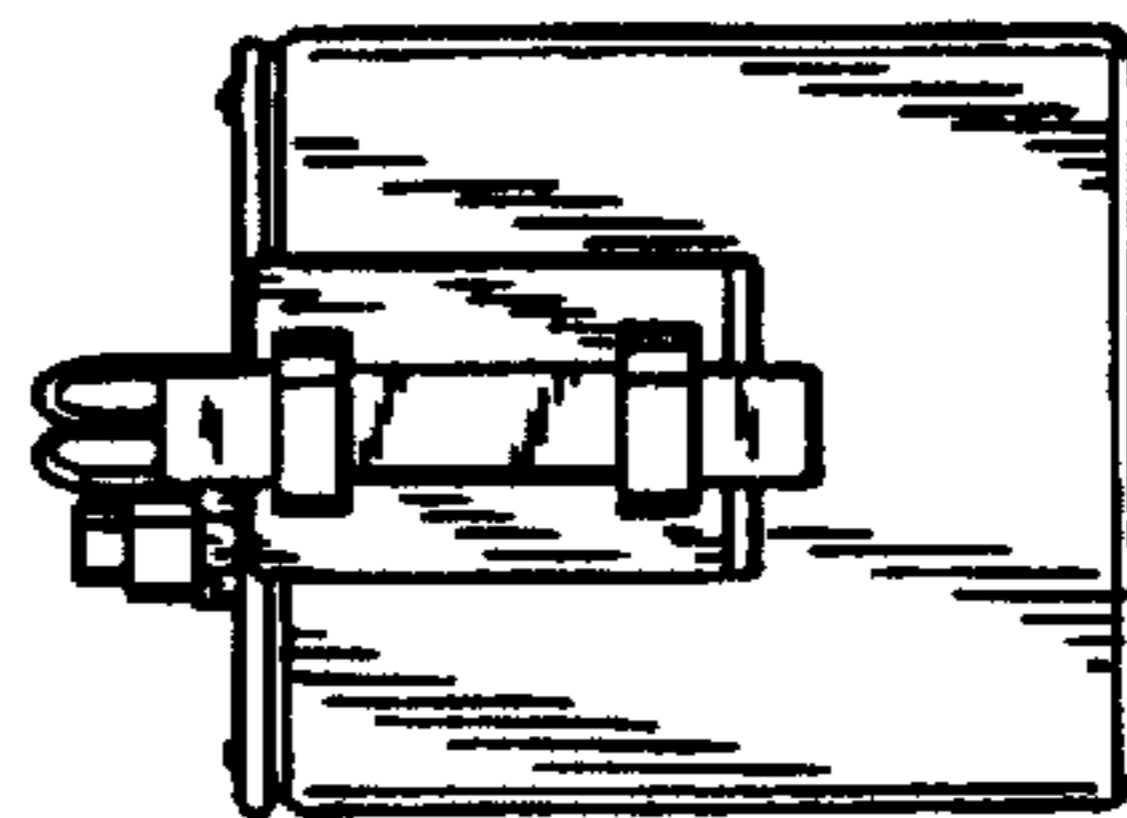


FIG. 5



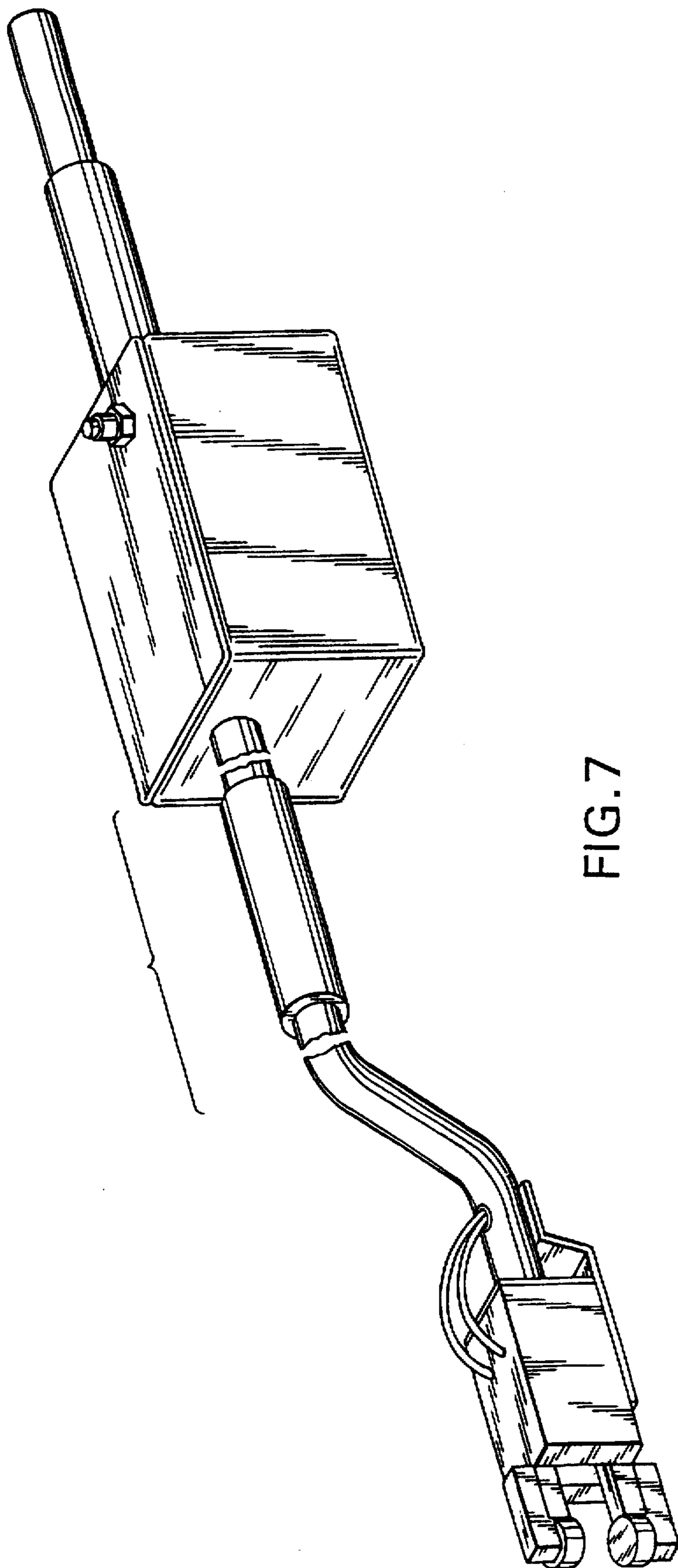


FIG. 7

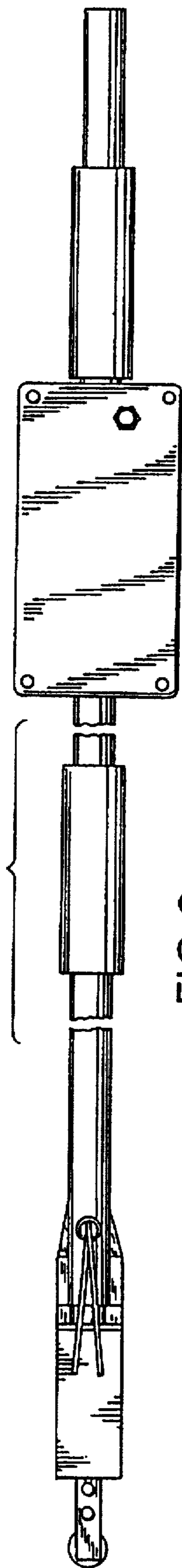


FIG. 9

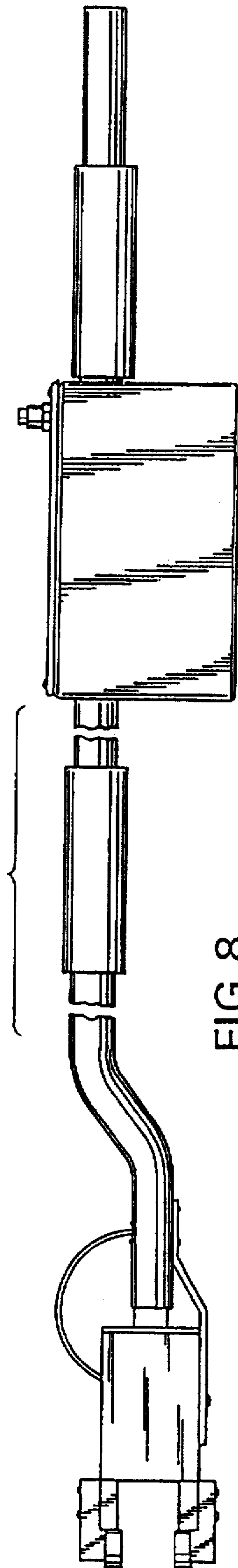


FIG. 8

