



US00D396375S

United States Patent [19]
Hamada

[11] **Patent Number:** **Des. 396,375**
[45] **Date of Patent:** ****Jul. 28, 1998**

[54] **PLATE-LIKE ARTICLE HOLDER**

DESCRIPTION

[75] **Inventor:** **Katsutoshi Hamada, Osaka, Japan**

[73] **Assignee:** **Elecom Kabushiki Kaisha, Osaka, Japan**

[**] **Term:** **14 Years**

[21] **Appl. No.:** **57,256**

[22] **Filed:** **Jul. 22, 1996**

[30] **Foreign Application Priority Data**

Jan. 30, 1996 [JP] Japan 8-2338
Jan. 30, 1996 [JP] Japan 8-2339

[51] **LOC (6) Cl.** **06-04**

[52] **U.S. Cl.** **D6/630; D6/468**

[58] **Field of Search** **D6/407, 626-635, D6/467, 468, 429-431; 211/40, 41.1, 41.4, 41.12; D32/58, 55-57; D21/54; D19/90, 92; 206/387.1, 387.15, 307.1, 308.3, 308.1, 313, 425, 310**

[56] **References Cited**

U.S. PATENT DOCUMENTS

D. 142,498 10/1945 Salinger D6/468
D. 205,184 7/1966 Johnson D6/407
D. 260,339 8/1981 Yoshizawa D6/429
D. 260,467 9/1981 Rhine D6/468 X
3,623,601 11/1971 Okutani 211/40 X
3,682,083 8/1972 Puente 211/41 X
5,379,906 1/1995 Levin et al. 211/195

Primary Examiner—Jeffrey Asch
Attorney, Agent, or Firm—Jordan and Hamburg

[57] **CLAIM**

The ornamental design for plate-like article holder, as shown and described.

FIG. 1 is a front-top perspective view of a first embodiment of a plate-like article holder of my new design;
FIG. 2 is a rear-bottom perspective view of the plate-like article holder of FIG. 1;
FIG. 3 is a front-top perspective view of a second embodiment of the plate-like article holder of my new design showing its use in a first environment;
FIG. 4 is a rear-bottom perspective view of the plate-like article holder of FIG. 3;
FIG. 5 is a front-top perspective view of the second embodiment of the plate-like article holder showing its use in a second environment;
FIG. 6 is a rear-bottom perspective view of the plate-like article holder of FIG. 5;
FIG. 7 is a front-top perspective view of the second embodiment of the plate-like article holder showing its use in a third environment;
FIG. 8 is a rear-bottom perspective view of the plate-like article holder of FIG. 7;
FIG. 9 is a front-top perspective view of the second embodiment of the plate-like article holder showing its use in a fourth environment;
FIG. 10 is a rear-top perspective view of the plate-like article holder of FIG. 9;
FIG. 11 is a front-top perspective view of the second embodiment of the plate-like article holder showing its use in a fifth environment; and,
FIG. 12 is a rear-bottom perspective view of the plate-like article holder of FIG. 11.
The broken line showings of FIGS. 1 to 12 are for illustrative purposes only and form no part of the claimed design.
The portions of the article in the second embodiment of FIGS. 3 to 12 which are obscured in all of FIGS. 3 to 12 are not considered to be a part of the claimed invention.

1 Claim, 12 Drawing Sheets

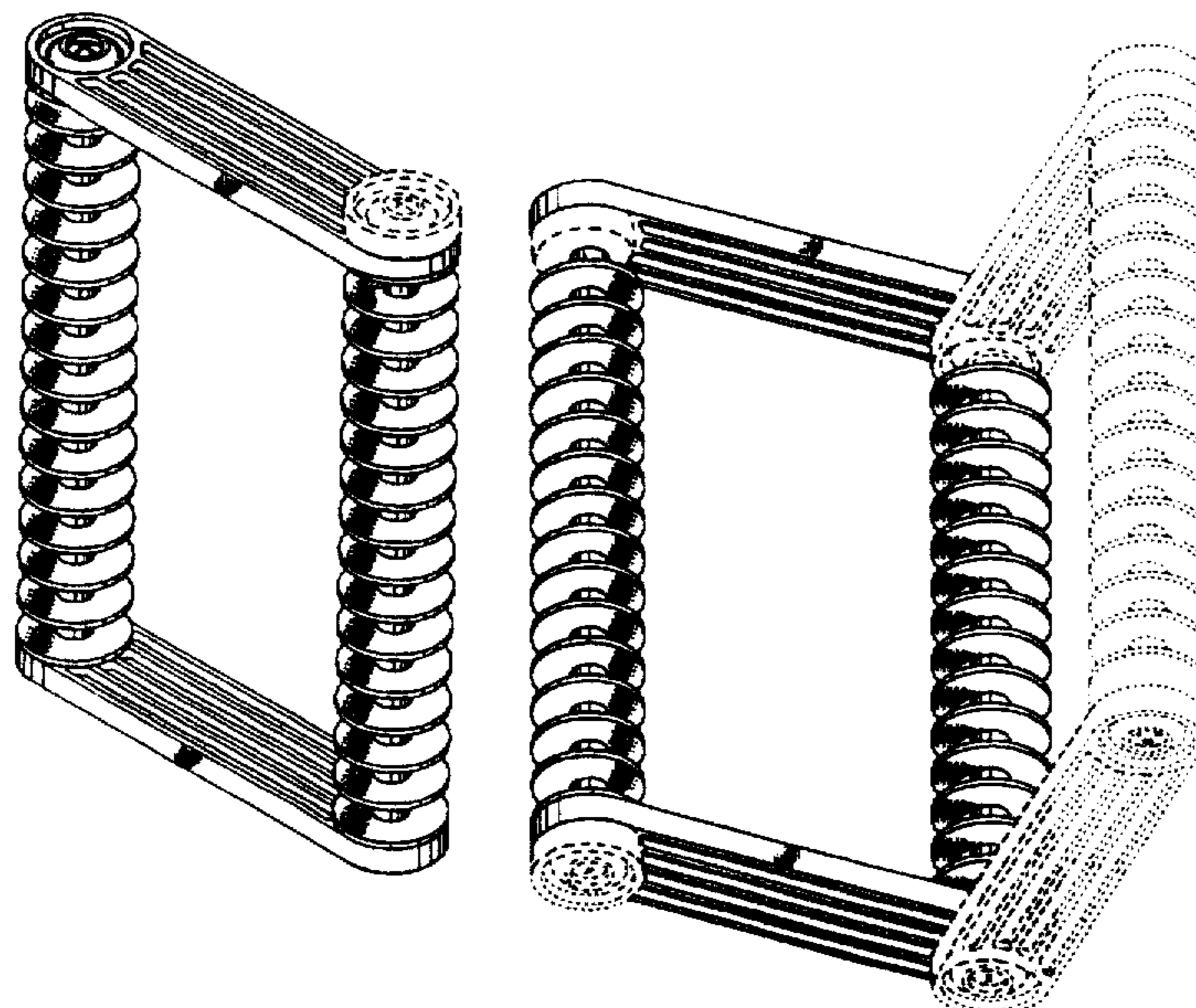


FIG. 1

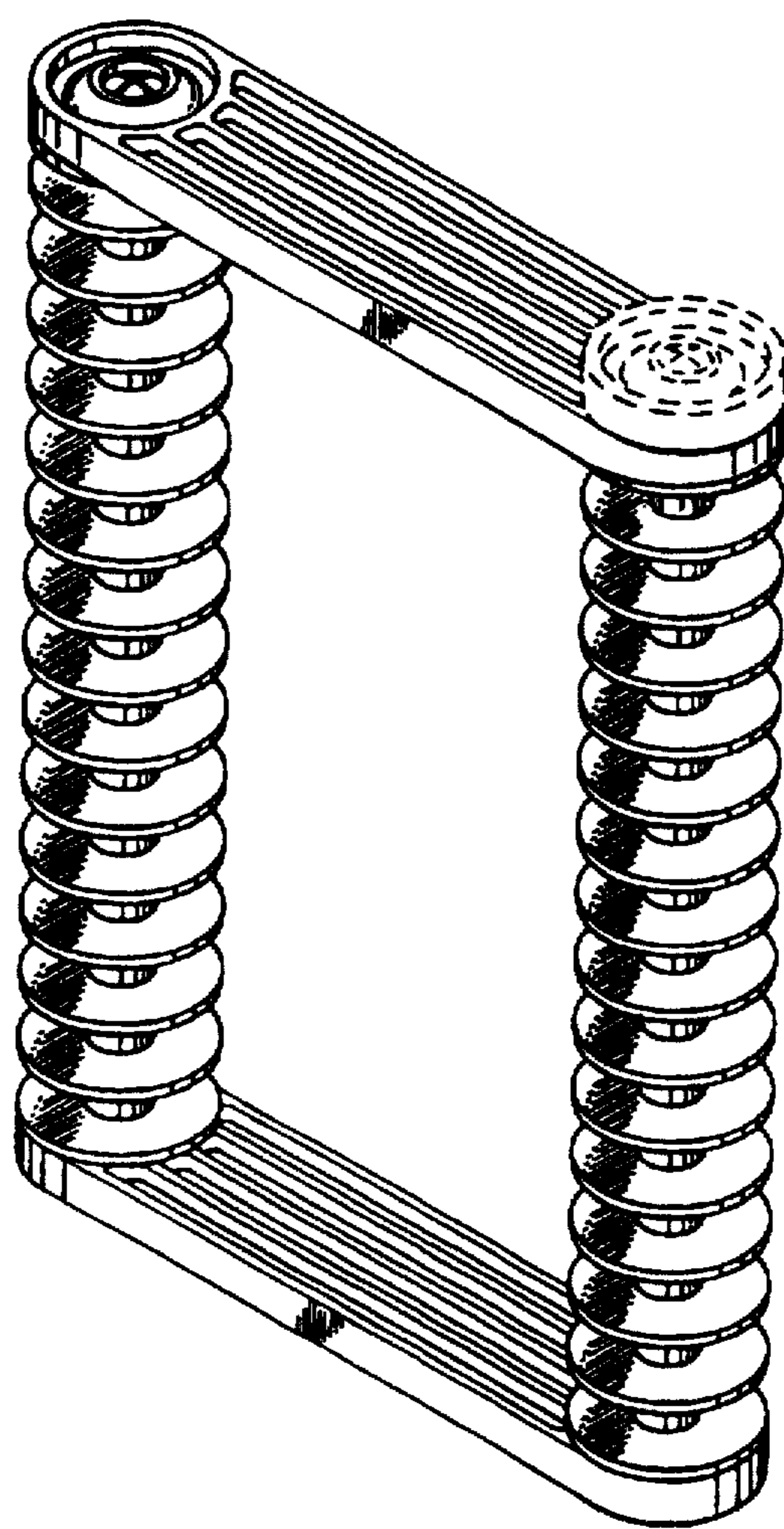


FIG. 2

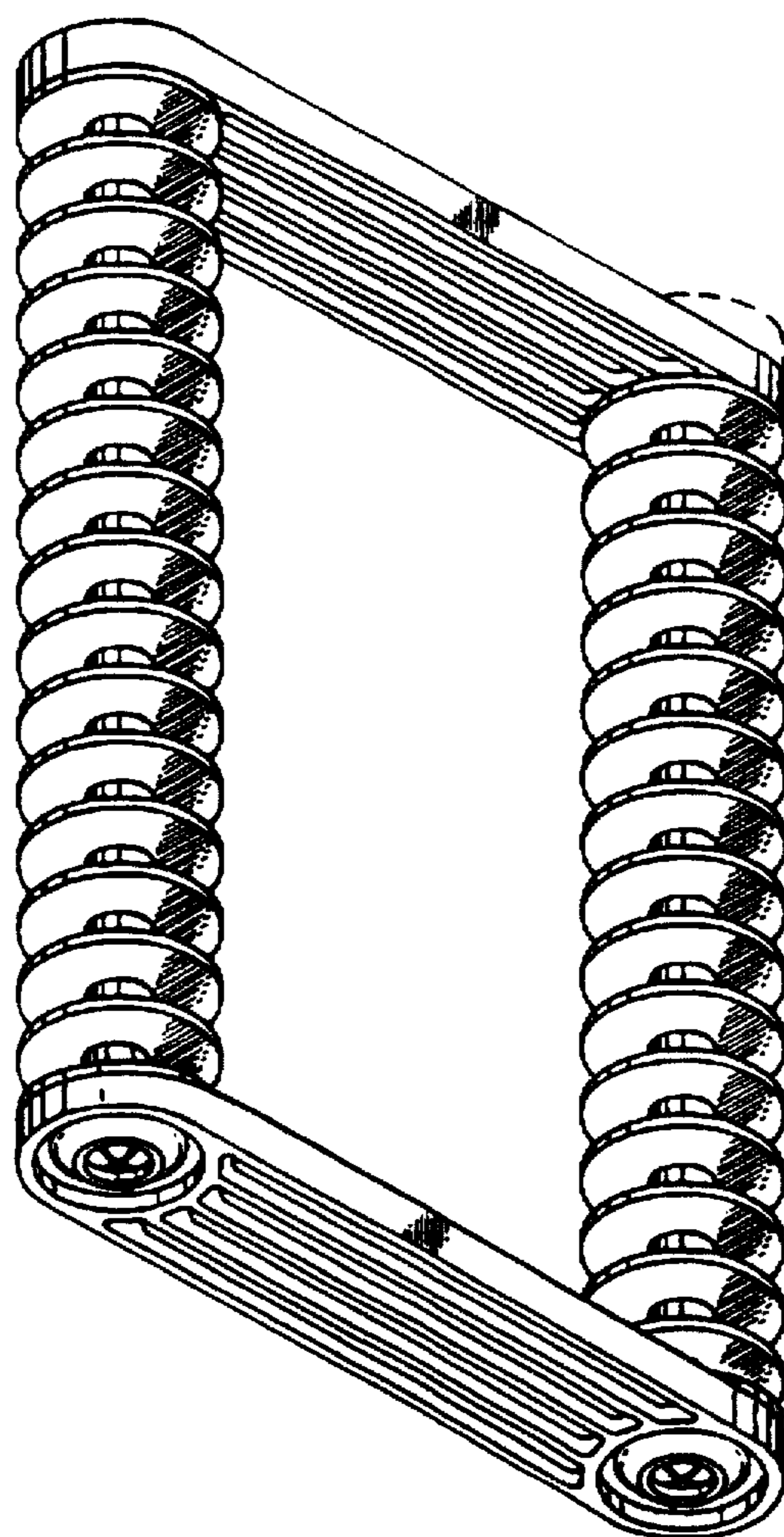


FIG. 3

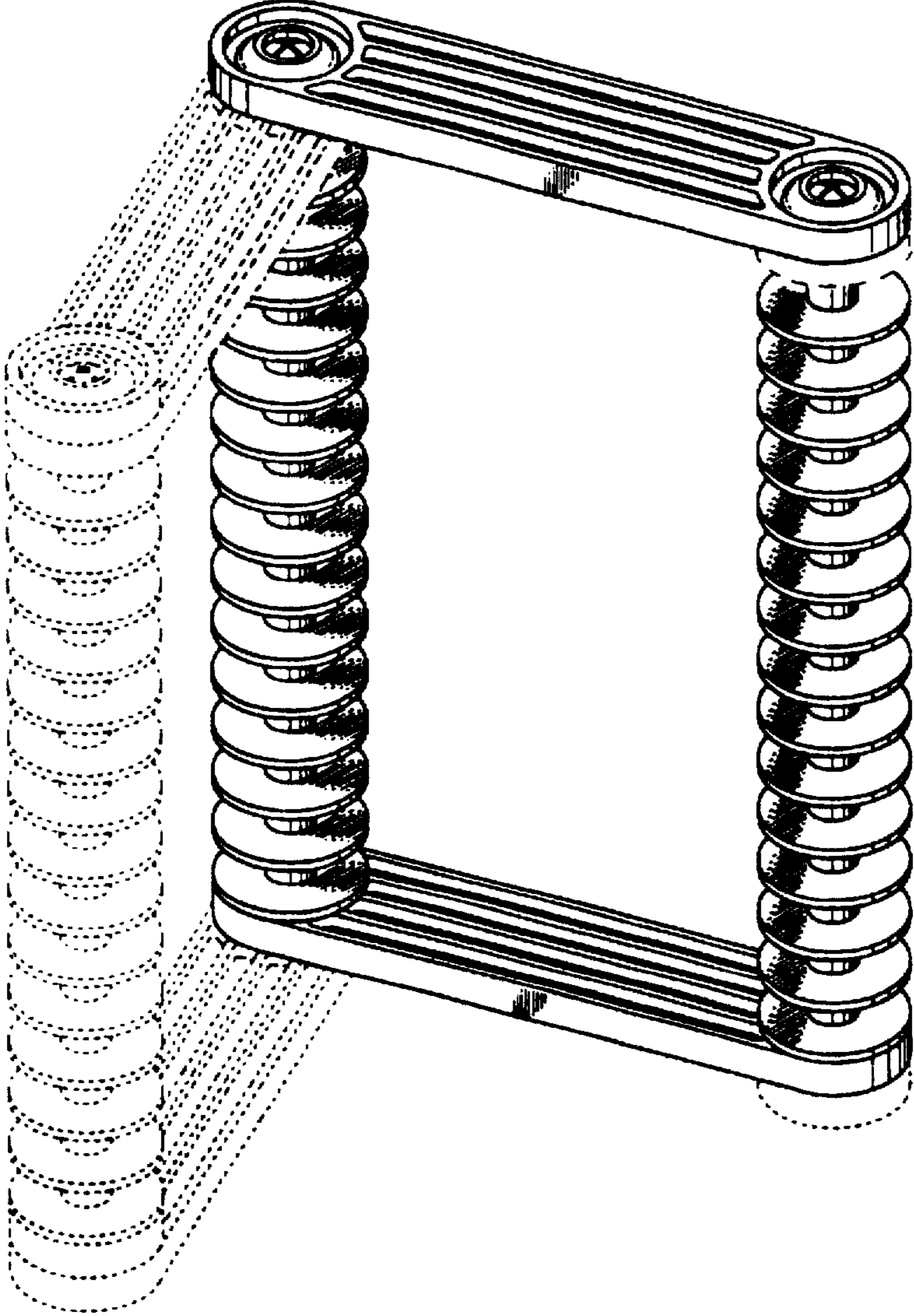


FIG. 4

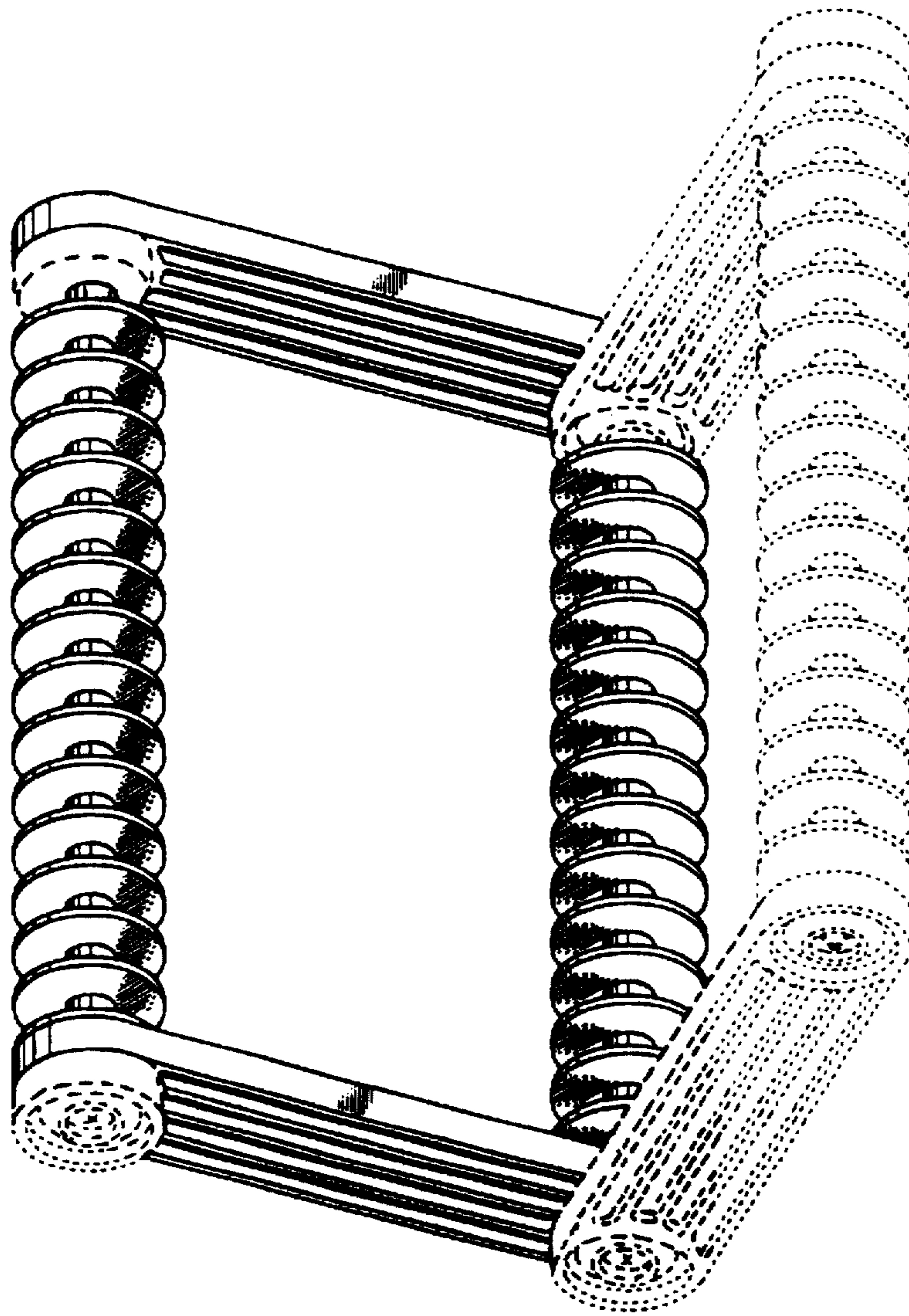
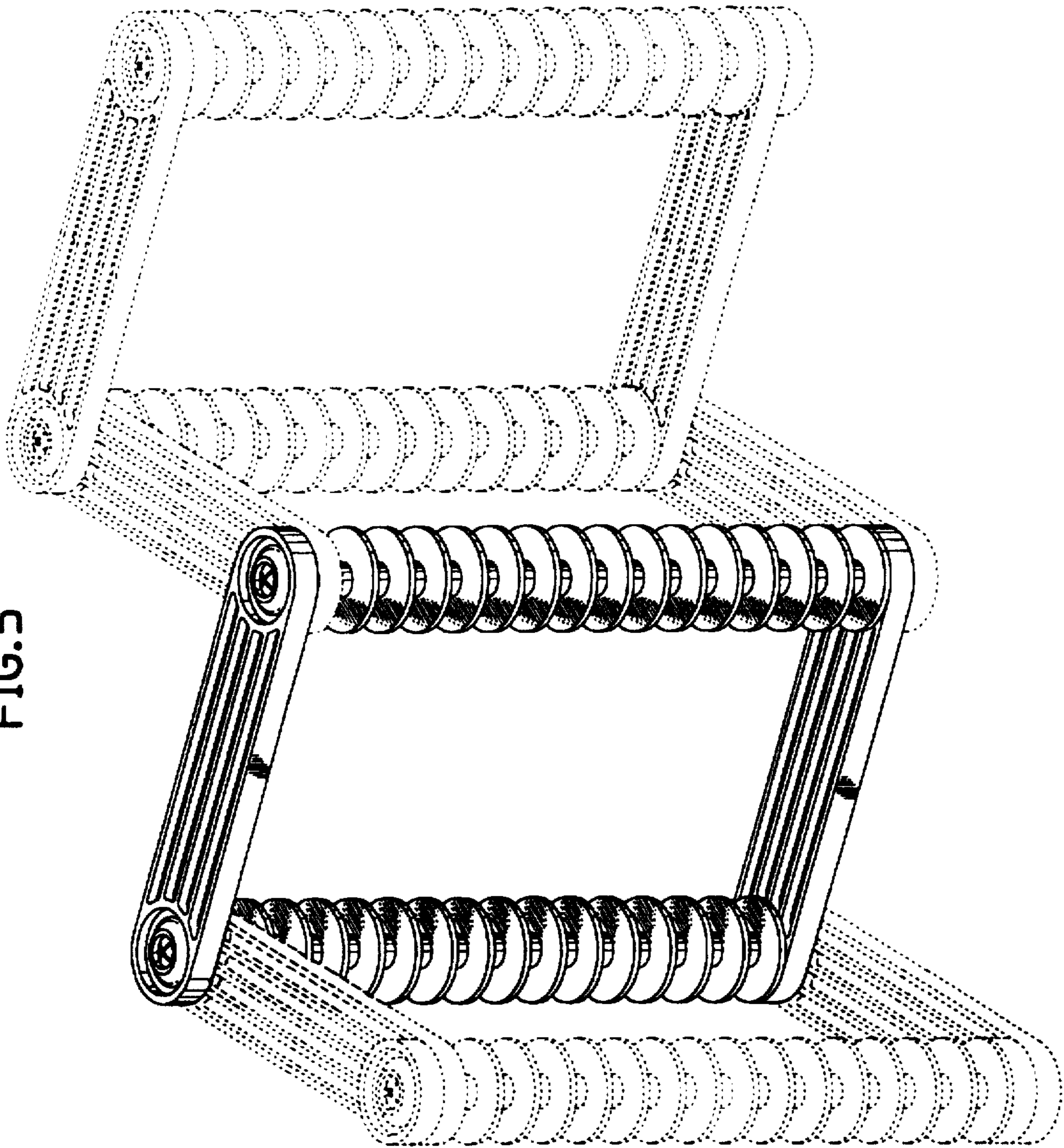


FIG. 5



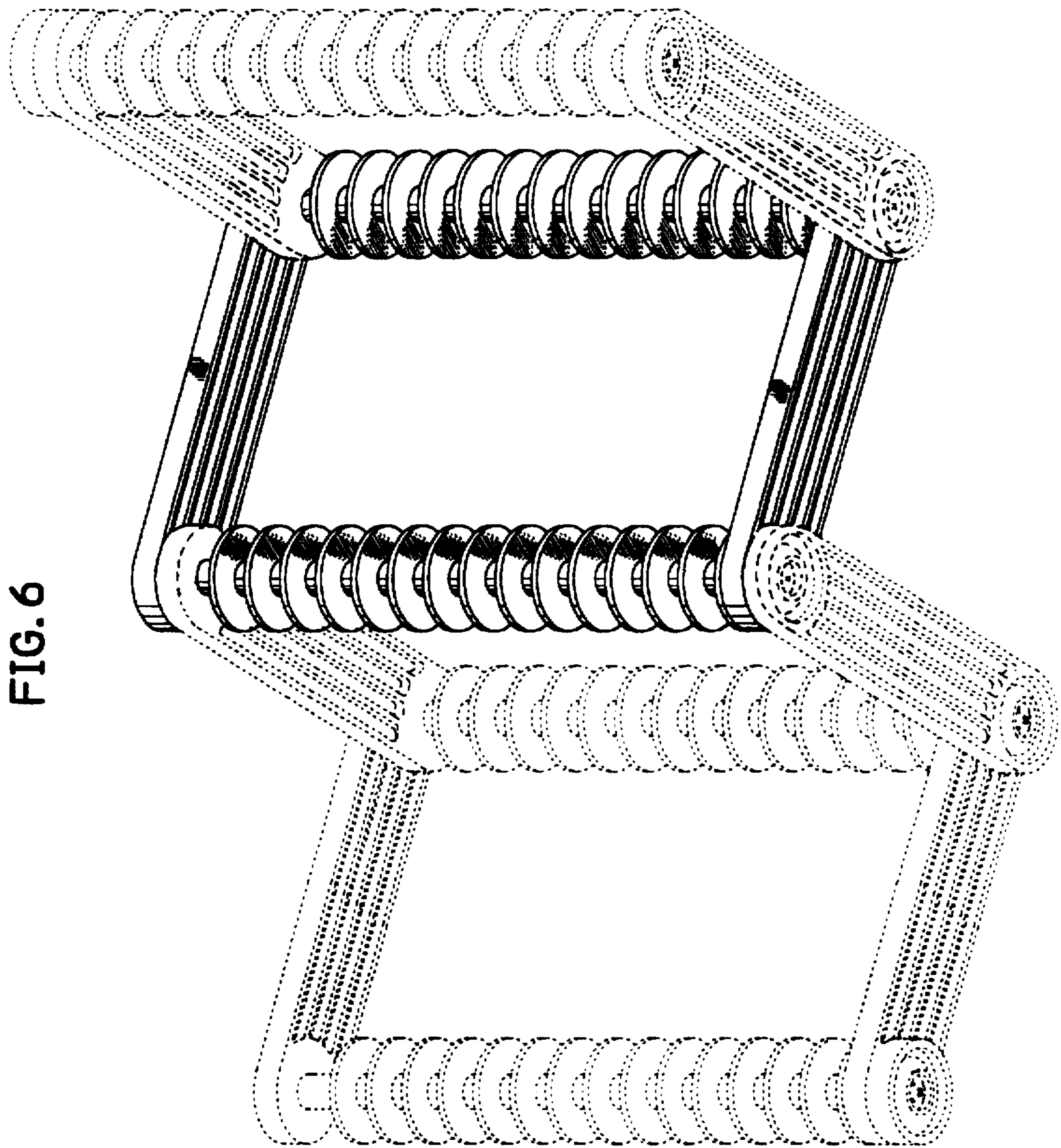


FIG. 6

FIG. 7

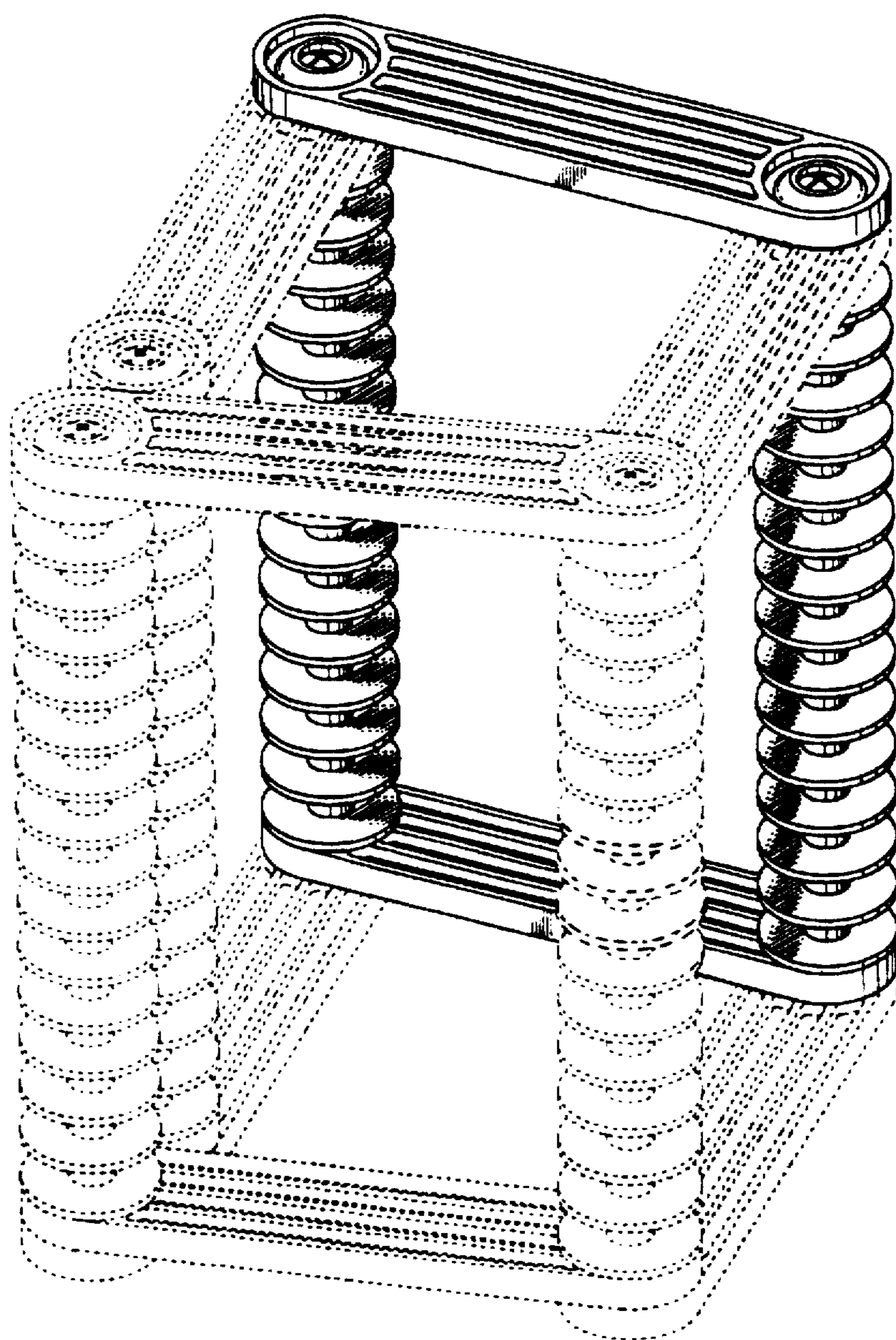


FIG. 8

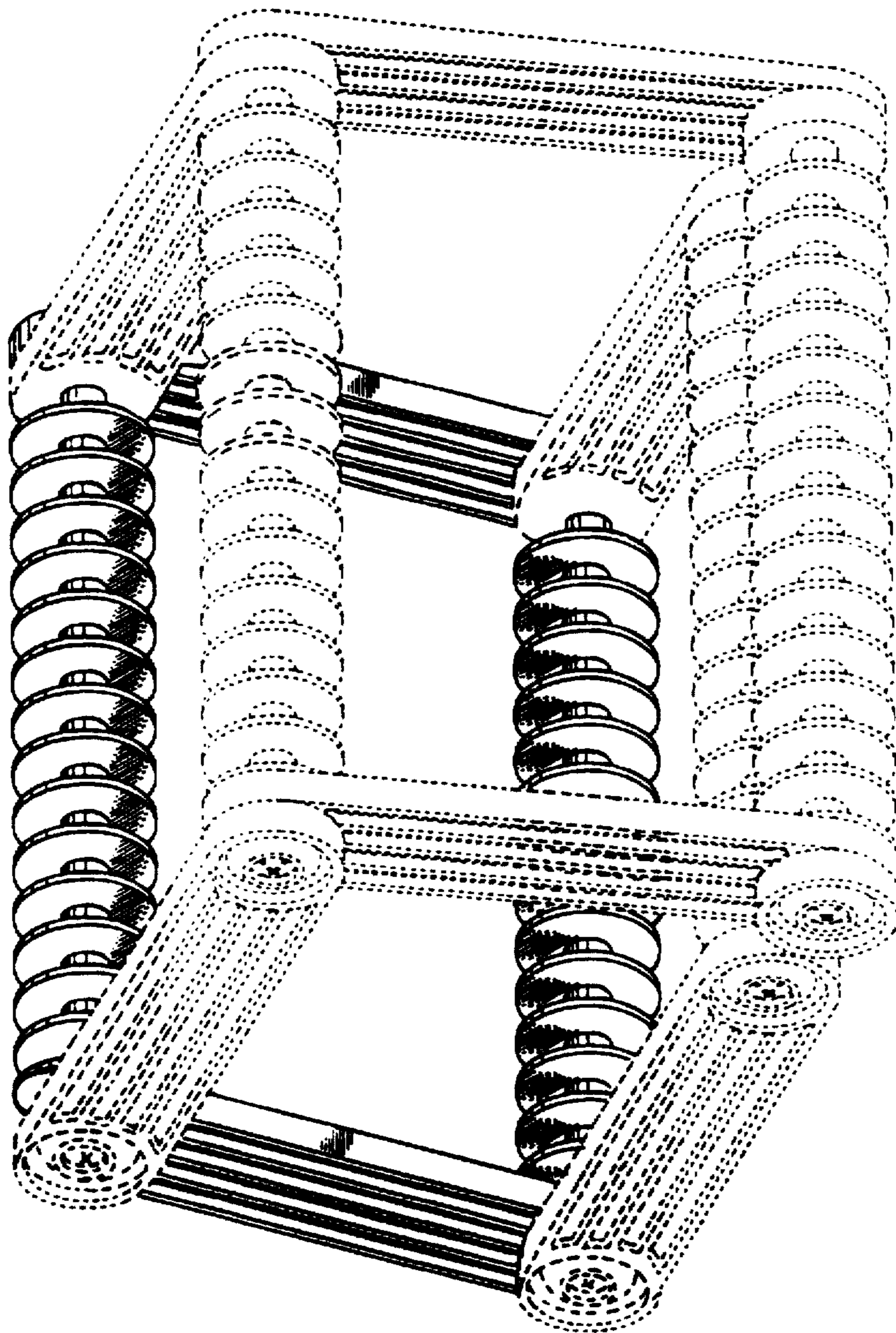


FIG. 9

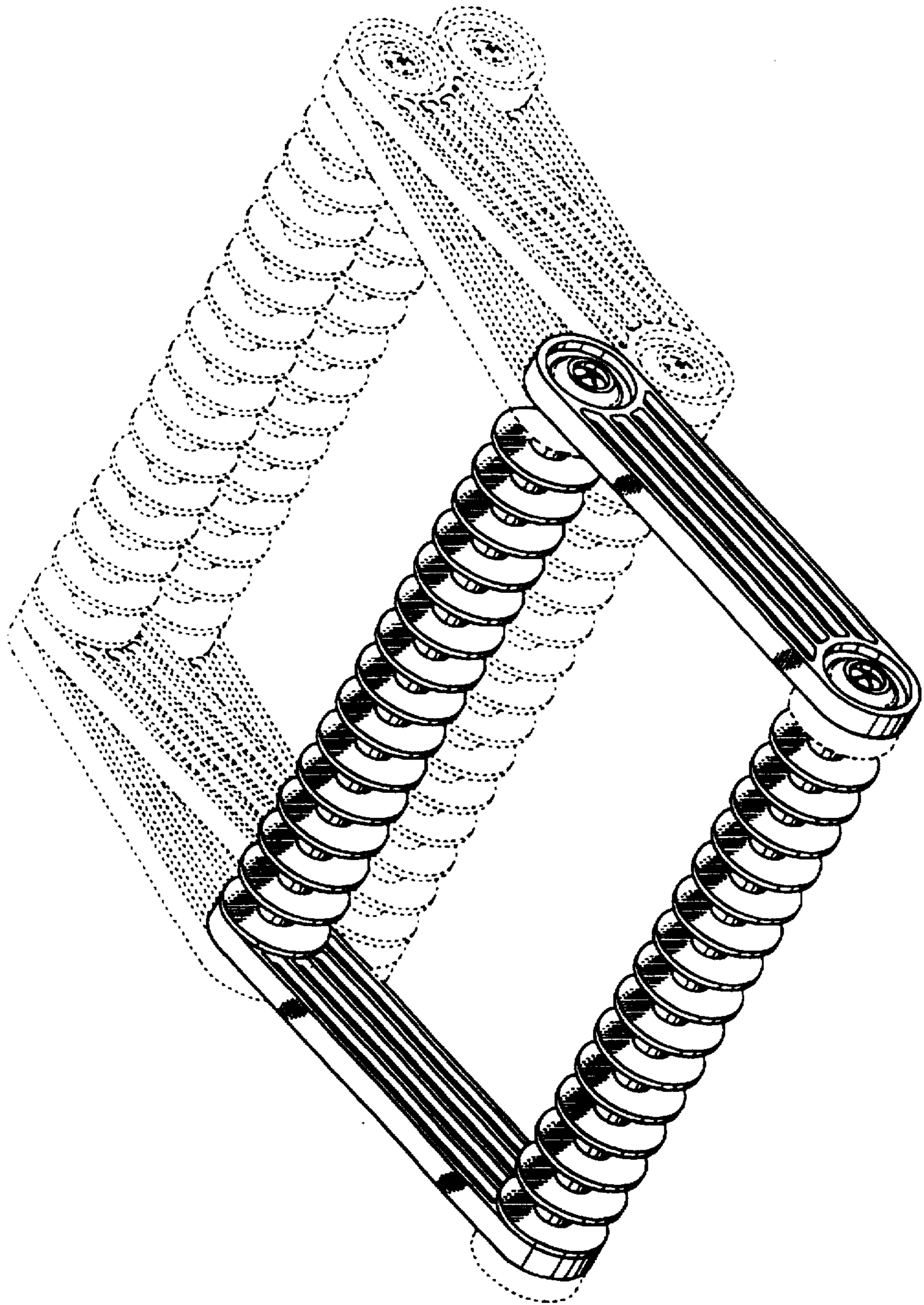


FIG.10

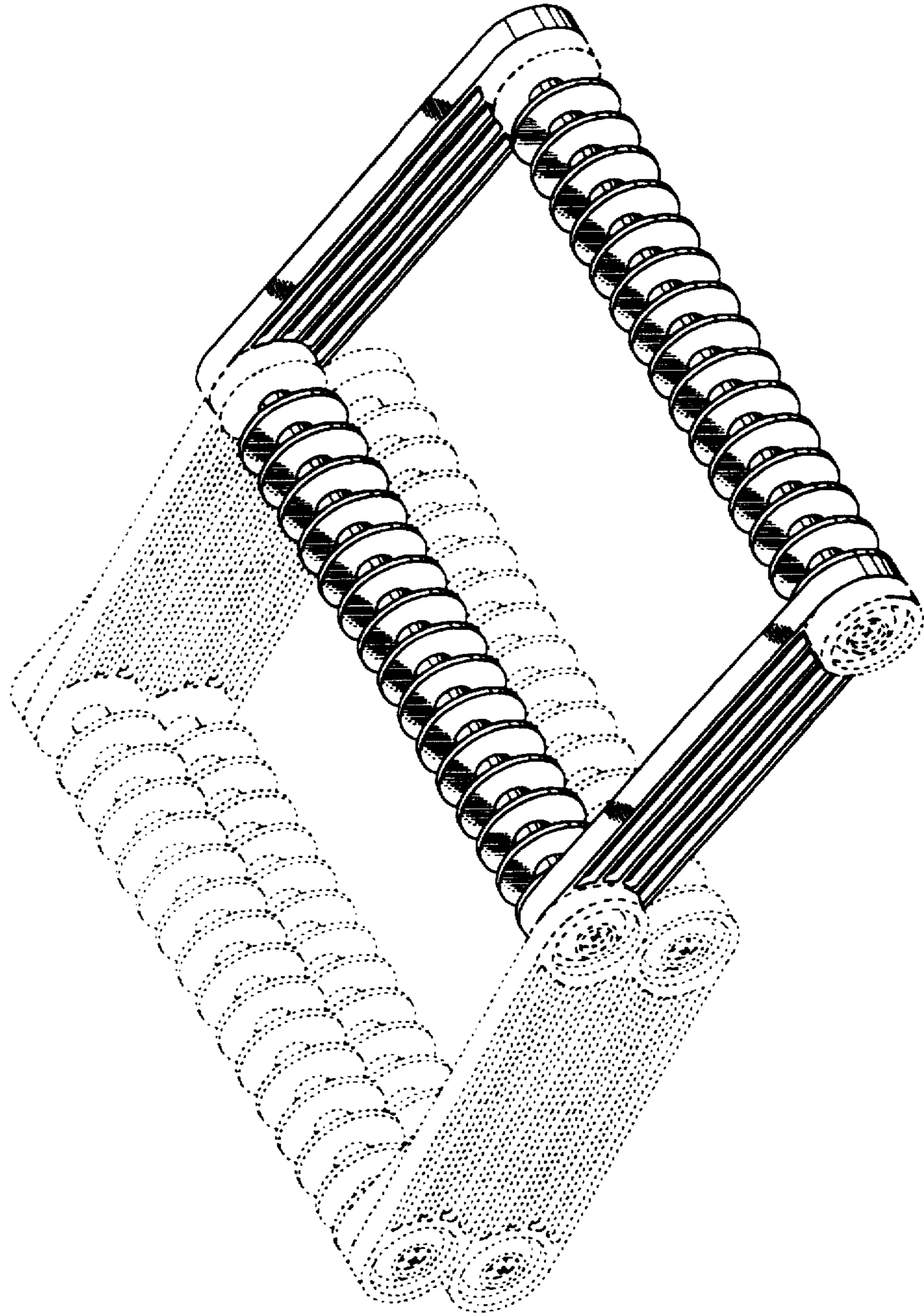


FIG. 11



FIG.12

