



US00D396372S

United States Patent [19]
Goodman

[11] **Patent Number:** **Des. 396,372**
[45] **Date of Patent:** ****Jul. 28, 1998**

[54] **PLATE RACK**

[76] **Inventor:** **Sheldon H. Goodman**, 30905 Stratford,
Solon, Ohio 44139

[**] **Term:** **14 Years**

[21] **Appl. No.:** **70,437**

[22] **Filed:** **May 8, 1997**

[51] **LOC (6) Cl.** **08-08**

[52] **U.S. Cl.** **D6/566**

[58] **Field of Search** D6/512, 566, 567,
D6/569, 570; 211/13.1, 41.1, 41.7, 86.01,
87.01, 181.1

[56] **References Cited**

U.S. PATENT DOCUMENTS

D. 121,250	6/1940	Payne	D6/566
D. 210,604	3/1968	Sanders	D6/566
D. 211,828	7/1968	Schmidt et al.	D6/566
D. 294,098	2/1988	Mayo	D6/566
2,467,997	4/1949	Sheker	211/181.1 X

Primary Examiner—Brian N. Vinson
Attorney, Agent, or Firm—Pearne, Gordon, McCoy and
Granger LLP

[57] **CLAIM**

The ornamental design for a plate rack, as shown and described.

DESCRIPTION

FIG. 1 is a front, top and side perspective view of a first embodiment of a plate rack, showing my new design; FIG. 2 is a front elevational view thereof; FIG. 3 is a right, side, elevational view thereof, the left side elevational view being a mirror image; FIG. 4 is a top plan view thereof; FIG. 5 is a rear elevational view thereof; FIG. 6 is a bottom plan view thereof; FIG. 7 is a front, top and side perspective view of a second embodiment of a plate rack, in accordance with my new design showing a three plate-mounting style, additional views of this rack being similar to the corresponding views of the first embodiment except for the number of plate mountings; and, FIG. 8 is a front, top and side perspective view of a third embodiment of a plate rack, in accordance with my new design showing a four plate-mounting style, additional views of this rack being similar to the corresponding views of the first embodiment except for the number of plate mountings.

1 Claim, 4 Drawing Sheets

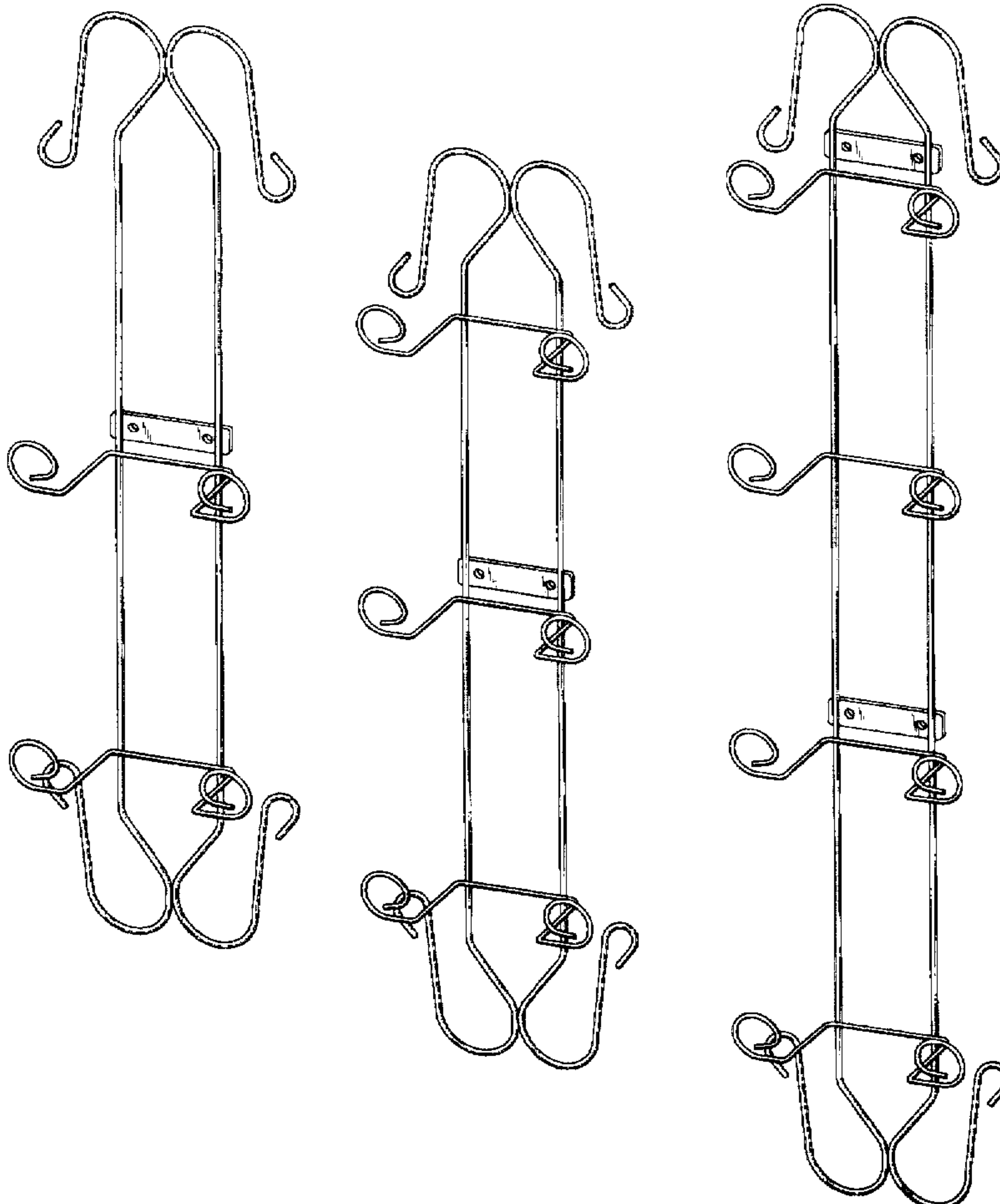
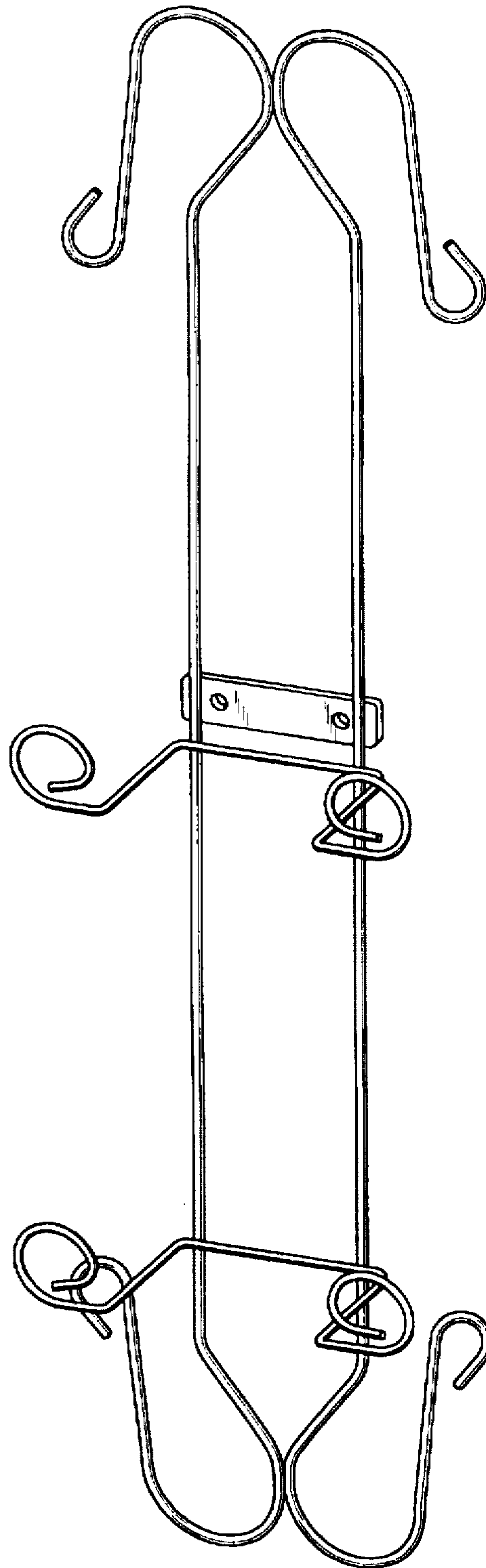


Fig. 1



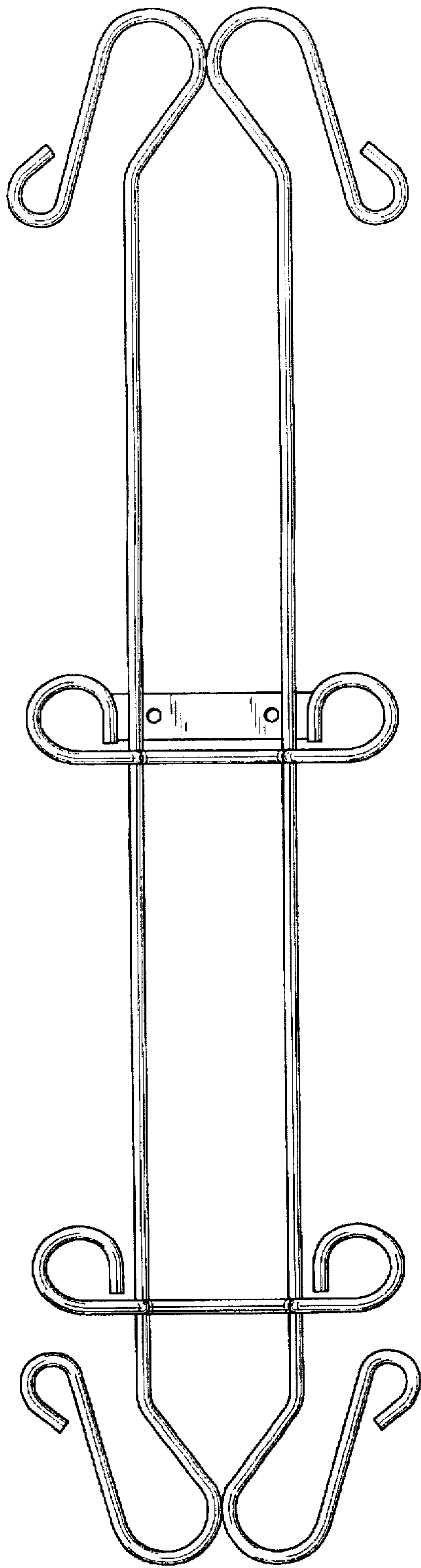


Fig. 2

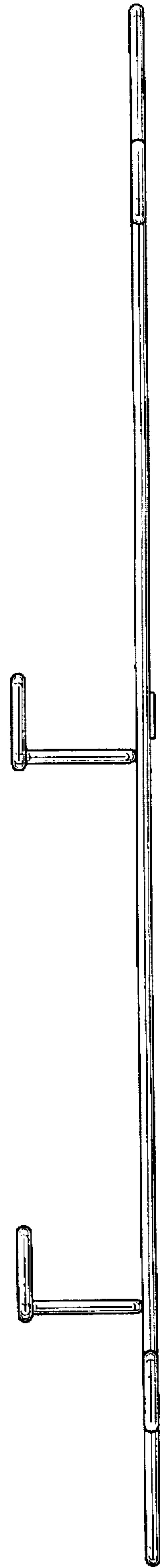


Fig. 3

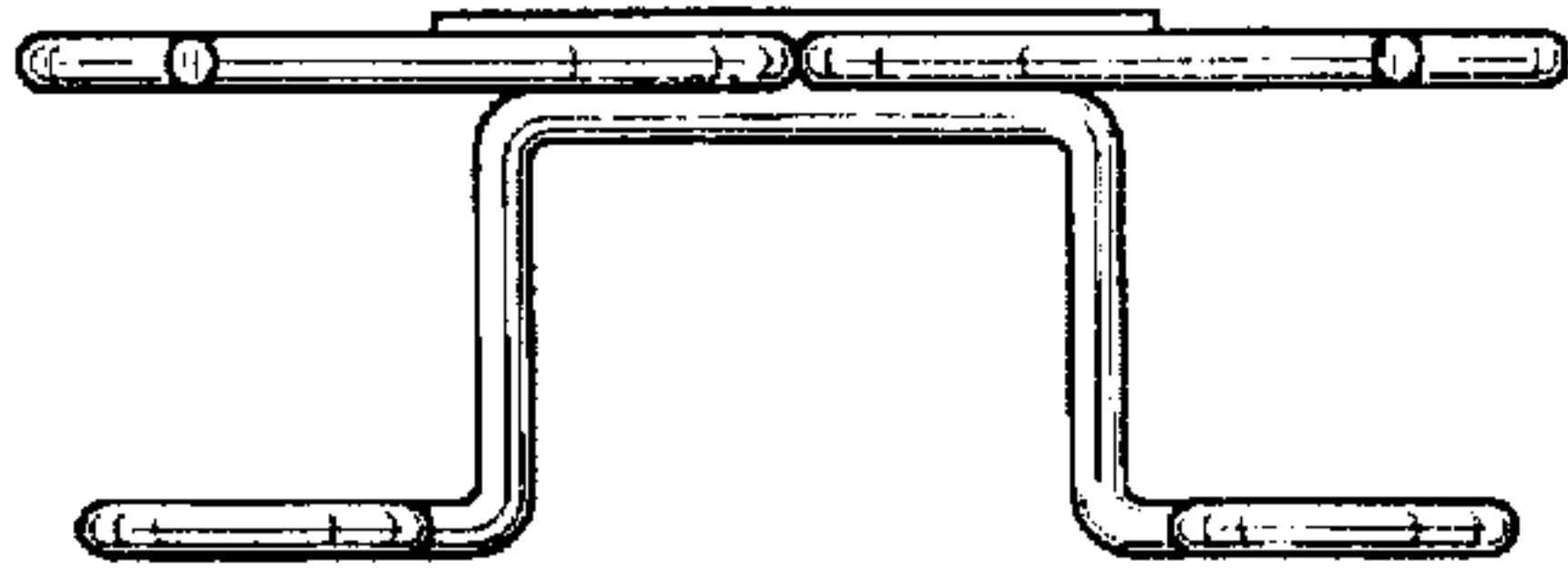


Fig. 4

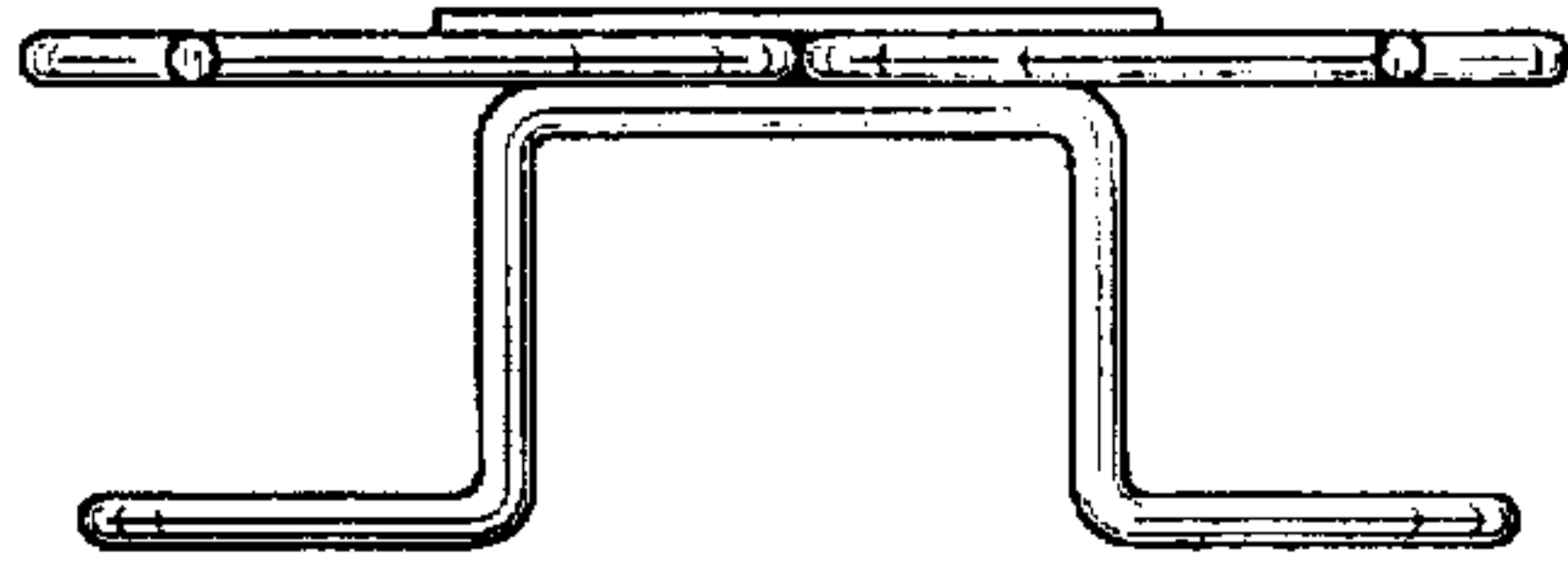


Fig. 6

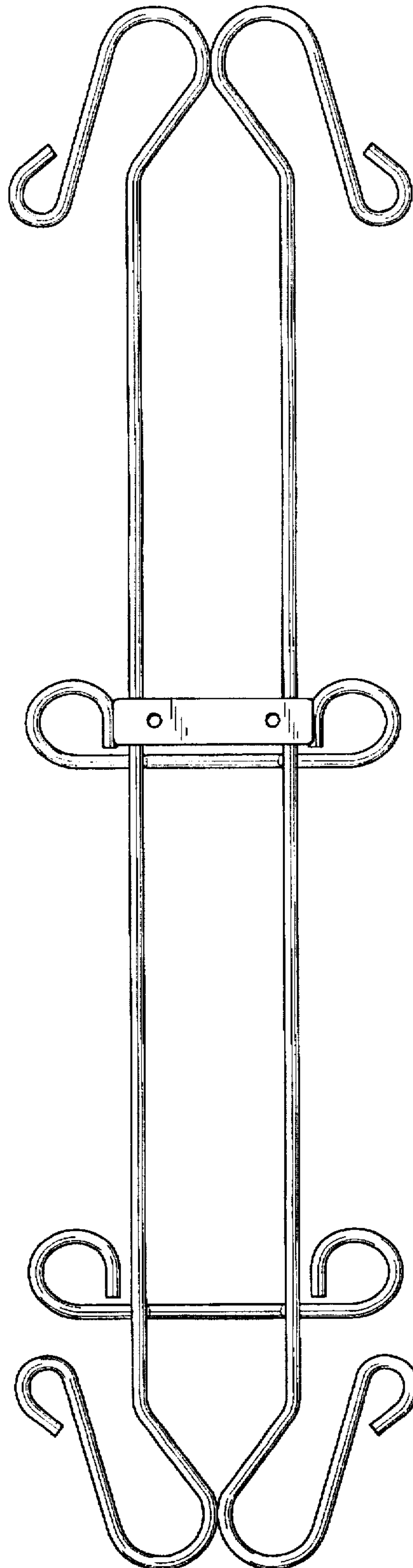


Fig. 5

Fig.7

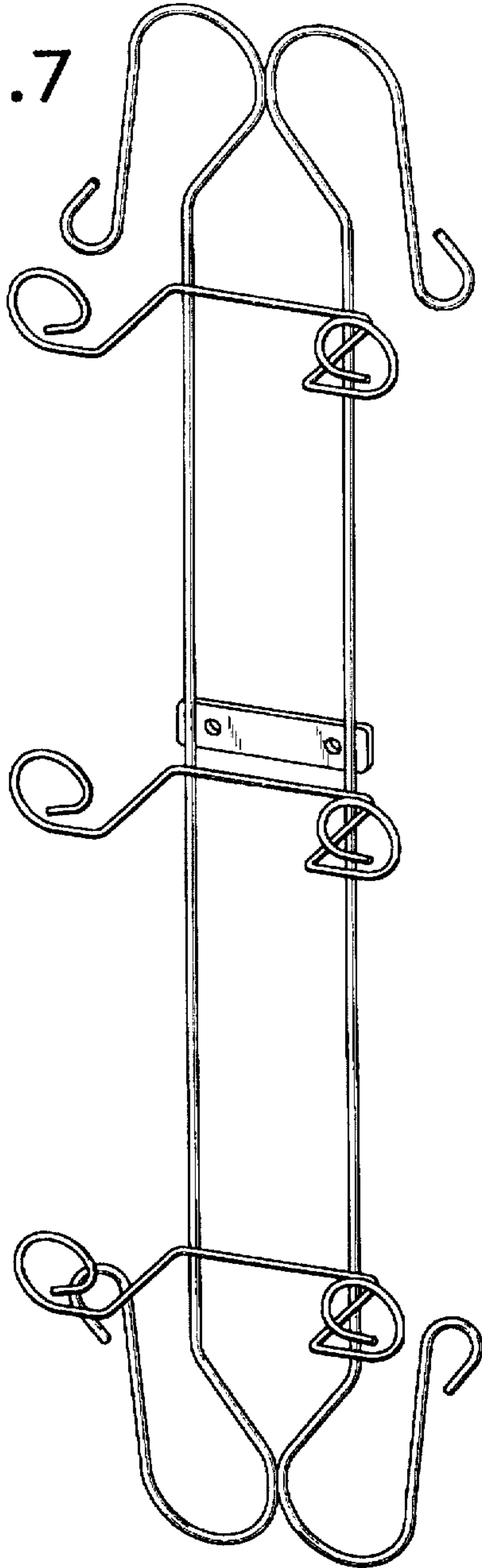


Fig.8

