



US00D396370S

United States Patent [19]
Romero

[11] **Patent Number: Des. 396,370**
[45] **Date of Patent: **Jul. 28, 1998**

[54] **MEASURED TOILET PAPER STRIP UNIT**

D. 348,579 7/1994 Brandenburg D6/523
D. 362,145 9/1995 Nolen D6/523
D. 379,044 5/1997 Collins D6/523

[76] **Inventor: Gilbert Romero, 201 Clayton Rd.,
Space 4, Raton, N. Mex. 87740**

Primary Examiner—Marcus A. Jackson
Attorney, Agent, or Firm—Harold H. Dutton, Jr.

[**] **Term: 14 Years**

[57] **CLAIM**

[21] **Appl. No.: 49,515**

The ornamental design for a measured toilet paper strip unit,
as shown and described.

[22] **Filed: Jan. 25, 1996**

DESCRIPTION

[51] **LOC (6) Cl. 06-02**

[52] **U.S. Cl. D6/523**

[58] **Field of Search** D6/518, 522, 523;
206/389; 221/282, 283; 242/55.2, 55.3,
55.53, 570

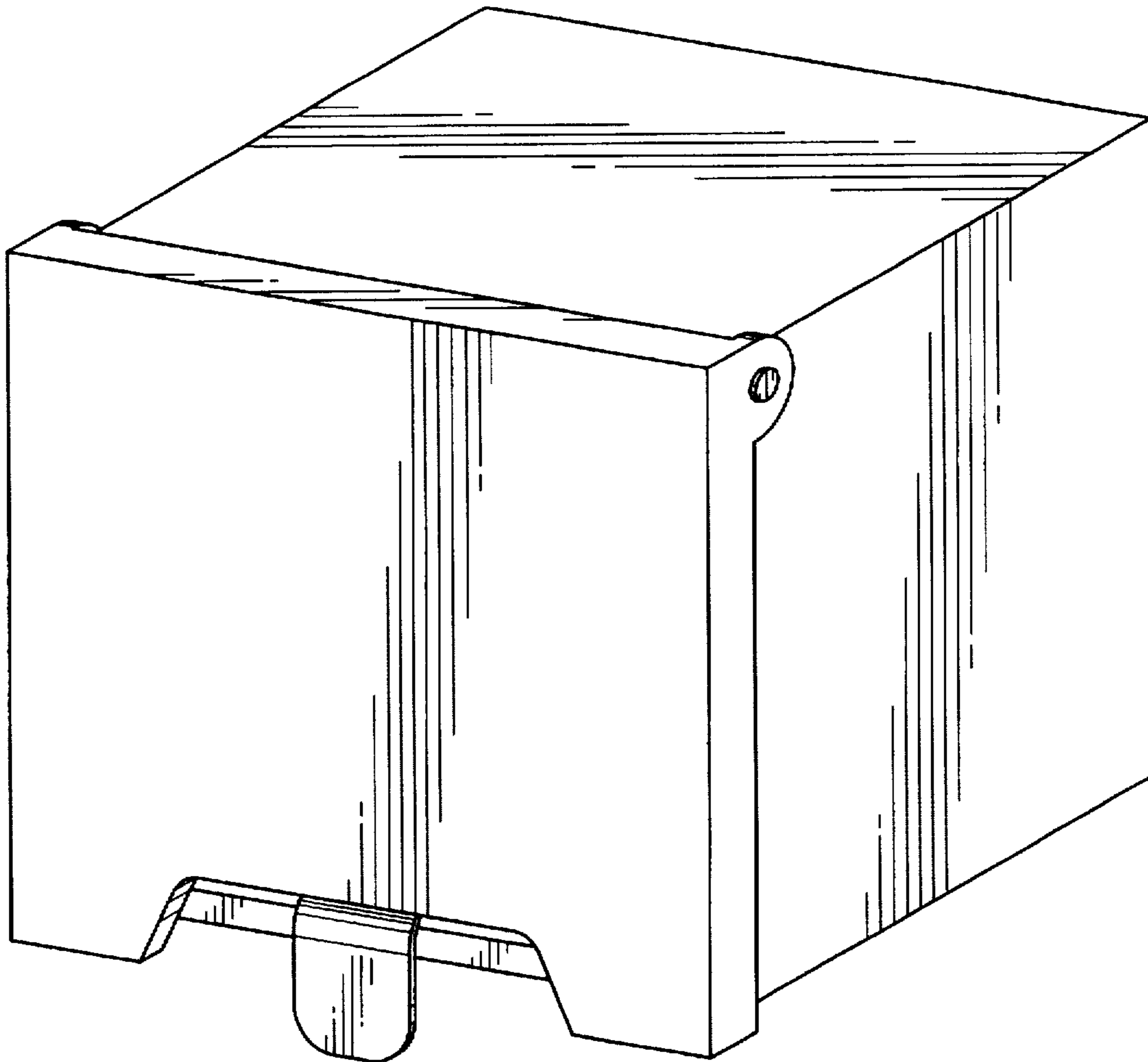
FIG. 1 is a perspective view of a measured toilet paper strip
unit showing my new design;
FIG. 2 is a front view thereof;
FIG. 3 is a rear view thereof;
FIG. 4 is a right side view thereof;
FIG. 5 is a top view thereof; and,
FIG. 6 is a bottom view thereof.
The left side view is a mirror image of FIG. 4.

[56] **References Cited**

U.S. PATENT DOCUMENTS

D. 148,484 1/1948 Roche D6/523
D. 151,023 9/1948 Wood D6/523
D. 156,498 12/1949 Fomusa et al. D6/523
D. 186,493 11/1959 Sarro D6/523

1 Claim, 3 Drawing Sheets



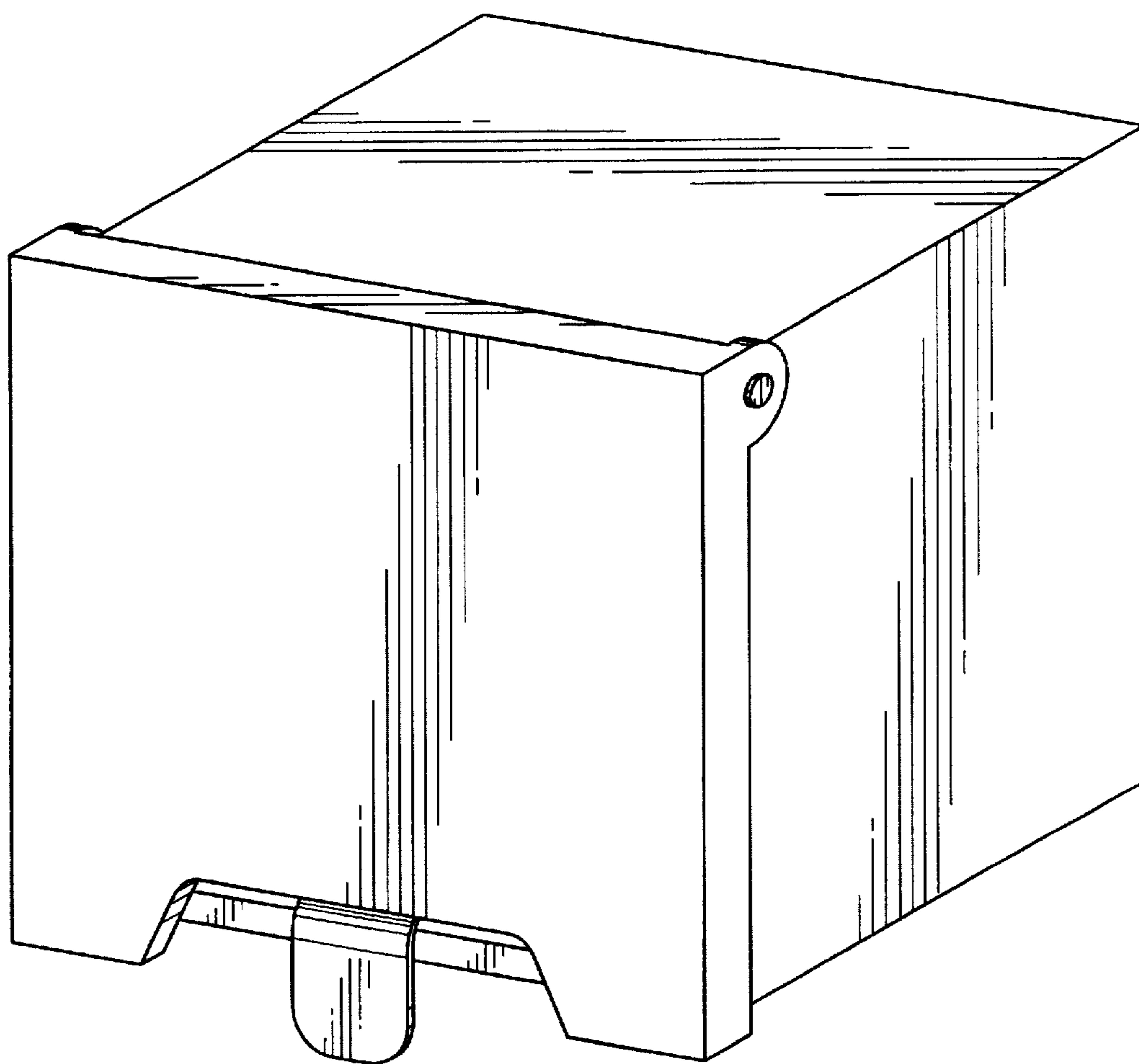


FIG. 1

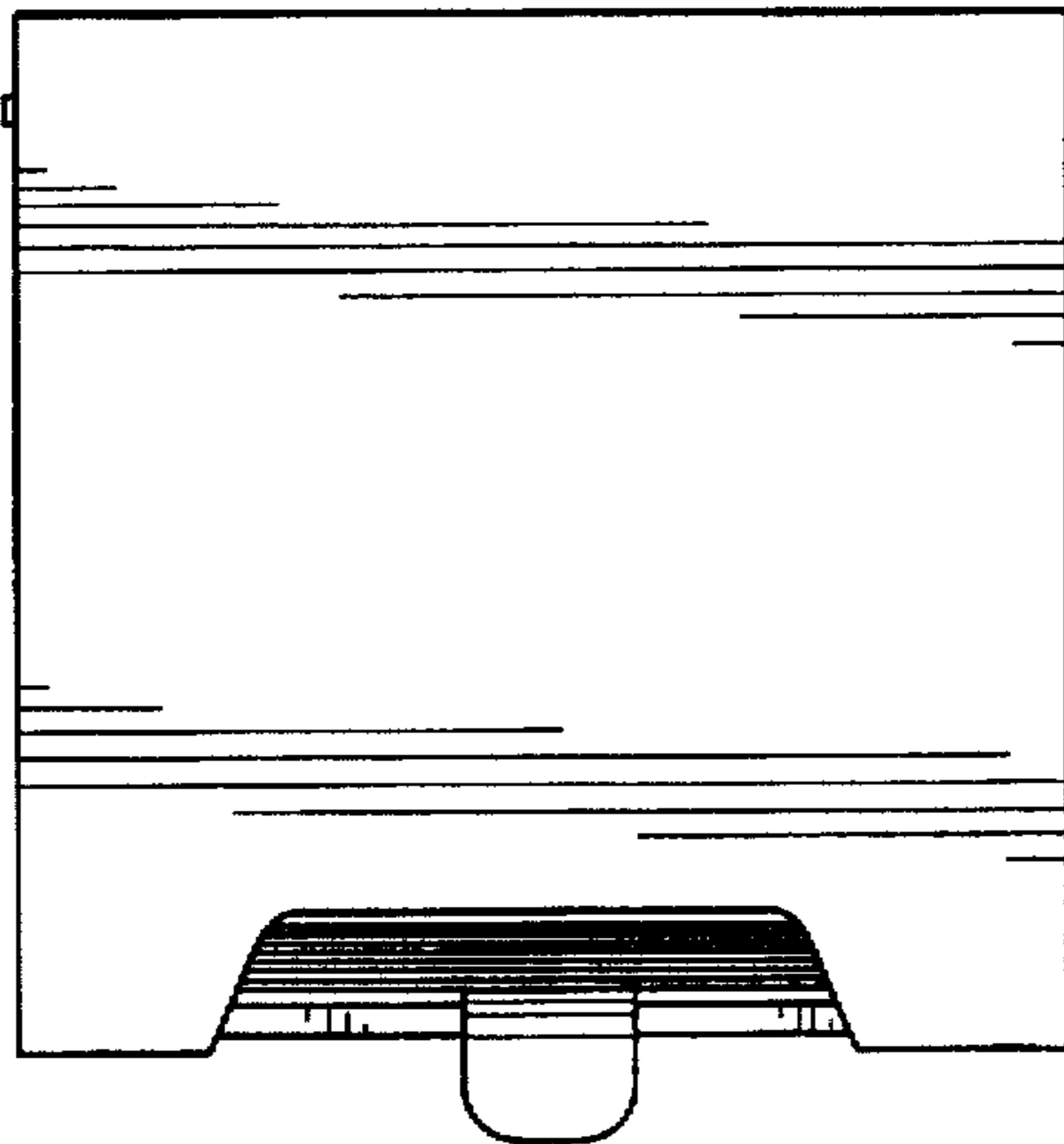
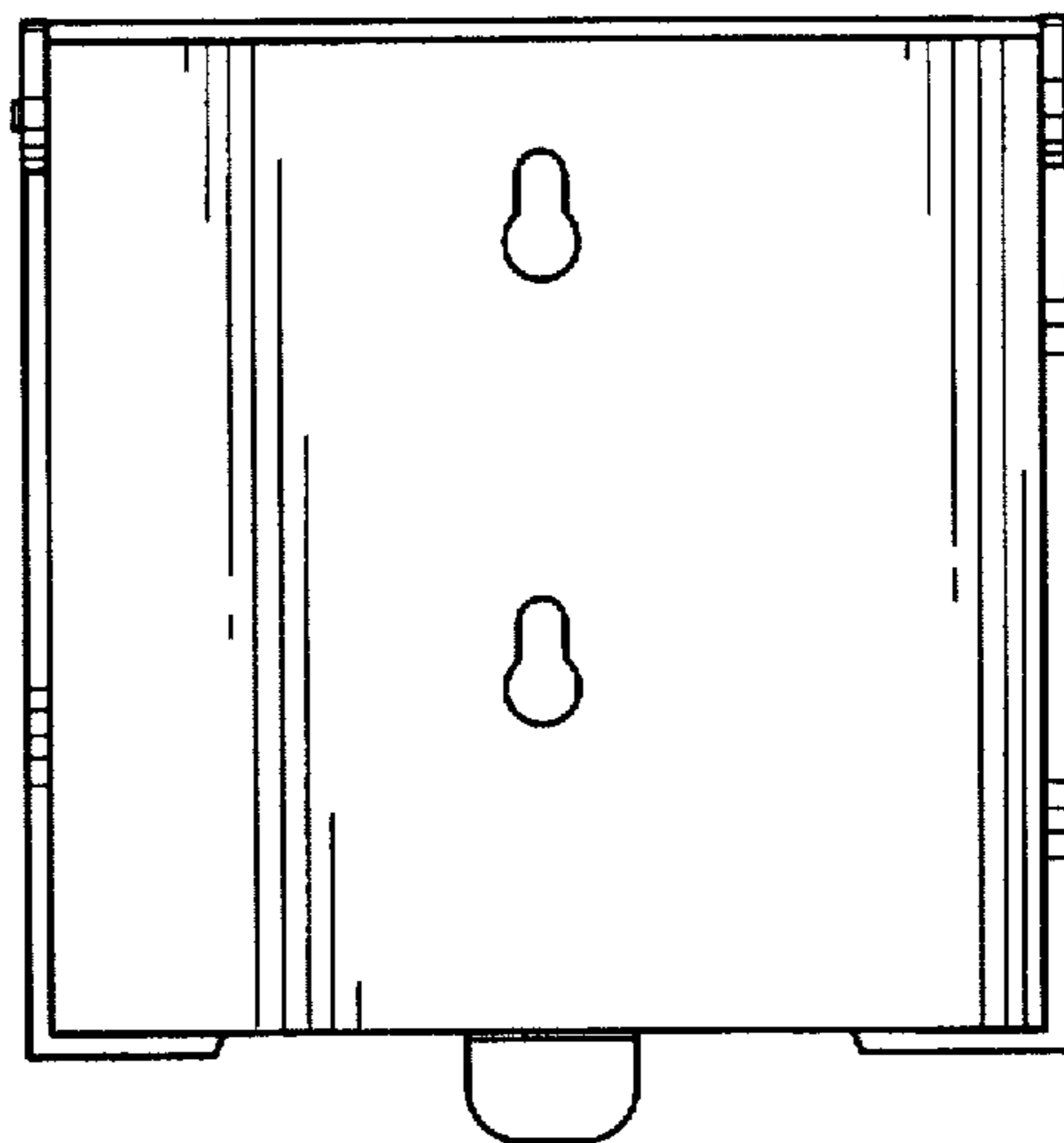


FIG. 2

FIG. 3



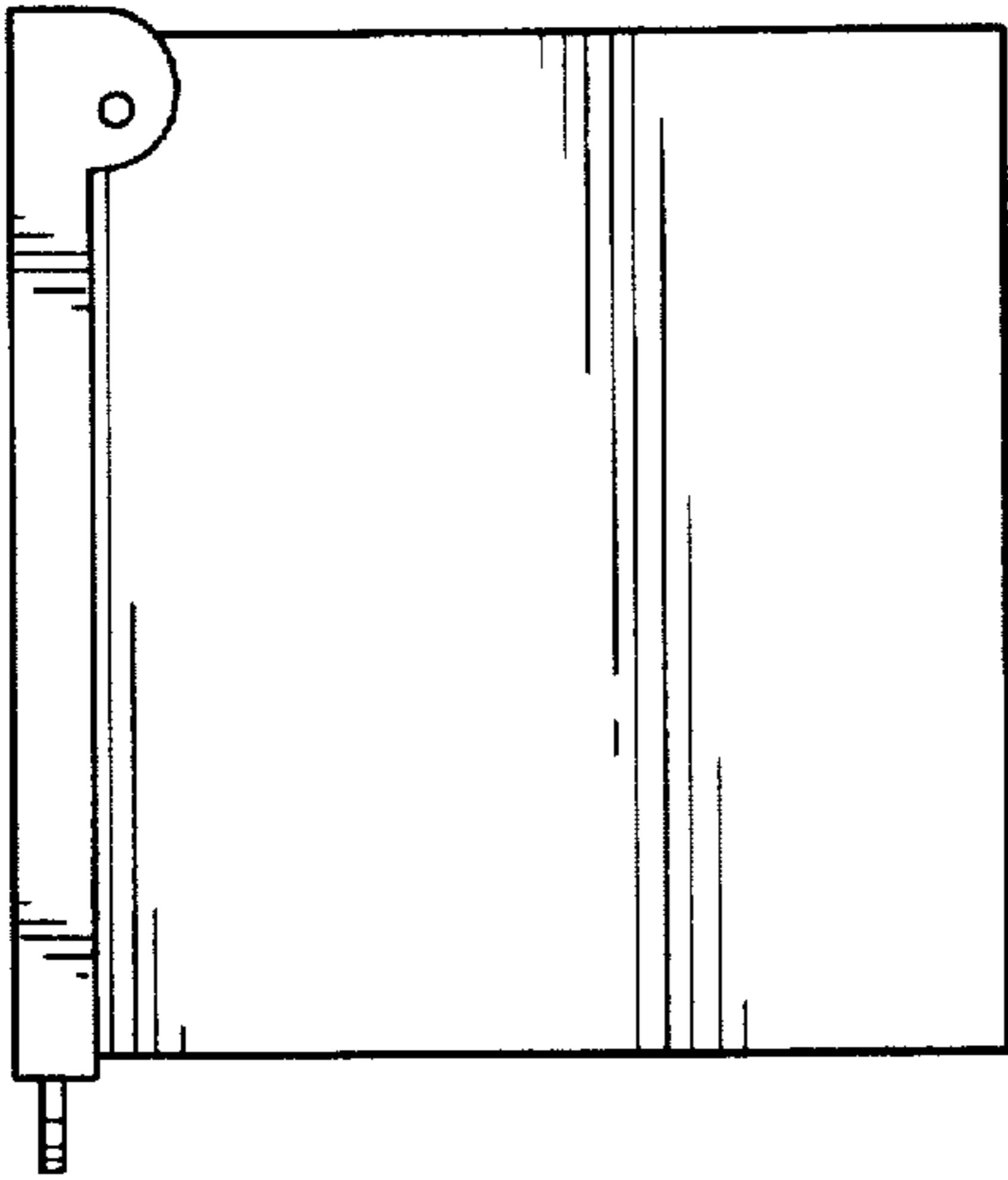


FIG. 4

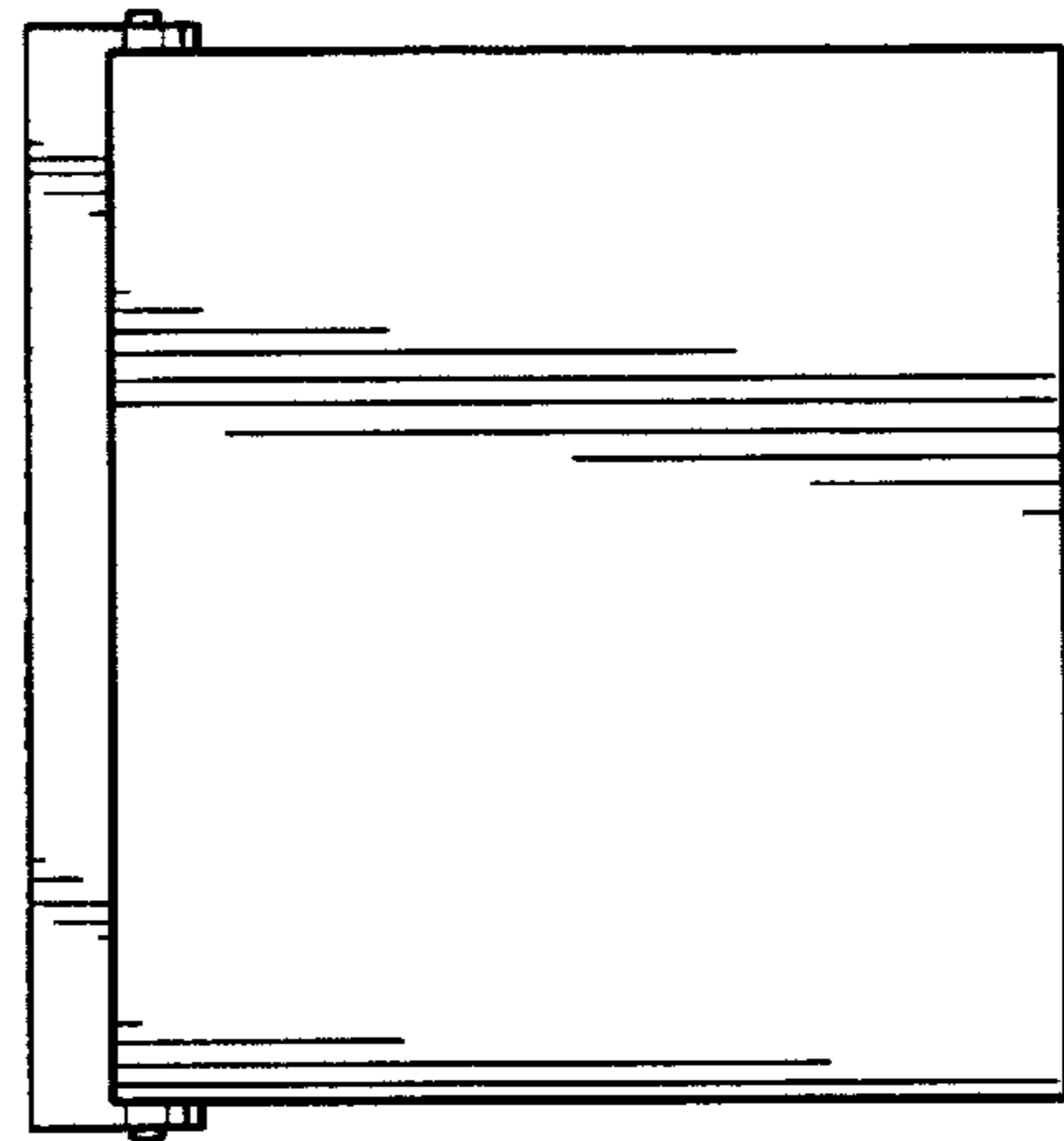


FIG. 5

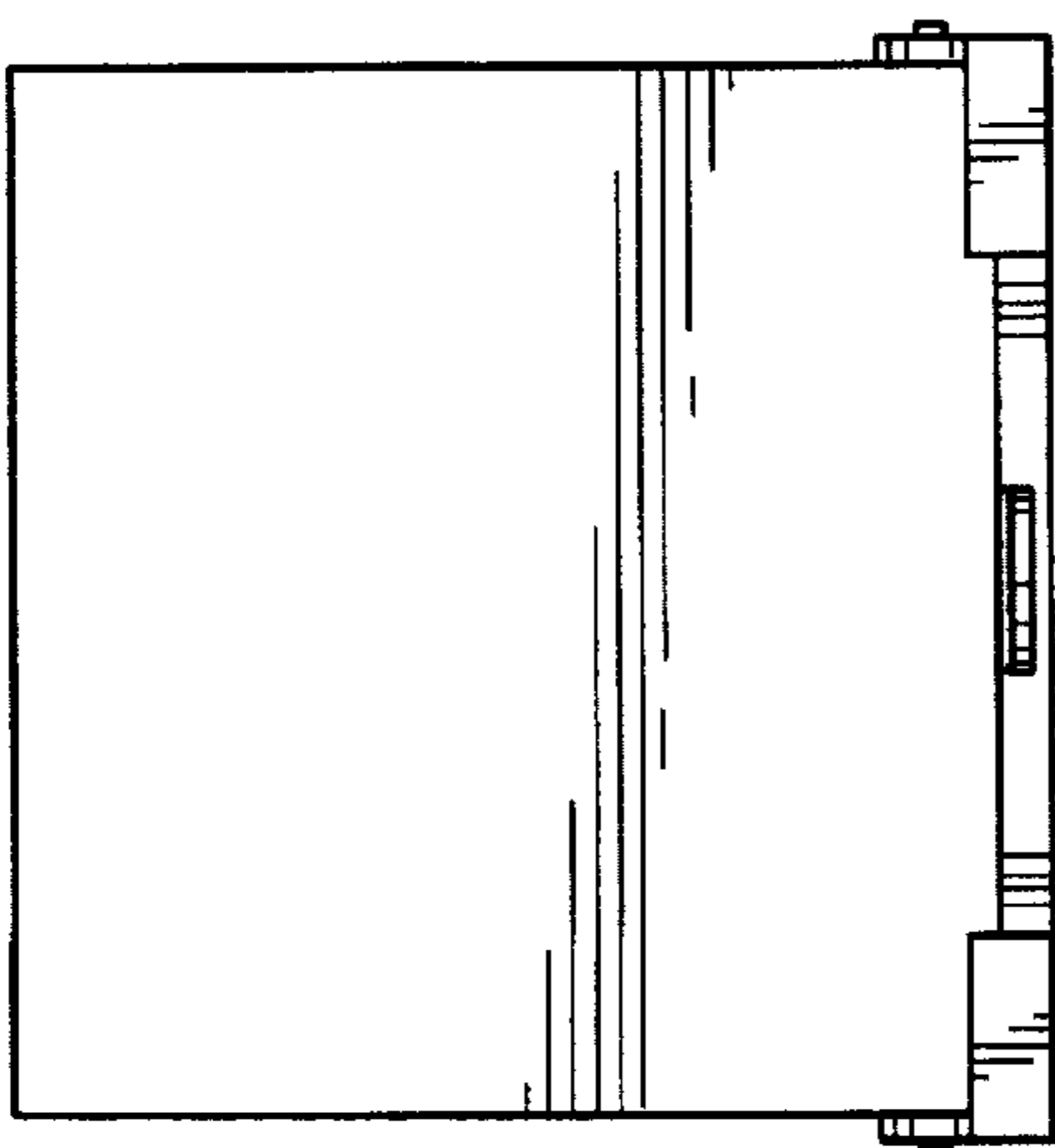


FIG. 6