



US00D396369S

**United States Patent** [19]  
**Giugiaro**

[11] **Patent Number:** **Des. 396,369**  
[45] **Date of Patent:** **\*\*Jul. 28, 1998**

[54] **TEARING OFF MOUTH PIECE**  
[75] **Inventor:** **Giorgetto Giugiaro, Turin, Italy**  
[73] **Assignee:** **SCA Hygiene Paper AB, Gothenburg, Sweden**  
[\*\*] **Term:** **14 Years**  
[21] **Appl. No.:** **62,083**  
[22] **Filed:** **Nov. 7, 1996**  
[51] **LOC (6) Cl.** ..... **07-07**  
[52] **U.S. Cl.** ..... **D6/518**  
[58] **Field of Search** ..... **D6/518-523; 206/409; 221/30, 31, 33, 303**

*Primary Examiner*—Brian N. Vinson  
*Attorney, Agent, or Firm*—Burns, Doane, Swecker & Mathis LLP

[57] **CLAIM**

The ornamental design for a tearing off mouthpiece, as shown and described.

**DESCRIPTION**

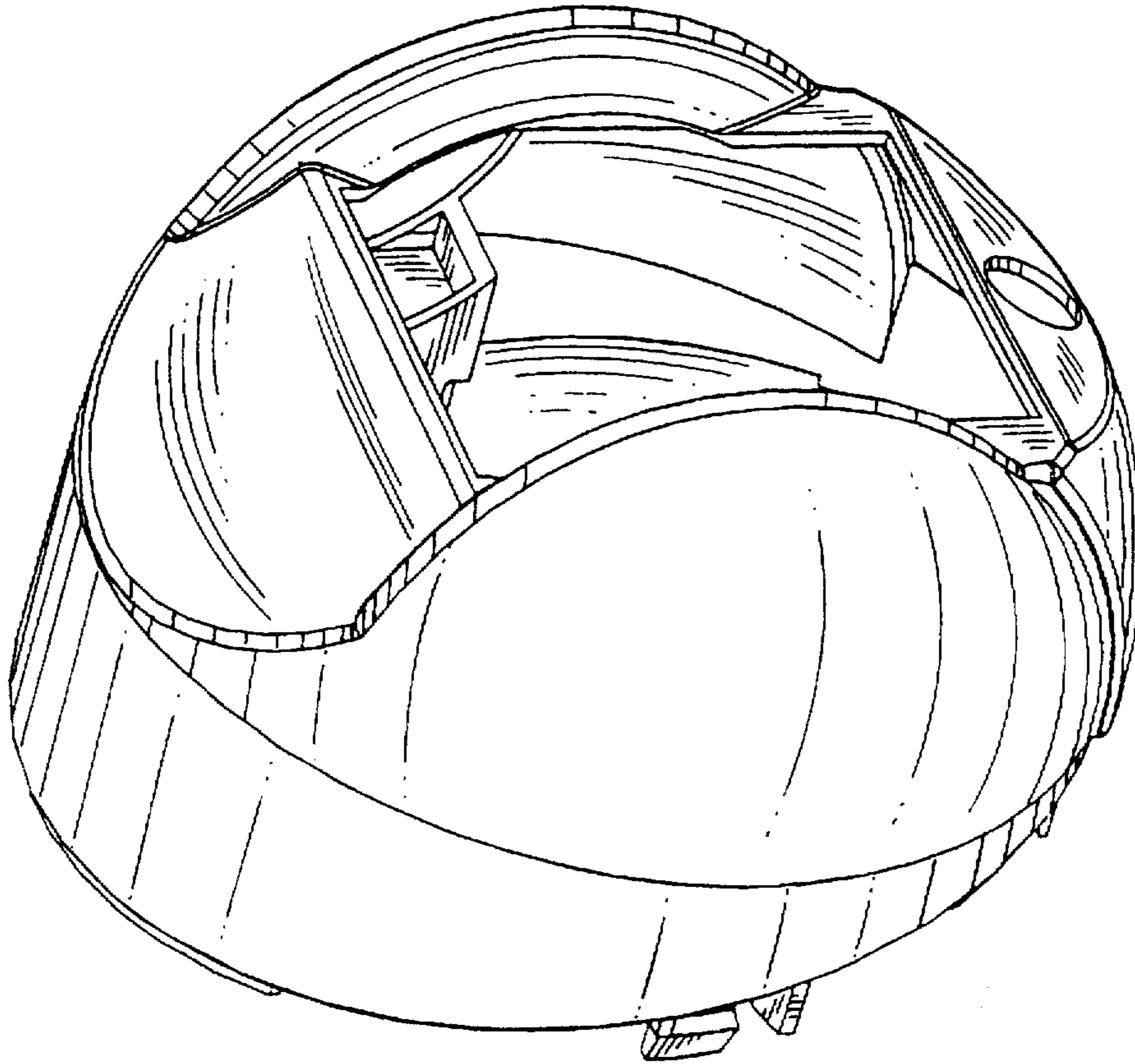
FIG. 1 is a perspective view of a tearing off mouthpiece according to the present invention;  
FIG. 2 is a front side view of the tearing off mouthpiece shown in FIG. 1;  
FIG. 3 is a right side view of the tearing off mouthpiece shown in FIG. 1;  
FIG. 4 is a left side view of the tearing off mouthpiece shown in FIG. 1;  
FIG. 5 is a top side view of the tearing off mouthpiece shown in FIG. 1; and  
FIG. 6 is a bottom side view of the tearing off mouthpiece shown in FIG. 1.

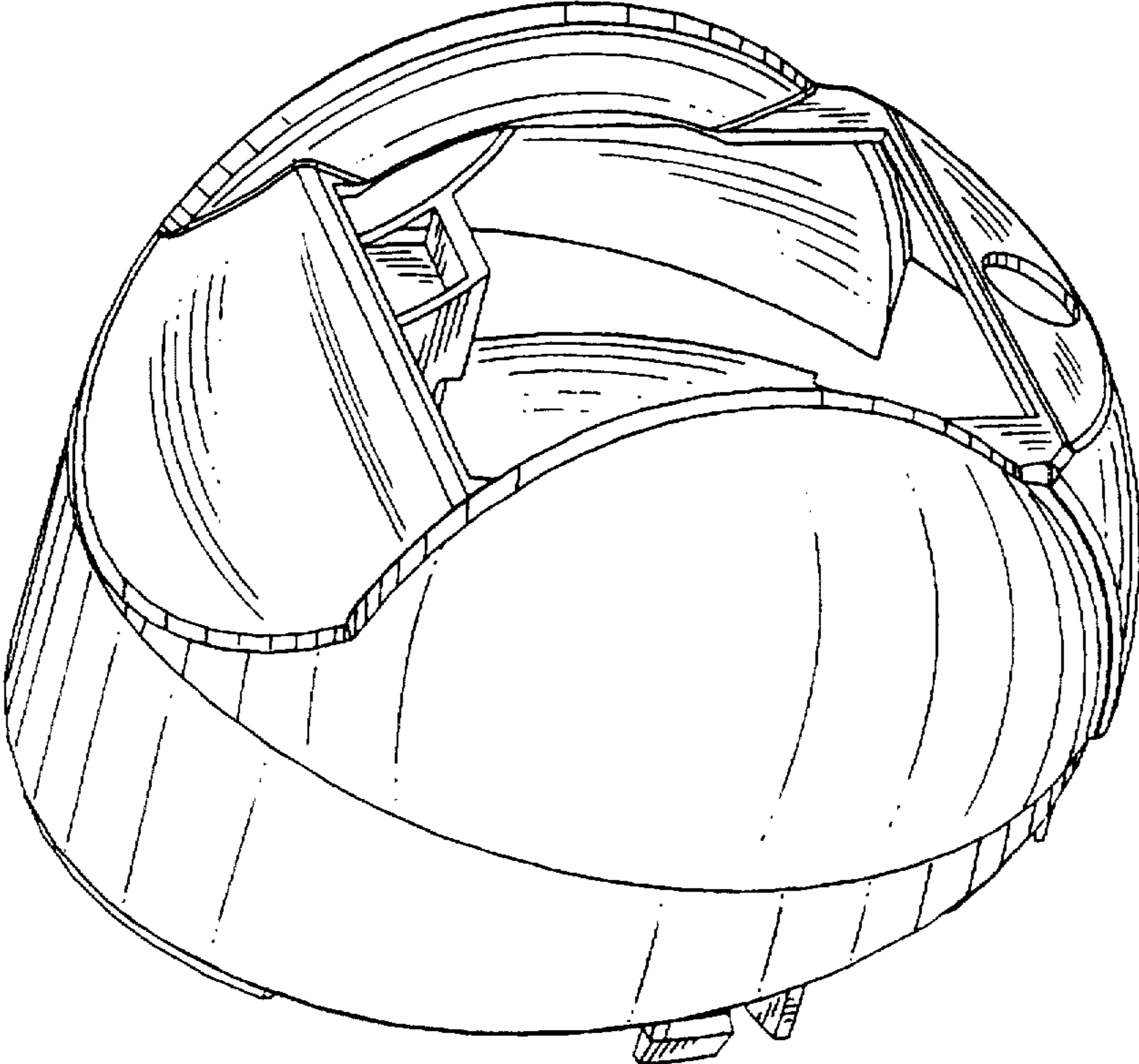
[56] **References Cited**

**U.S. PATENT DOCUMENTS**

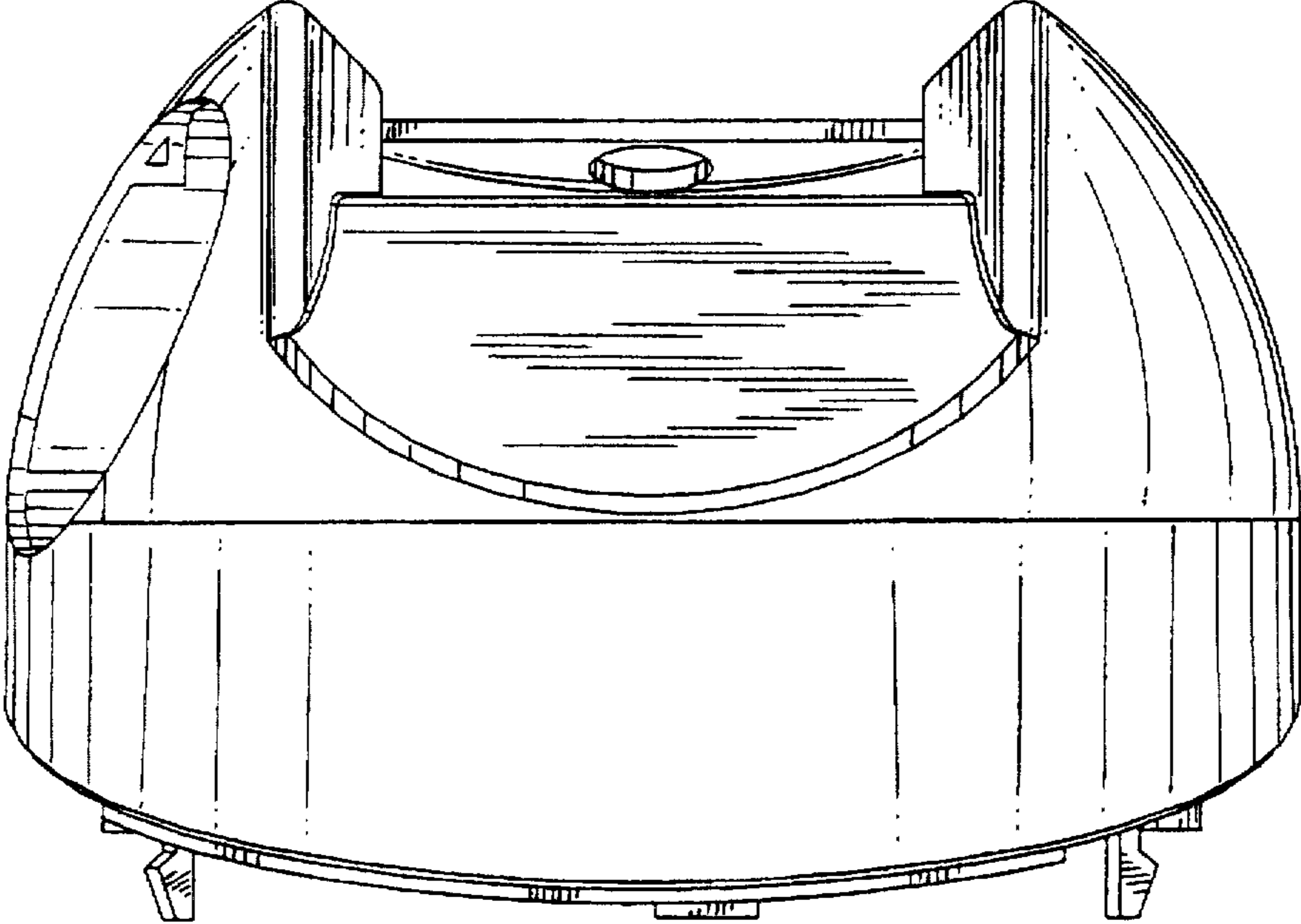
D. 237,537	11/1975	Hagglund et al. ....	D6/518
D. 296,173	6/1988	Iwarsson .....	D6/518
D. 332,193	1/1993	Petterson et al. ....	D6/518
D. 339,014	9/1993	Giugiaro .....	D6/518
D. 339,015	9/1993	Giugiaro .....	D6/518

**1 Claim, 3 Drawing Sheets**



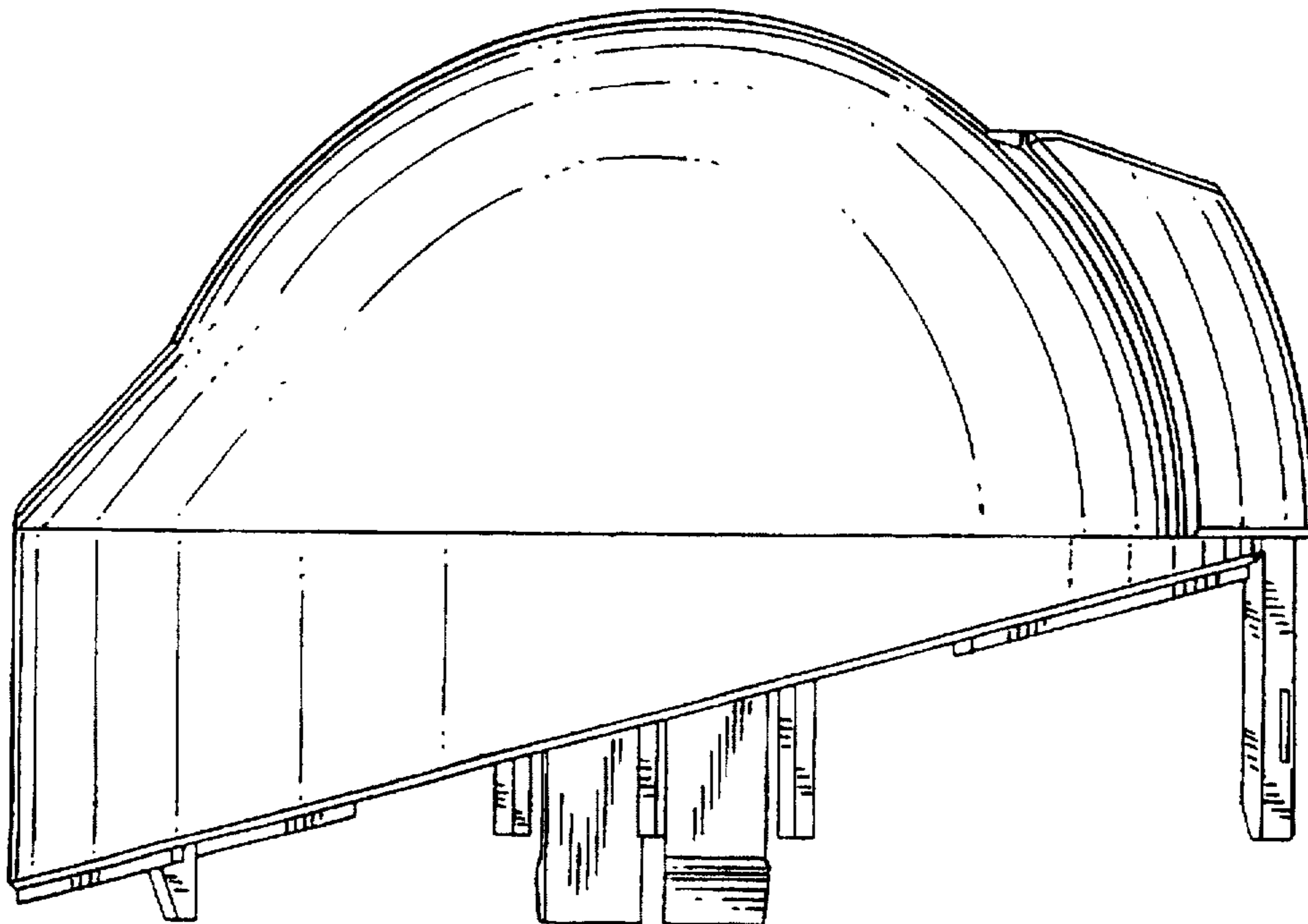
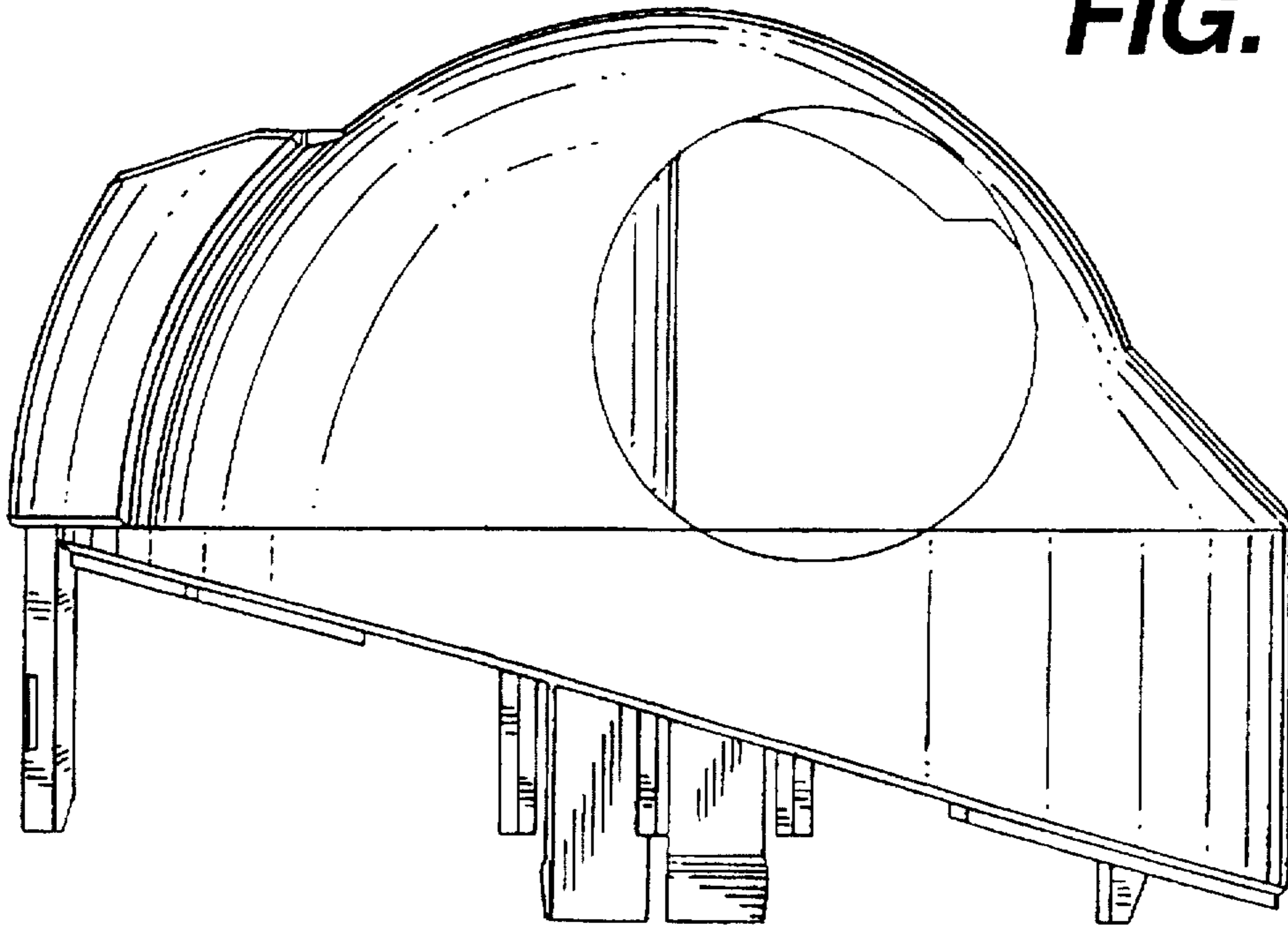


**FIG. 1**

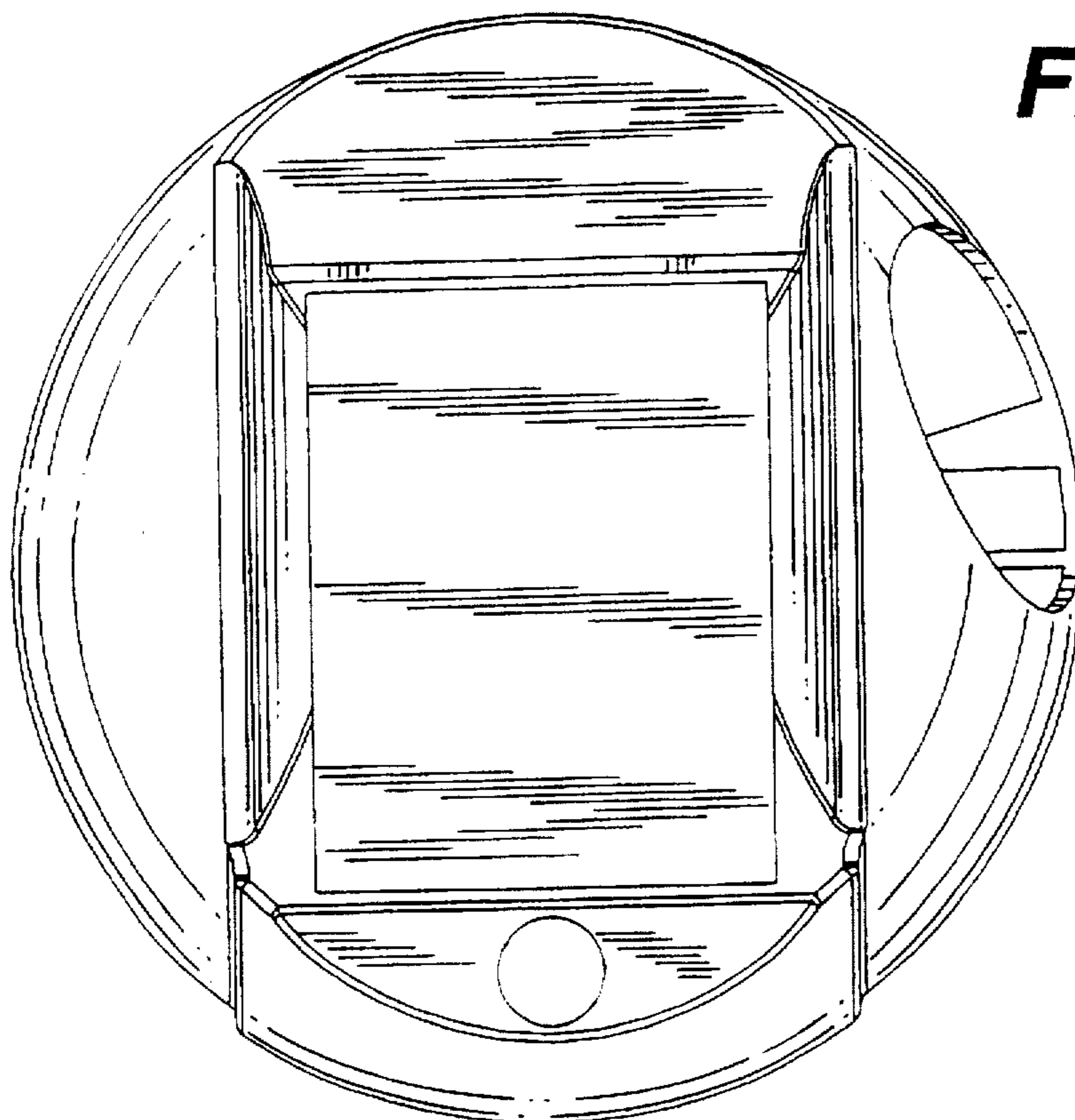


**FIG. 2**

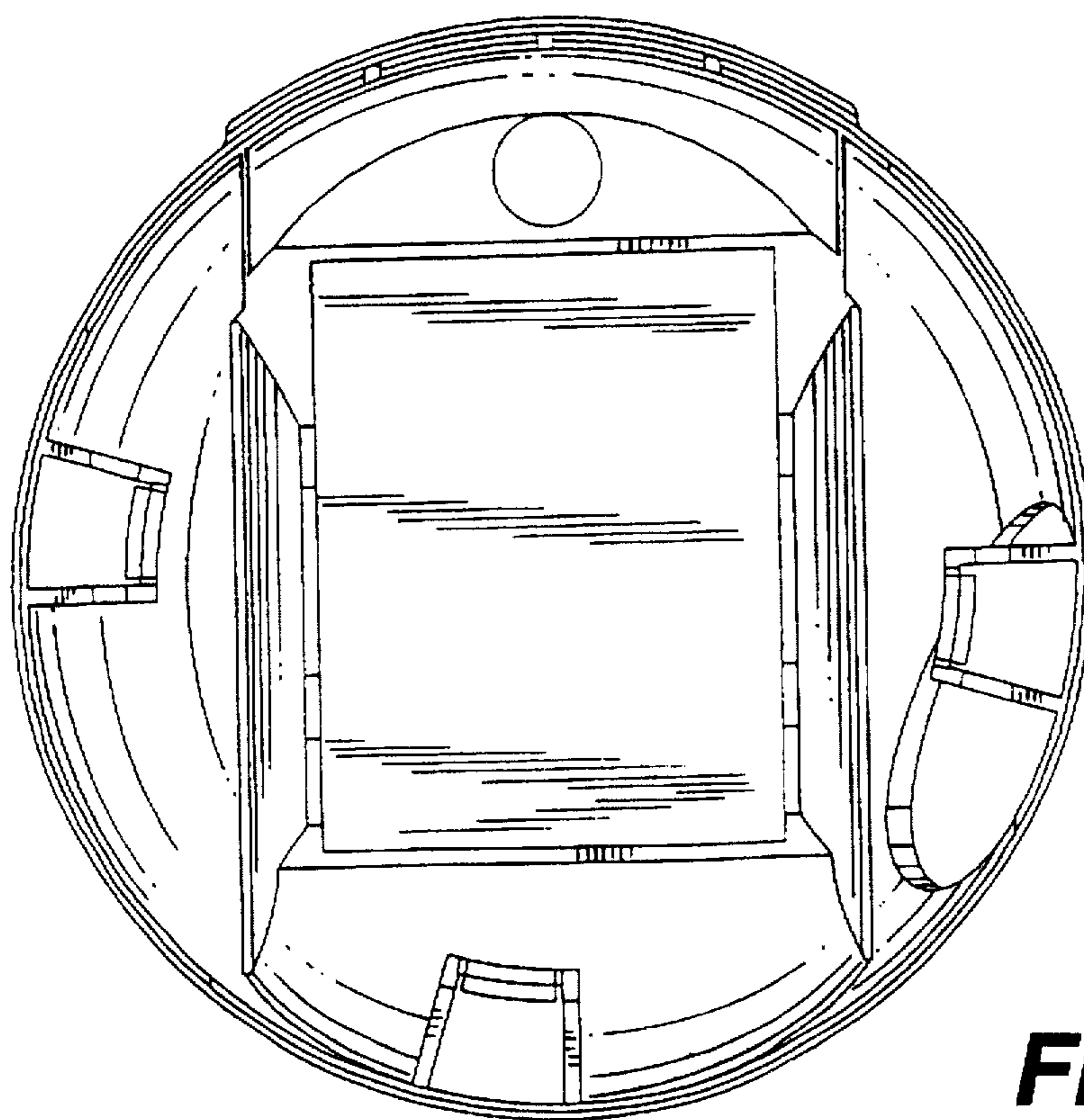
**FIG. 3**



**FIG. 4**



**FIG. 5**



**FIG. 6**