



US00D396368S

**United States Patent** [19]  
**Smakman**

[11] **Patent Number:** **Des. 396,368**  
[45] **Date of Patent:** **\*\*Jul. 28, 1998**

[54] **STRING DISPENSER**

[75] **Inventor:** **Jacobus Jozef Smakman**, Lisse,  
Netherlands

[73] **Assignee:** **Harry Vernooij B.V.**, Sassenheim,  
Netherlands

[\*\*] **Term:** **14 Years**

[21] **Appl. No.:** **51,116**

[22] **Filed:** **Mar. 4, 1996**

[30] **Foreign Application Priority Data**

Sep. 11, 1995 [XH] Hague Agreement ..... DM/034100

[51] **LOC (6) Cl.** ..... **06-02**

[52] **U.S. Cl.** ..... **D6/515**

[58] **Field of Search** ..... D6/515, 571, 574;  
248/309.1, 316.8; 223/106; 242/129.5, 129.6,  
140, 157.1

[56] **References Cited**

**U.S. PATENT DOCUMENTS**

D. 335,524 5/1993 Dillashaw ..... D6/515

*Primary Examiner*—Marcus A. Jackson  
*Attorney, Agent, or Firm*—Hill & Simpson

[57] **CLAIM**

The ornamental design for a string dispenser, as shown and described.

**DESCRIPTION**

FIG. 1 is a perspective view taken from the left front of the string dispenser according to my invention;

FIG. 2 is a front elevational view of the string dispenser of FIG. 1;

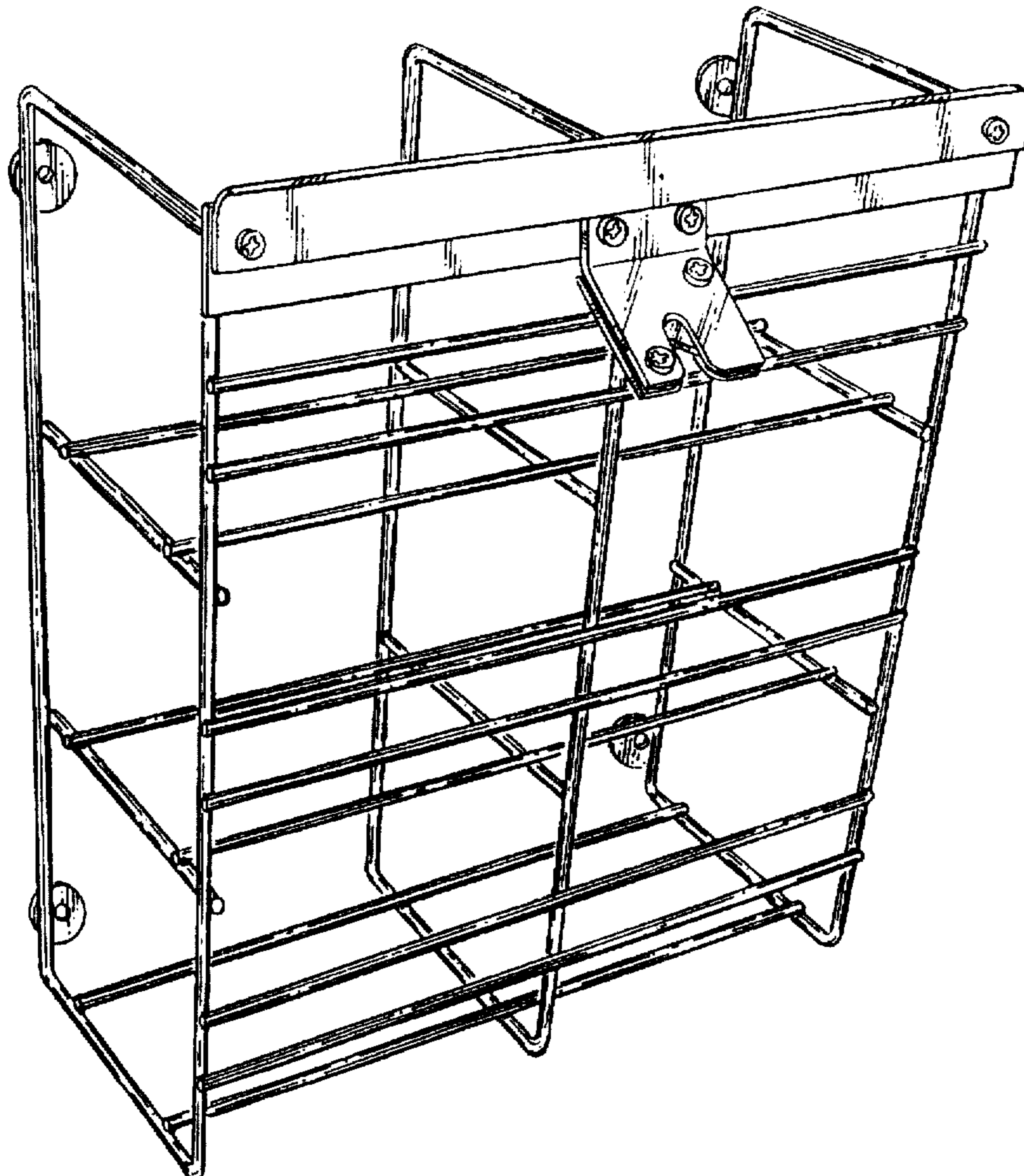
FIG. 3 is a back elevational view of the string dispenser of FIG. 1;

FIG. 4 is a side elevational view of the right side of the string dispenser of FIG. 1 with the left side being a mirror image;

FIG. 5 is a top plan view of the string dispenser of FIG. 1; and,

FIG. 6 is a bottom plan view of the string dispenser of FIG. 1.

**1 Claim, 4 Drawing Sheets**



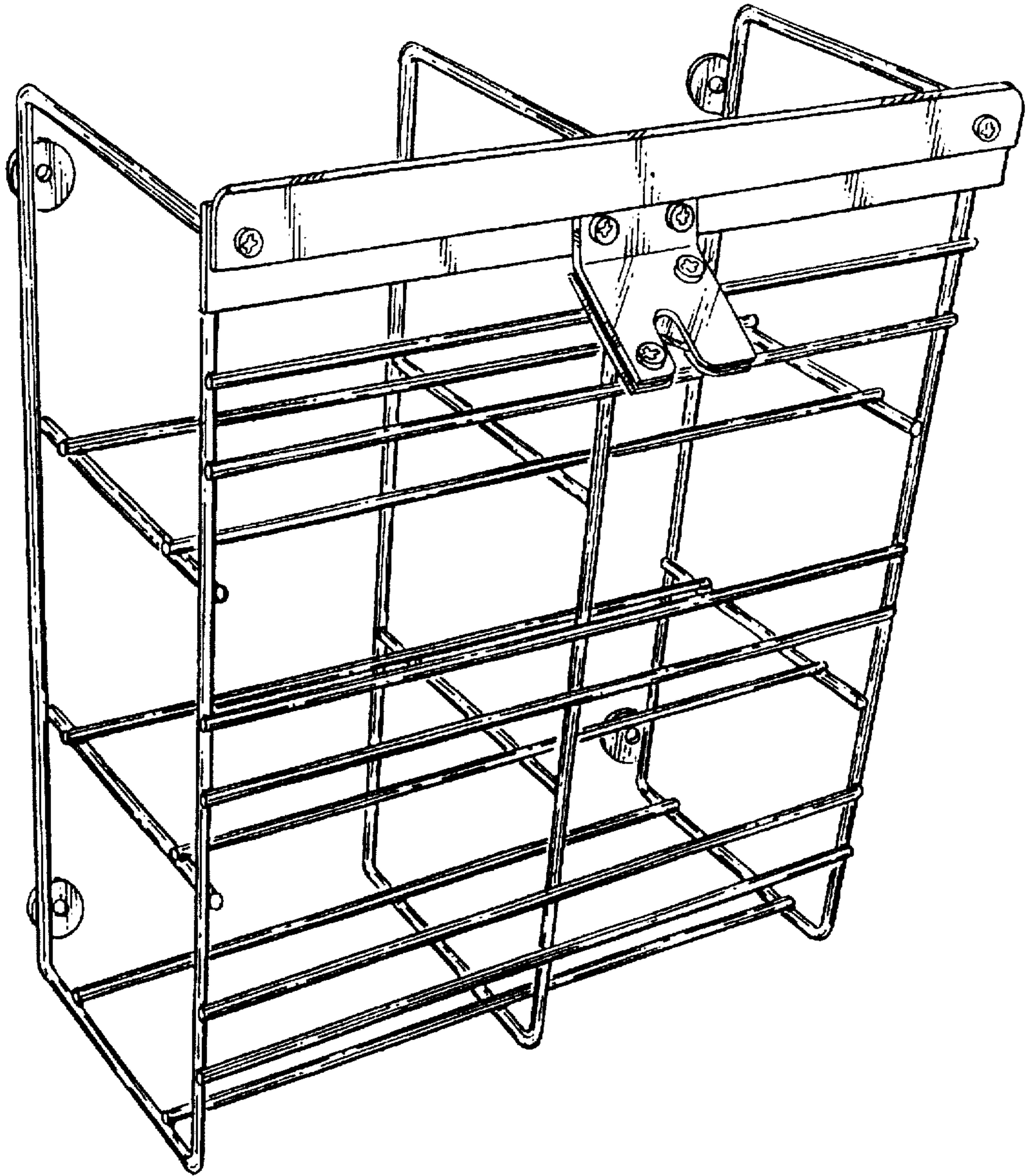


Fig. 1

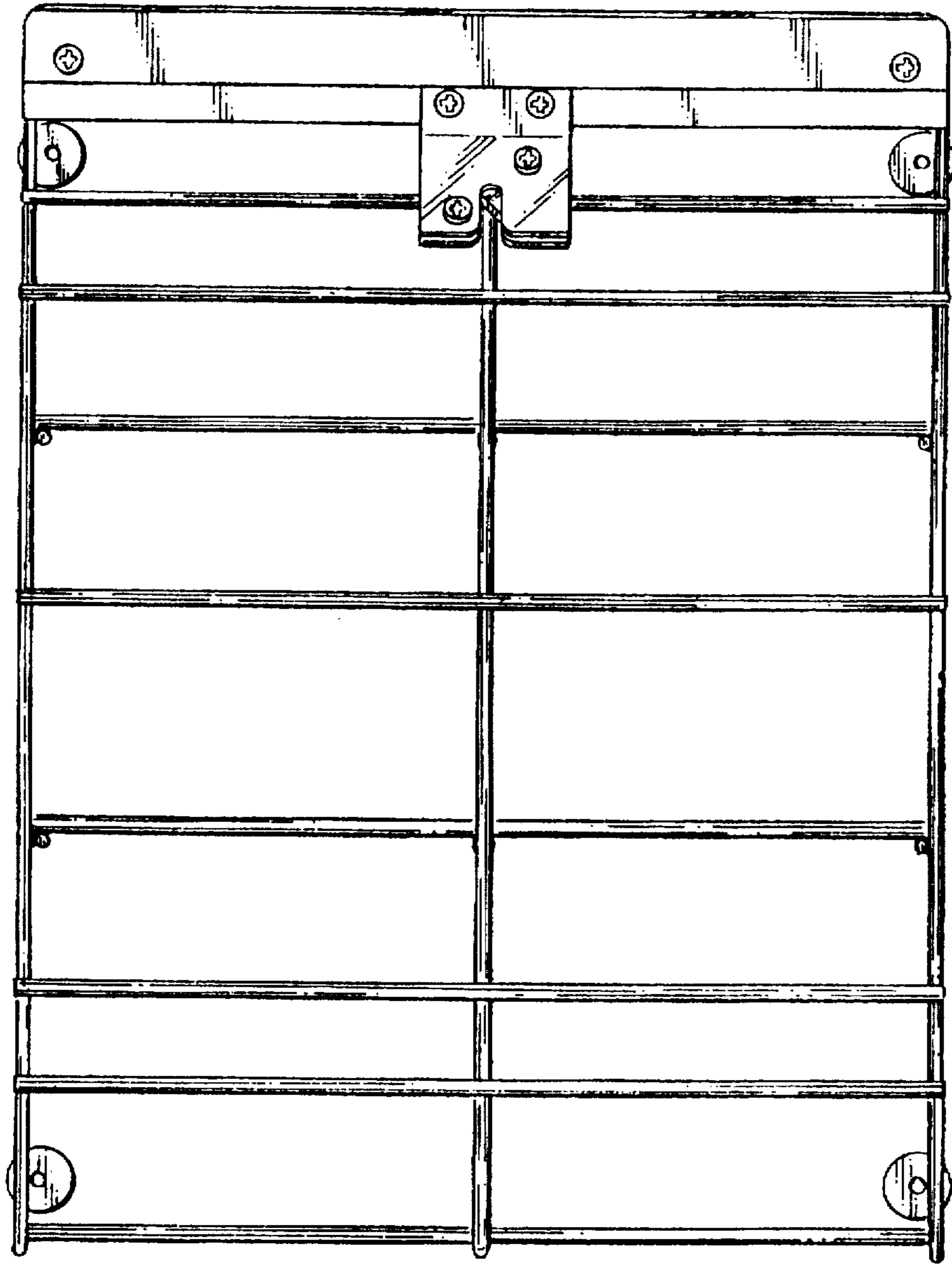


Fig. 2

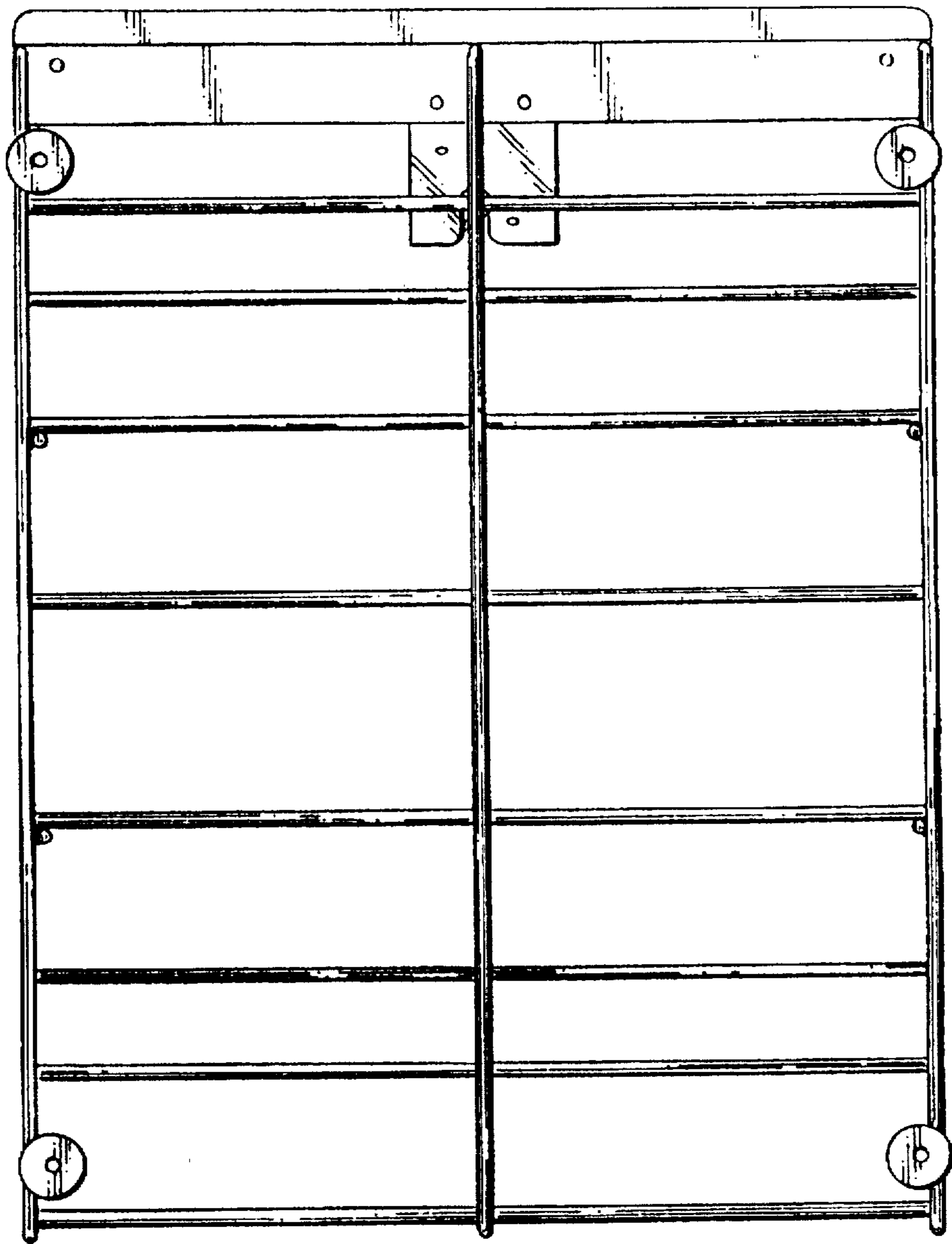


Fig. 3

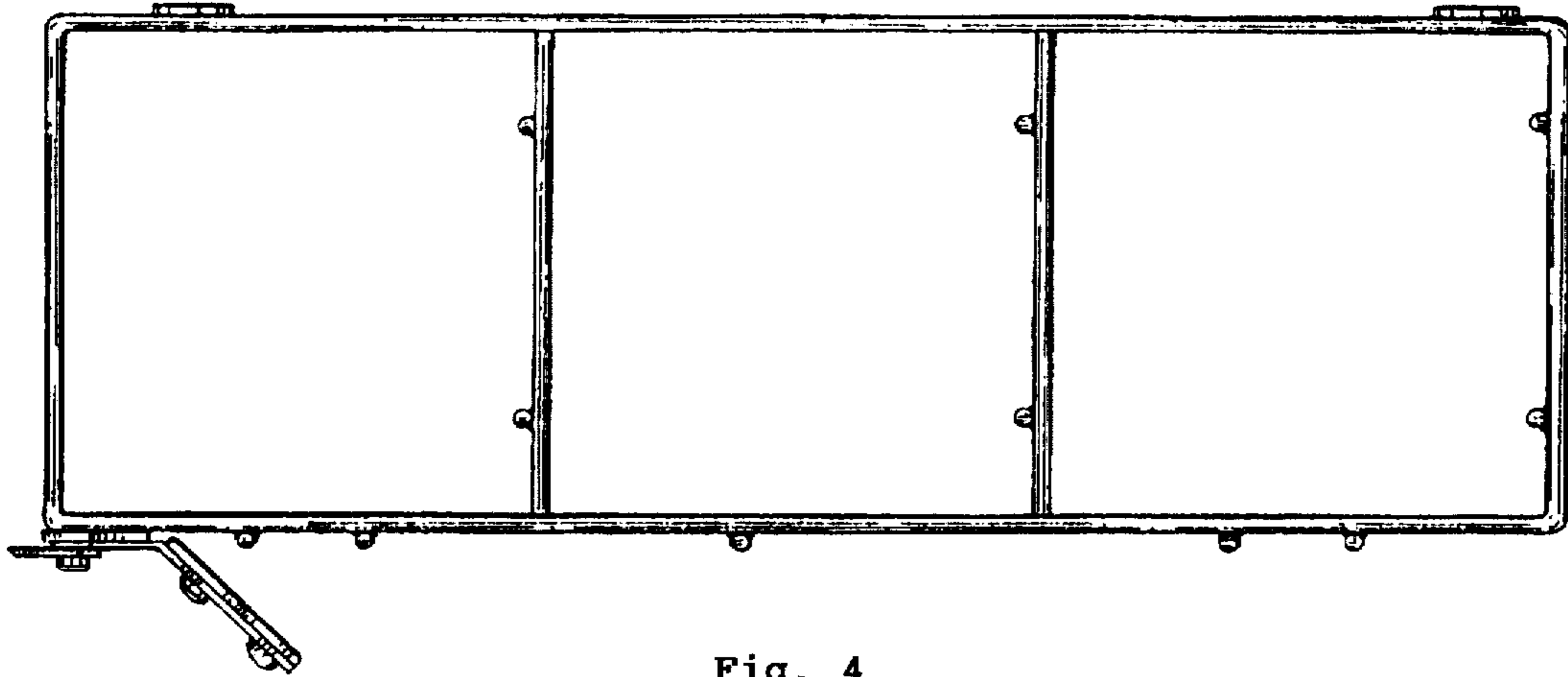


Fig. 4

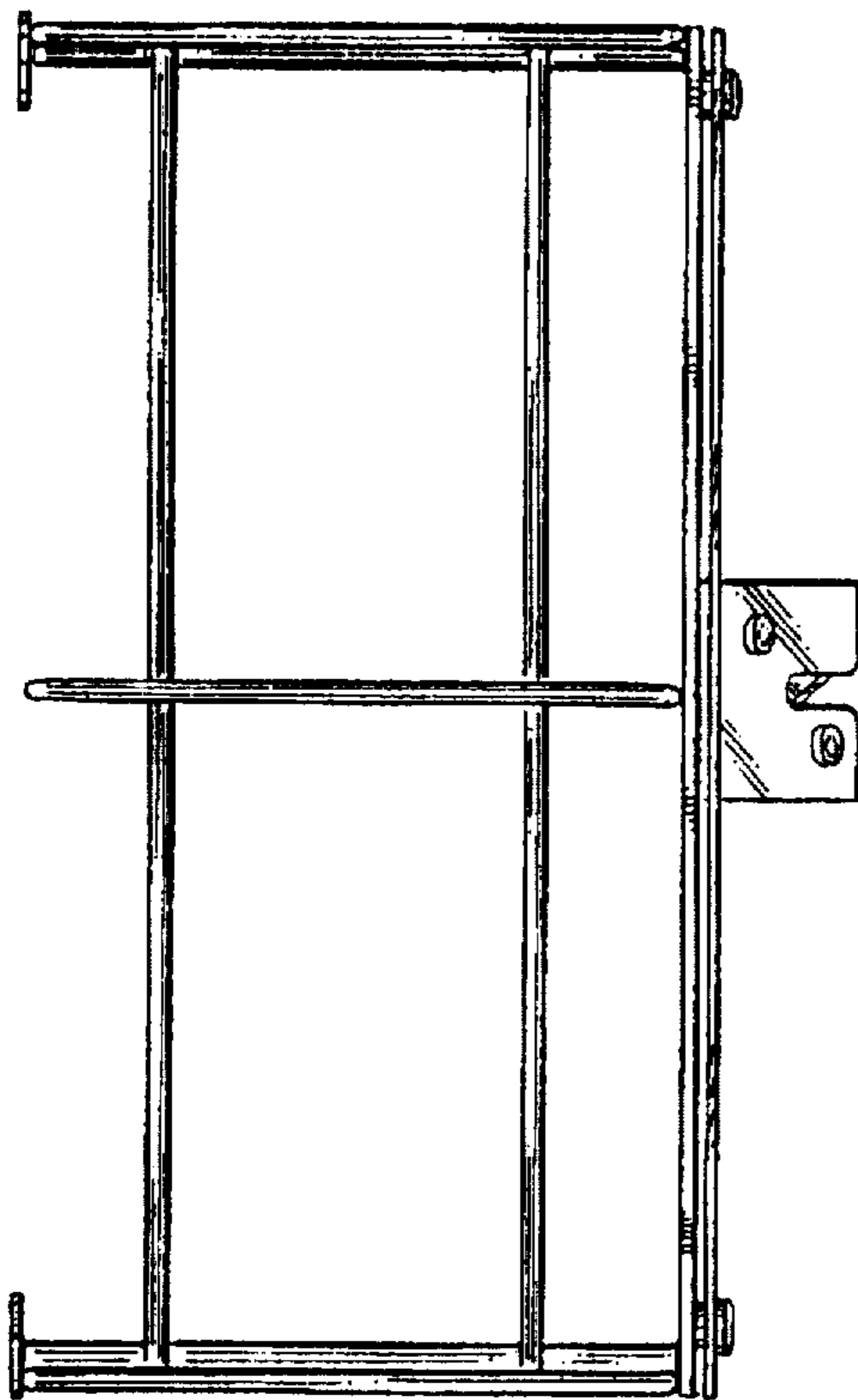


Fig. 5

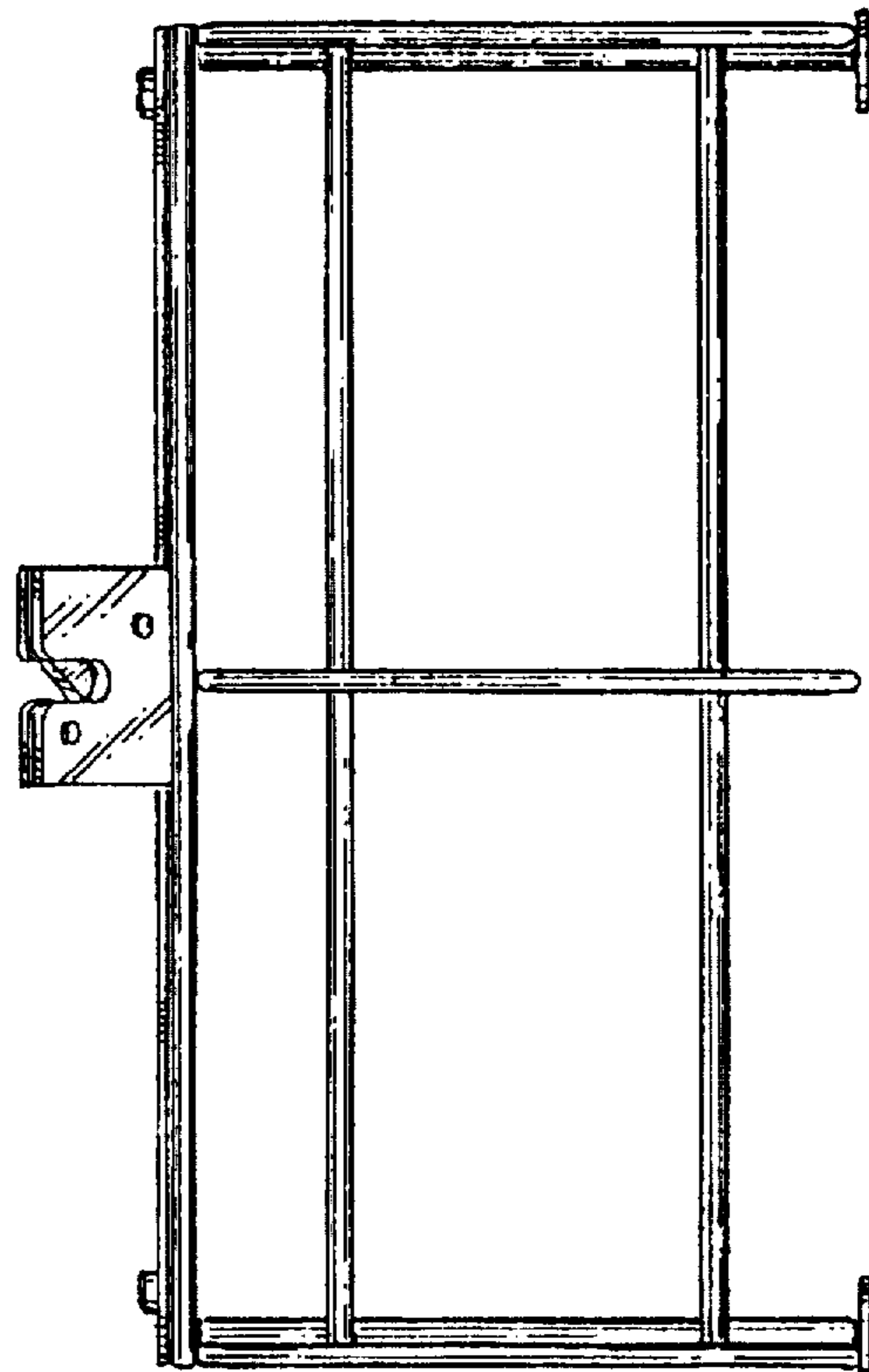


Fig. 6