



US00D396363S

United States Patent [19]
Skrum

[11] **Patent Number:** **Des. 396,363**
[45] **Date of Patent:** ****Jul. 28, 1998**

[54] **JEWELRY ORGANIZER**

[76] **Inventor:** **Clarence W. Skrum**, 7152 Lee Rd.,
Rte. 1, Lodi, Wis. 53555

[**] **Term:** **14 Years**

[21] **Appl. No.:** **74,258**

[22] **Filed:** **Jul. 31, 1997**

[51] **LOC (6) Cl.** **06-04**

[52] **U.S. Cl.** **D6/469; D6/462**

[58] **Field of Search** **D6/461, 462, 457,**
D6/465-468, 469, 411, 315, 414, 317, 475;
211/1, 13.1, 133.1, 163, 182, 85.2, 88.01,
87.01, 59.1; D32/58, 65; 206/495, 561,
564, 566, 6.1; 248/176.1

[56] **References Cited**

U.S. PATENT DOCUMENTS

- D. 142,018 8/1945 Campbell 211/13.1 X
- D. 314,104 1/1991 Johnson D6/469 X
- D. 315,460 3/1991 Sorce, Jr. D6/469
- D. 335,593 5/1993 France D6/457

- D. 352,190 11/1994 Tucker D6/469 X
- 3,204,779 9/1965 Warner 211/182 X
- 4,282,976 8/1981 Fitzgerald 211/59.1
- 5,033,625 7/1991 Campbell 211/85.2
- 5,394,983 3/1995 Latulippe et al. 206/564 X
- 5,607,130 3/1997 Smay et al. 248/176.1 X

Primary Examiner—James Gandy
Assistant Examiner—Linda Brooks
Attorney, Agent, or Firm—Andrus, Scales, Starke & Sawall

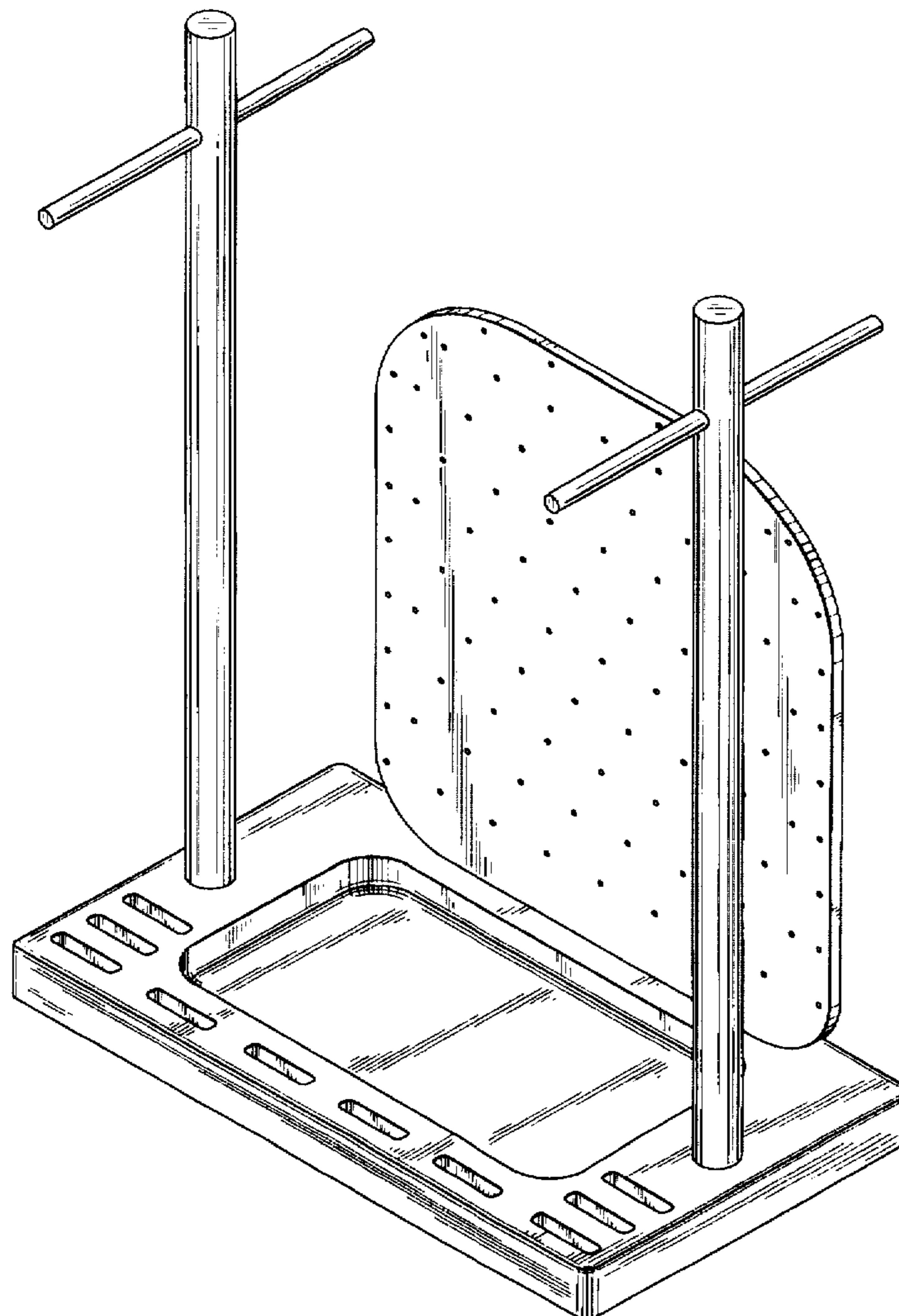
[57] **CLAIM**

The ornamental design for a jewelry organizer, as shown and described.

DESCRIPTION

FIG. 1 is a perspective view of the jewelry organizer;
FIG. 2 is a front view of the jewelry organizer;
FIG. 3 is a left side view of the jewelry organizer;
FIG. 4 is a top plan of the jewelry organizer;
FIG. 5 is a section taken along line 5—5 of FIG. 4; and,
FIG. 6 is a section taken along line 6—6 of FIG. 4.

1 Claim, 6 Drawing Sheets



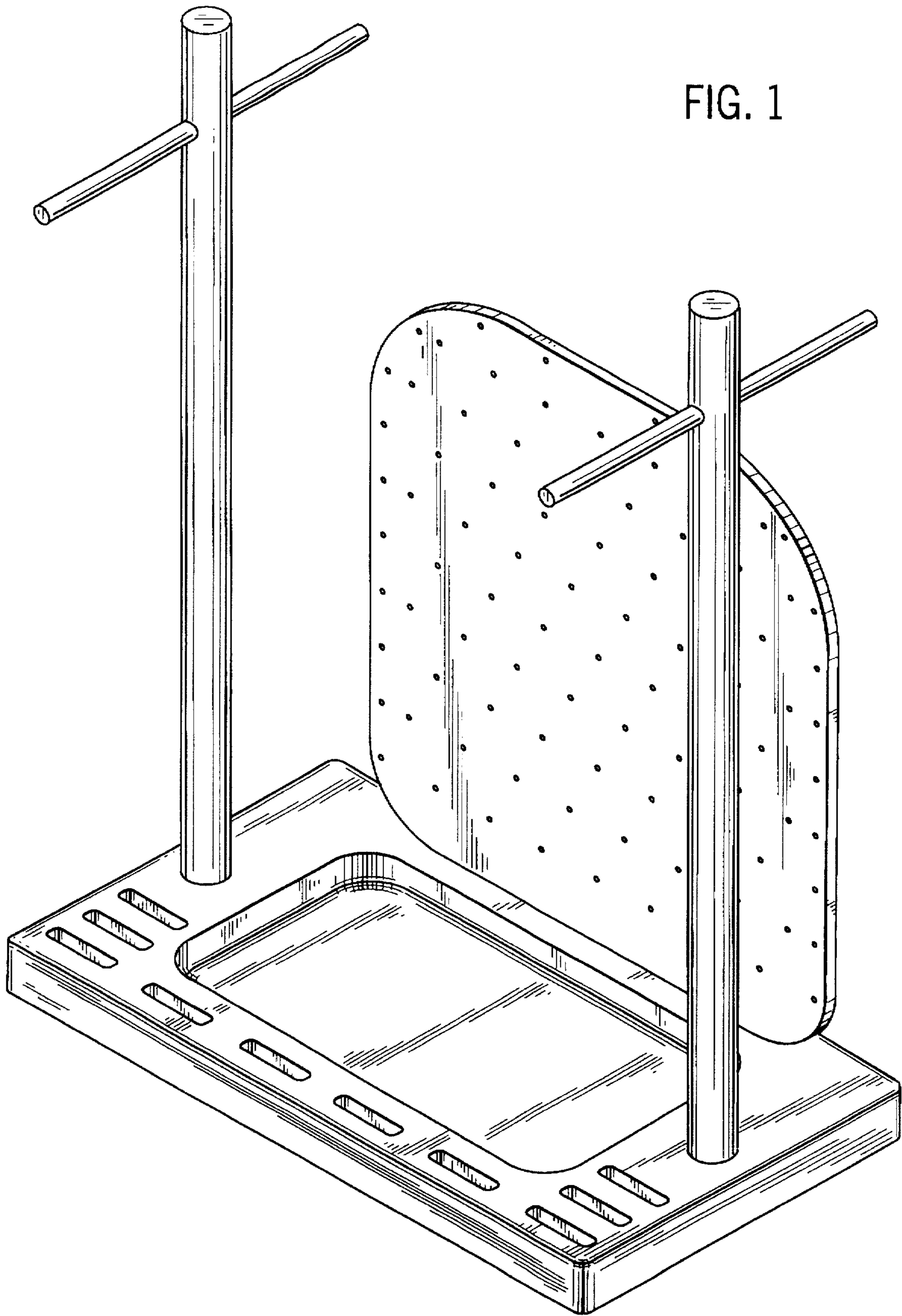


FIG. 1

FIG. 2

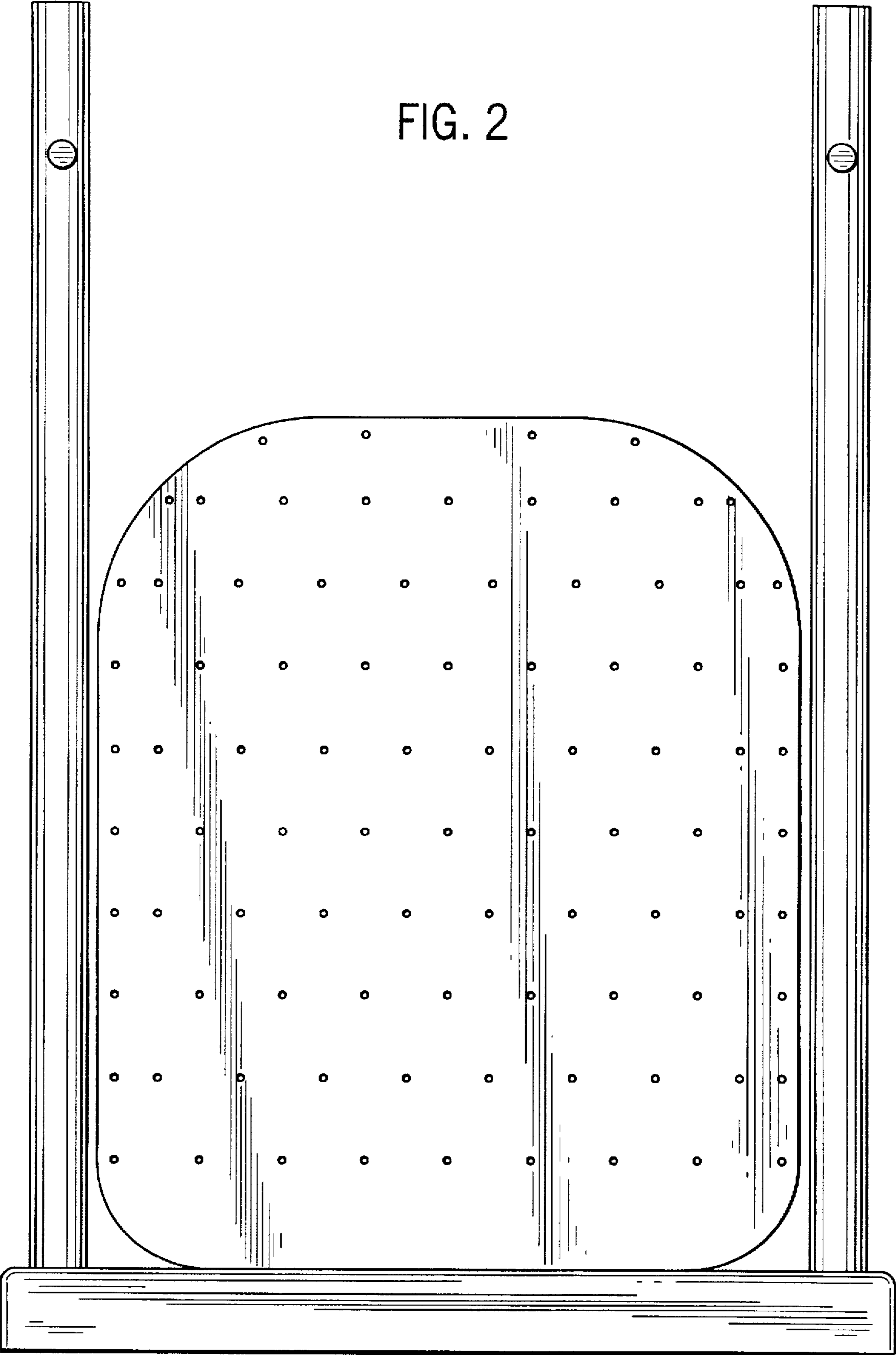


FIG. 3

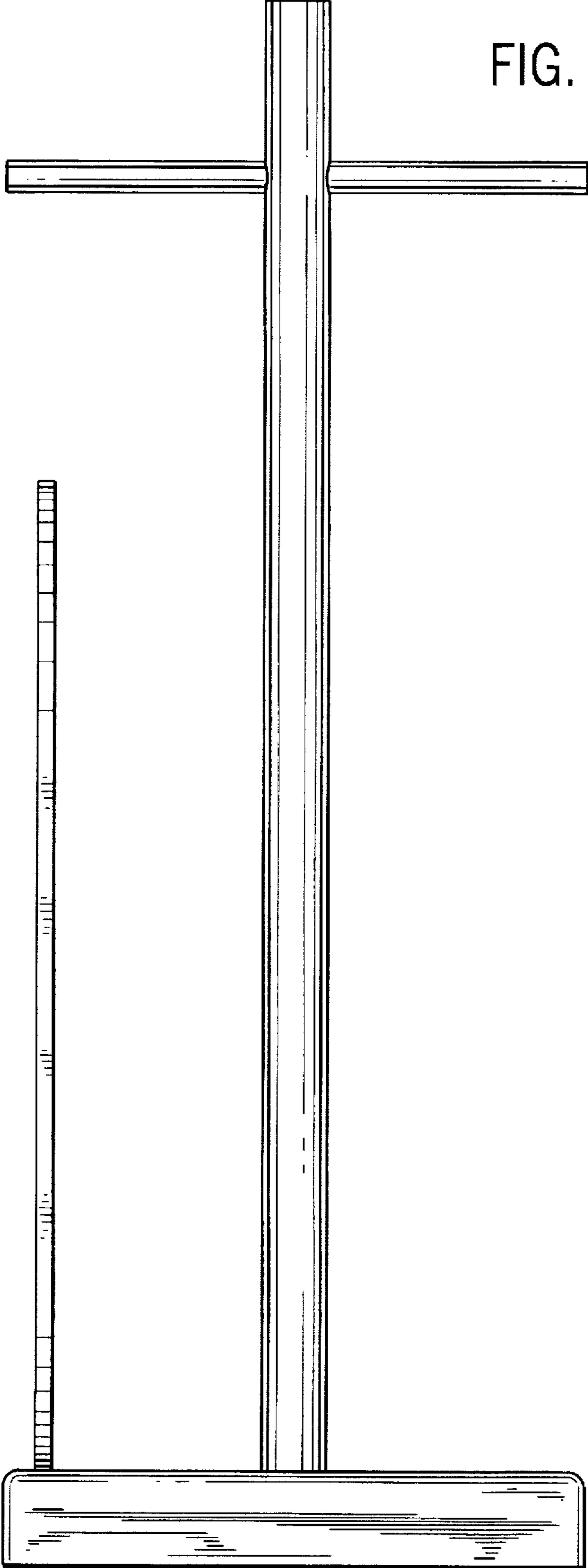


FIG. 4

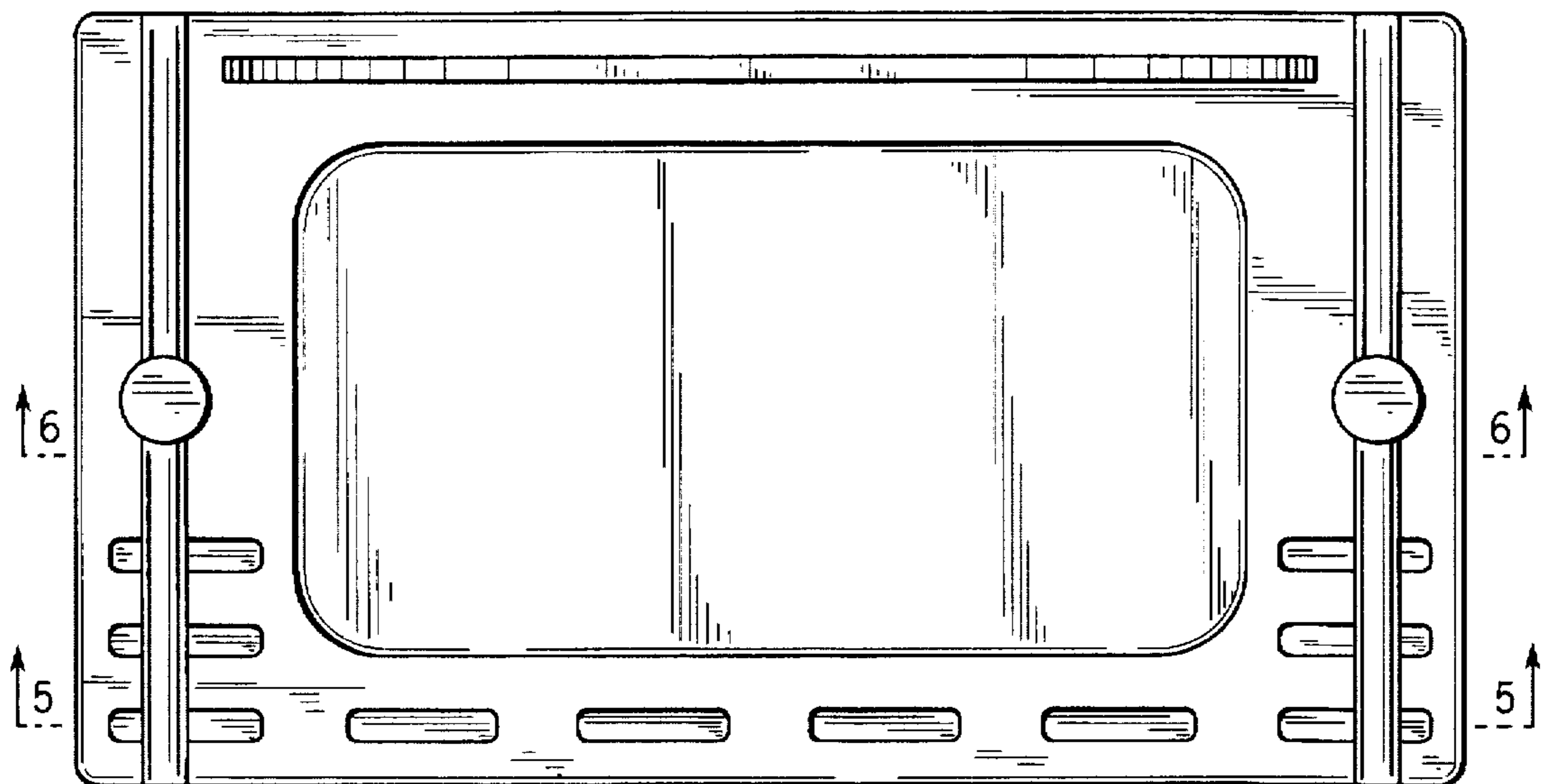


FIG. 5

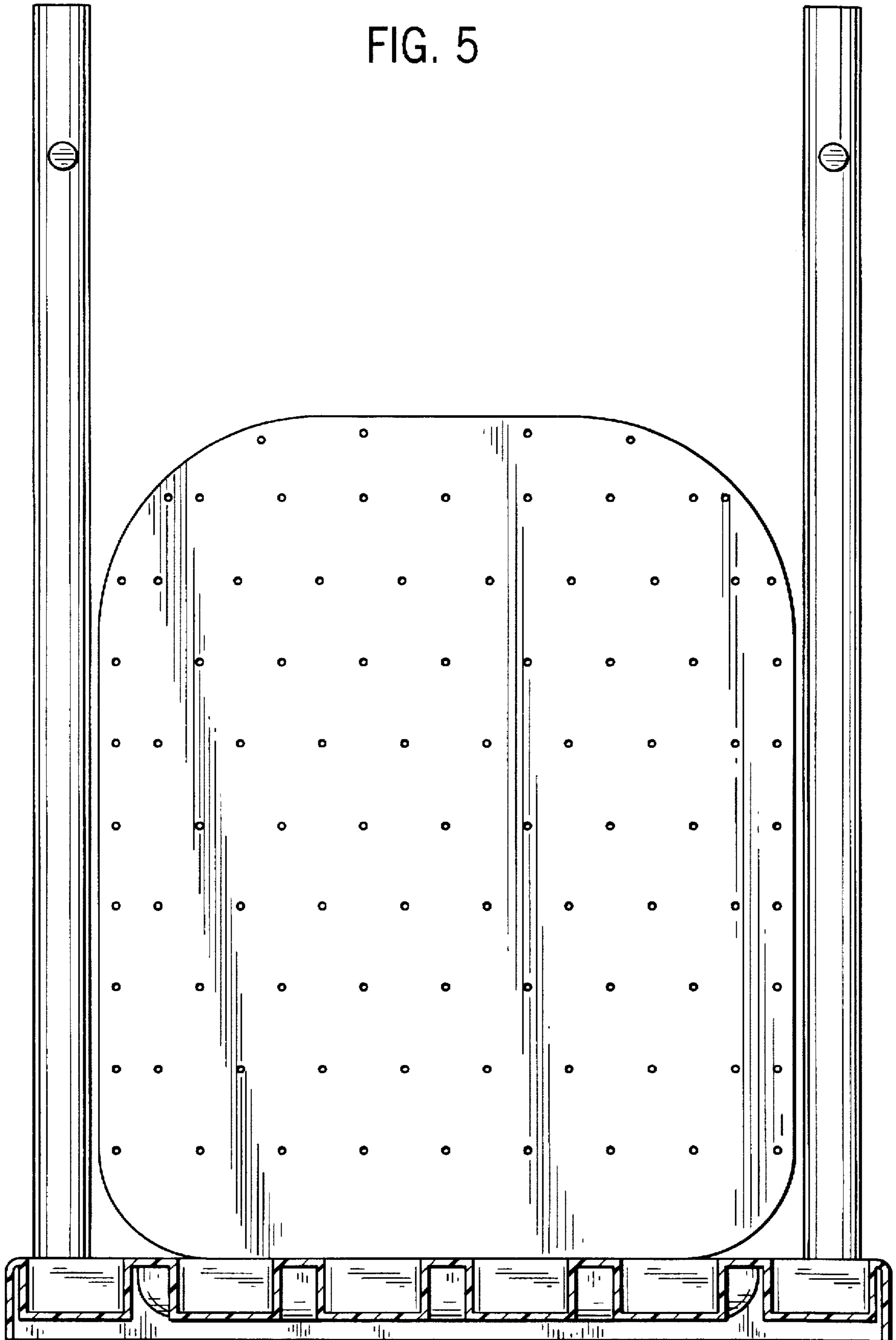


FIG. 6

