



US00D396356S

# United States Patent [19] Petersen

[11] Patent Number: **Des. 396,356**  
[45] Date of Patent: **\*\*Jul. 28, 1998**

## [54] PICNIC TABLE

[76] Inventor: **Chris C. Petersen**, 1523 1st Ave. South, Denison, Iowa 51442

[\*\*] Term: **14 Years**

[21] Appl. No.: **68,590**

[22] Filed: **Mar. 11, 1997**

[51] LOC (6) Cl. .... **06-01**

[52] U.S. Cl. .... **D6/337**

[58] Field of Search ..... D6/334, 335, 336, D6/337, 500, 501, 502; 297/158.3

## [56] References Cited

### U.S. PATENT DOCUMENTS

D. 218,051	7/1970	Schupbach et al. ....	D6/337
D. 242,305	11/1976	Campbell et al. ....	D6/337
D. 242,306	11/1976	Campbell et al. ....	D6/337
D. 244,409	5/1977	Arnold .....	D6/337

## OTHER PUBLICATIONS

Petersen Mfg. Co. "Concrete Accessories" Brochure—Undated.

*Primary Examiner*—Gary D. Watson  
*Attorney, Agent, or Firm*—Zarley, McKee, Thomte, Voorhees & Sease; Dennis L. Thomte

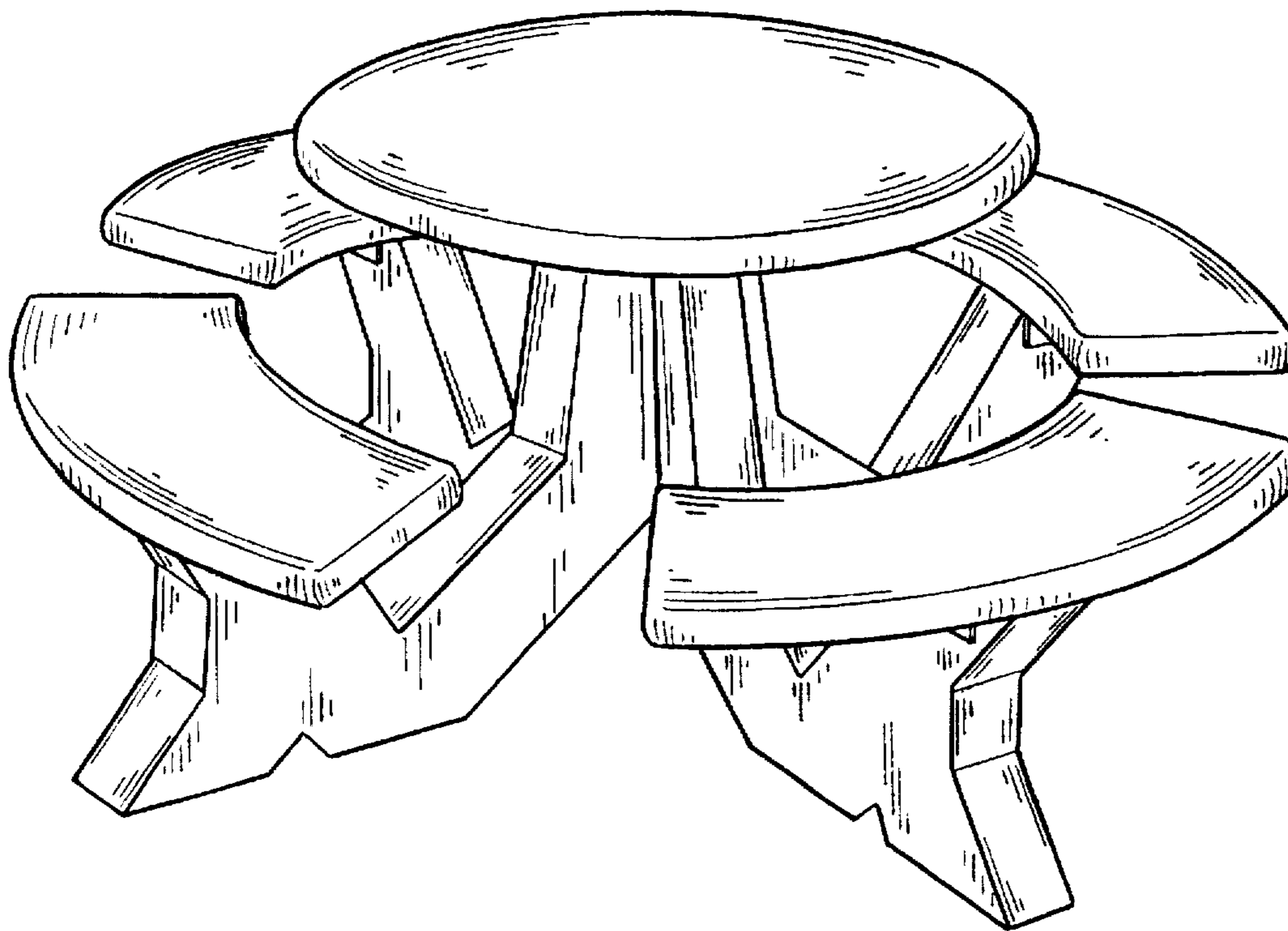
## [57] CLAIM

The ornamental design for a picnic table, as shown and described.

## DESCRIPTION

FIG. 1 is a perspective view of the picnic table;  
FIG. 2 is top view of the picnic table;  
FIG. 3 is a side elevational view of the picnic table, it being understood that the other sides are identical; and,  
FIG. 4 is a bottom view of the picnic table.

**1 Claim, 2 Drawing Sheets**



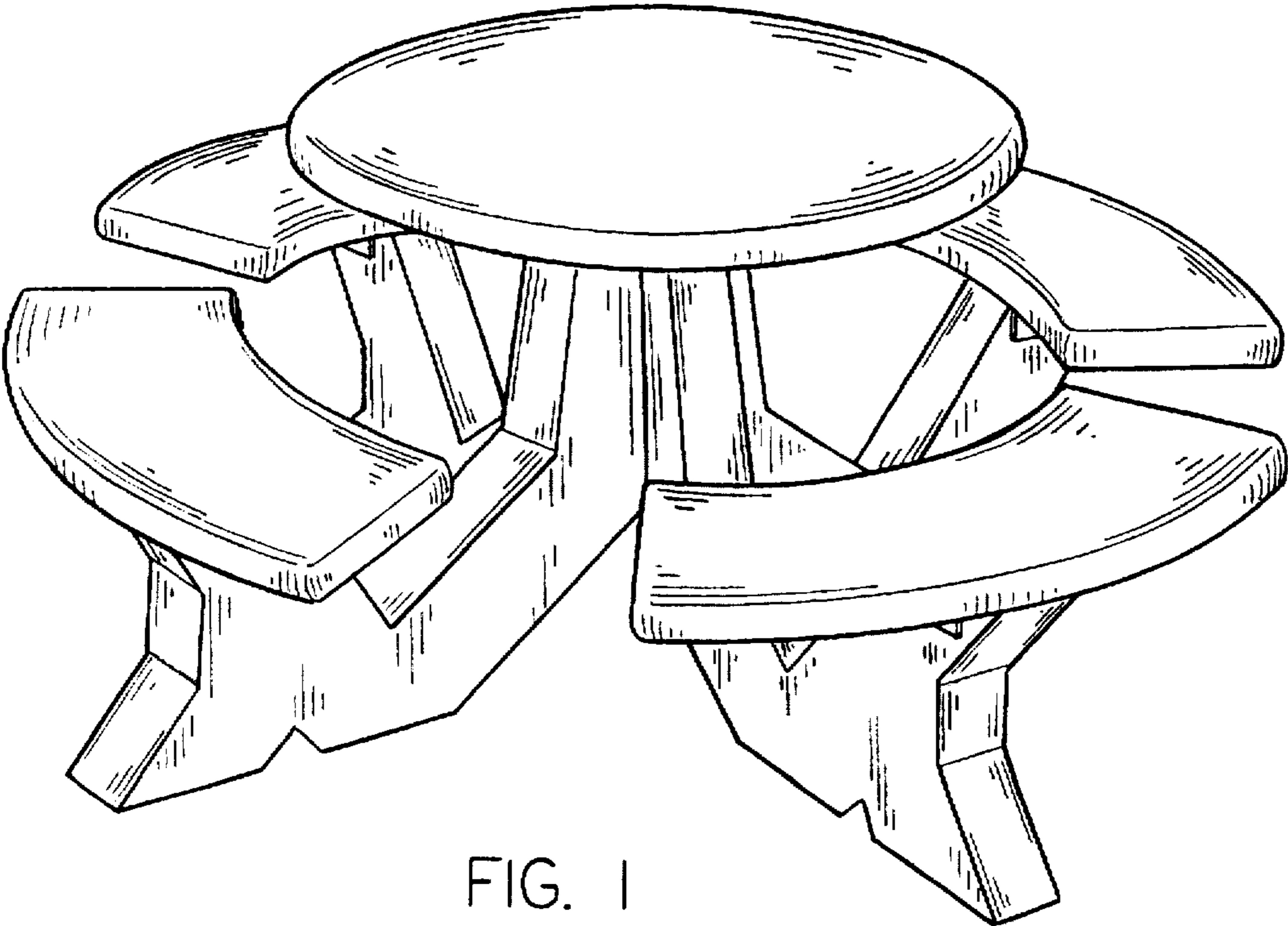


FIG. 1

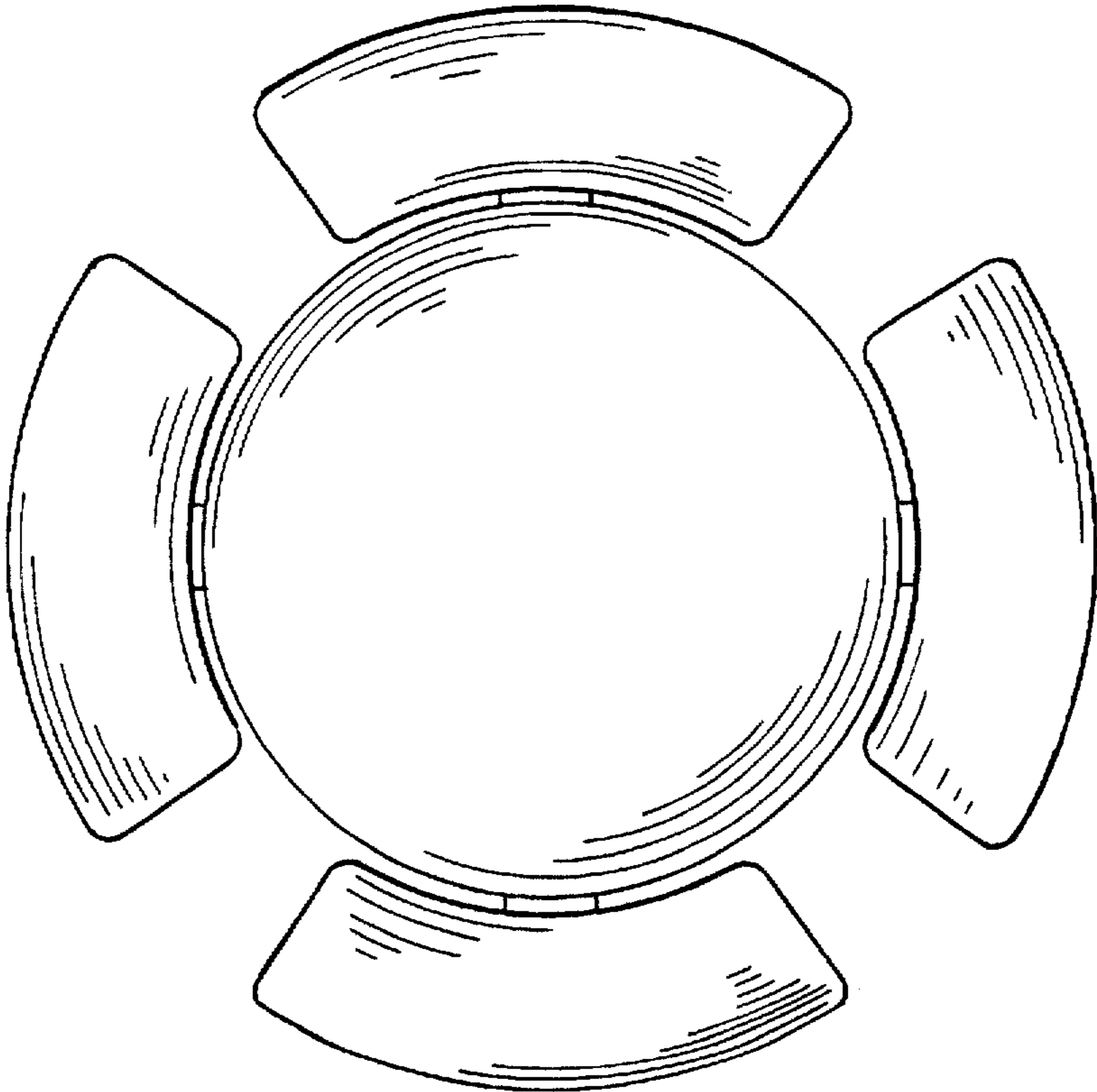


FIG. 2

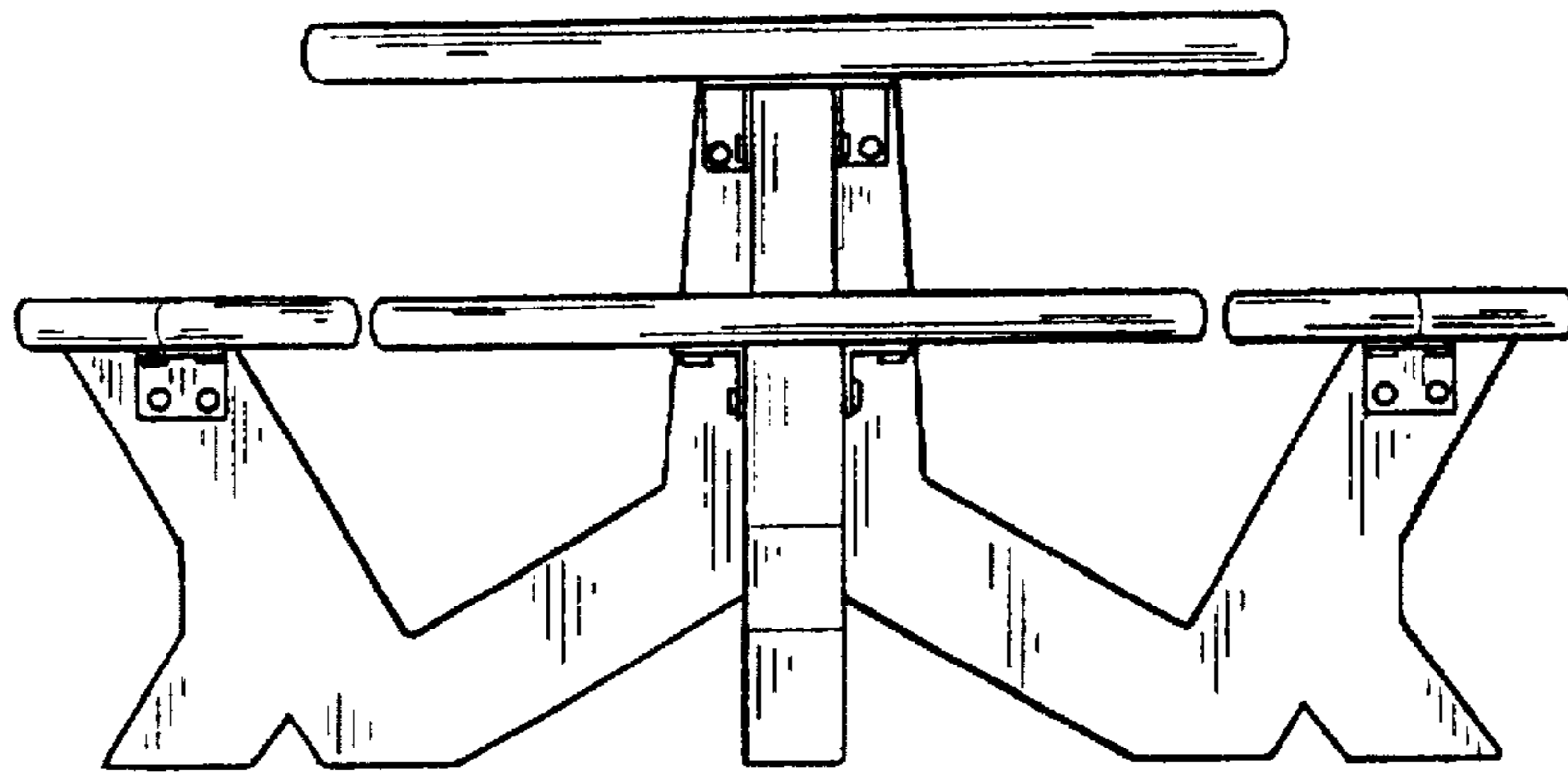


FIG. 3

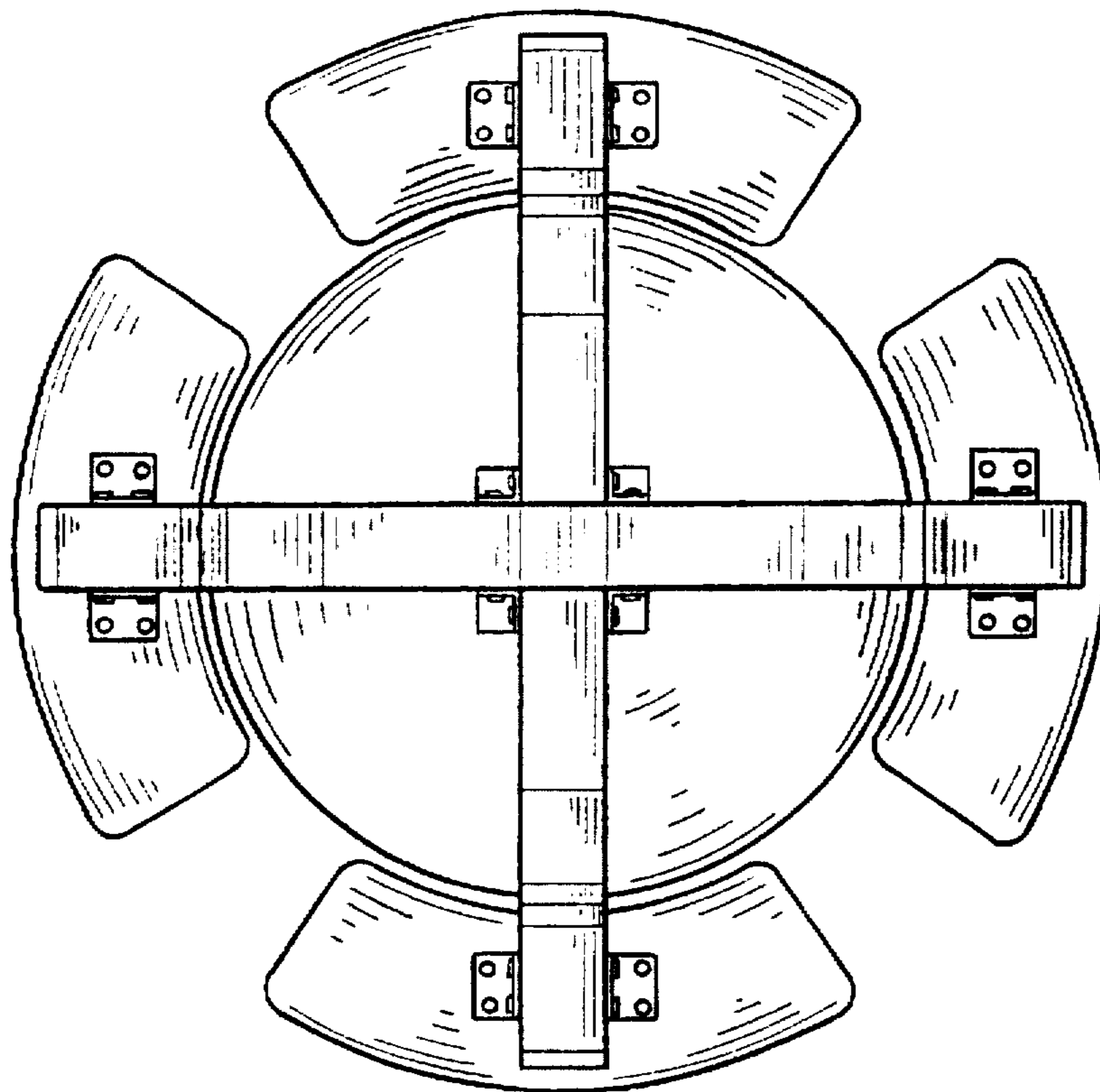


FIG. 4