



US00D396355S

**United States Patent** [19]  
**Godbersen**

[11] **Patent Number:** **Des. 396,355**  
[45] **Date of Patent:** **\*\*Jul. 28, 1998**

[54] **SEAT BENCH**

[76] **Inventor:** **Bruce L. Godbersen**, 282 LaJune Ave.,  
Ida Grove, Iowa 51445

[\*\*] **Term:** **14 Years**

[21] **Appl. No.:** **73,503**

[22] **Filed:** **Jul. 14, 1997**

[51] **LOC (6) Cl.** ..... **06-01**

[52] **U.S. Cl.** ..... **D6/336**

[58] **Field of Search** ..... D6/334, 335, 336,  
D6/349, 364, 370, 381, 432, 440, 500,  
501, 502; 297/88.08, 88.09

[56] **References Cited**

**U.S. PATENT DOCUMENTS**

D. 78,508	5/1929	Duke	.....	D6/336
D. 101,895	11/1936	Stoddard	.....	D6/336
D. 131,001	1/1942	Abramson	.....	D6/336
D. 238,635	2/1976	Curtin	.....	D6/336

D. 245,297	8/1977	Curtin	.....	D6/336
D. 261,834	11/1981	Stebbins	.....	D6/381
D. 282,610	2/1986	Palmer	.....	D6/381
D. 298,186	10/1988	Brannon	.....	D6/336
D. 321,613	11/1991	Gandy	.....	D6/440
D. 381,223	7/1997	Brunner et al.	.....	D6/440

*Primary Examiner*—Gary D. Watson  
*Attorney, Agent, or Firm*—Henderson & Sturm

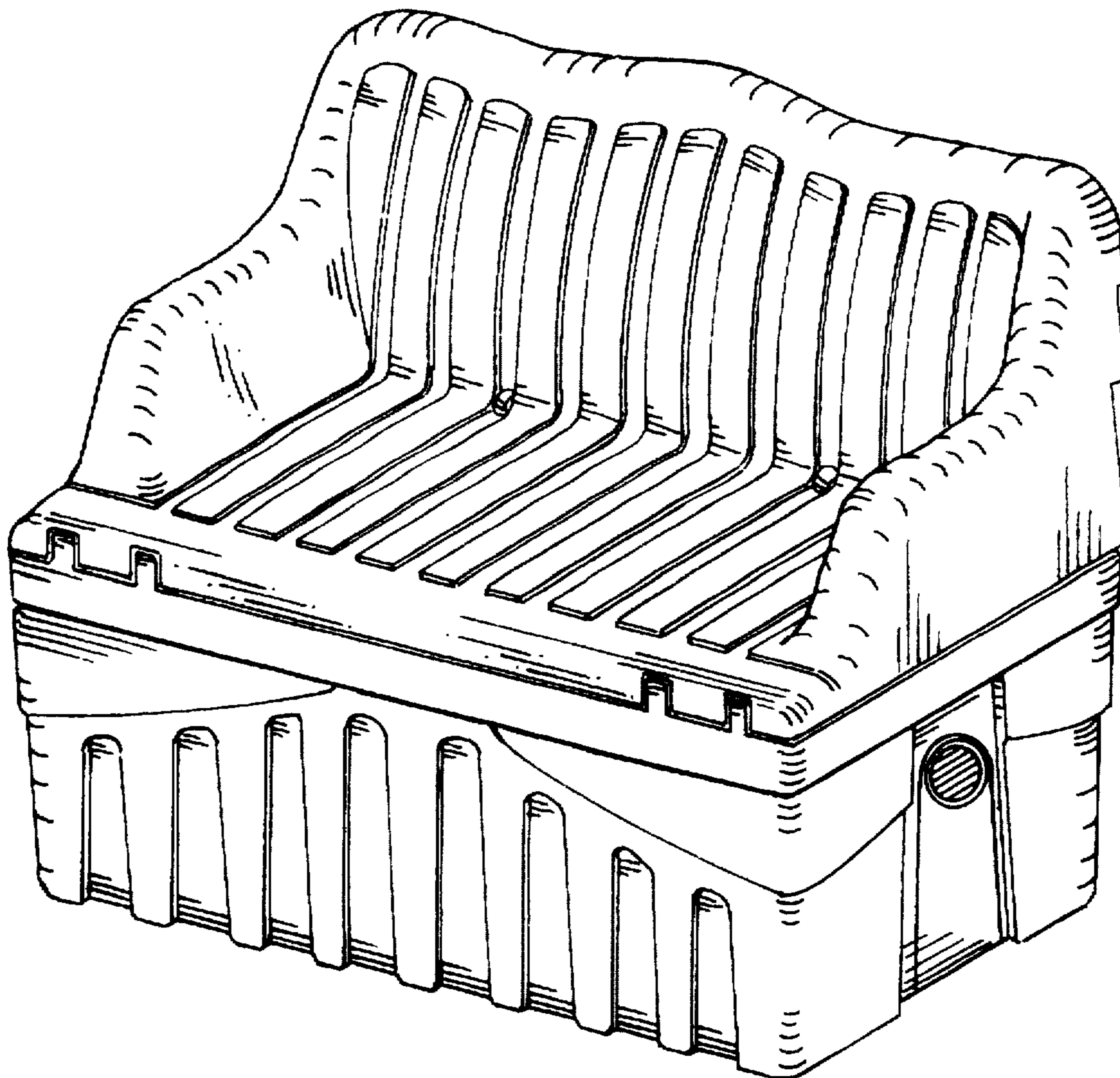
[57] **CLAIM**

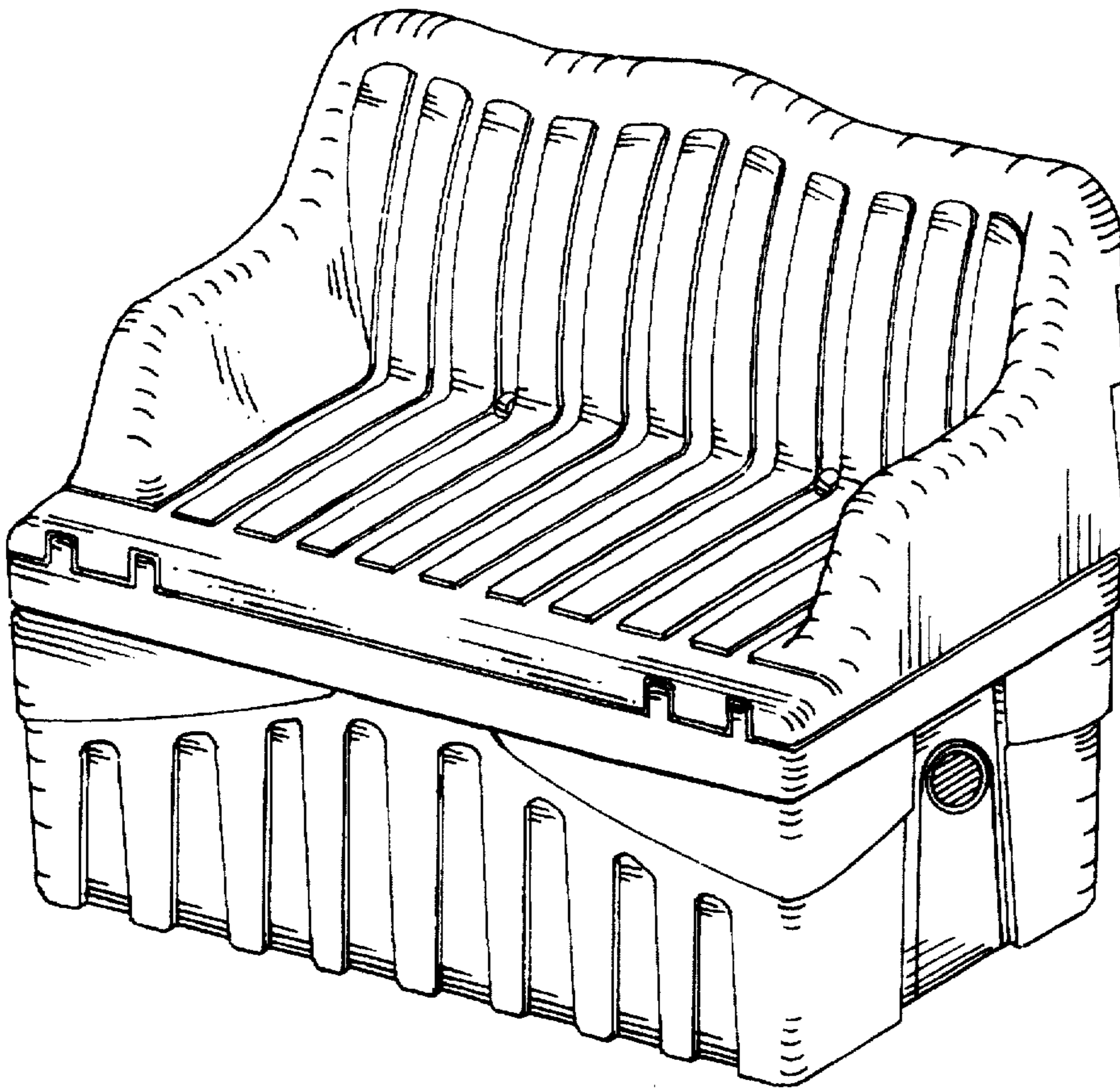
The ornamental design for a seat bench, as shown and described.

**DESCRIPTION**

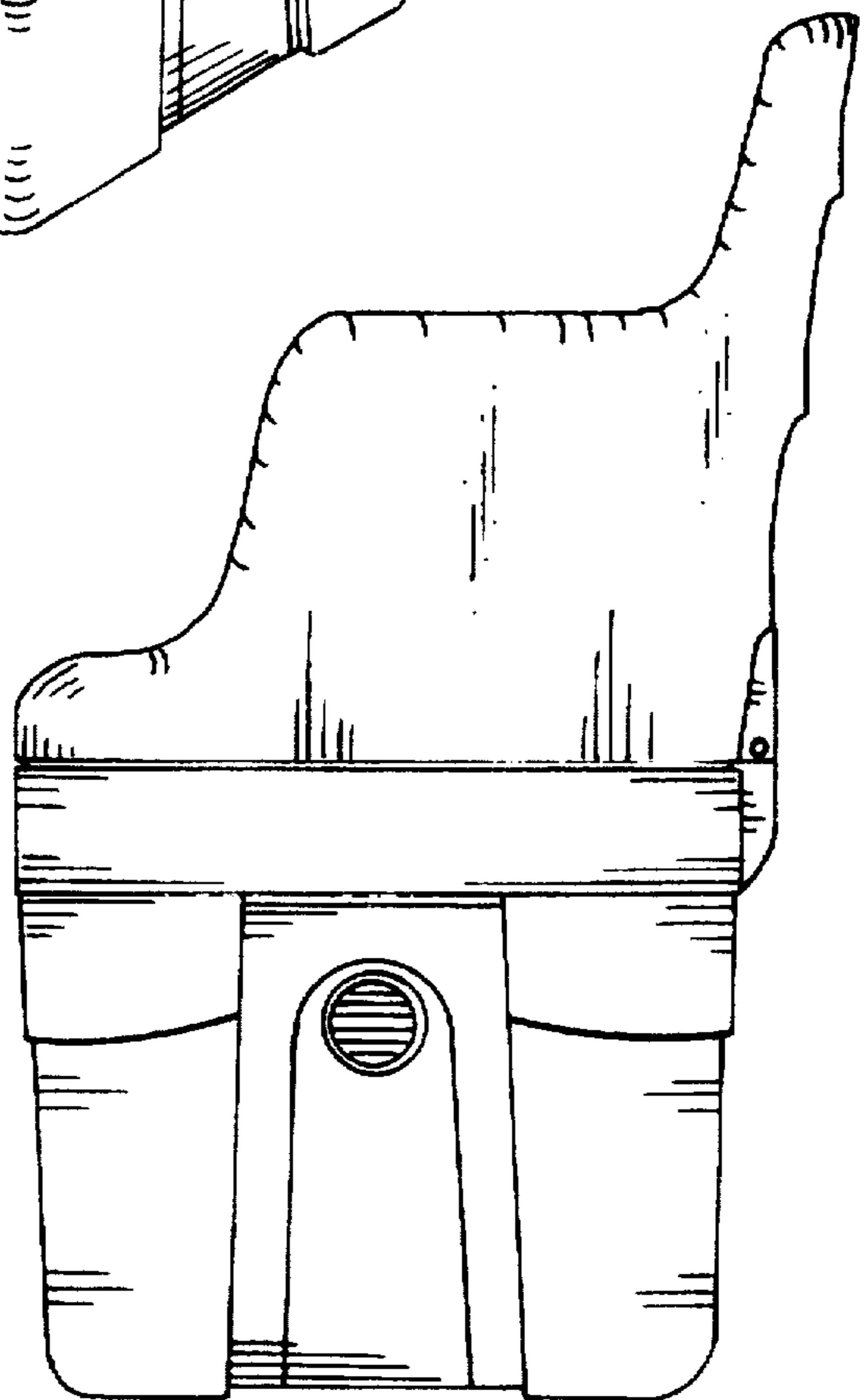
FIG. 1 is a perspective view of the seat bench of this invention from the left front thereof; FIG. 2 is an end elevational view of this invention, the view of the other end being a mirror image; and, FIG. 3 is a perspective view of this invention from the right rear thereof.

**1 Claim, 2 Drawing Sheets**

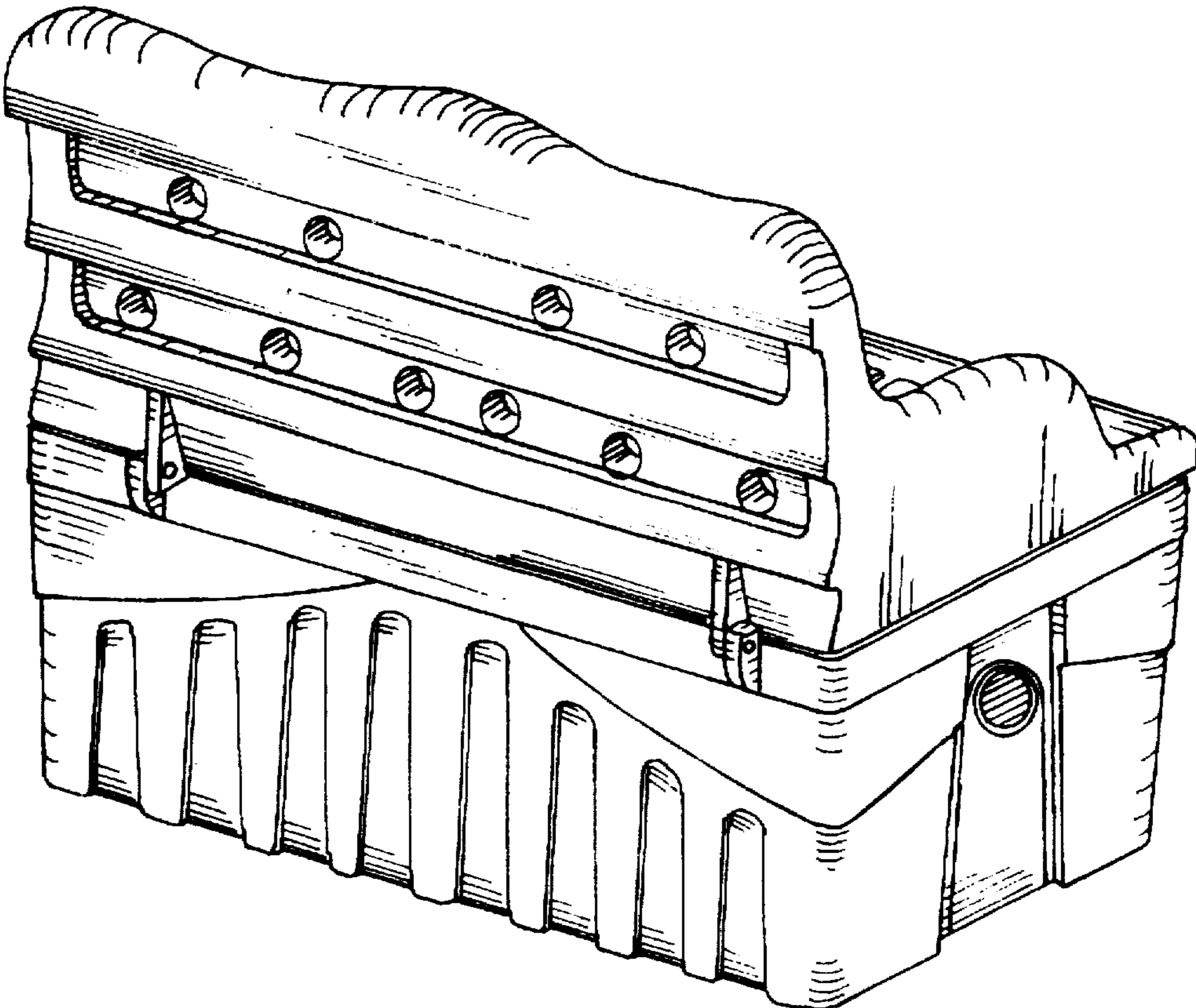




*Fig. 1*



*Fig. 2*



*Fig. 3*