



US00D396350S

**United States Patent** [19]  
**Panzenhagen**

[11] **Patent Number:** **Des. 396,350**  
[45] **Date of Patent:** **\*\*Jul. 28, 1998**

[54] **PICTURE FRAME APPARATUS**

[76] **Inventor:** **John Panzenhagen**, 224 Hidden Glen Ct., Franklin Lakes, N.J. 07417-2416

[\*\*] **Term:** **14 Years**

[21] **Appl. No.:** **70,662**

[22] **Filed:** **May 13, 1997**

[51] **LOC (6) Cl.** ..... **06-07**

[52] **U.S. Cl.** ..... **D6/300**

[58] **Field of Search** ..... D6/300-303, 308-314, D6/634, 635; 40/700, 711, 721-724, 730, 729, 765, 766, 779, 798, 466-468; D9/420

[56] **References Cited**

**U.S. PATENT DOCUMENTS**

4,736,538 4/1988 Pierce et al. .... 40/779  
4,947,565 8/1990 Shadwell ..... 40/779

*Primary Examiner*—Janice E. Seeger

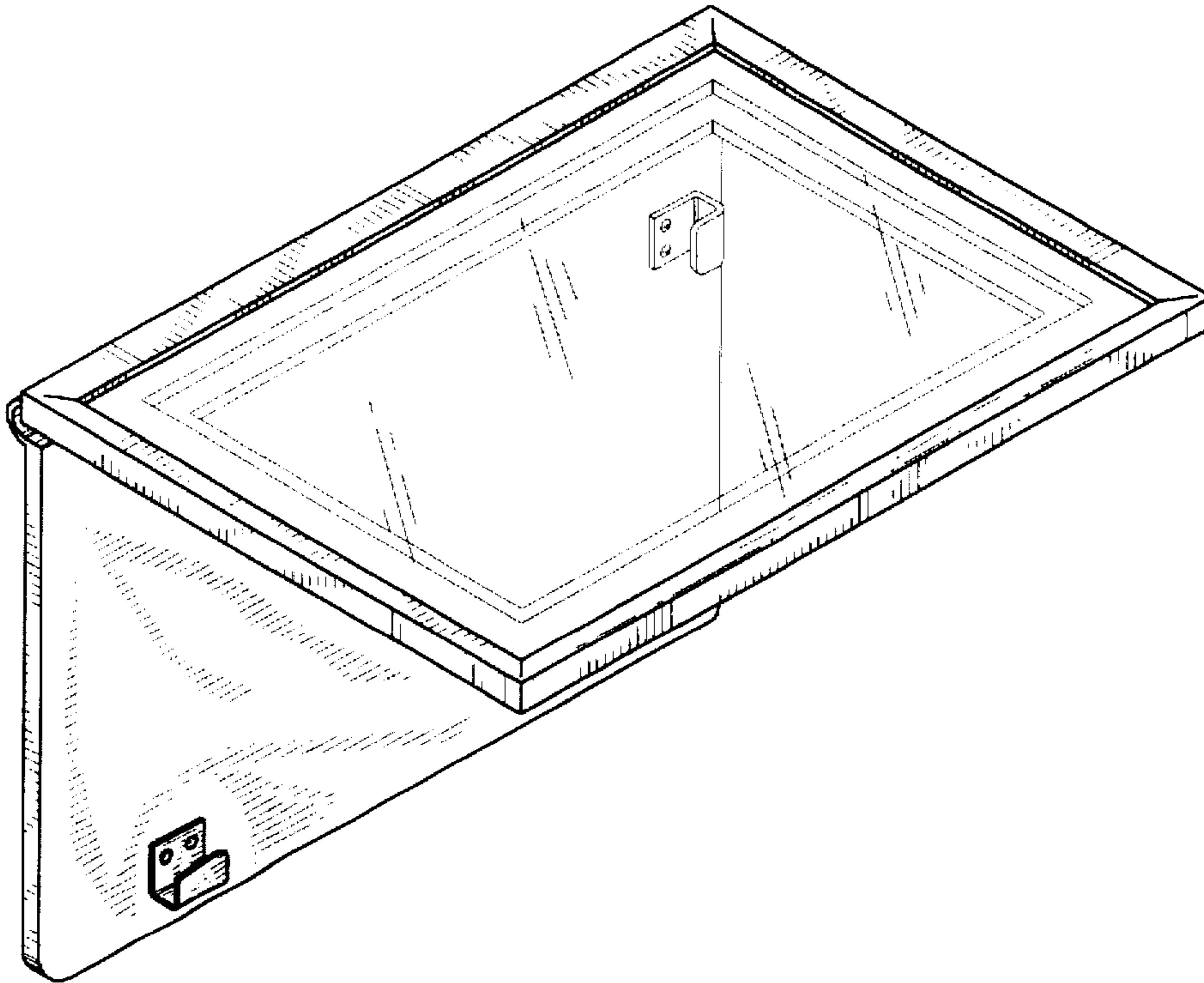
[57] **CLAIM**

The ornamental design for a picture frame apparatus, as shown.

**DESCRIPTION**

FIG. 1 is a front plan view of the picture frame apparatus of the present invention;  
FIG. 2 is a rear plan view of the picture frame apparatus of FIG. 1;  
FIG. 3 is a right side plan view of the picture frame apparatus of FIG. 1;  
FIG. 4 is a left side plan view of the picture frame apparatus of FIG. 1;  
FIG. 5 is a top plan view of the picture frame apparatus of FIG. 1;  
FIG. 6 is a bottom plan view of the picture frame apparatus of FIG. 1; and  
FIG. 7 is a front, right, top perspective view of the picture frame apparatus of FIG. 1 in open condition.

**1 Claim, 3 Drawing Sheets**



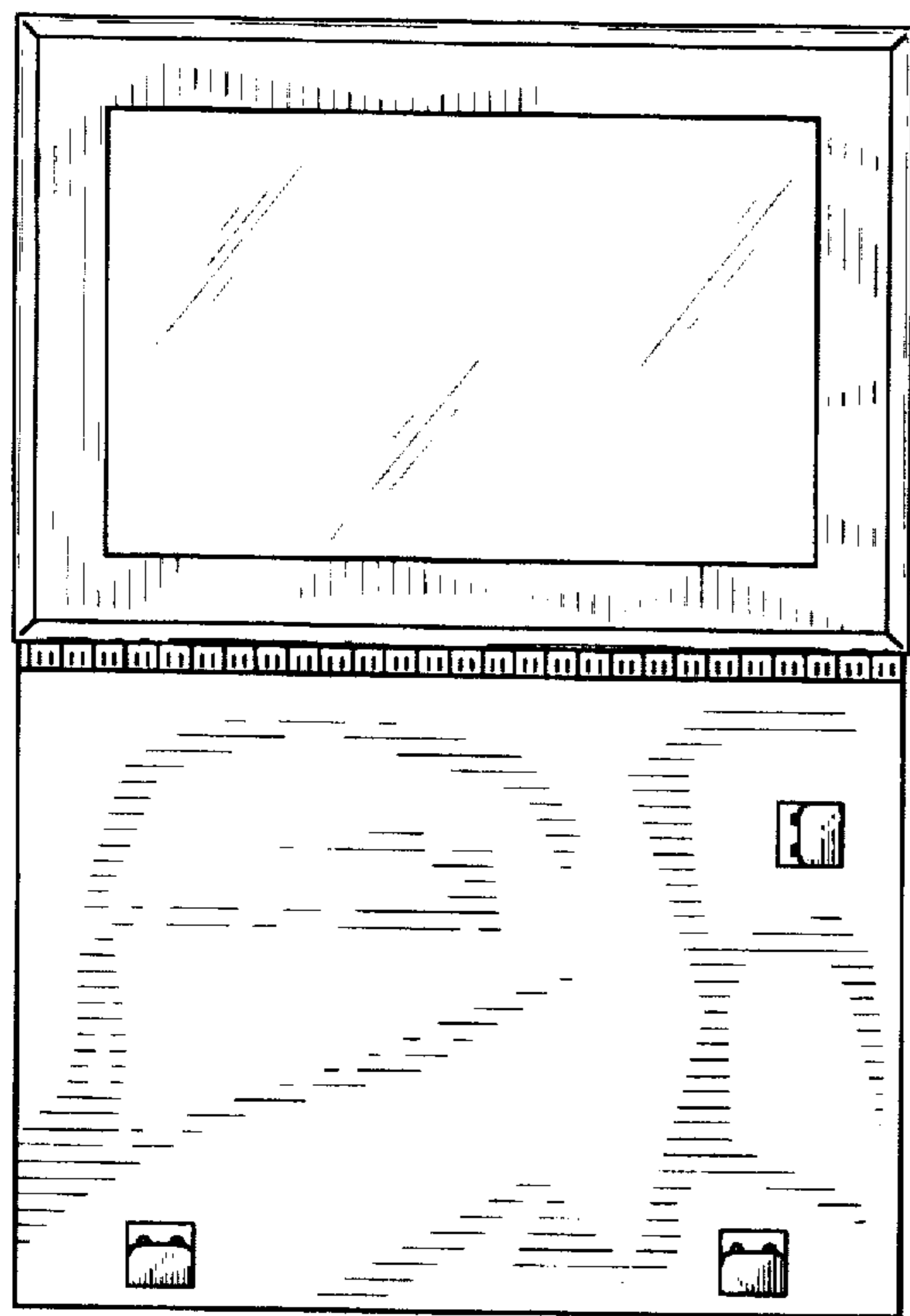


Fig. 1

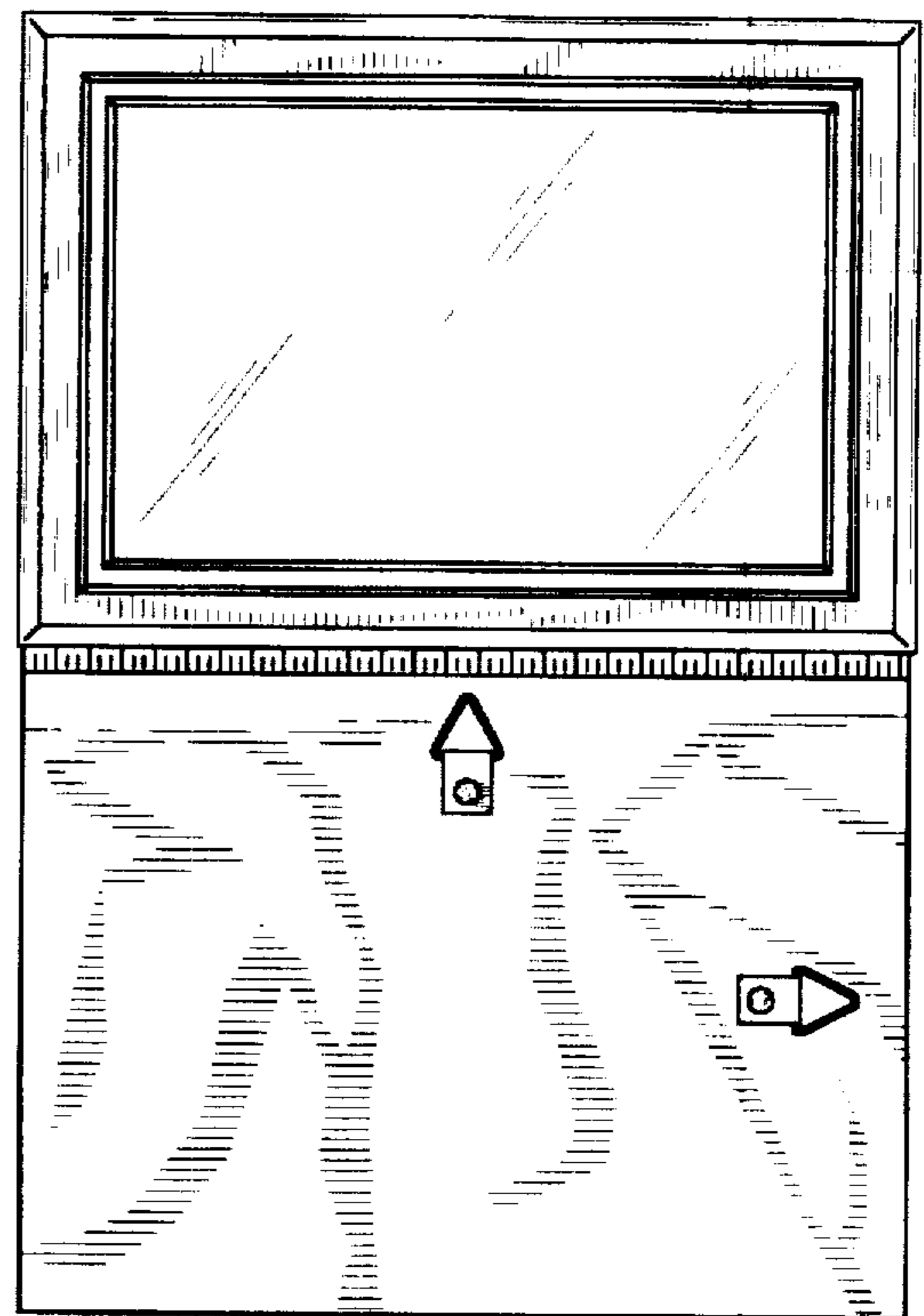


Fig. 2



*Fig. 5*



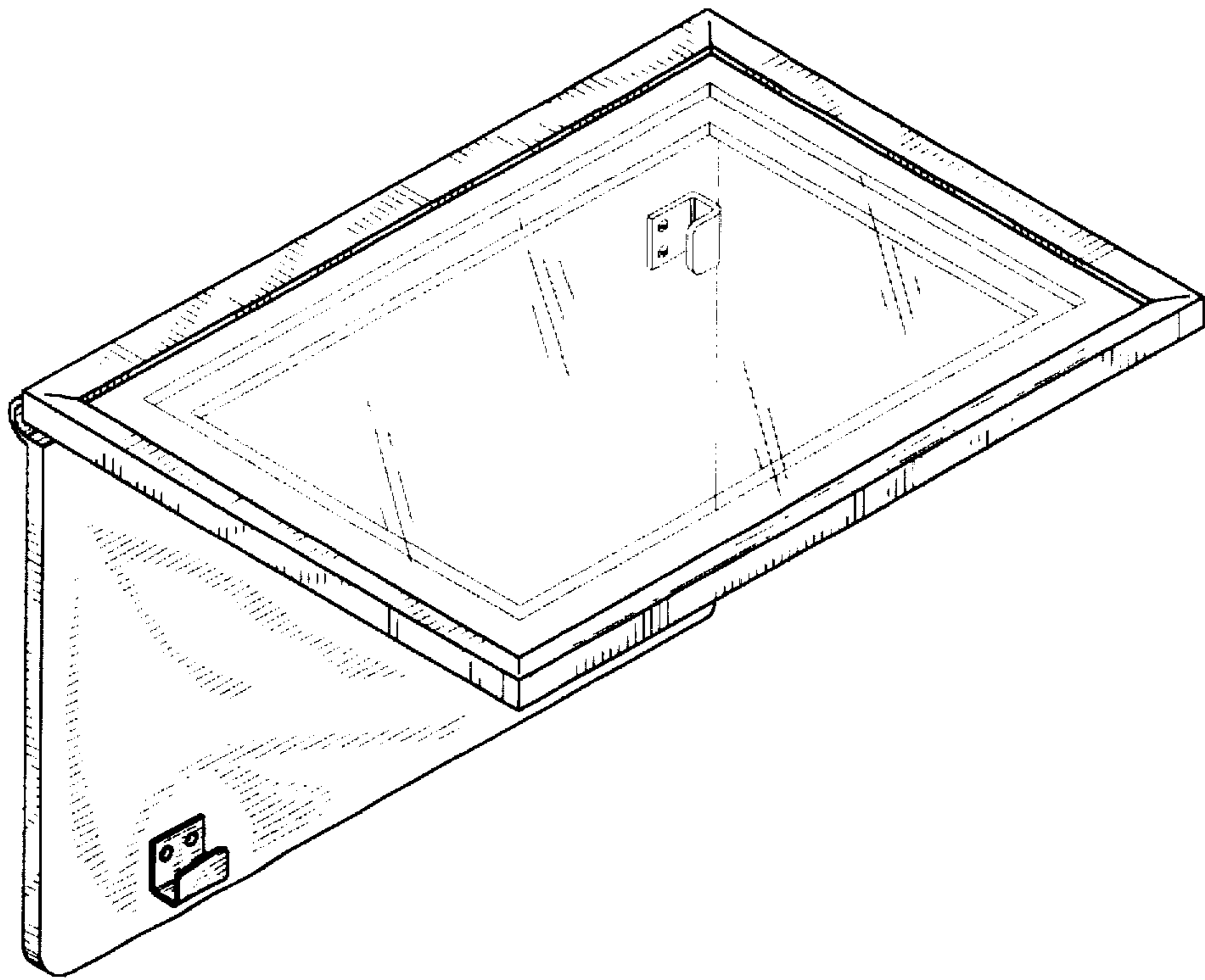
*Fig. 6*



*Fig. 3*



*Fig. 4*



*Fig. 7*