



US00D396347S

# United States Patent [19] Jenkins et al.

[11] Patent Number: **Des. 396,347**  
[45] Date of Patent: **\*\*Jul. 28, 1998**

[54] **BACK PACK TYPE COOLER CARRIER**

[76] Inventors: **Deanna G. Jenkins; Richard E. Hanshaw**, both of Rte. 9 Box 526, Charleston, W. Va. 25311

[\*\*] Term: **14 Years**

[21] Appl. No.: **76,124**

[22] Filed: **Sep. 5, 1997**

[51] LOC (6) Cl. .... **03-99**

[52] U.S. Cl. .... **D3/327**

[58] Field of Search ..... D3/327, 318, 216, D3/217, 213, 214, 215, 202; 224/250, 191, 214, 651, 633-640; 206/521; 220/401; 150/107, 108; 62/371, 372

[56] **References Cited**

**U.S. PATENT DOCUMENTS**

- D. 368,372 4/1996 Dennison ..... D3/327
- D. 371,676 7/1996 Geddes, Sr. .... D3/216
- 3,923,222 12/1975 Groves ..... 224/250 X
- 4,375,828 3/1983 Biddison .

- 4,449,378 5/1984 Thorpe .
- 4,673,117 6/1987 Calton ..... 224/640 X
- 4,721,237 1/1988 Leslie .
- 4,976,383 12/1990 Norris ..... 224/640
- 5,333,768 8/1994 Krentz ..... 224/637 X
- 5,579,966 12/1996 Krumweide et al. .... 224/637

*Primary Examiner*—Prabhakar G. Deshmukh  
*Attorney, Agent, or Firm*—Locke Reynolds

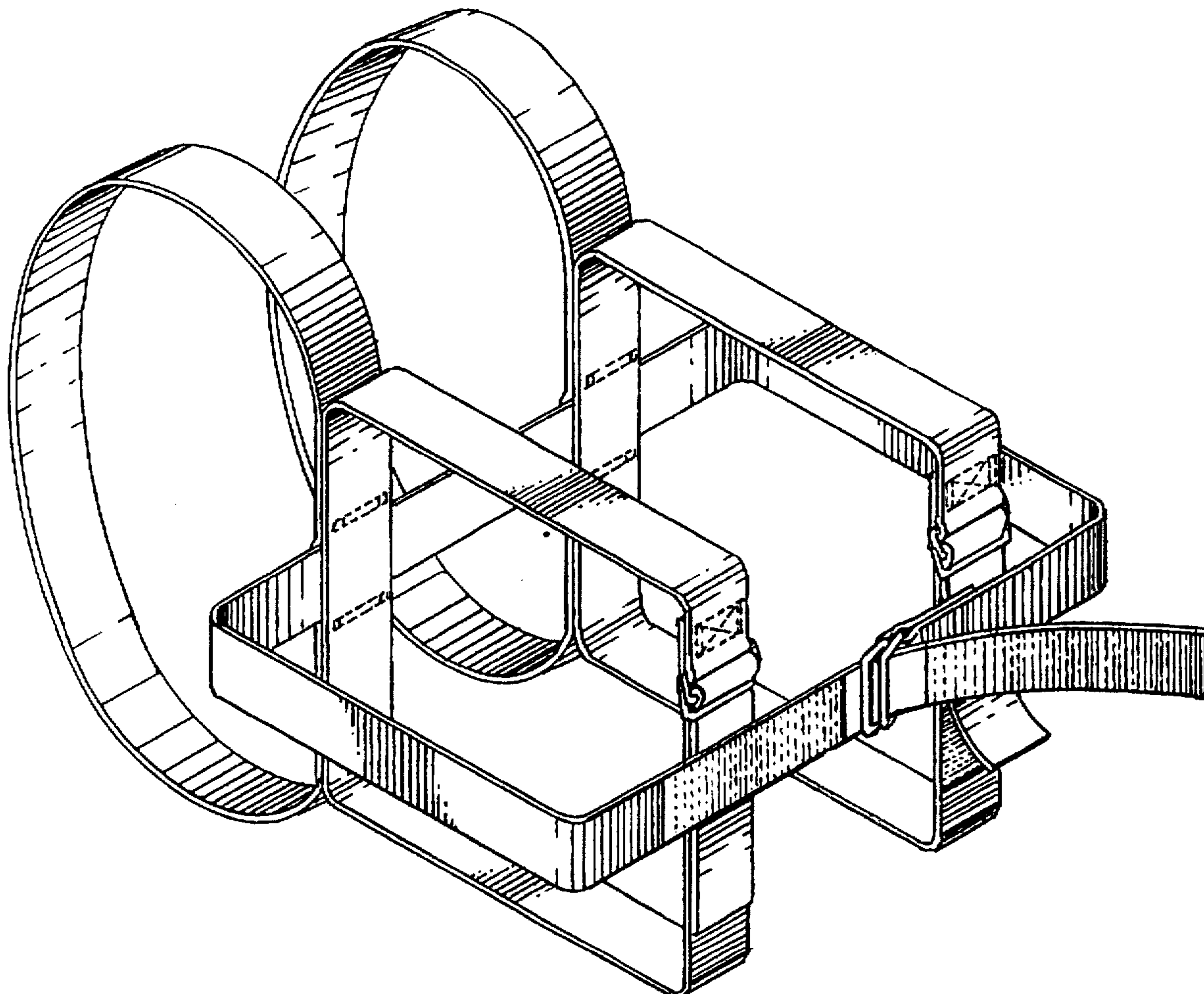
[57] **CLAIM**

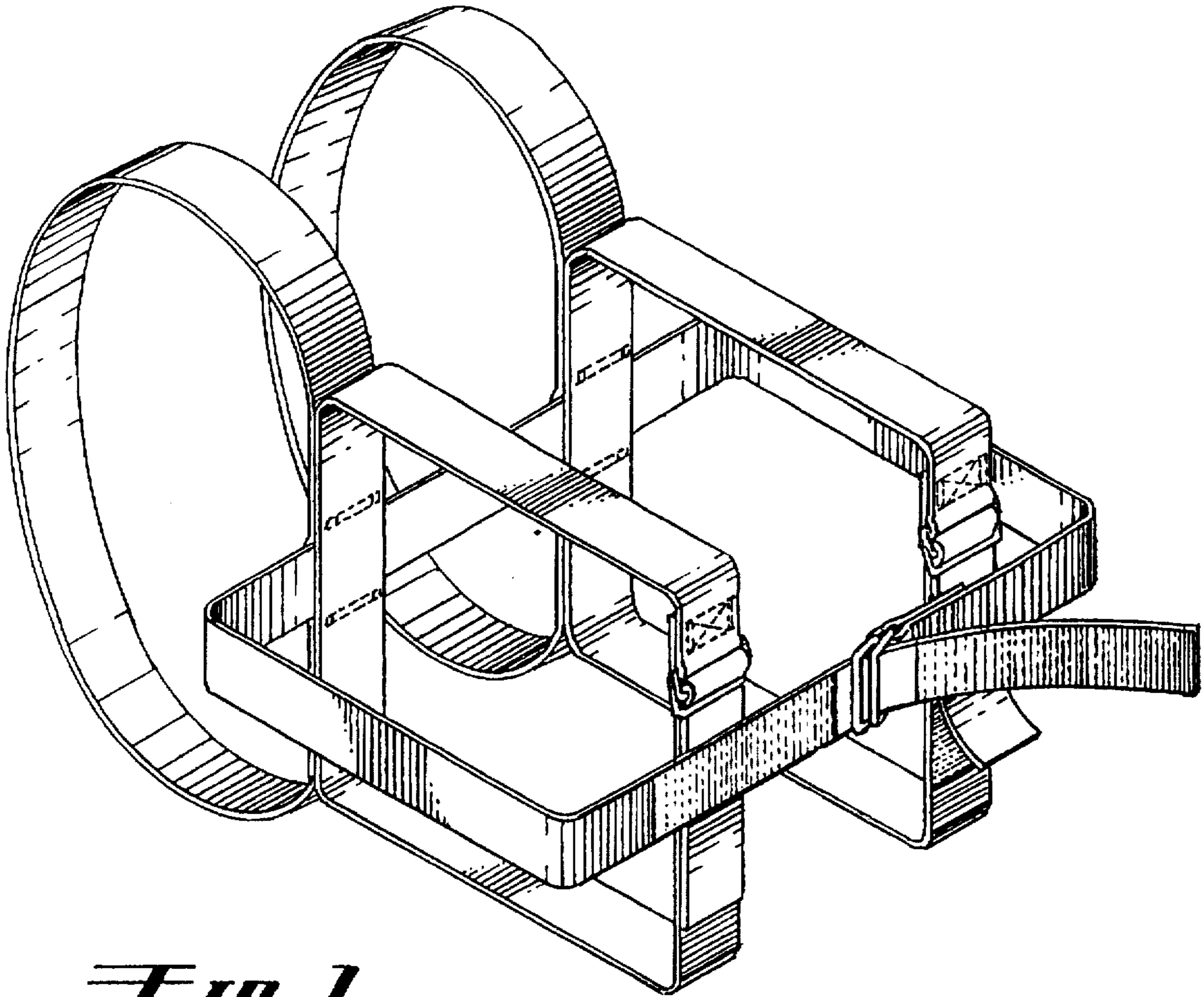
The ornamental design for a back pack type cooler carrier, as shown and described.

**DESCRIPTION**

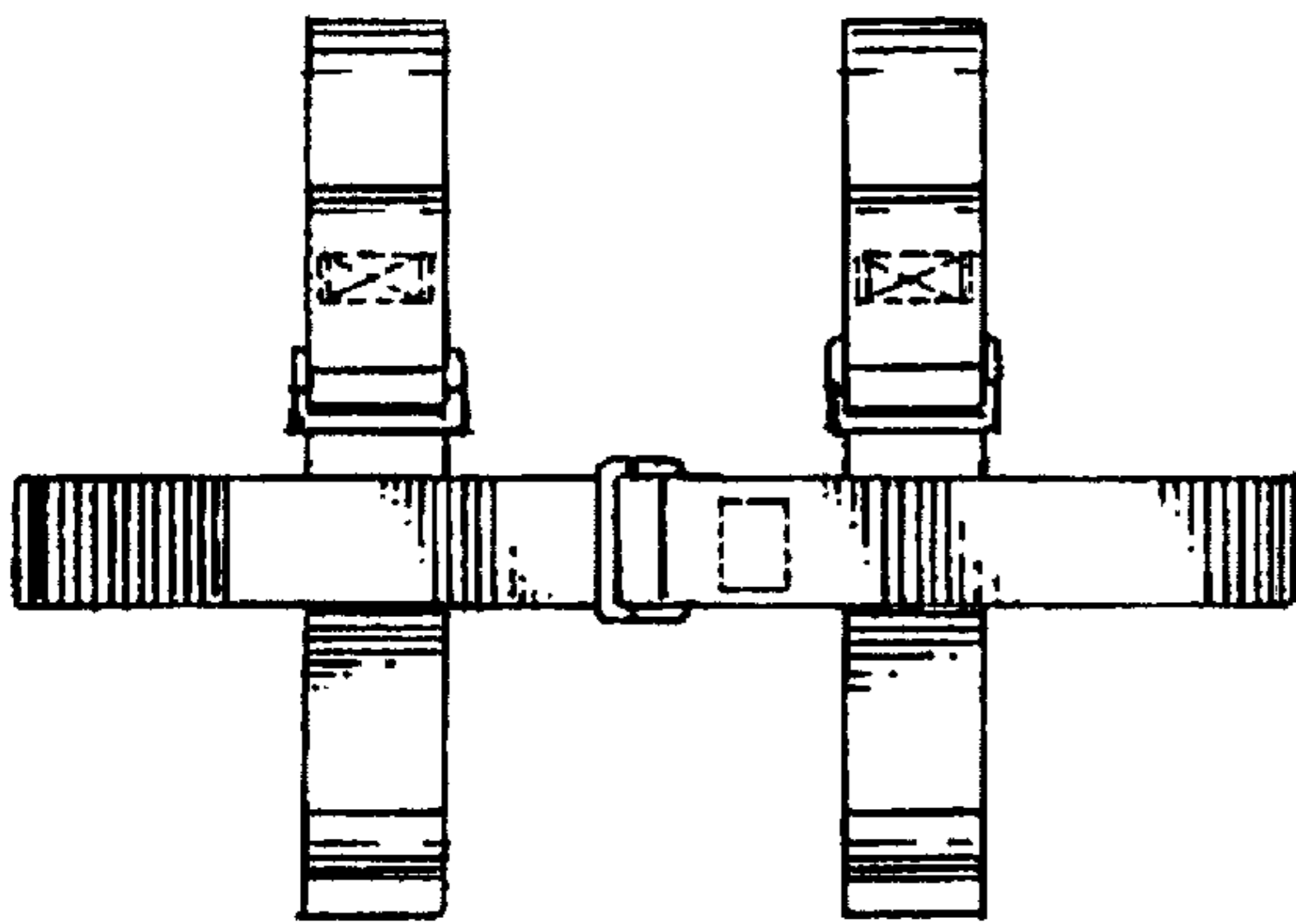
FIG. 1 is a perspective view of a back pack type cooler carrier in accordance with our design; FIG. 2 is a back elevation view of the back pack type cooler carrier shown in FIG. 1; and FIG. 3 is a side elevation view of the left side of the back pack type cooler carrier shown in FIG. 1, the opposite side being identical. FIGS. 2 and 3 are drawn in reduced scale.

**1 Claim, 1 Drawing Sheet**

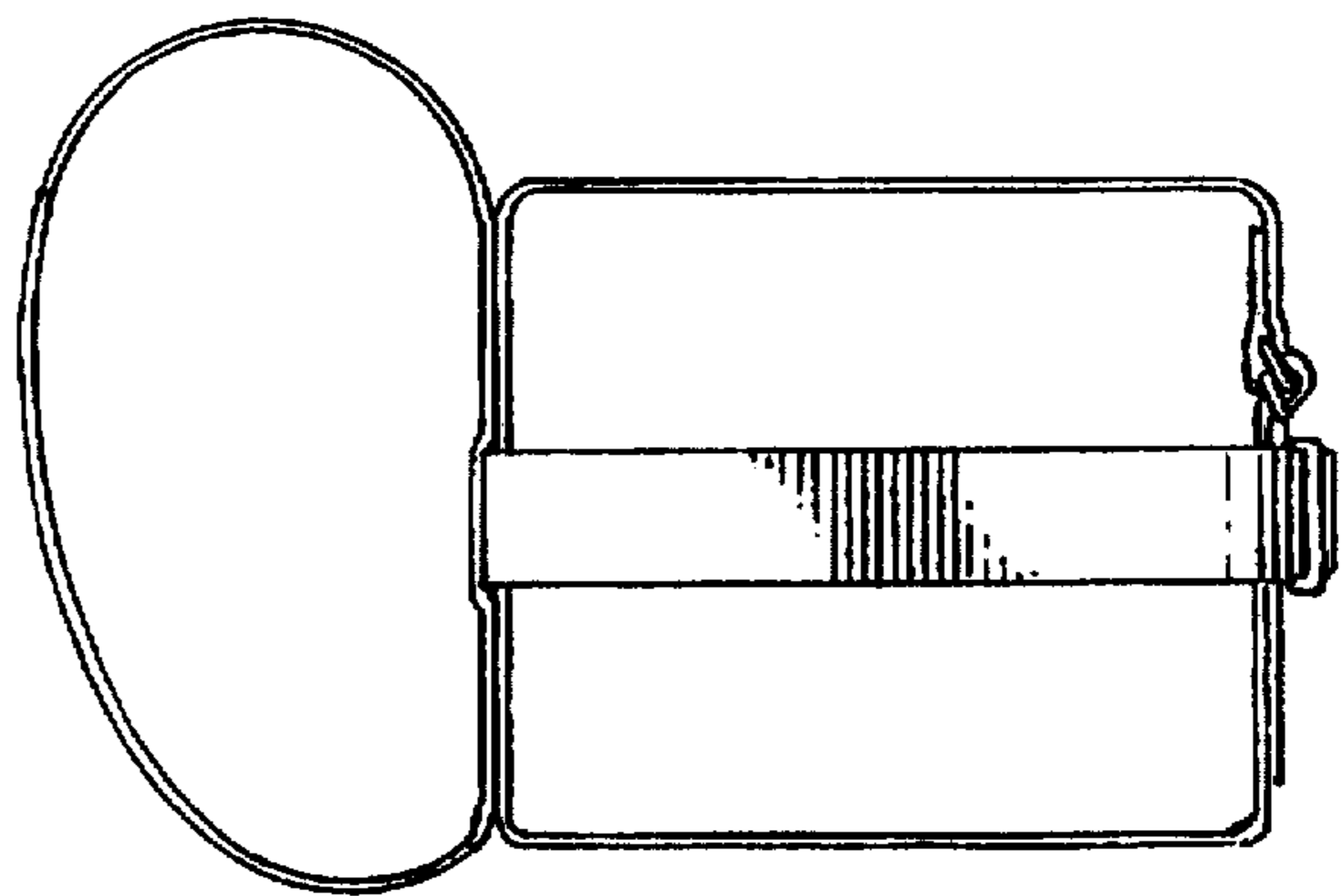




*Fig. 1*



*Fig. 2*



*Fig. 3*