

US00D396340S

United States Patent [19] She

[11] Patent Number: **Des. 396,340**

[45] Date of Patent: ****Jul. 28, 1998**

[54] **VISOR WITH FAN**

[76] Inventor: **Yung Lee She**, 303, N. Valencia St.,
Alhambra, Calif. 91801

[**] Term: **14 Years**

[21] Appl. No.: **70,435**

[22] Filed: **Apr. 23, 1997**

[51] LOC (6) Cl. **02-03**

[52] U.S. Cl. **D2/876; D2/866**

[58] Field of Search **D2/865, 866, 875,
D2/876, 891, 882; 2/171, 181, 182.6, 171.3,
195.2, 436, 437, 438**

4,101,981 7/1978 Boden 2/182.6
 4,238,857 12/1980 Waters 2/171.3
 4,546,496 10/1985 Lewis 2/171.3

Primary Examiner—Paula A. Mortimer
Attorney, Agent, or Firm—Stetina Brunda Garred &
 Brucker

[57] CLAIM

The ornamental design for a visor with fan, as shown and described.

DESCRIPTION

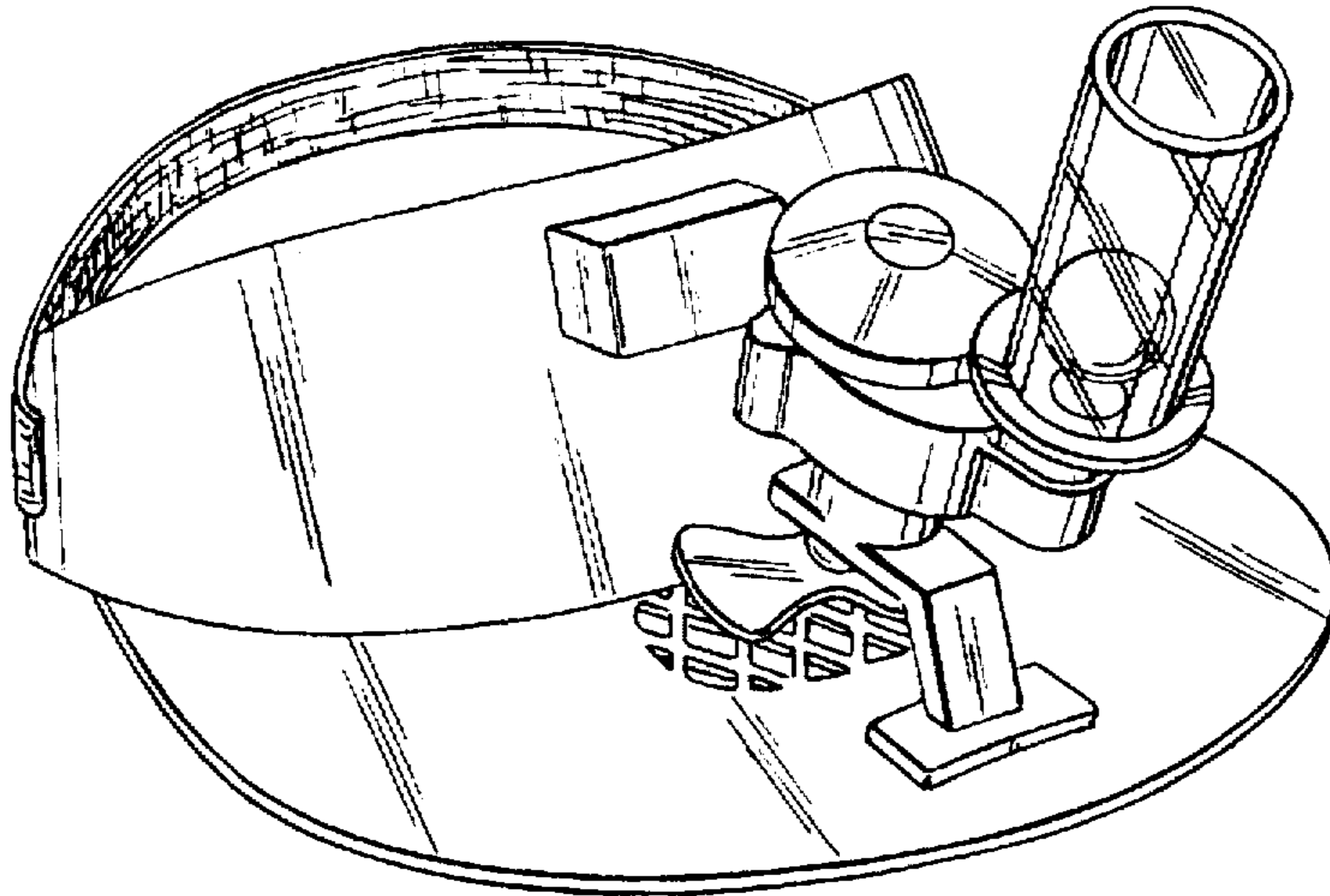
FIG. 1 is a front perspective view of a visor with fan showing my new design, the rear does not form part of the claimed design;
 FIG. 2 is a front elevational view thereof; and,
 FIG. 3 is a side elevational view thereof, the opposite side is a mirror image.

[56] References Cited

U.S. PATENT DOCUMENTS

D. 64,441 4/1924 Cavell D2/876
 D. 267,752 2/1983 Fairbrother D2/876
 D. 297,584 9/1988 Lenox et al. D2/875 X

1 Claim, 1 Drawing Sheet



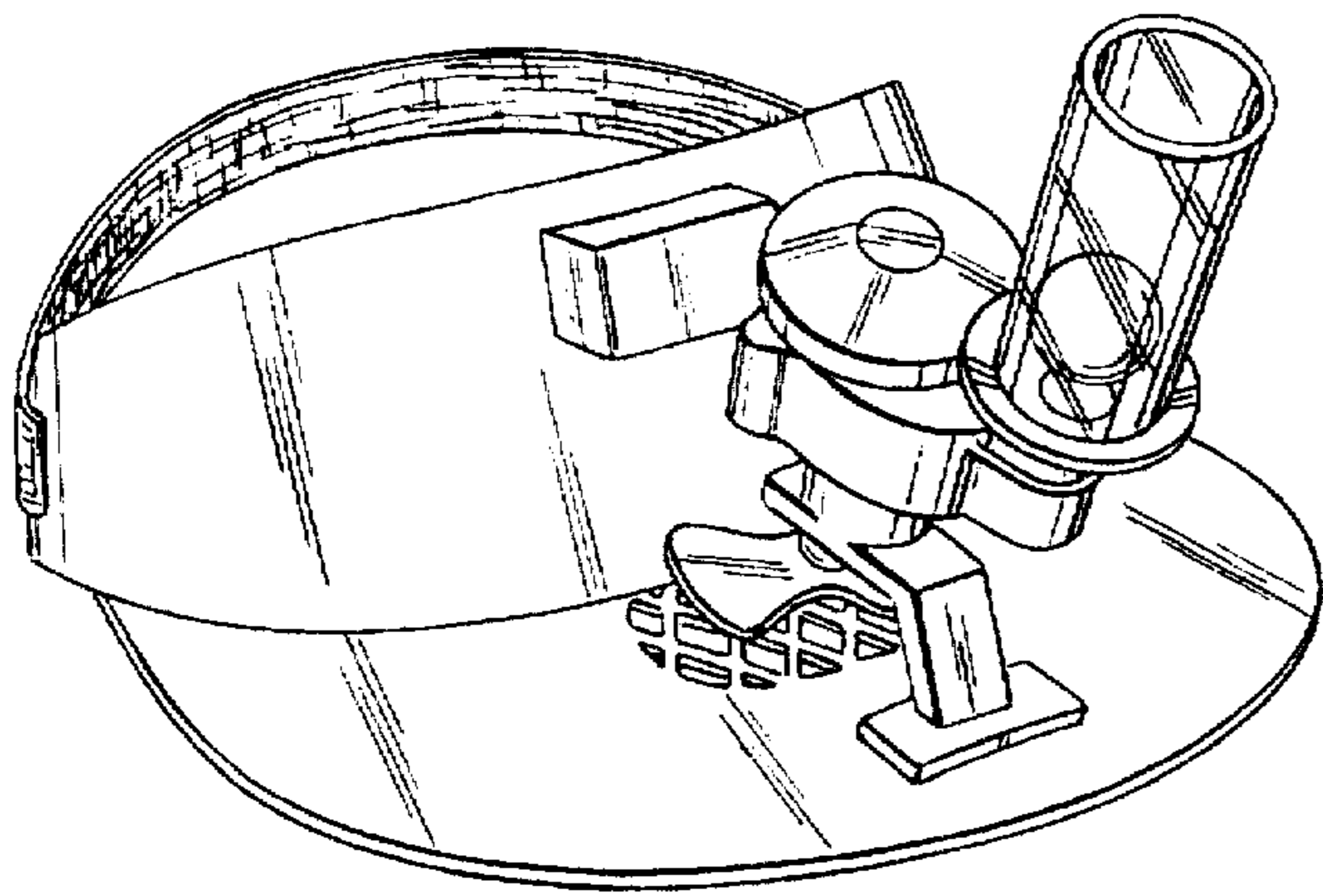


Fig. 1

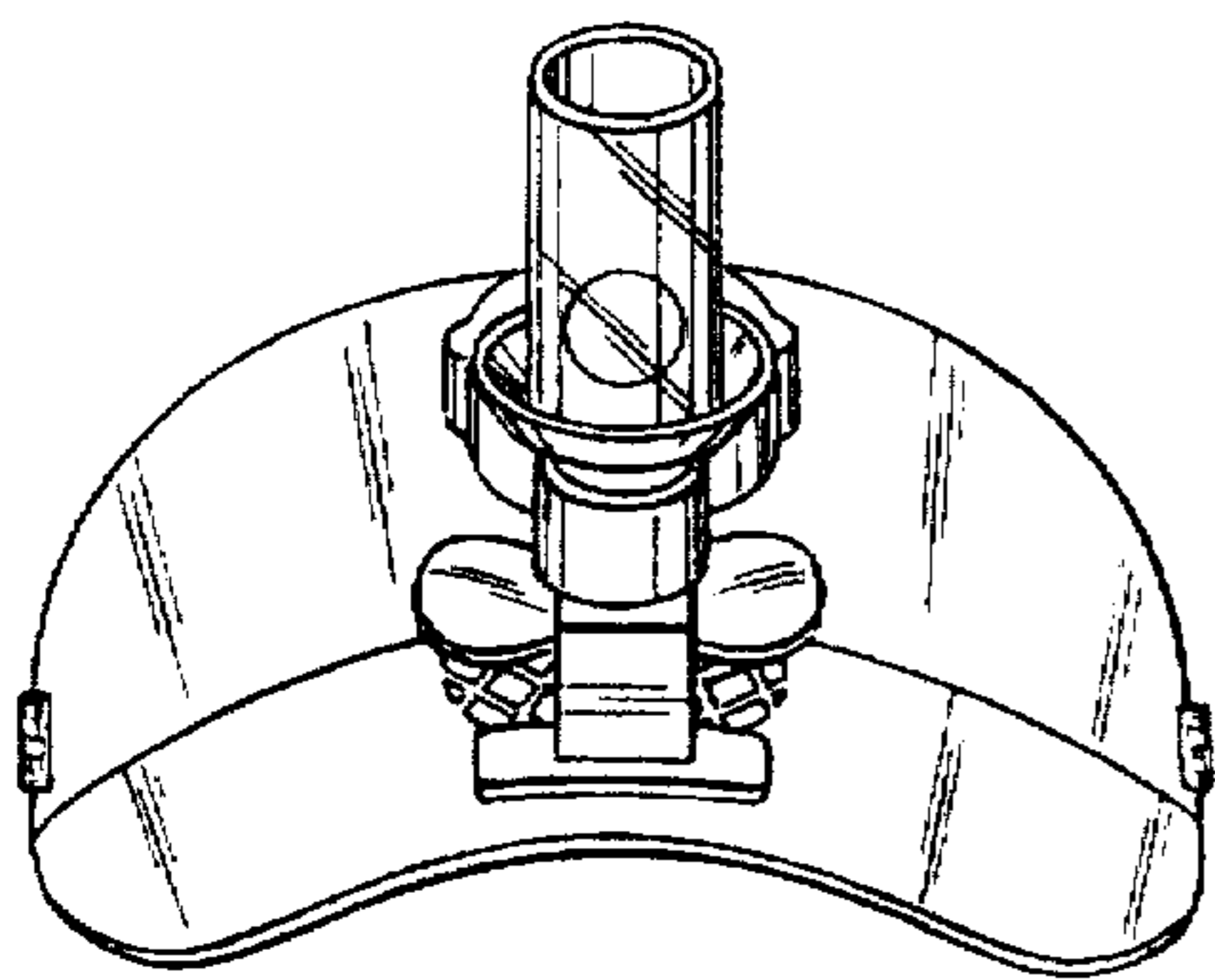


Fig. 2

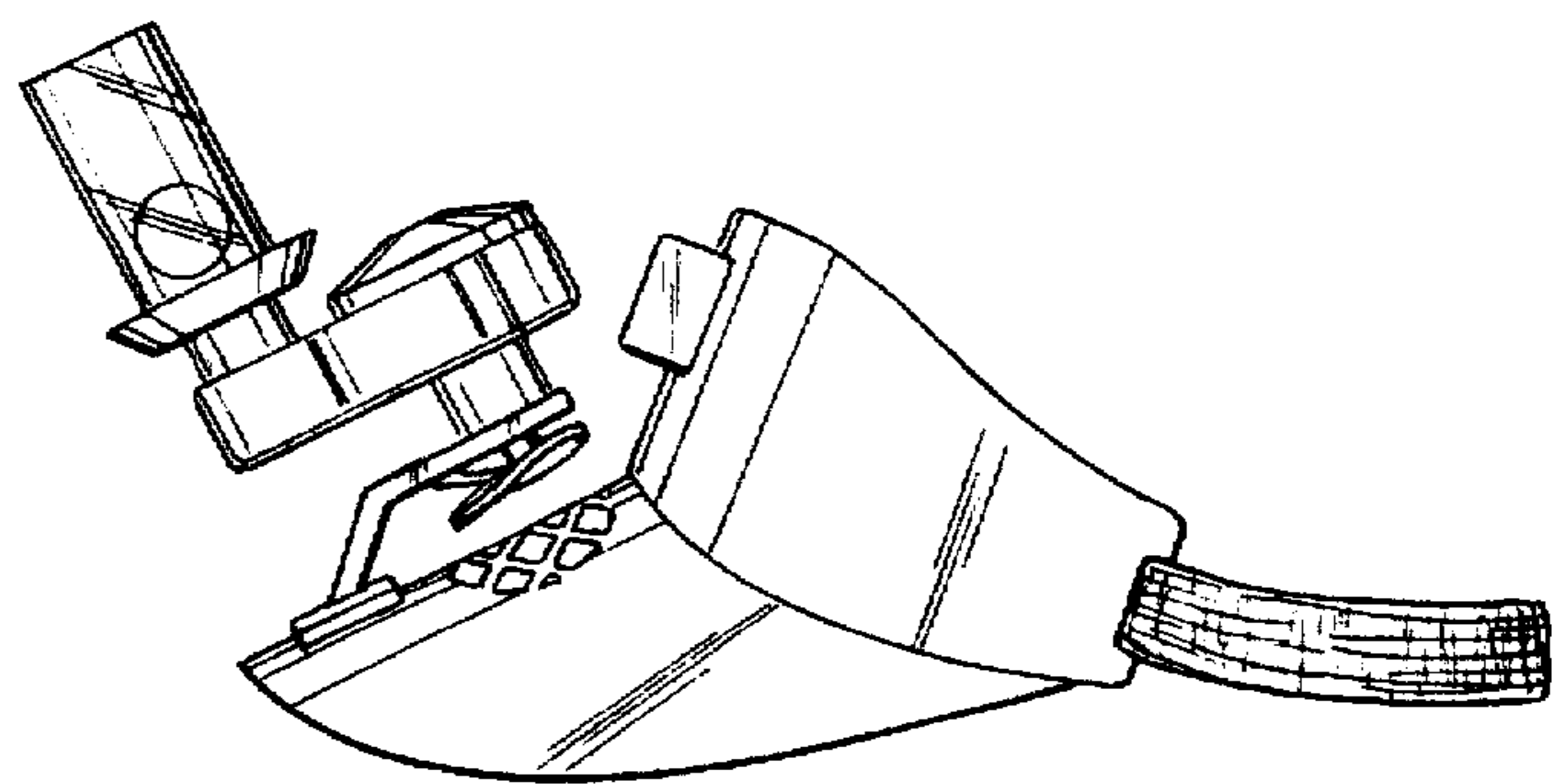


Fig. 3