



US00D396333S

United States Patent [19]

Alford et al.

[11] Patent Number: **Des. 396,333**

[45] Date of Patent: *****Jul. 21, 1998**

[54] FOAL GATE

[76] Inventors: **Pamela J. Alford**, Rte. 2, Box 1775;
Richard D. Jackson, P.O. Box 119,
both of Marble Hill, Mo. 63764

[*] Notice: The portion of the term of this patent subsequent to Jul. 15, 2011, has been disclaimed.

[**] Term: **14 Years**

[21] Appl. No.: **64,603**

[22] Filed: **Oct. 11, 1996**

[51] LOC (6) Cl. **30-02**

[52] U.S. Cl. **D30/119; D25/50**

[58] Field of Search D25/50, 38, 39;
D30/119, 118; 49/177, 104, 191; 119/16,
27

[56] **References Cited**

U.S. PATENT DOCUMENTS

D. 237,722	11/1975	Kratky .	
D. 239,543	4/1976	Kratky .	
D. 242,547	11/1976	Monroe	D25/50
D. 244,459	5/1977	Kratky	D25/50
D. 273,903	5/1984	Wilcenski et al.	D30/2
D. 286,690	11/1986	Priefert	D30/2
D. 300,949	5/1989	Johnson, Jr.	D25/50
D. 301,621	6/1989	Muntz et al.	D25/50
D. 330,609	10/1992	Moreau et al.	D30/119

D. 352,573	11/1994	Sampson et al.	D30/119
D. 381,134	7/1997	Alford et al.	D25/50
383,705	5/1888	Cointe .	
928,798	7/1909	Rowe .	
967,754	8/1910	Gifford .	
1,132,438	3/1915	Carr .	
1,141,110	6/1915	Ellwood .	
1,189,410	7/1916	Van Every .	
1,200,879	10/1916	Harrison .	
1,218,077	3/1917	Goff .	
2,795,063	6/1957	Butler	D25/50
3,022,045	2/1962	Silvers .	

Primary Examiner—Doris Clark
Attorney, Agent, or Firm—Grace J. Fishel

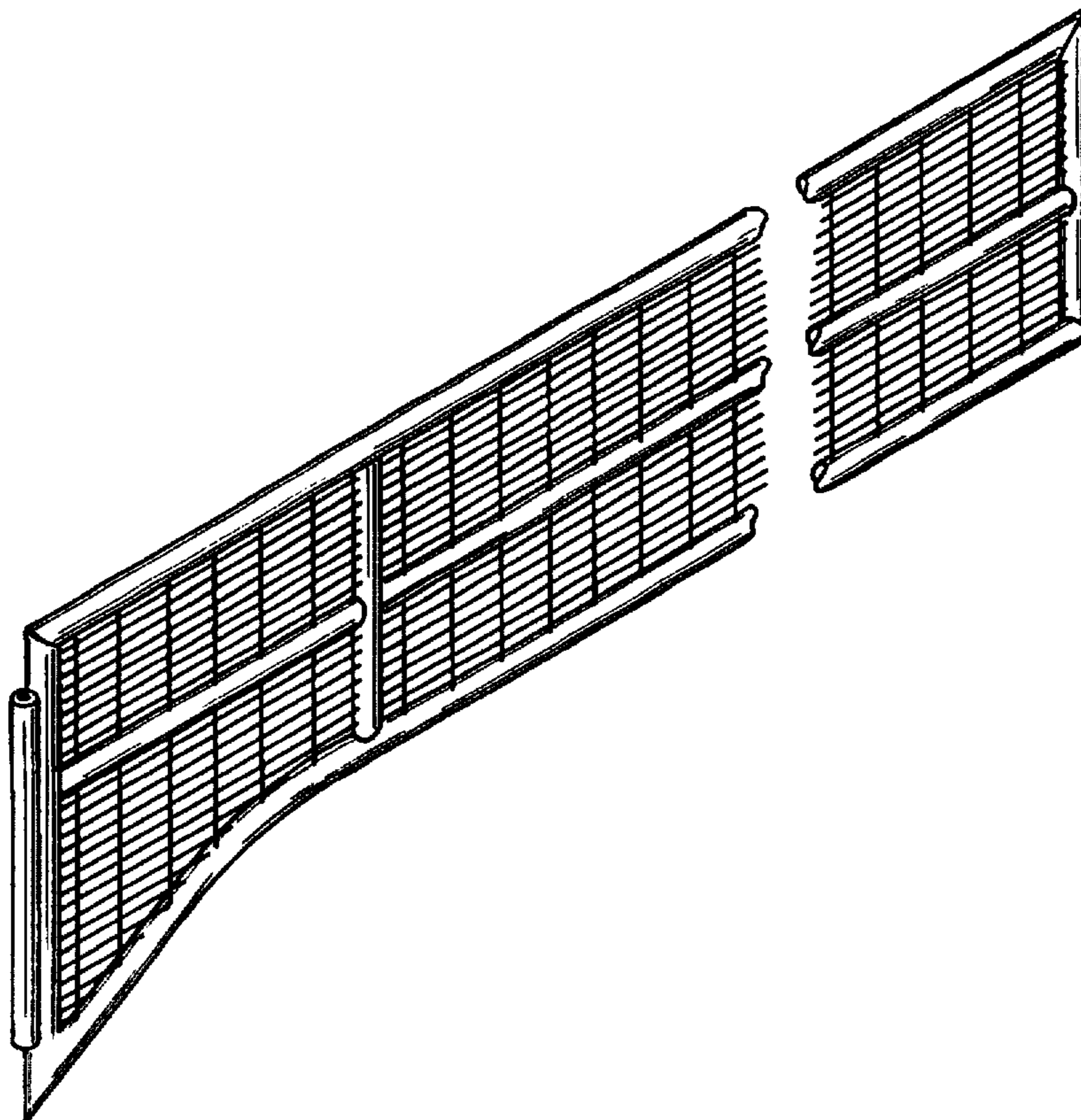
[57] **CLAIM**

The ornamental design for a foal gate, as shown and described.

DESCRIPTION

FIG. 1 is a perspective view of a foal gate showing our new design;
FIG. 2 is a front view thereof;
FIG. 3 is a top view thereof;
FIG. 4 is a bottom view thereof;
FIG. 5 is a rear view thereof;
FIG. 6 is a right side view thereof as viewed in FIG. 2; and,
FIG. 7 is a left side thereof as viewed in FIG. 2.
The foal gate is broken in the center to indicate indeterminate length.

1 Claim, 2 Drawing Sheets



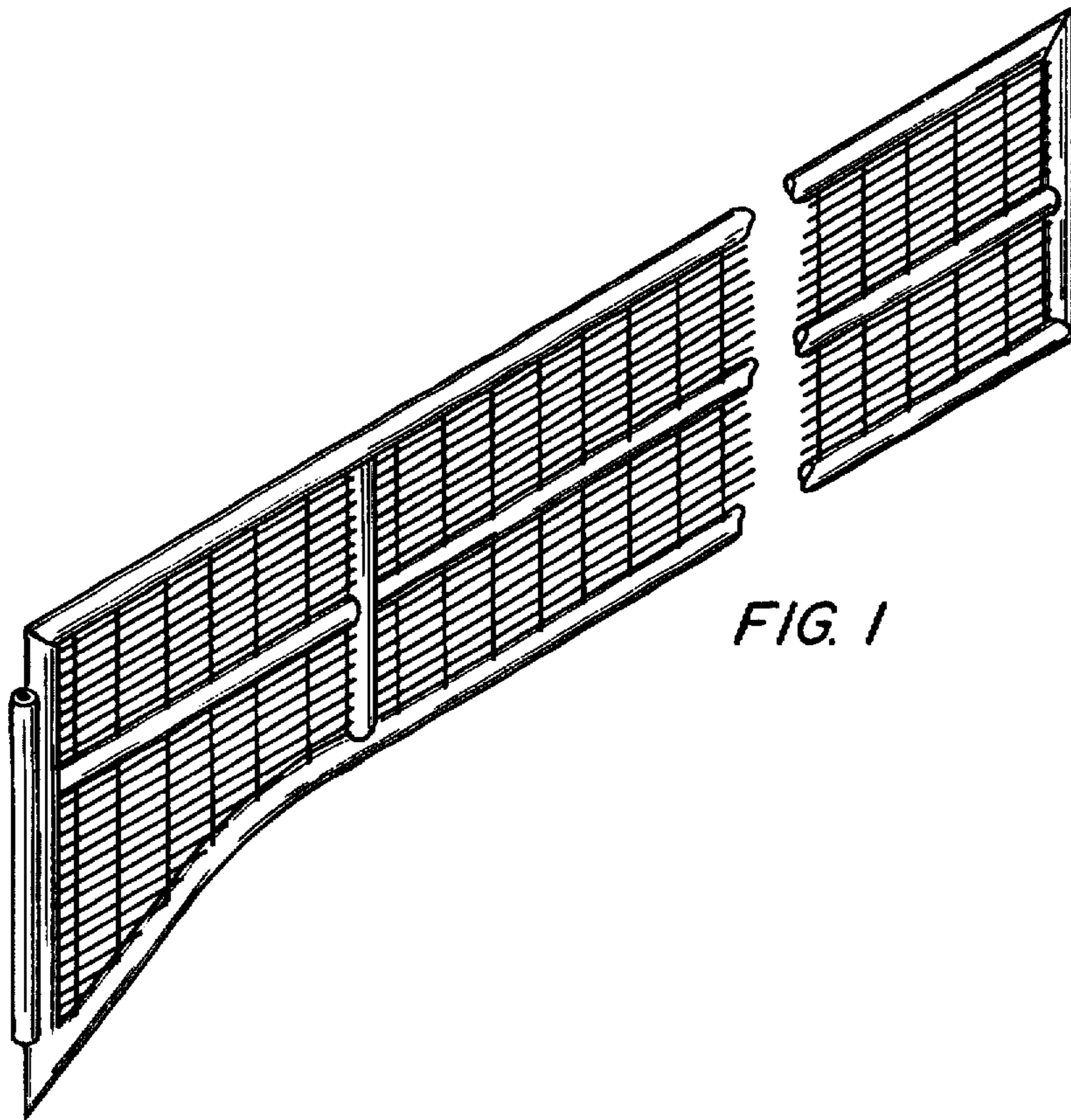


FIG. 1

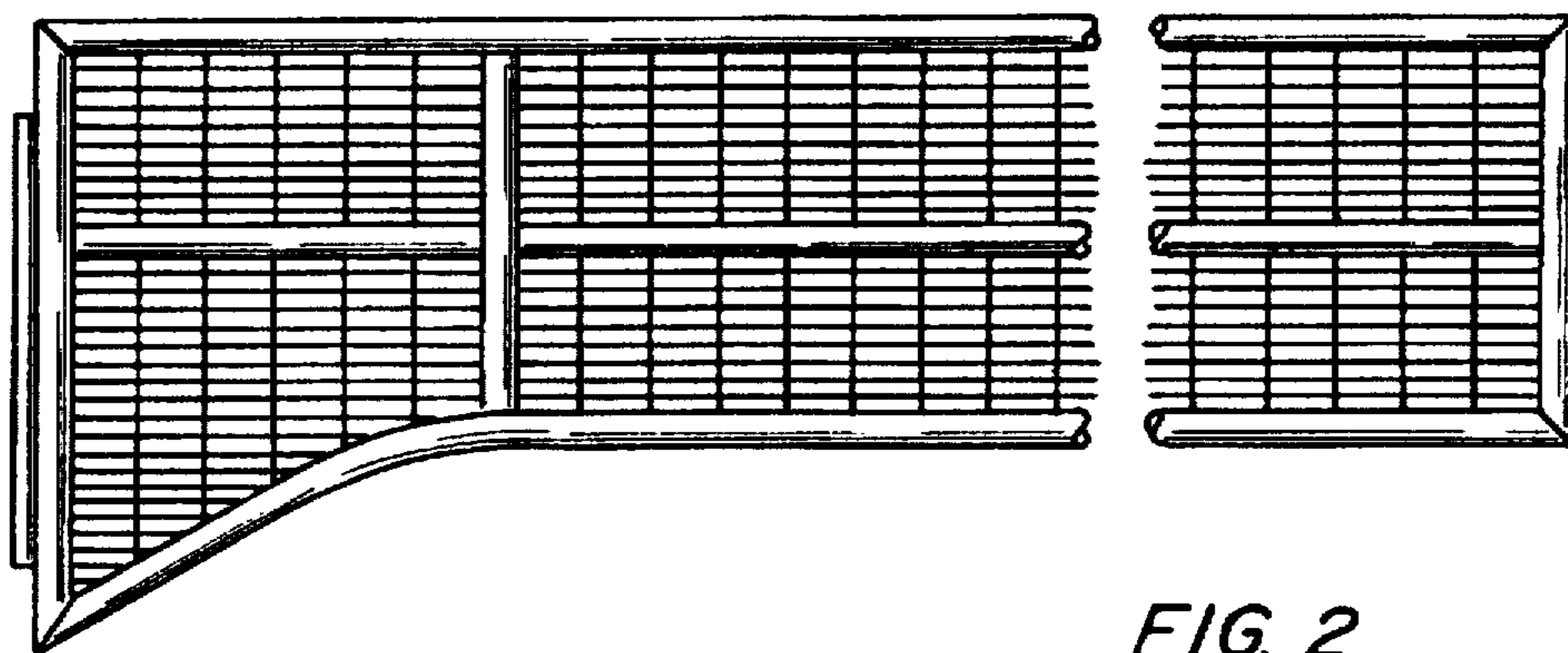


FIG. 2



FIG. 3



FIG. 4

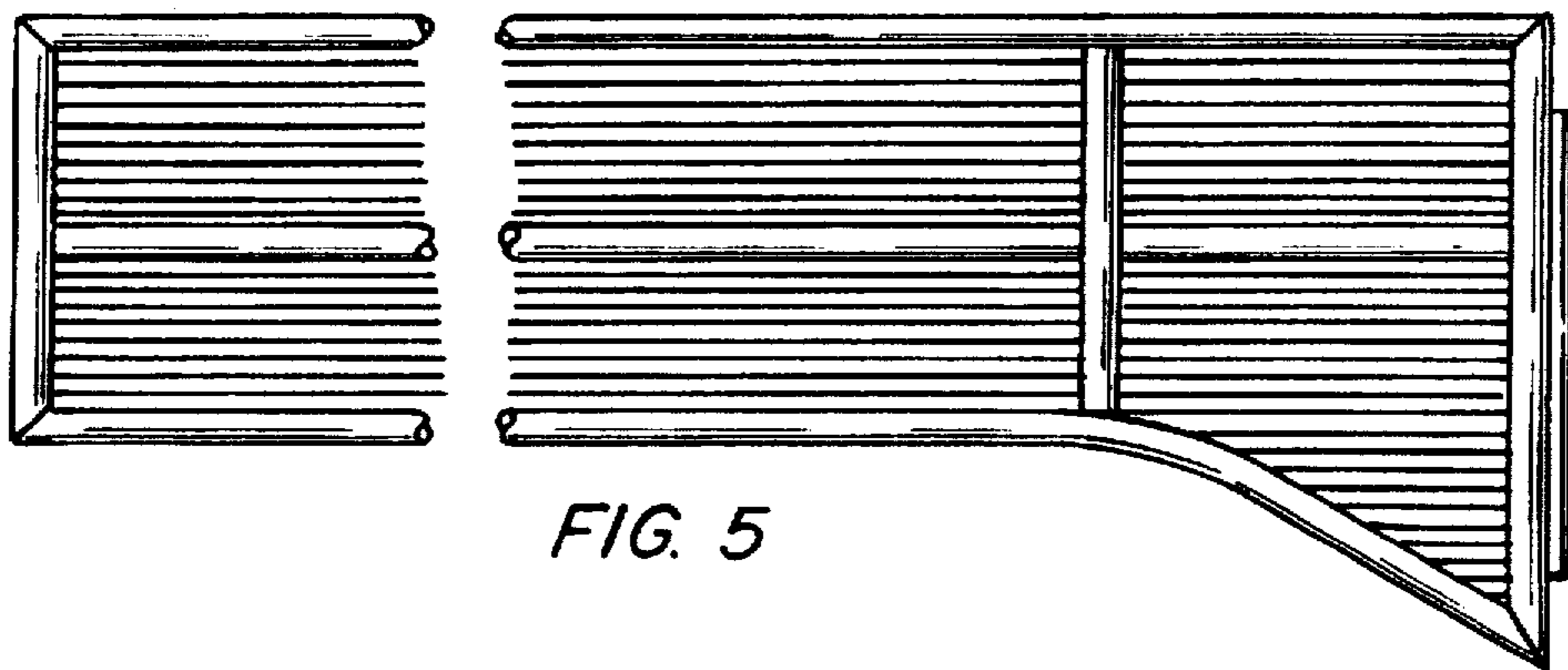


FIG. 5



FIG. 6



FIG. 7