



US00D396331S

United States Patent [19]

[11] Patent Number: **Des. 396,331**

Niemetz

[45] Date of Patent: ****Jul. 21, 1998**

[54] COMBINED BIRD SHELTER AND FEEDER

[76] Inventor: **Gary R. Niemetz**, 8520 Vasel Ave., St. Louis, Mo. 63123

[**] Term: **14 Years**

[21] Appl. No.: **67,625**

[22] Filed: **Feb. 3, 1997**

[51] LOC (6) Cl. **30-02**

[52] U.S. Cl. **D30/110; D30/124**

[58] Field of Search D30/108-112, D30/121, 123-128, 161; 119/329, 416, 428, 429, 433, 434, 435, 452, 482, 57.8-57.9, 52.2-52.3, 51.03, 52.1, 69.5, 74, 484, 496

[56] References Cited

U.S. PATENT DOCUMENTS

D. 119,499	3/1940	Howard	D30/125
D. 120,350	5/1940	Moore	.	
D. 187,135	2/1960	McDonald	D30/126
D. 194,109	11/1962	Dilley	D30/126
D. 234,521	3/1975	Fry	.	
D. 249,075	8/1978	Platt	.	
D. 274,377	6/1984	Nock	D30/126
D. 329,723	9/1992	Carpenter	.	
D. 350,627	9/1994	Moniak	D30/124
D. 351,690	10/1994	Honeycutt	D30/124
D. 353,030	11/1994	Fernandez	D30/110
D. 381,135	7/1997	Hochlan, Jr.	D30/124
2,230,058	1/1941	Hornung	119/52.3
2,524,502	10/1950	Wilkinson	.	
2,707,454	5/1955	Wilkinson	.	
3,086,499	4/1963	Dilley	119/57.9
3,291,100	12/1966	Negaard	119/57.8
3,295,498	1/1967	Brown	.	
4,204,500	5/1980	Podjan	.	
4,261,294	4/1981	Bescherer	119/57.8
4,649,865	3/1987	Riggi	.	
4,753,195	6/1988	Maggio	119/52.2
5,016,571	5/1991	Totaro	119/57.8

5,323,735	6/1994	Meng	.	
5,339,767	8/1994	Krag	119/57.8
5,413,069	5/1995	Currie	.	
5,495,825	3/1996	Eckelman	119/57.8

OTHER PUBLICATIONS

Old Village Shop Catalog; p. 42; Clear Acrylic Bird Feeder/ Thermometer; Aug. 1990.

Duncraft Audubon brochure; p. 4; Window Feeders #75701; Aug. 1995.

Winterthur Catalog; p. 26; Lucite Bird Feeder #986; 1990/ 91.

The Blarney Gift Catalog; Blarney Woollen Mills Company, Blarney, IR; Wild Bird Window Habitat #152601; Apr. 1990.

Hyde Bird Feeder Co. Catalog; Plexiglass Window Feeder #124; 1975/76.

Primary Examiner—Cathy Anne MacCormac
Attorney, Agent, or Firm—Richard C. Litman

[57] CLAIM

The ornamental design for a combined bird shelter and feeder, as shown and described.

DESCRIPTION

FIG. 1 is an perspective view of a combined bird shelter and feeder showing my new design;

FIG. 2 is a front elevational view with the rear view being a mirror image thereof;

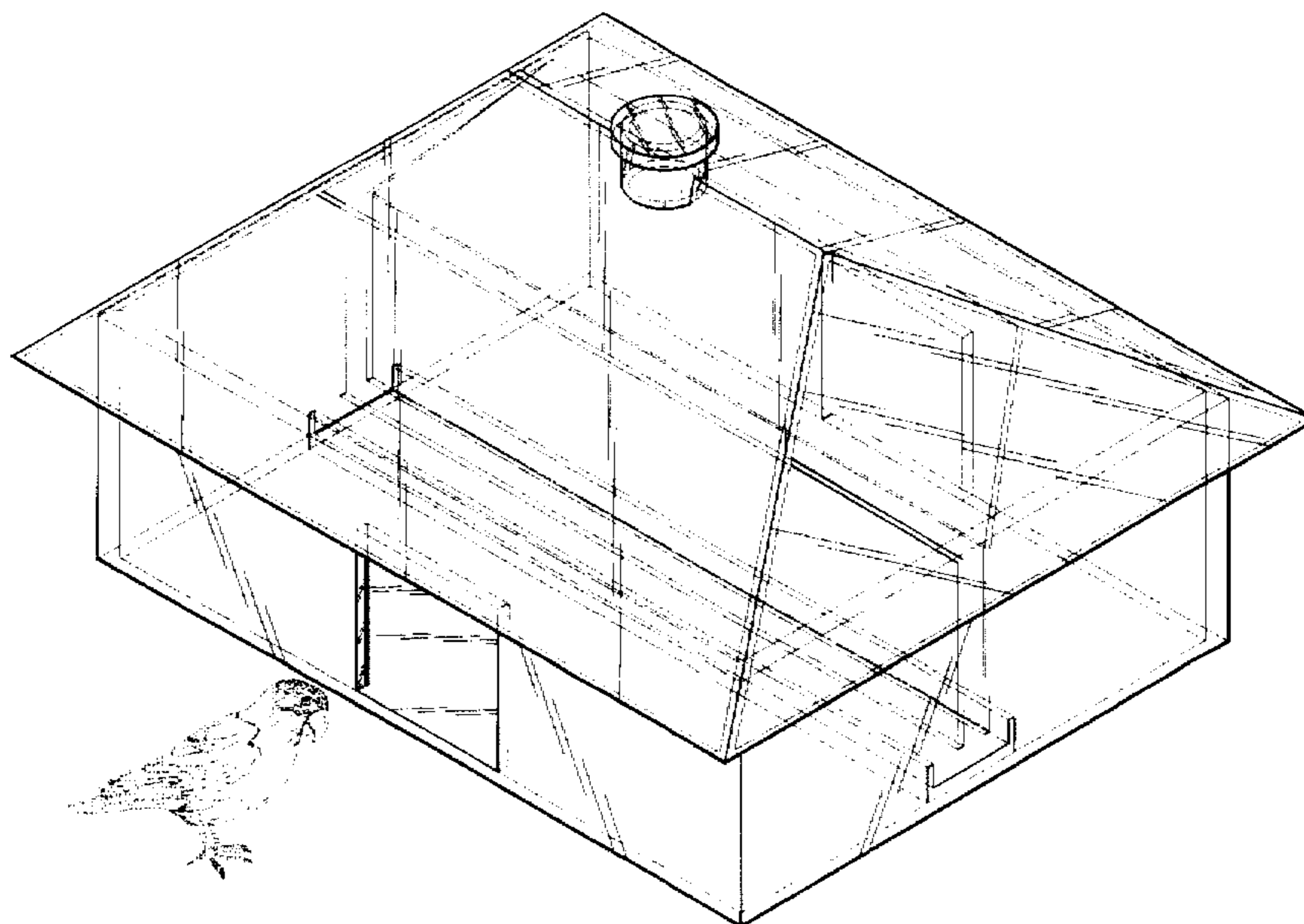
FIG. 3 is a right side elevational view with the left side being a mirror image thereof;

FIG. 4 is a top view thereof; and,

FIG. 5 is a cross sectional view thereof taken on line 5—5 of FIG. 4.

The broken line showing of the bird in FIG. 1 and the hanging hooks in FIG. 2 are for illustrative purposes only and forms no part of the claimed design. The undisclosed bottom plan view is plain and unornamented.

1 Claim, 5 Drawing Sheets



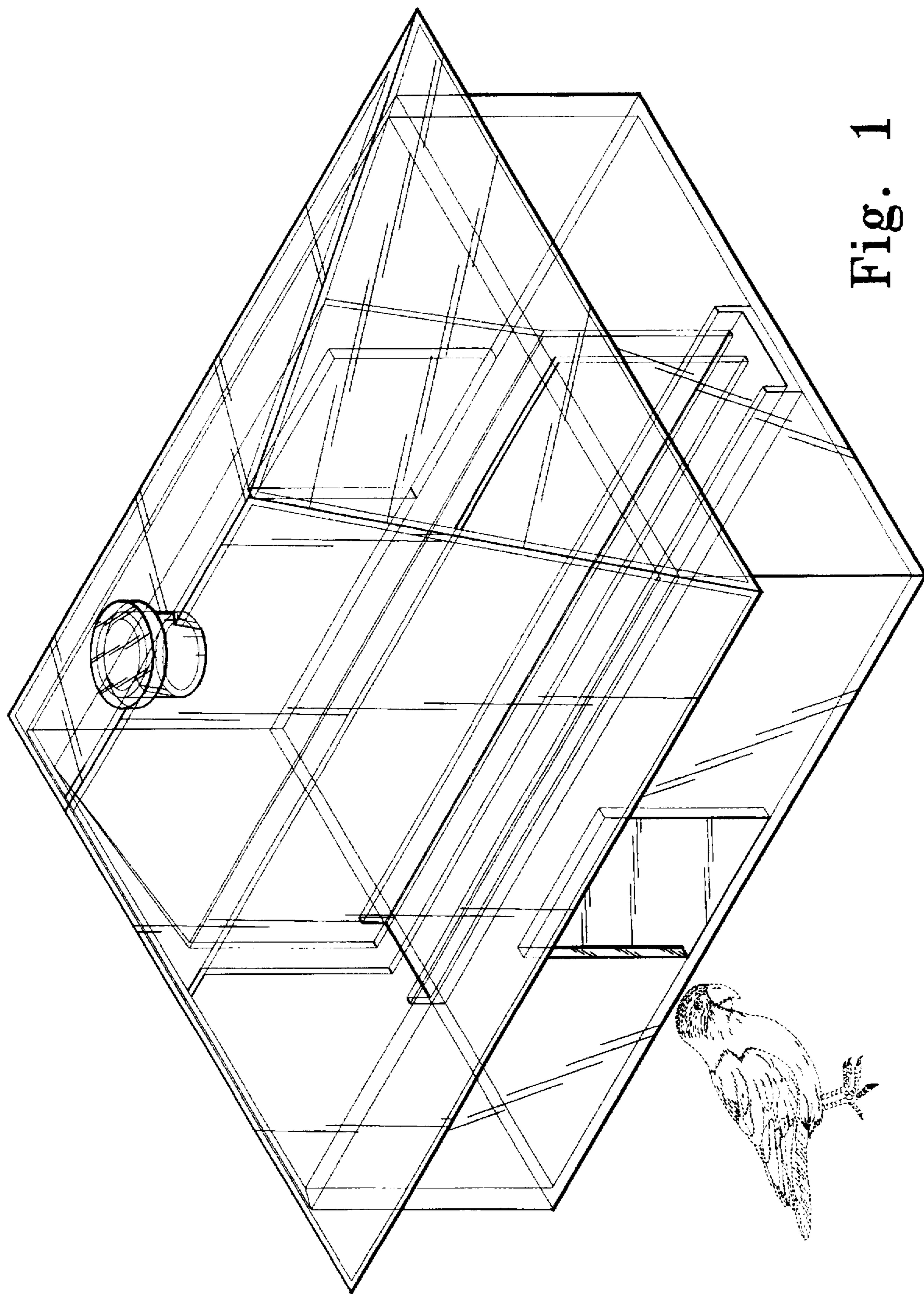


Fig. 1

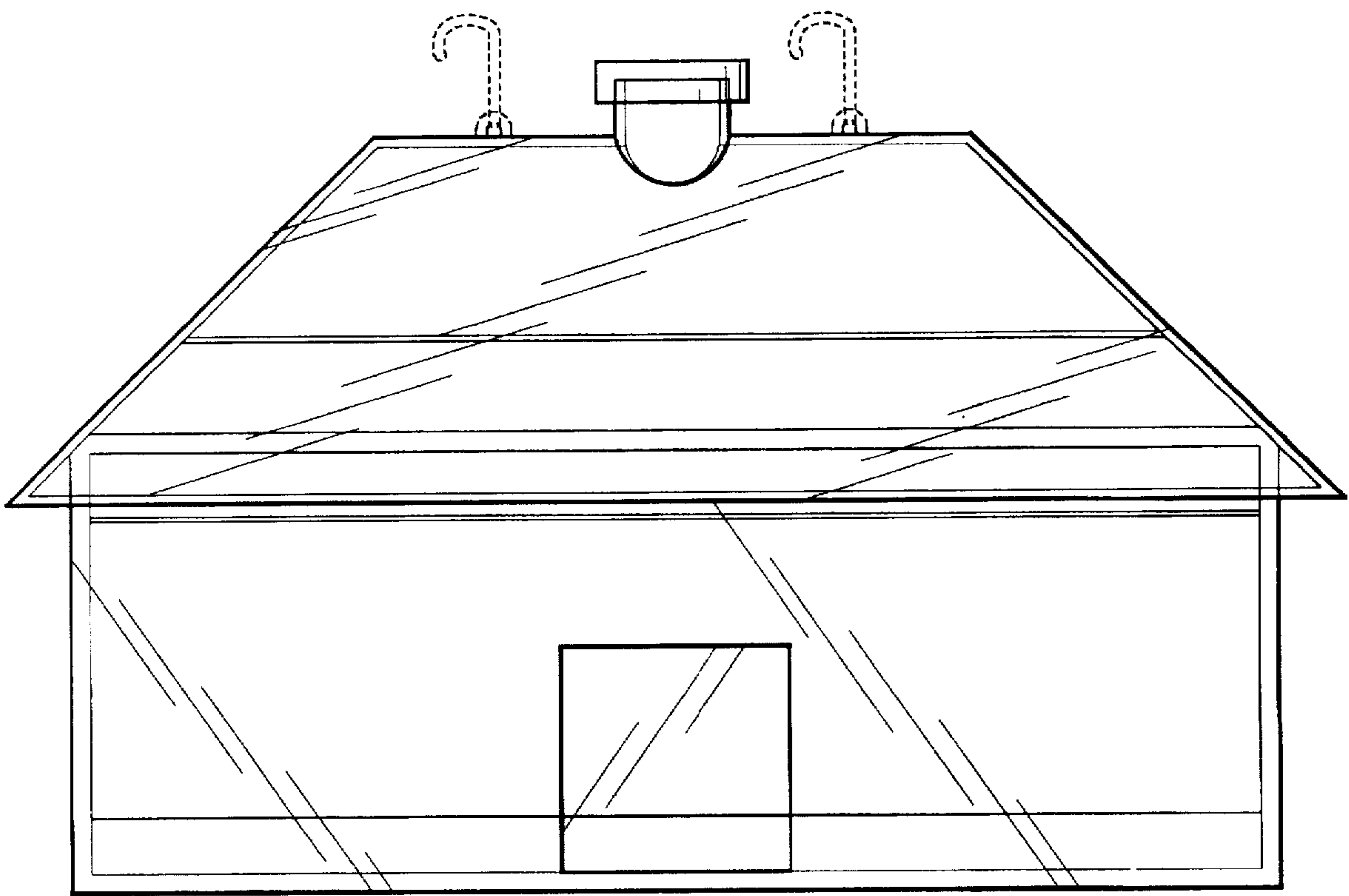


Fig. 2

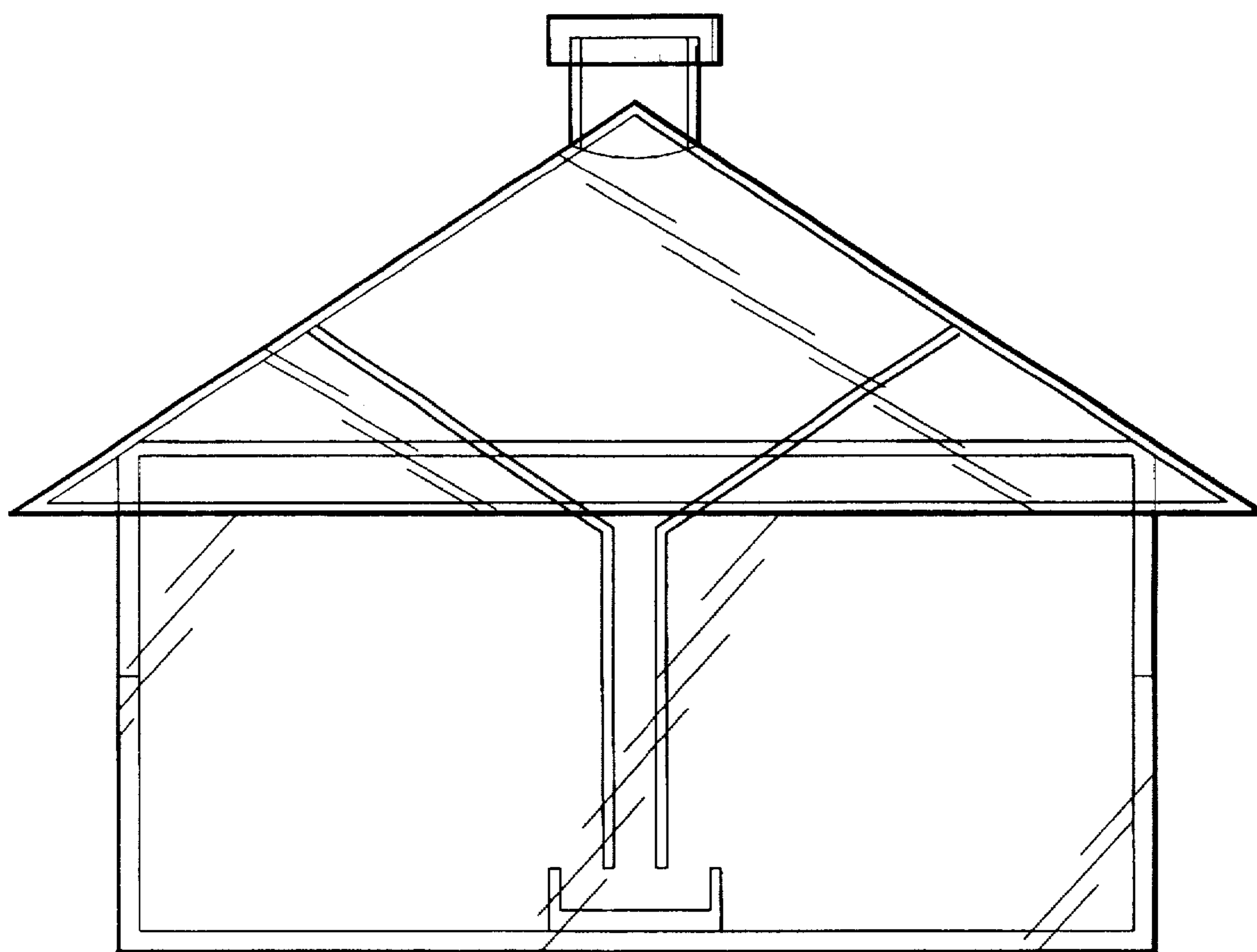


Fig. 3

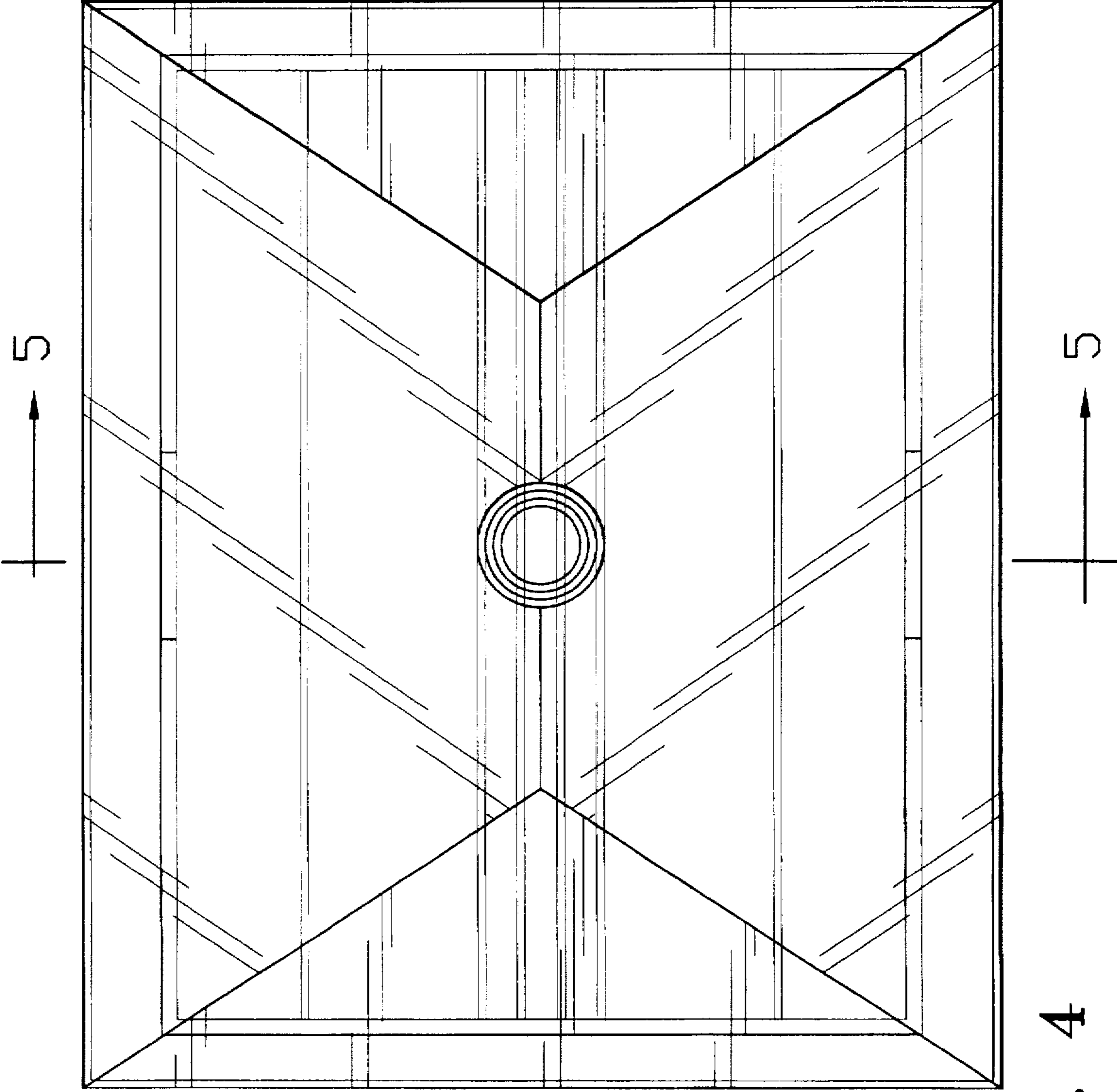


Fig. 4

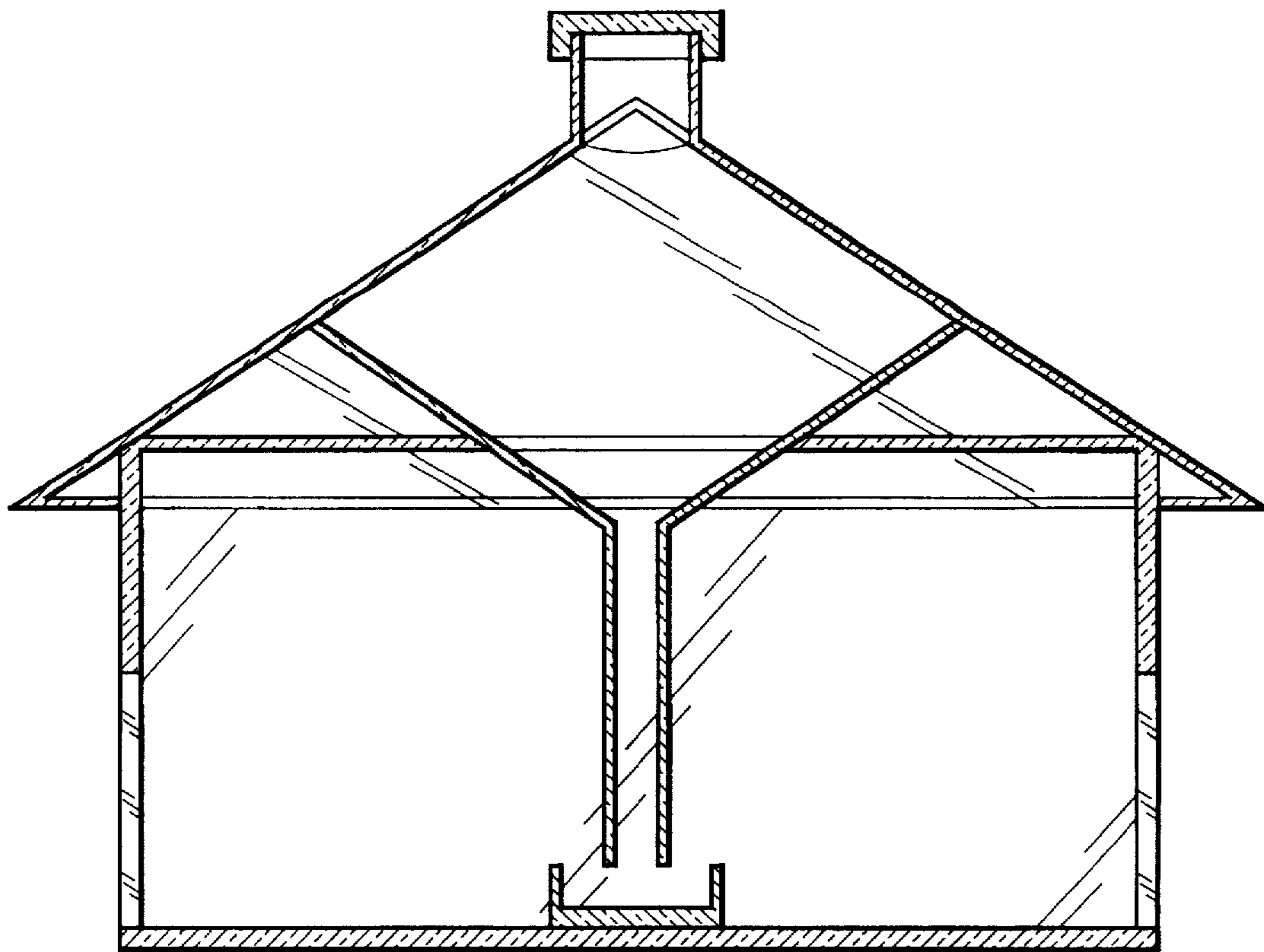


Fig. 5