



US00D396327S

United States Patent [19]
Makrinos

[11] **Patent Number:** **Des. 396,327**

[45] **Date of Patent:** ****Jul. 21, 1998**

[54] **CIGAR CUTTER**

[76] **Inventor:** **E. Louis Makrinos**, 1374 Post Rd., Old Greenwich, Conn. 06870

[**] **Term:** **14 Years**

[21] **Appl. No.:** **74,197**

[22] **Filed:** **Jul. 29, 1997**

[51] **LOC (6) Cl.** **27-06**

[52] **U.S. Cl.** **D27/195**

[58] **Field of Search** D27/194, 195;
131/248, 253, 233, 252; 30/109, 110, 111,
112, 113

[56] **References Cited**

U.S. PATENT DOCUMENTS

D. 34,366	4/1901	Fuchs	D27/195
D. 268,138	3/1983	Cervantes	D27/195
305,017	9/1884	Pusey	131/253

Primary Examiner—Susan J. Lucas
Assistant Examiner—Jennifer Rivard
Attorney, Agent, or Firm—Stroock & Stroock & Lavan LLP

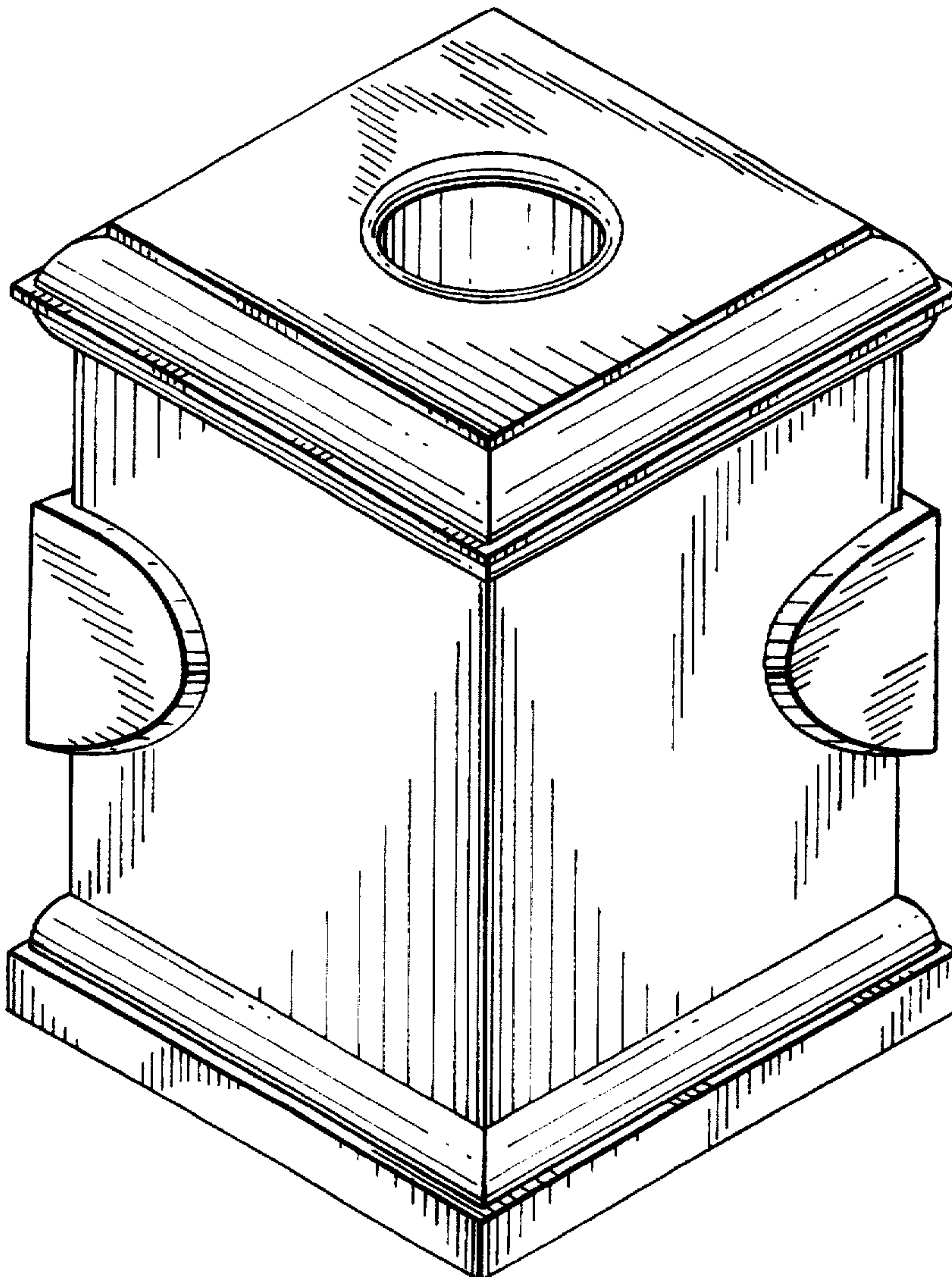
[57] **CLAIM**

The ornamental design for a cigar cutter, as shown and described.

DESCRIPTION

FIG. 1 is a front perspective view of a cigar cutter constructed in accordance with the invention, the rear perspective view being a mirror image thereof;
FIG. 2 is a top plan view thereof;
FIG. 3 is a left side elevational view thereof, the right side elevational view being a mirror image thereof;
FIG. 4 is a bottom plan view thereof;
FIG. 5 is a perspective view thereof with the cutting mechanism partially activated; and
FIG. 6 is a top plan view thereof with the cutting mechanism partially activated.

1 Claim, 3 Drawing Sheets



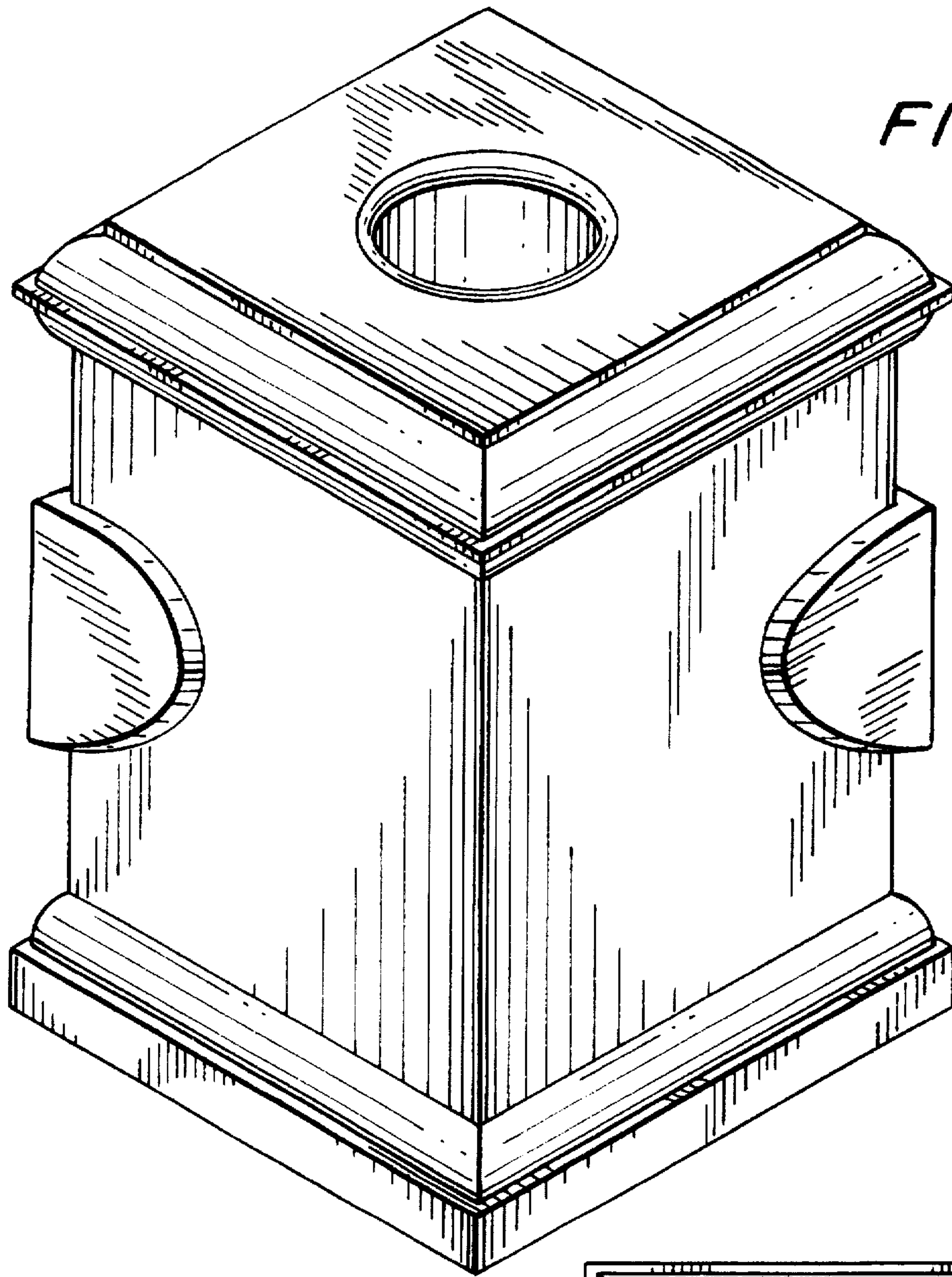


FIG. 1

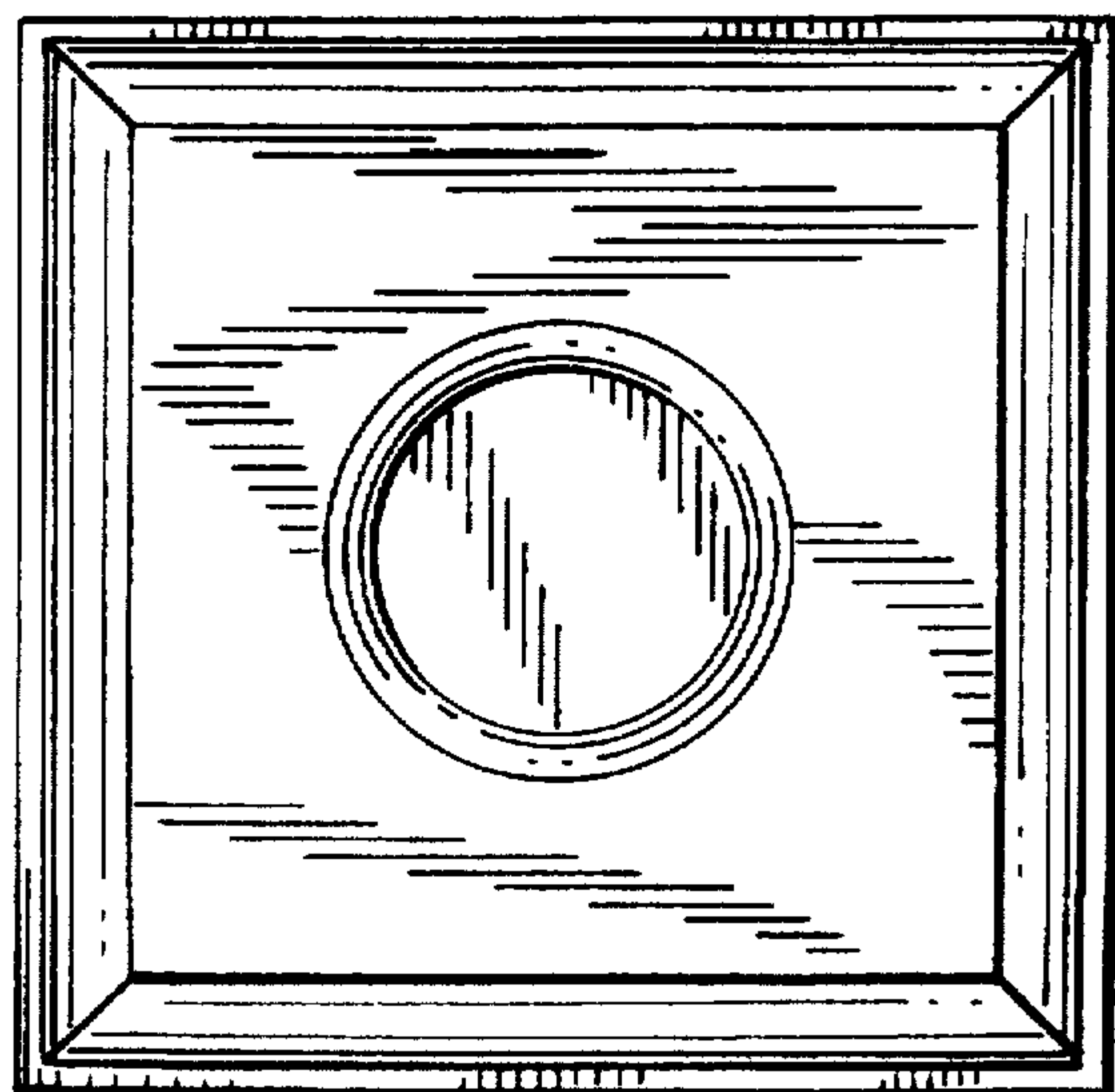


FIG. 2

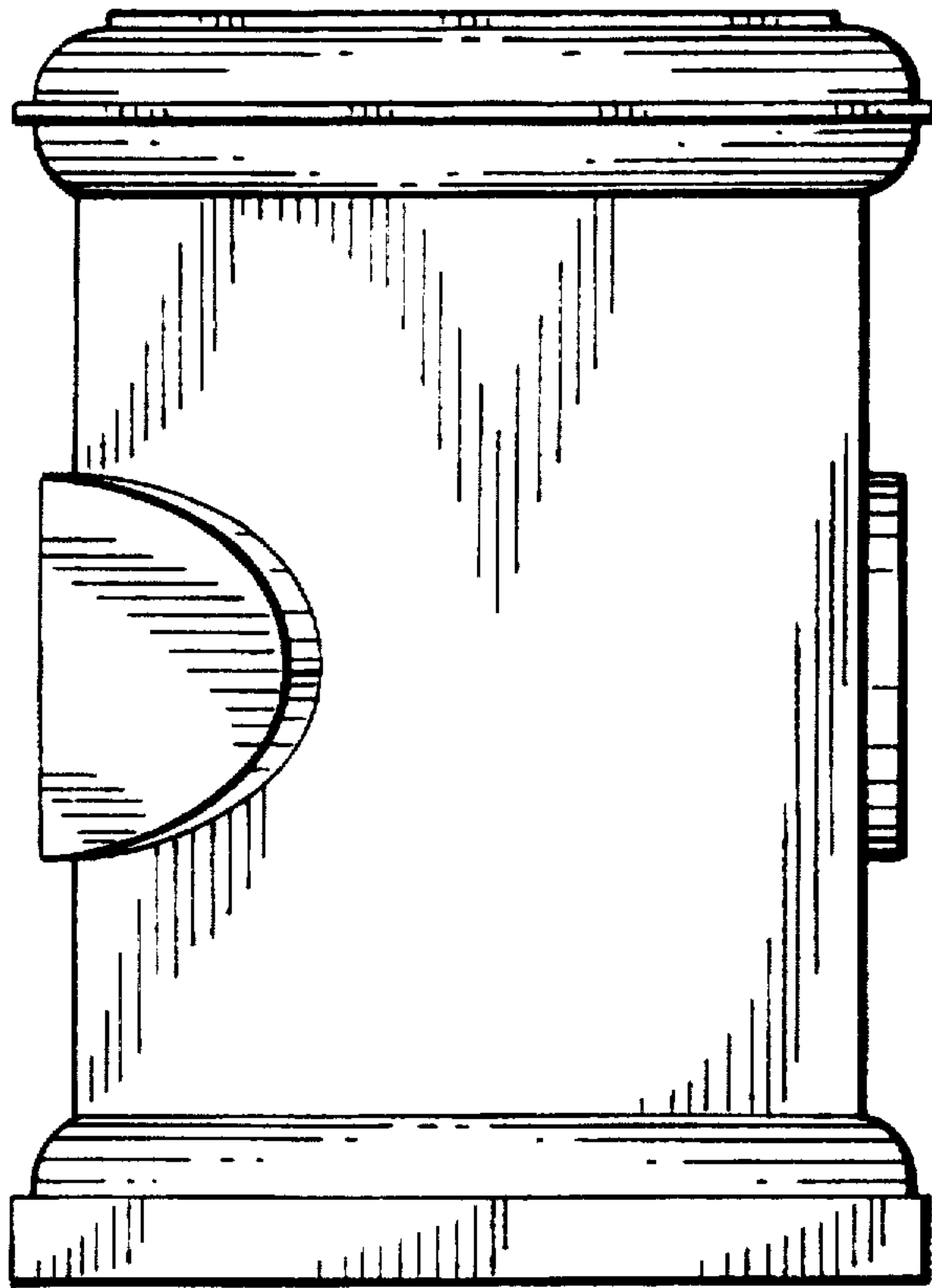
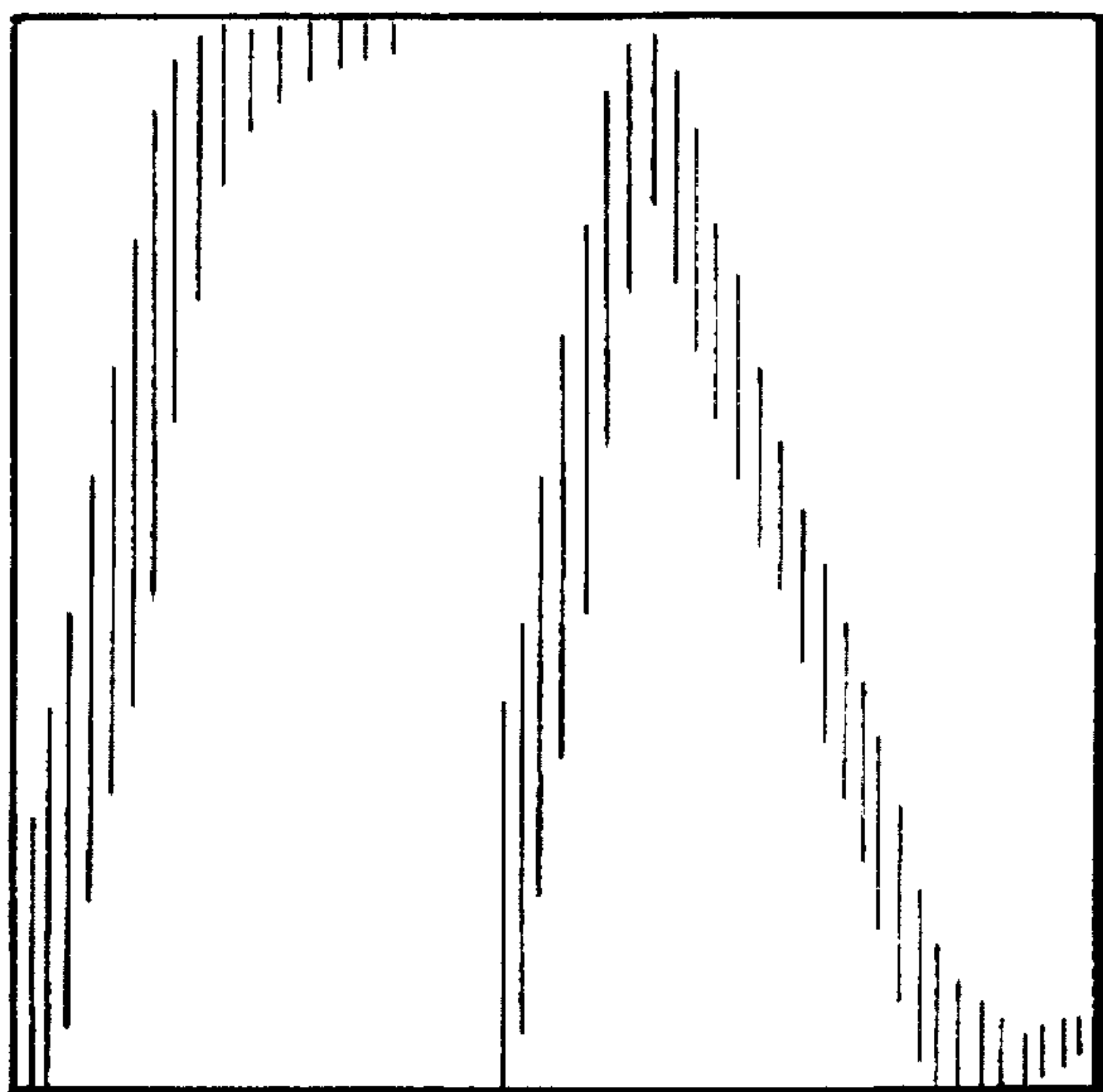


FIG. 3

FIG. 4



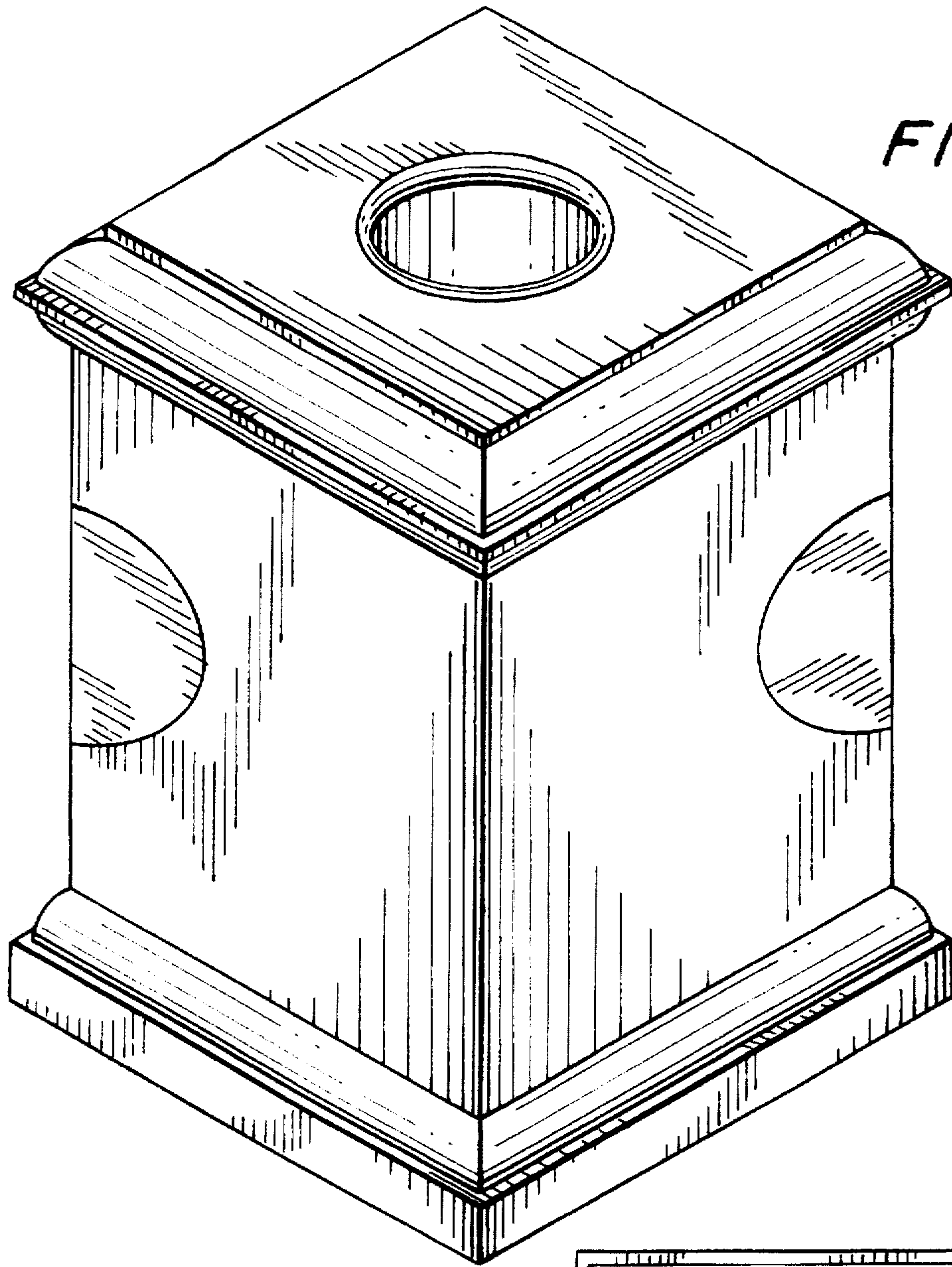


FIG. 5

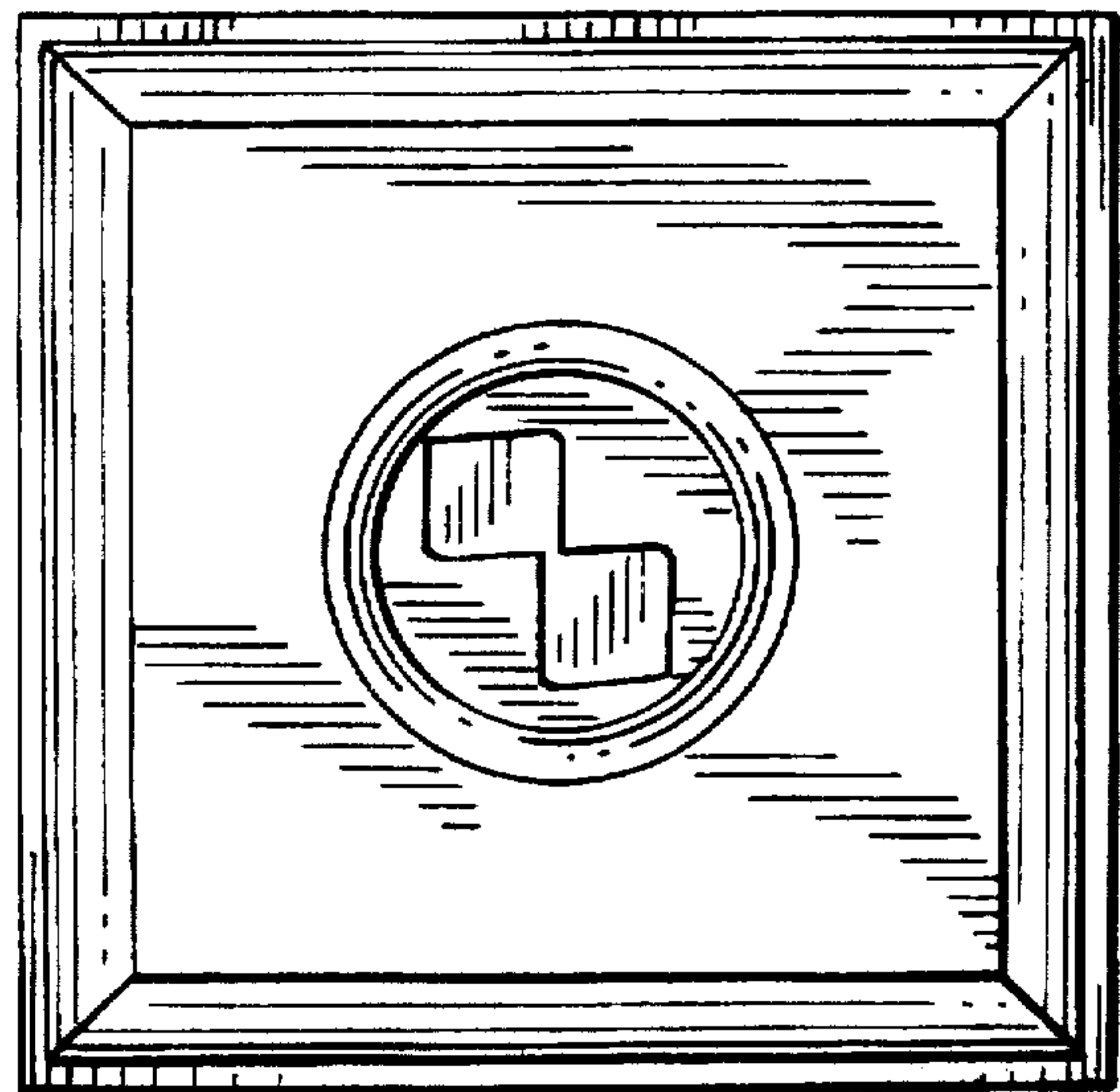


FIG. 6