



US00D396326S

United States Patent [19]
Makrinos

[11] **Patent Number:** **Des. 396,326**
[45] **Date of Patent:** ****Jul. 21, 1998**

[54] **CIGAR CUTTER**

Attorney, Agent, or Firm—Stroock & Stroock & Lavan LLP

[76] **Inventor:** **E. Louis Makrinos**, 1374 Post Rd., Old Greenwich, Conn. 06870

[57] **CLAIM**

The ornamental design for a cigar cutter, as shown and described.

[**] **Term:** **14 Years**

DESCRIPTION

[21] **Appl. No.:** **74,196**

[22] **Filed:** **Jul. 29, 1997**

[51] **LOC (6) Cl.** **27-06**

[52] **U.S. Cl.** **D27/195**

[58] **Field of Search** D27/194, 195;
131/248, 253, 233, 252; 30/109, 111, 110,
112, 113

FIG. 1 is a perspective view of a cigar cutter constructed in accordance with the invention;

FIG. 2 is a top plan view thereof;

FIG. 3 is a right side elevational view thereof, the left side elevational view being a mirror image thereof;

FIG. 4 is a front elevational view thereof;

FIG. 5 is a rear elevational view thereof;

FIG. 6 is a bottom plan view thereof;

FIG. 7 is a perspective view thereof in which the cutting mechanism is partially activated; and,

FIG. 8 is a top plan view thereof with the cutting mechanism partially activated.

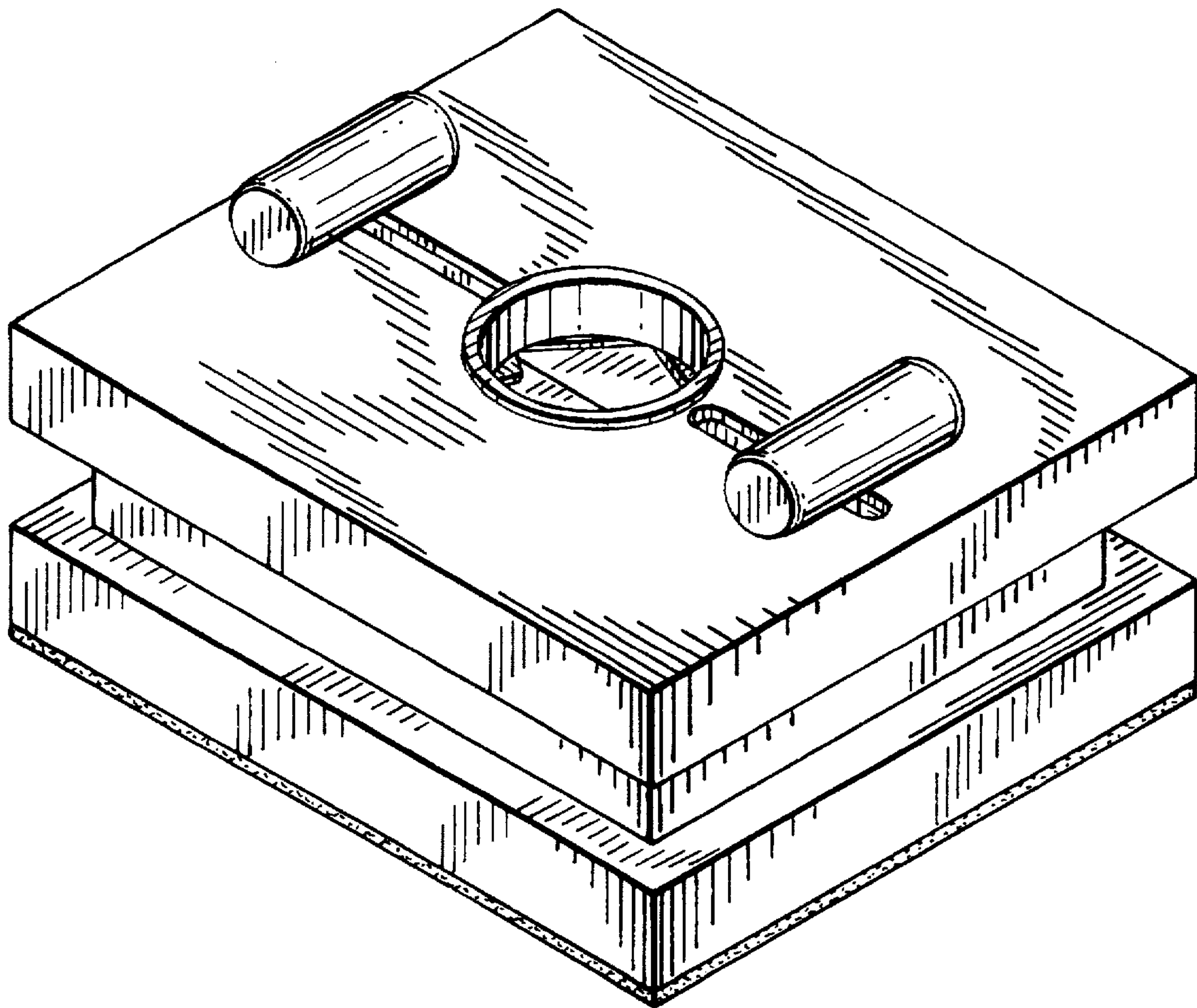
[56] **References Cited**

U.S. PATENT DOCUMENTS

D. 34,366	4/1901	Fuchs	D27/195
305,017	9/1884	Pusey	131/253
D. 380,863	7/1997	Mikler	D27/195

Primary Examiner—Susan J. Lucas
Assistant Examiner—Jennifer Rivard

1 Claim, 3 Drawing Sheets



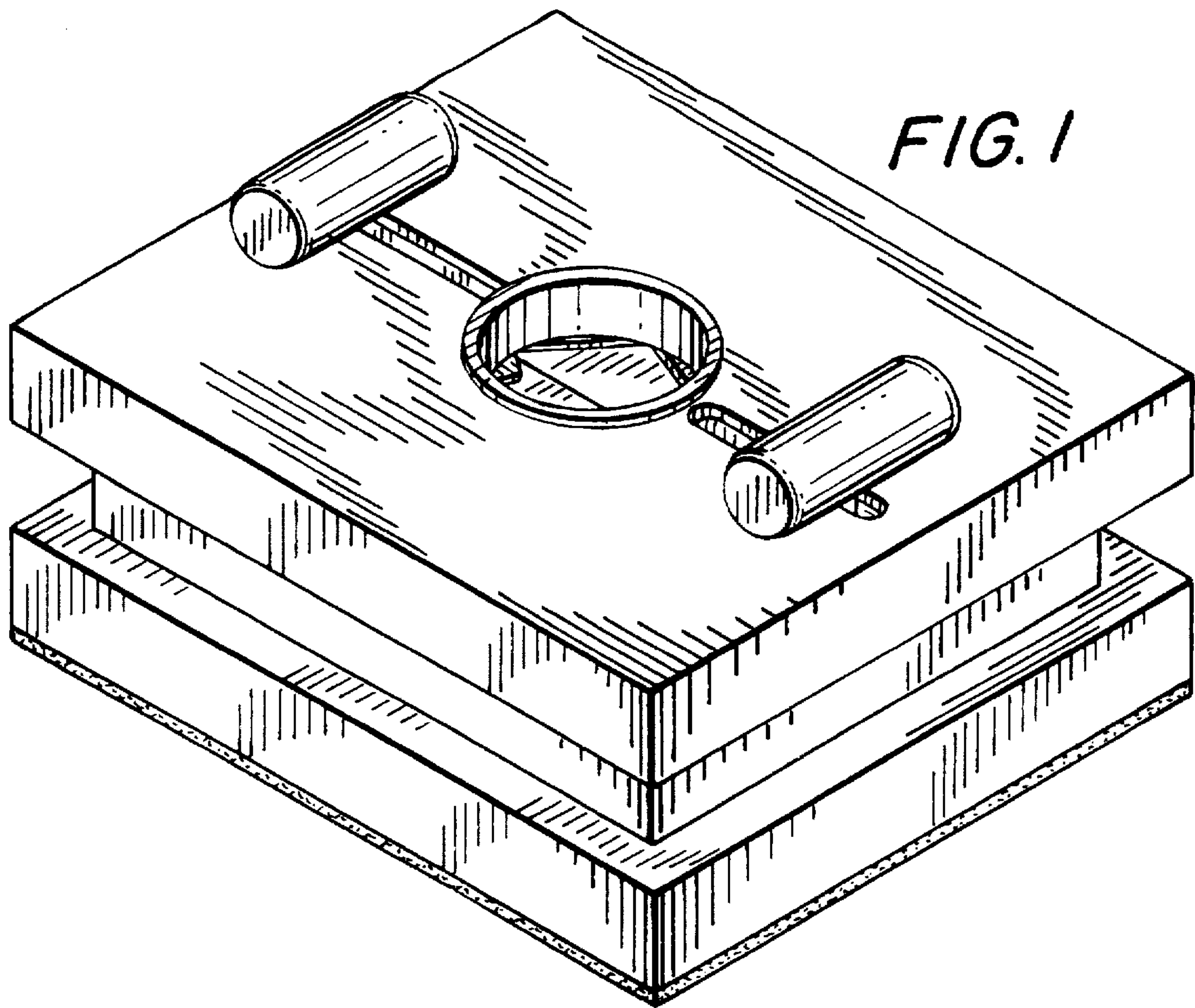


FIG. 2

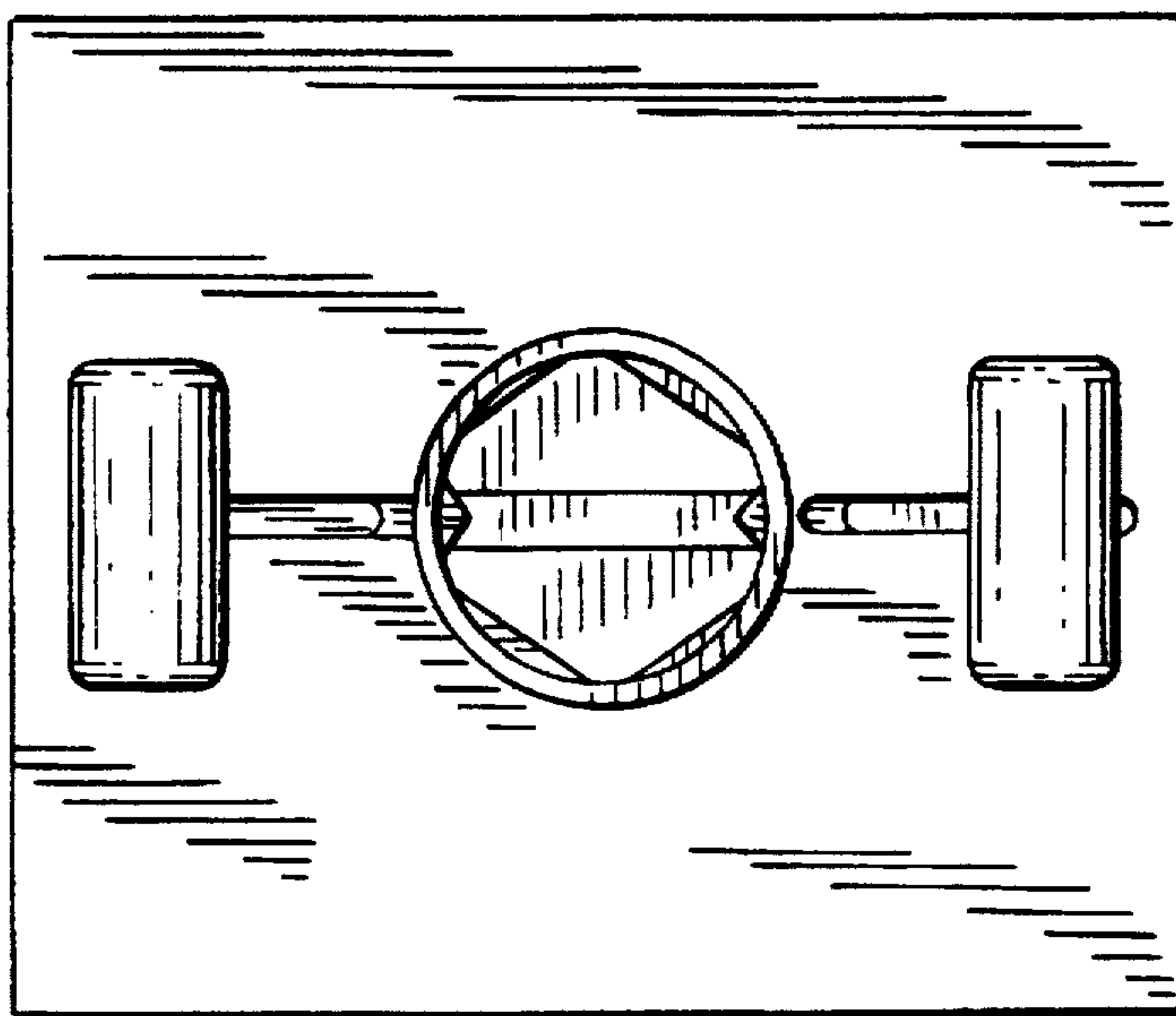


FIG. 3

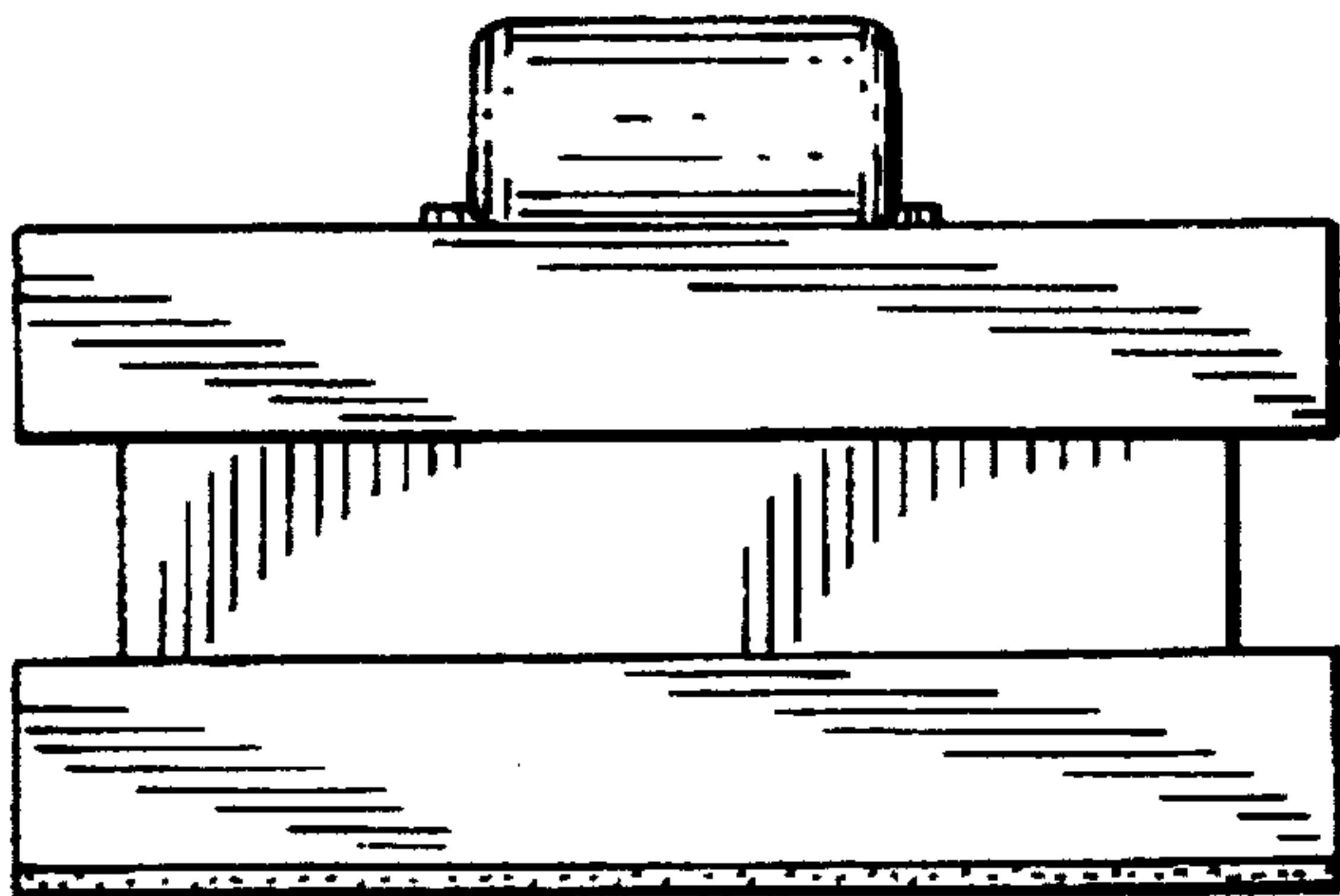
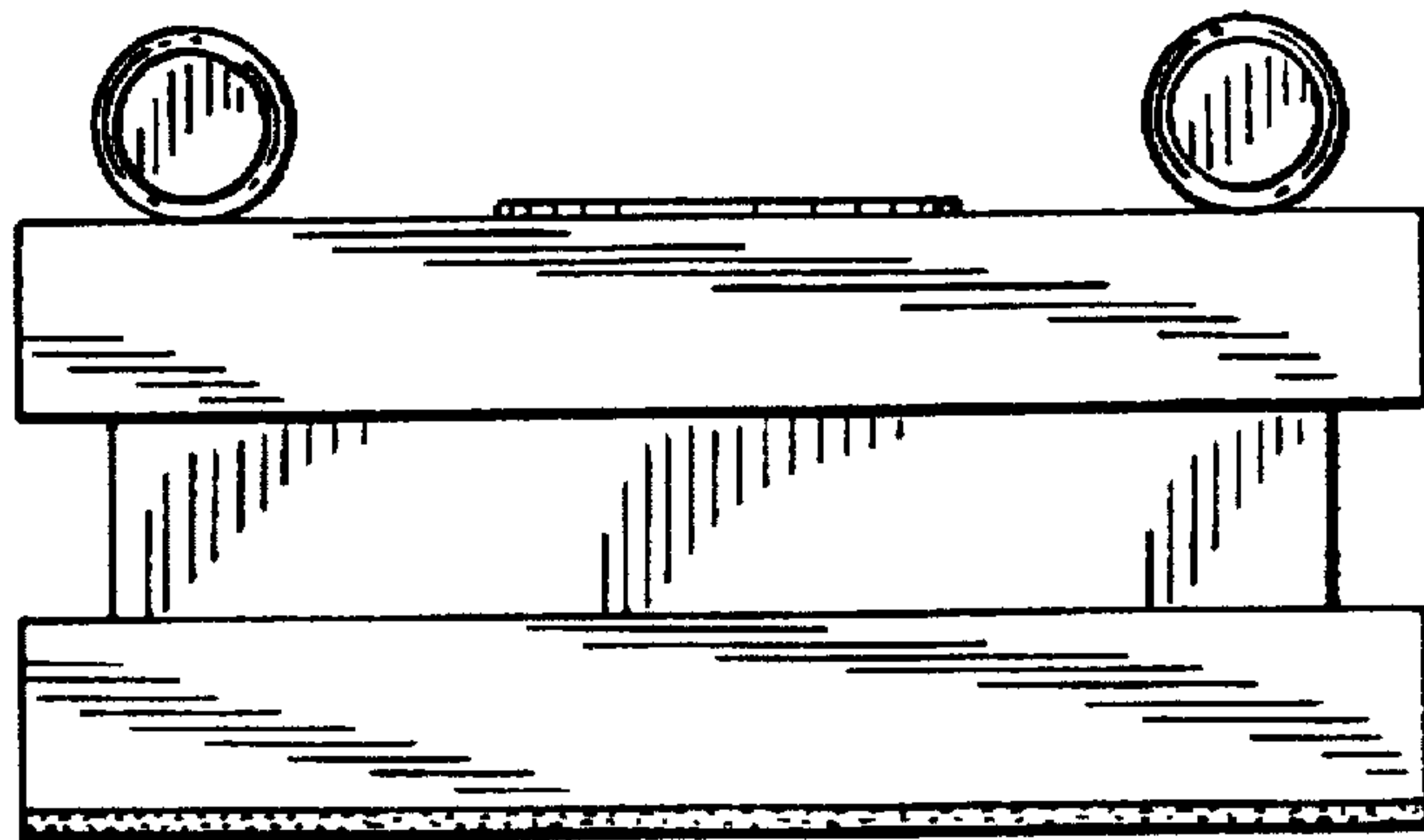


FIG. 4

FIG. 5

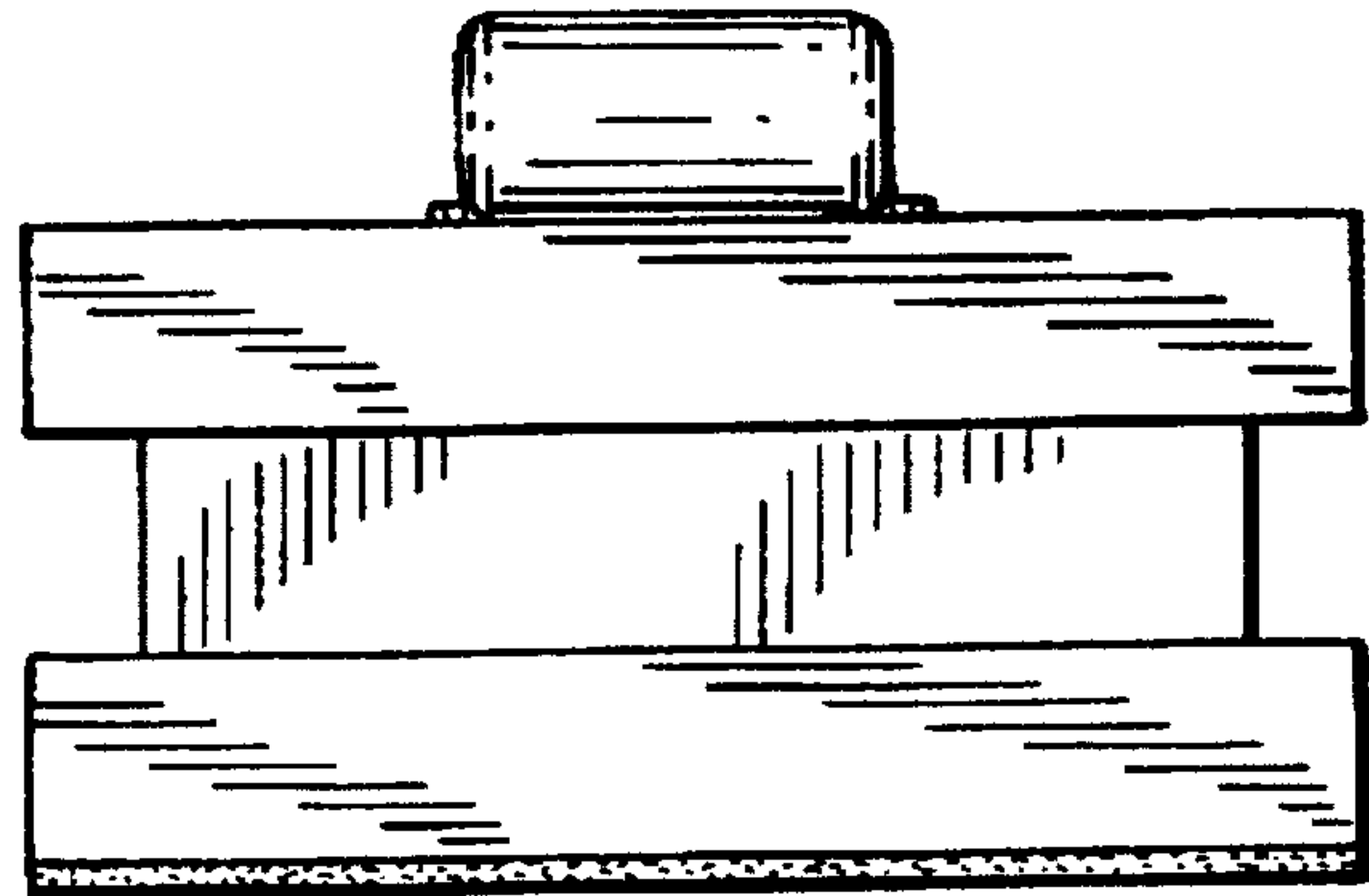
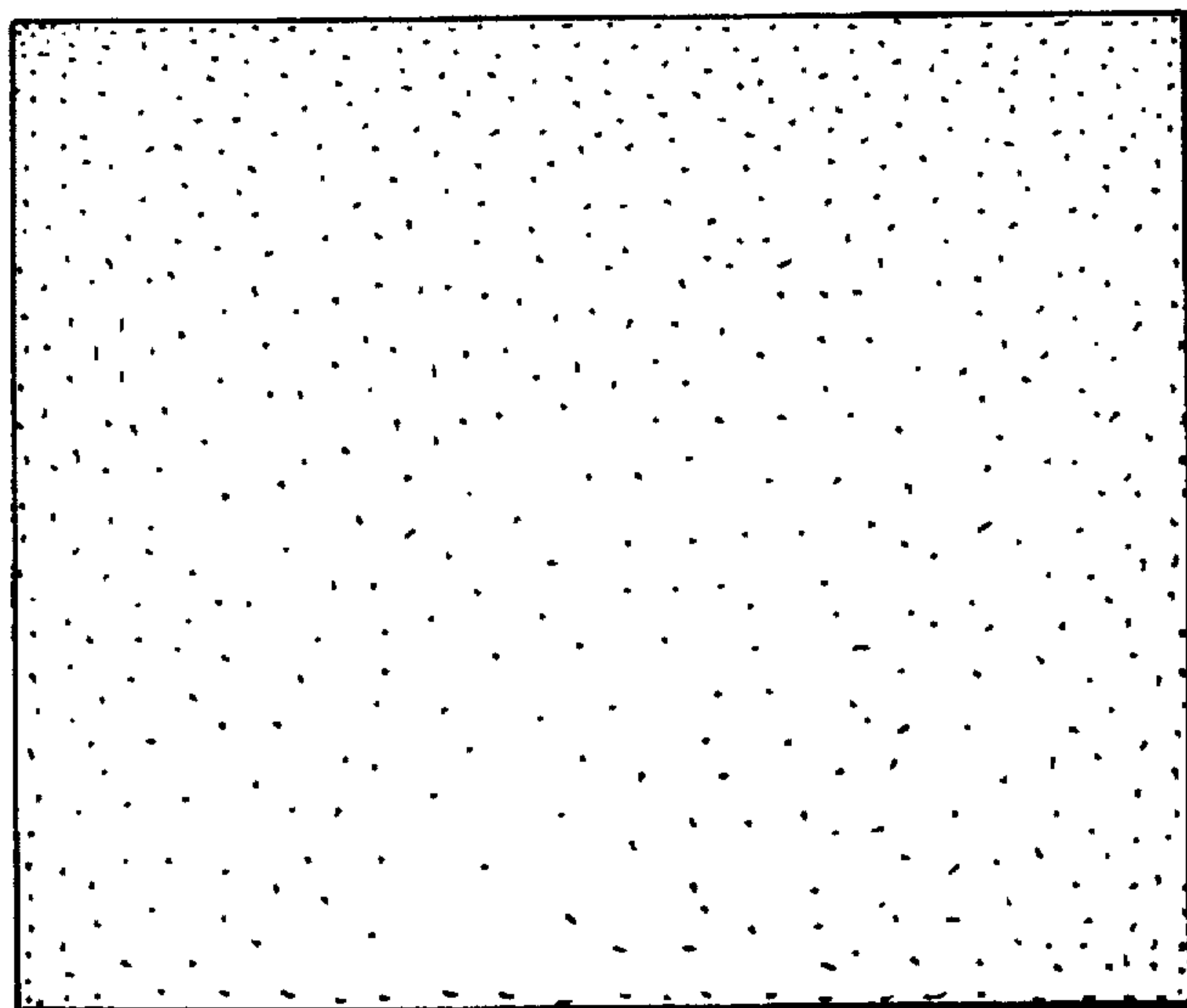


FIG. 6



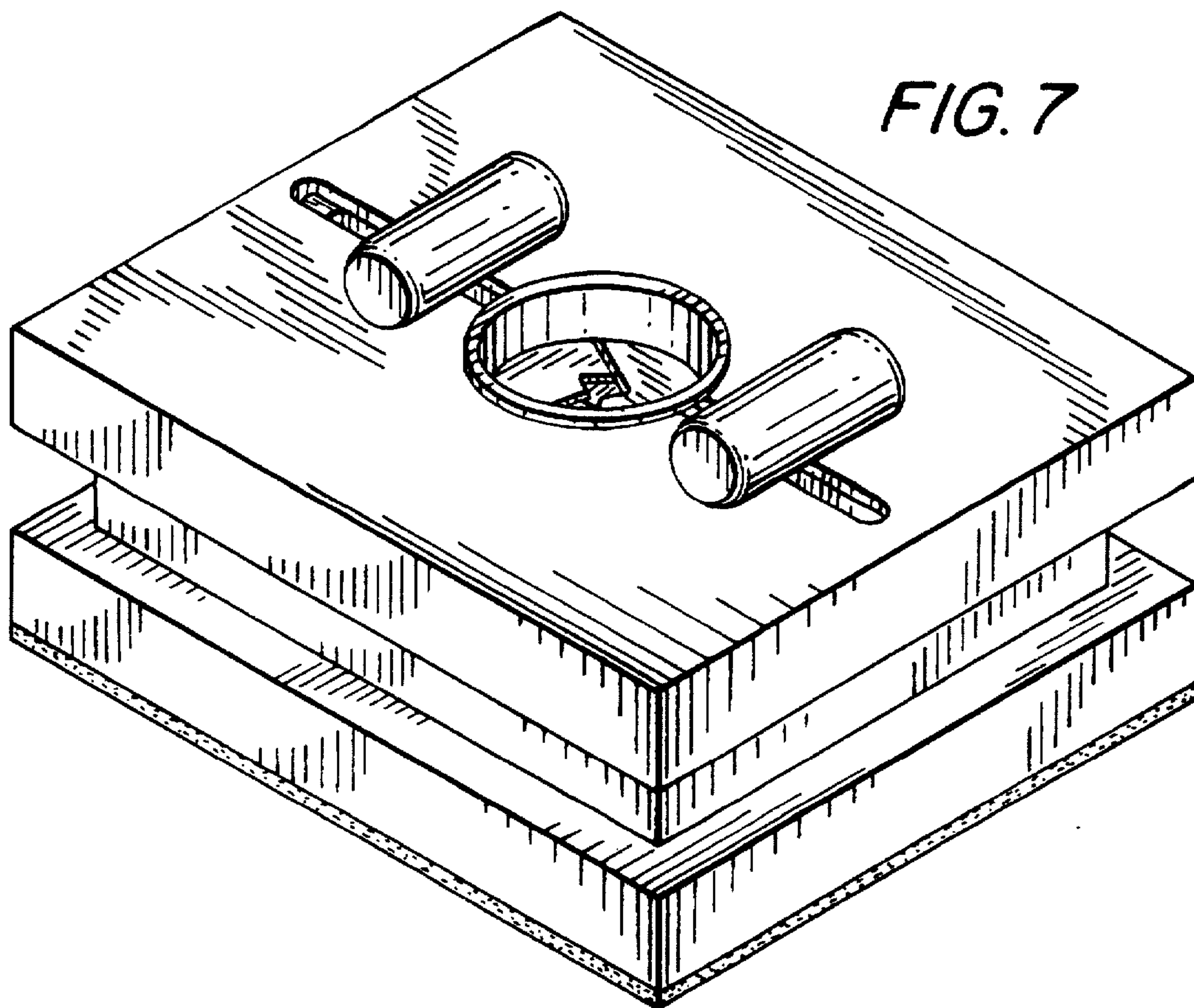


FIG. 8

