

US00D396324S

United States Patent [19]
Perkins

[11] **Patent Number:** **Des. 396,324**
[45] **Date of Patent:** ****Jul. 21, 1998**

[54] **ASH TRAY**
[75] **Inventor:** **David R. Perkins, Manchester, Mass.**
[73] **Assignee:** **Glass Dimensions, Inc., Essex, Mass.**
[**] **Term:** **14 Years**
[21] **Appl. No.:** **73,910**
[22] **Filed:** **Jul. 21, 1997**
[51] **LOC (6) Cl.** **27-03**
[52] **U.S. Cl.** **D27/135; D27/102**
[58] **Field of Search** **131/241, 240.1,**
131/231, 187, 237; D27/128, 134, 135,
137, 138, 102, 103, 122

1,968,118 7/1934 Ausbrooks 131/231
2,760,514 8/1956 Guthrie et al. 131/237

Primary Examiner—Susan J. Lucas
Assistant Examiner—Jennifer Rivard
Attorney, Agent, or Firm—Cesari and McKenna, LLP

[57] **CLAIM**

The ornamental design for an ash tray, as shown and described.

DESCRIPTION

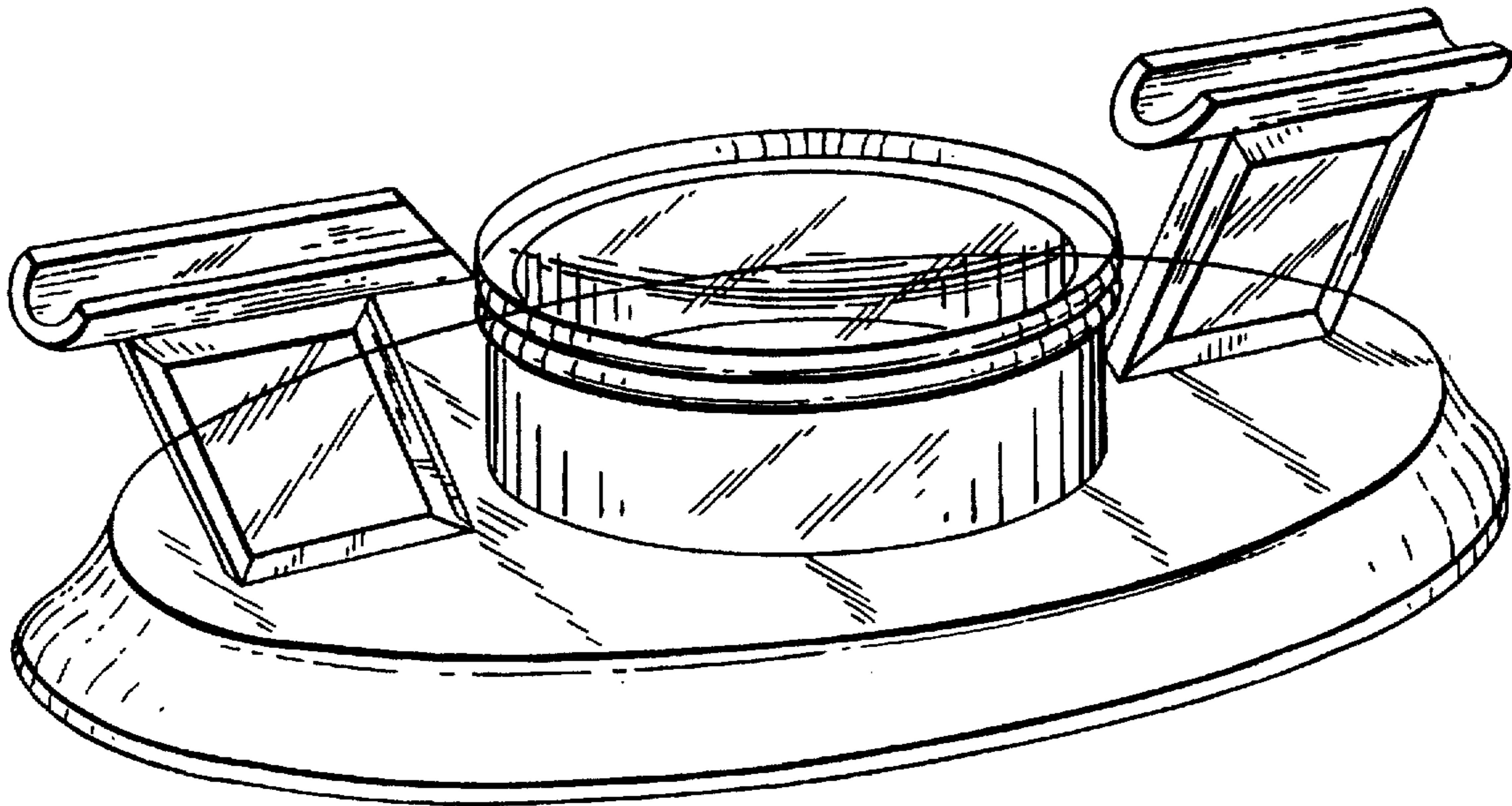
FIG. 1 is a right front perspective view of an ash tray showing my new design;
FIG. 2 is a left side elevational view thereof, the right side being a mirror-image of the left side;
FIG. 3 is a rear elevational view thereof, the front being a mirror-image of the rear;
FIG. 4 is a top plan view thereof; and,
FIG. 5 is a bottom plan view on a smaller scale thereof.

[56] **References Cited**

U.S. PATENT DOCUMENTS

D. 217,942 6/1970 Angelakos D27/135
D. 241,858 10/1976 Vrignaud D27/134

1 Claim, 2 Drawing Sheets



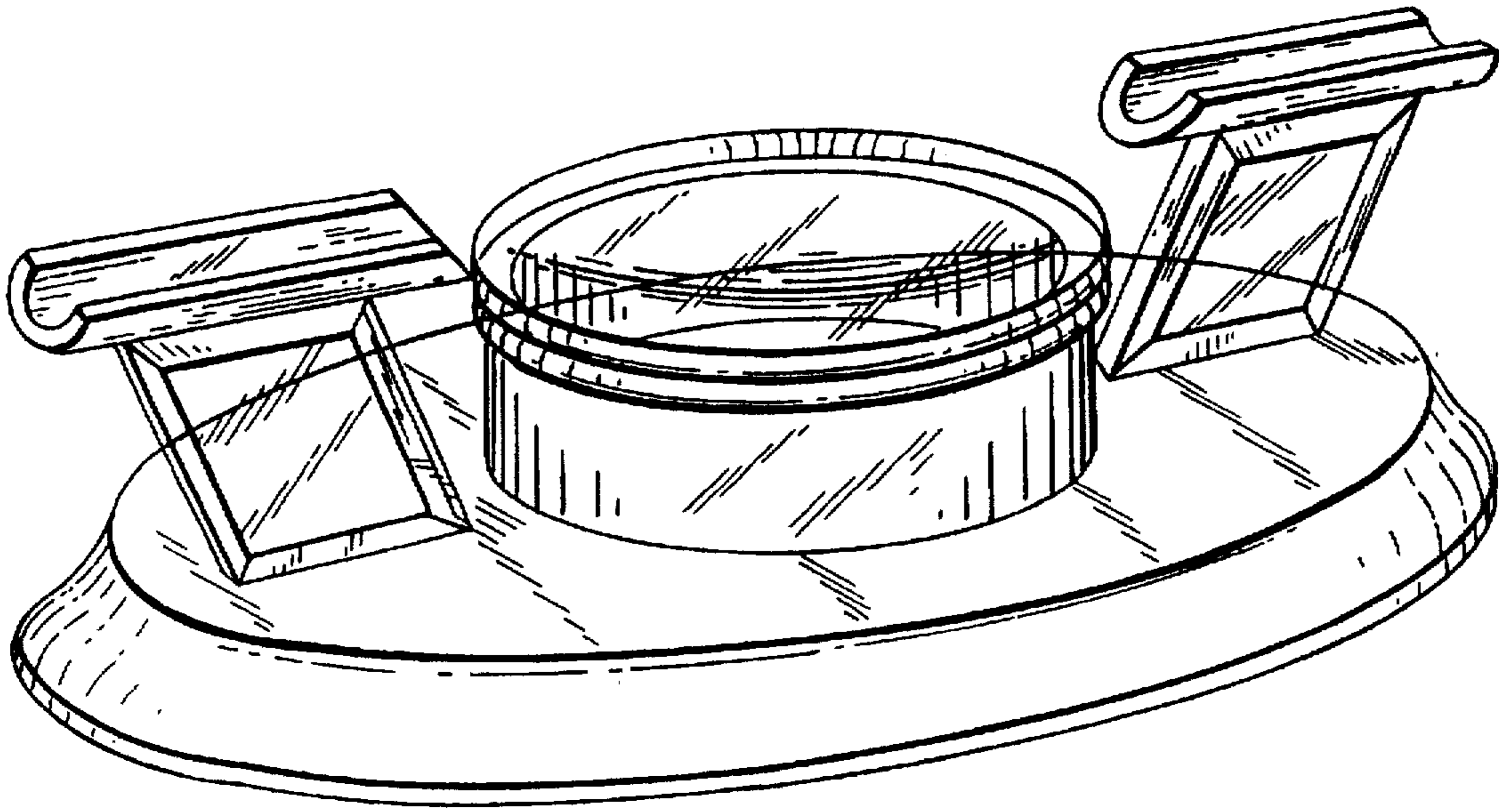


FIG. 1

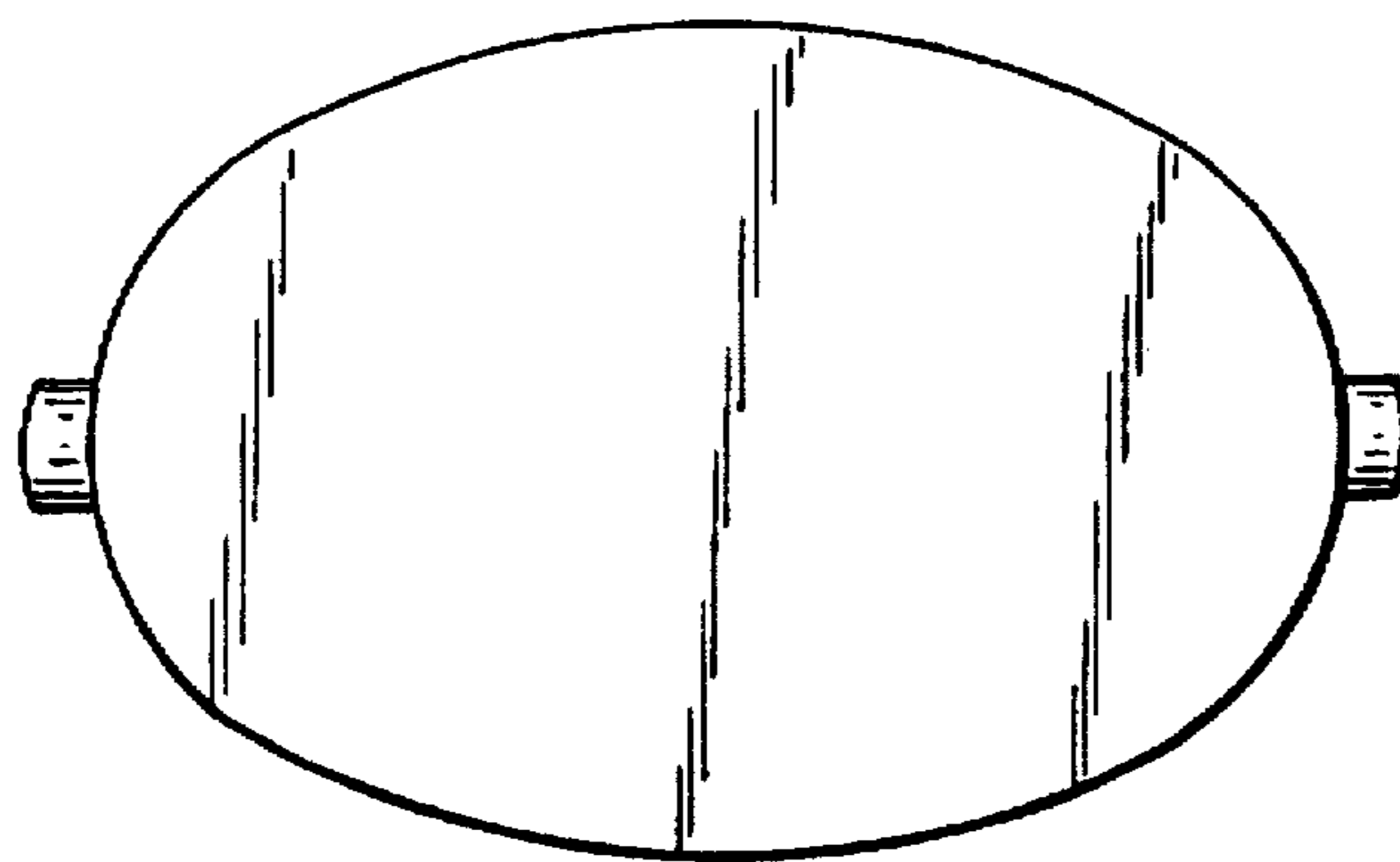


FIG. 5

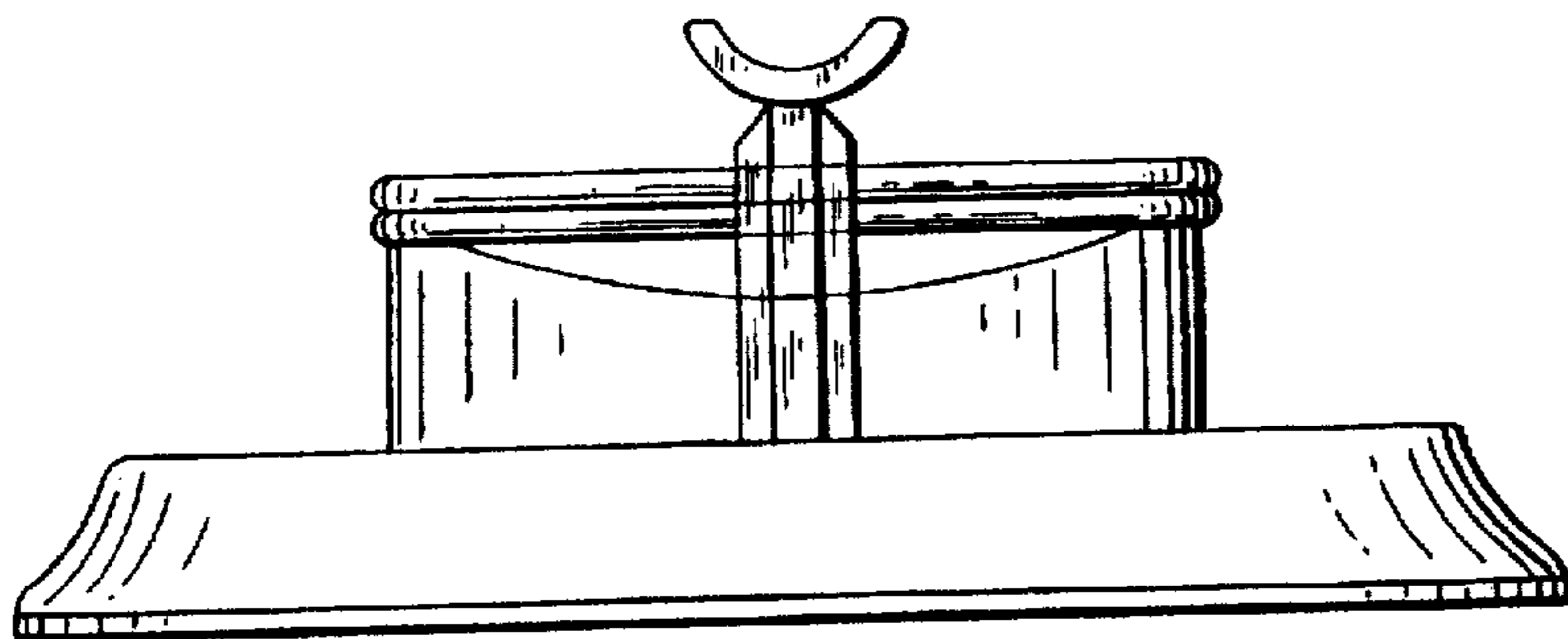


FIG. 2

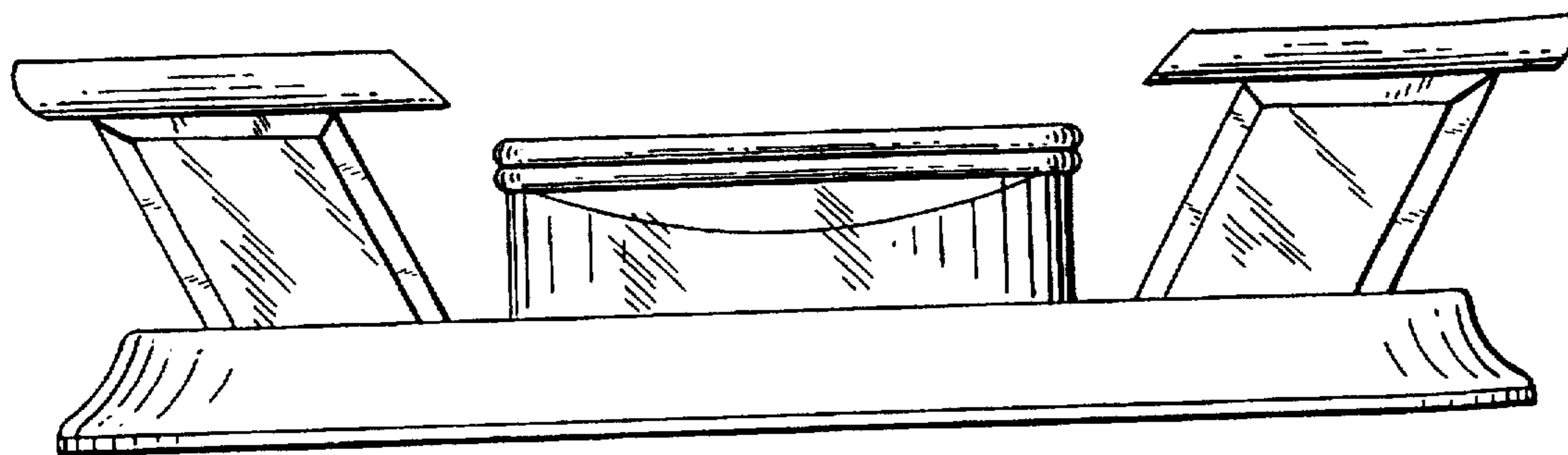


FIG. 3

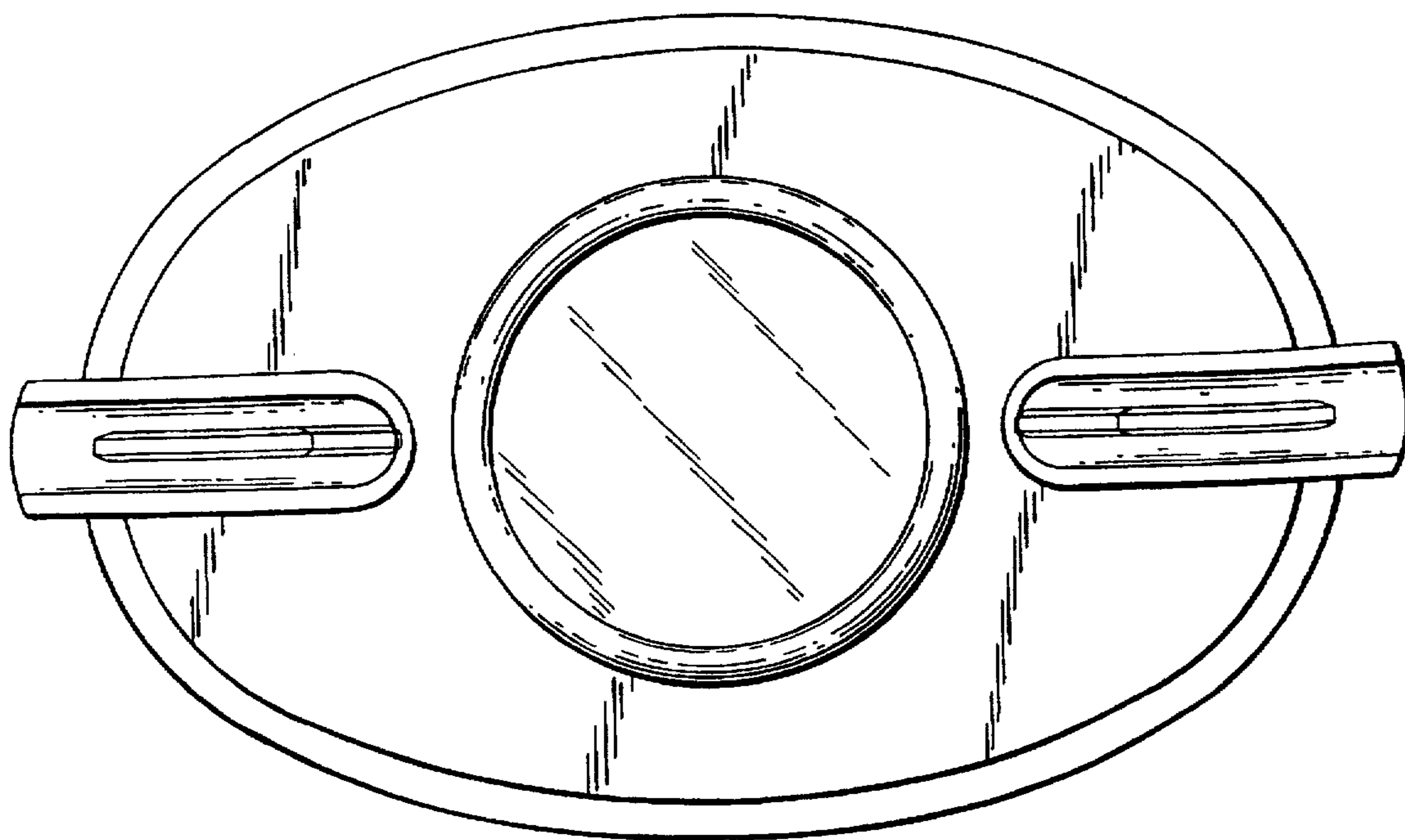


FIG. 4