



US00D396322S

United States Patent [19]
Miranda

[11] **Patent Number:** **Des. 396,322**
[45] **Date of Patent:** ****Jul. 21, 1998**

[54] **BACK PLATE FOR A LIGHTING FIXTURE**

[76] **Inventor:** **Pasquale Miranda**, 154 Sleepy Hollow Rd., Briarcliff Manor, N.Y. 10510

[**] **Term:** **14 Years**

[21] **Appl. No.:** **72,594**

[22] **Filed:** **Jun. 20, 1997**

[51] **LOC (6) Cl.** **26-99**

[52] **U.S. Cl.** **D26/142**

[58] **Field of Search** D26/72, 92, 87, D26/142, 143, 145; D8/350; 362/147, 432

[56] **References Cited**

U.S. PATENT DOCUMENTS

D. 372,327 7/1996 Miranda D26/142

OTHER PUBLICATIONS

Crescent Brass Mfg. co., Inc. p. 18, cast brass border #1011-C, top right, Dec. 1950.

Primary Examiner—Susan J. Lucas

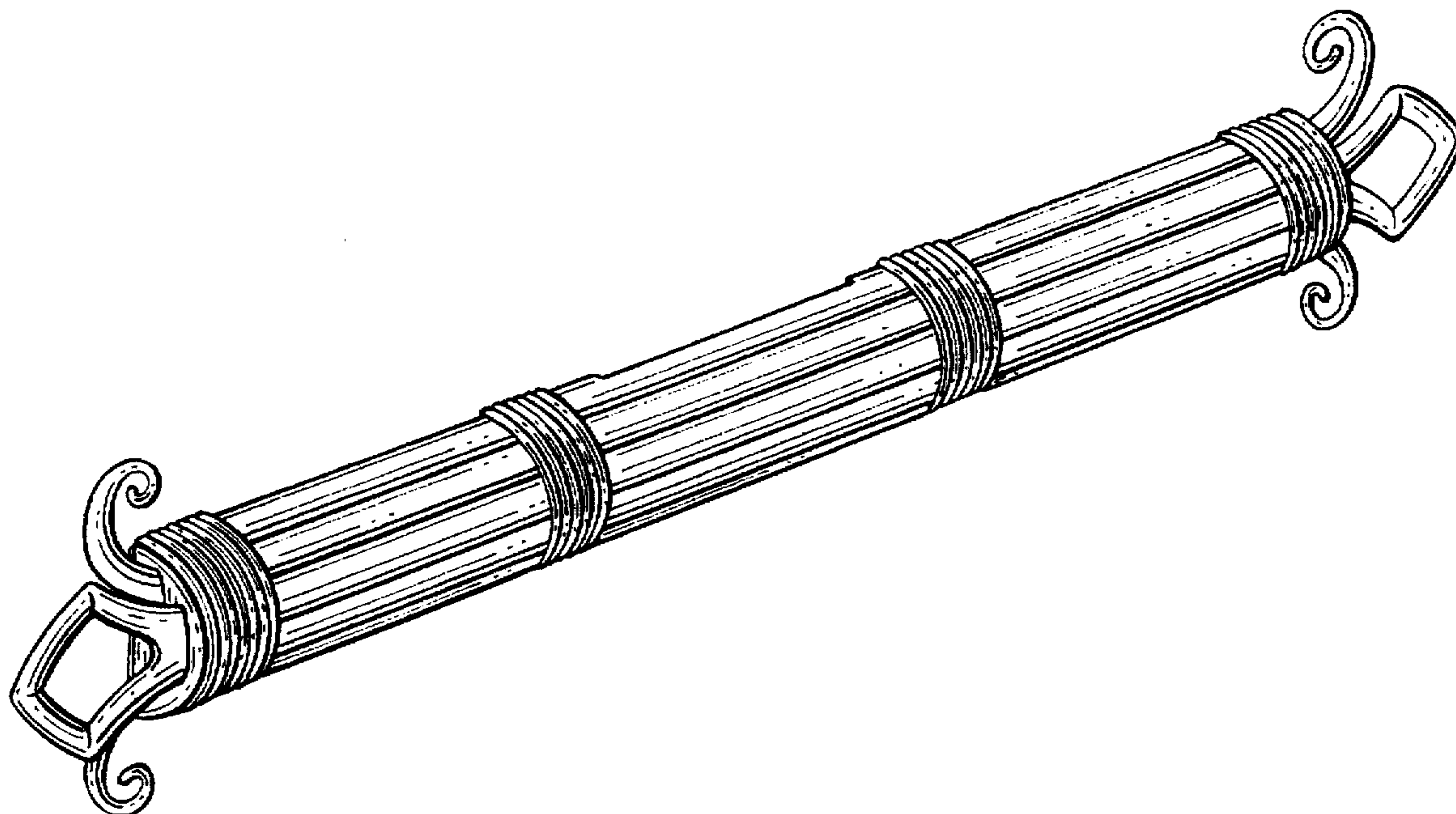
[57] **CLAIM**

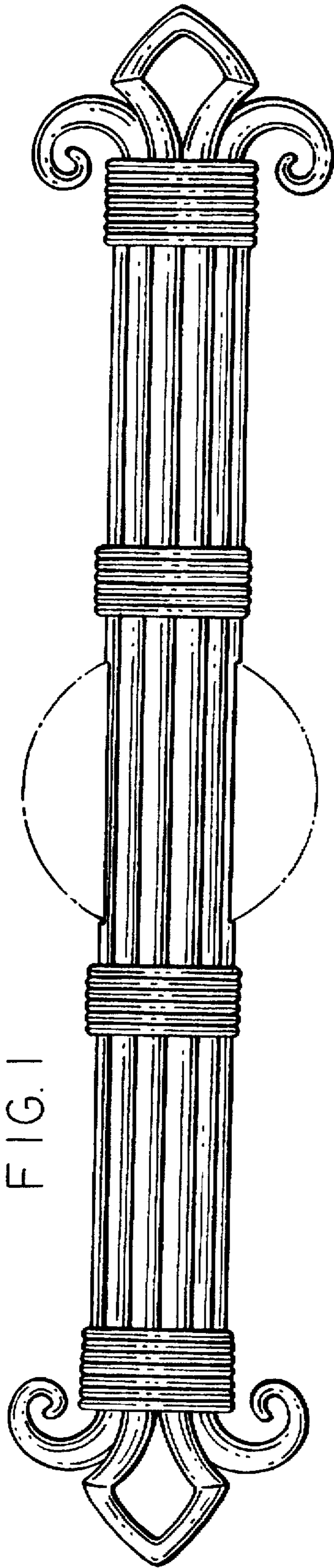
The ornamental design for a back plate for a lighting fixture, as shown and described.

DESCRIPTION

FIG. 1 is a front view;
FIG. 2 is a side view;
FIG. 3 is a bottom view; and,
FIG. 4 is a perspective view.
The broken lines are shown for illustrative purposes only and form no part of the claimed design.

1 Claim, 2 Drawing Sheets





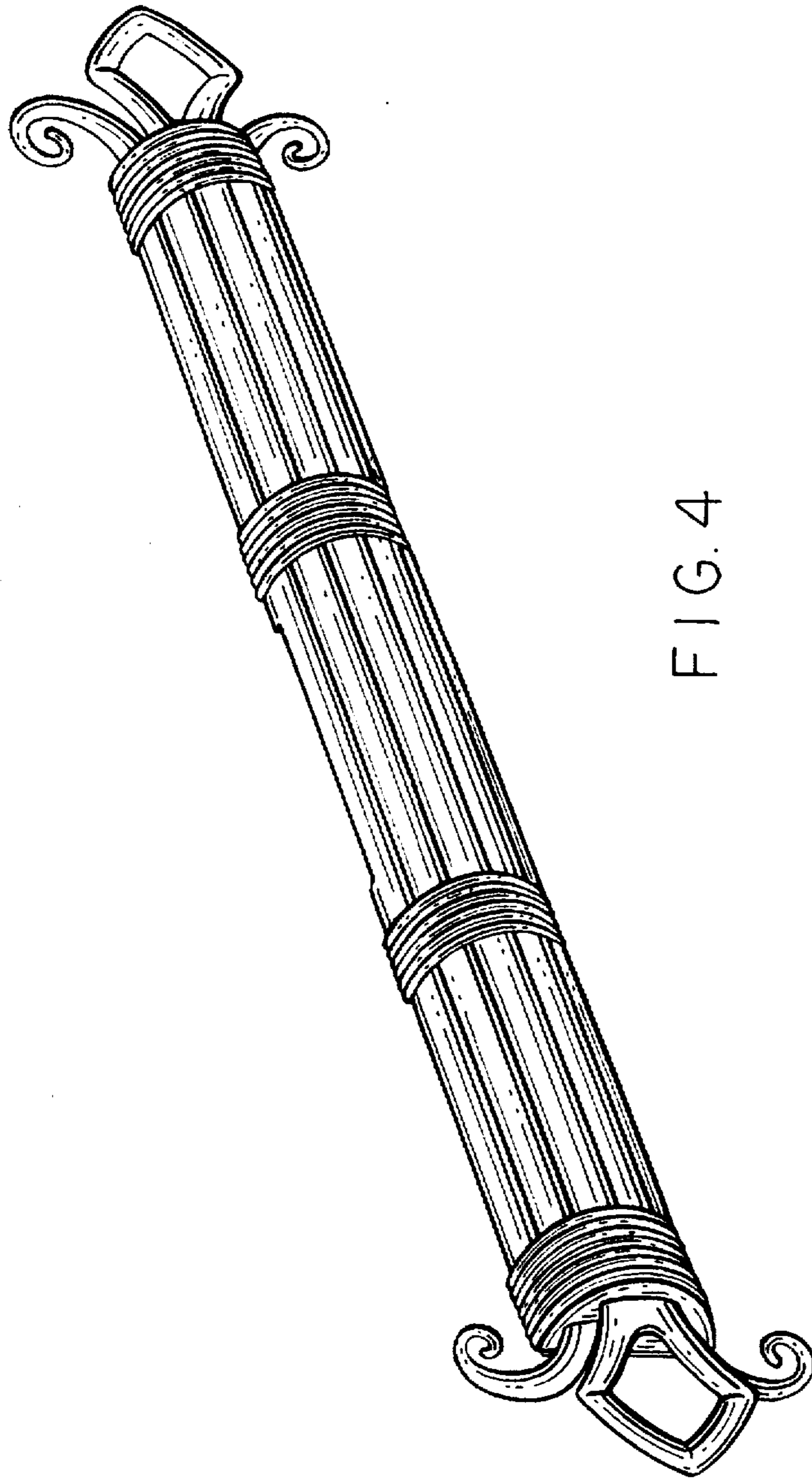


FIG. 4