



US00D396321S

United States Patent [19]
Patterson

[11] **Patent Number:** **Des. 396,321**
[45] **Date of Patent:** ****Jul. 21, 1998**

[54] **LIGHT FIXTURE HOLDING APPARATUS**

[75] **Inventor:** **David Patterson, Corrales, N. Mex.**

[73] **Assignee:** **Insight Lighting, Inc., Albuquerque, N. Mex.**

[**] **Term:** **14 Years**

[21] **Appl. No.:** **76,556**

[22] **Filed:** **Sep. 10, 1997**

[51] **LOC (6) Cl.** **26-99**

[52] **U.S. Cl.** **D26/140; D26/63**

[58] **Field of Search** **D26/60, 61, 63, D26/65, 138, 140; 362/147, 269, 275, 287, 418, 419, 427, 396; 248/241, 274.1, 281.1, 289.11, 291.1, 317, 324**

[56] **References Cited**

U.S. PATENT DOCUMENTS

D. 358,225 5/1995 Lin D26/63
5,260,860 11/1993 Jordan et al. 362/396 X

OTHER PUBLICATIONS

Abitare magazine, p. 60, spotlight support, Dec. 1988.

Primary Examiner—Susan J. Lucas
Attorney, Agent, or Firm—Ray R. Regan

[57] **CLAIM**

The ornamental design for light fixture holding apparatus, as shown and described.

DESCRIPTION

FIG. 1 is a perspective view of the invention showing the new design in an operational environment;

FIG. 2 is a front orthogonal elevational view of the invention shown in FIG. 1;

FIG. 3 is a right side orthogonal elevational view of the invention shown in FIG. 1;

FIG. 4 is a left side orthogonal elevational view of the invention shown in FIG. 1;

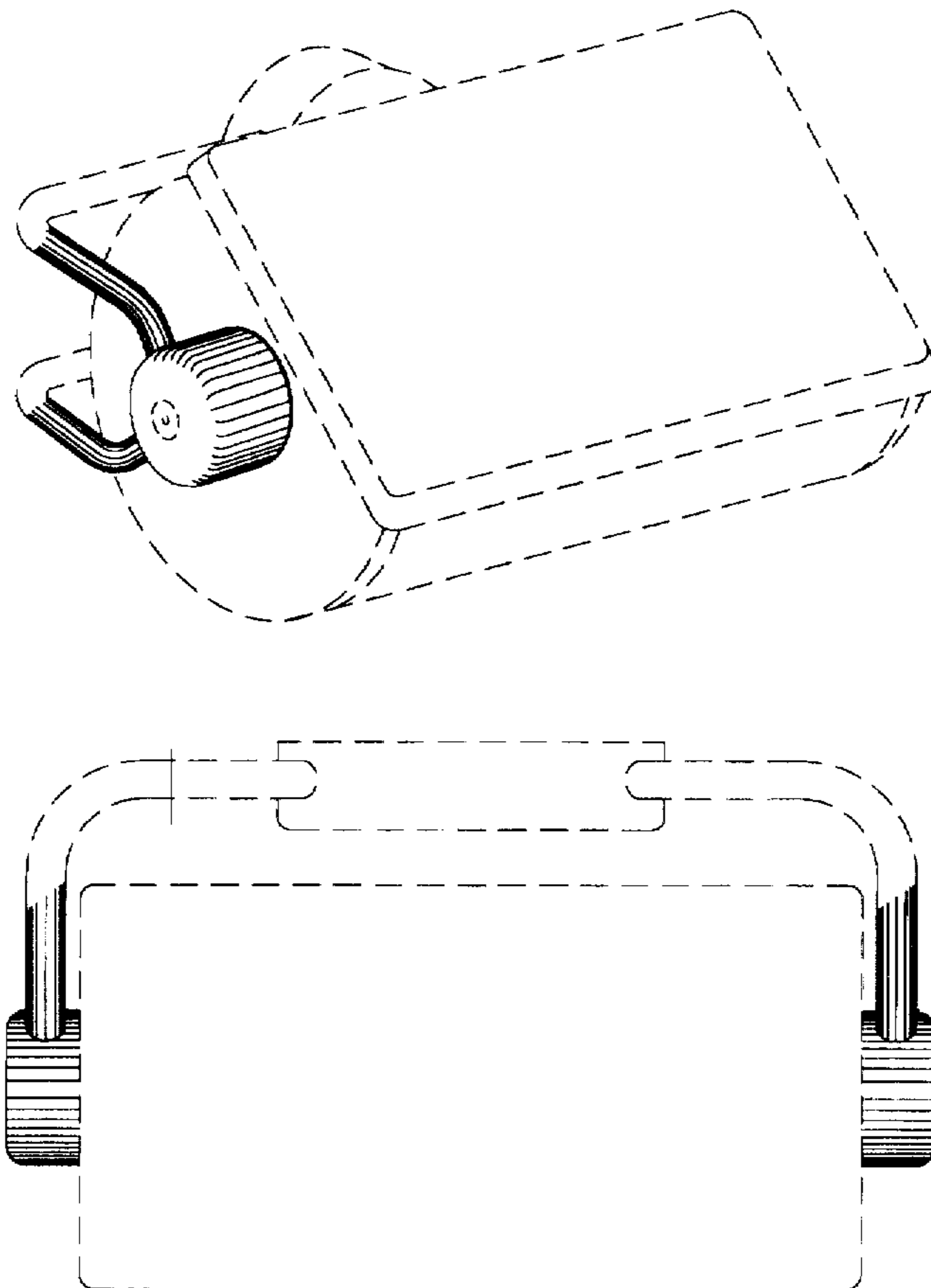
FIG. 5 is a top orthogonal elevational view of the invention shown in FIG. 1;

FIG. 6 is a rear orthogonal elevational view of the invention shown in FIG. 1; and,

FIG. 7 is a bottom orthogonal elevational view of the invention shown in FIG. 1.

Features shown by broken lines are for illustrative purposes only, and are not claimed as part of the invention.

1 Claim, 7 Drawing Sheets



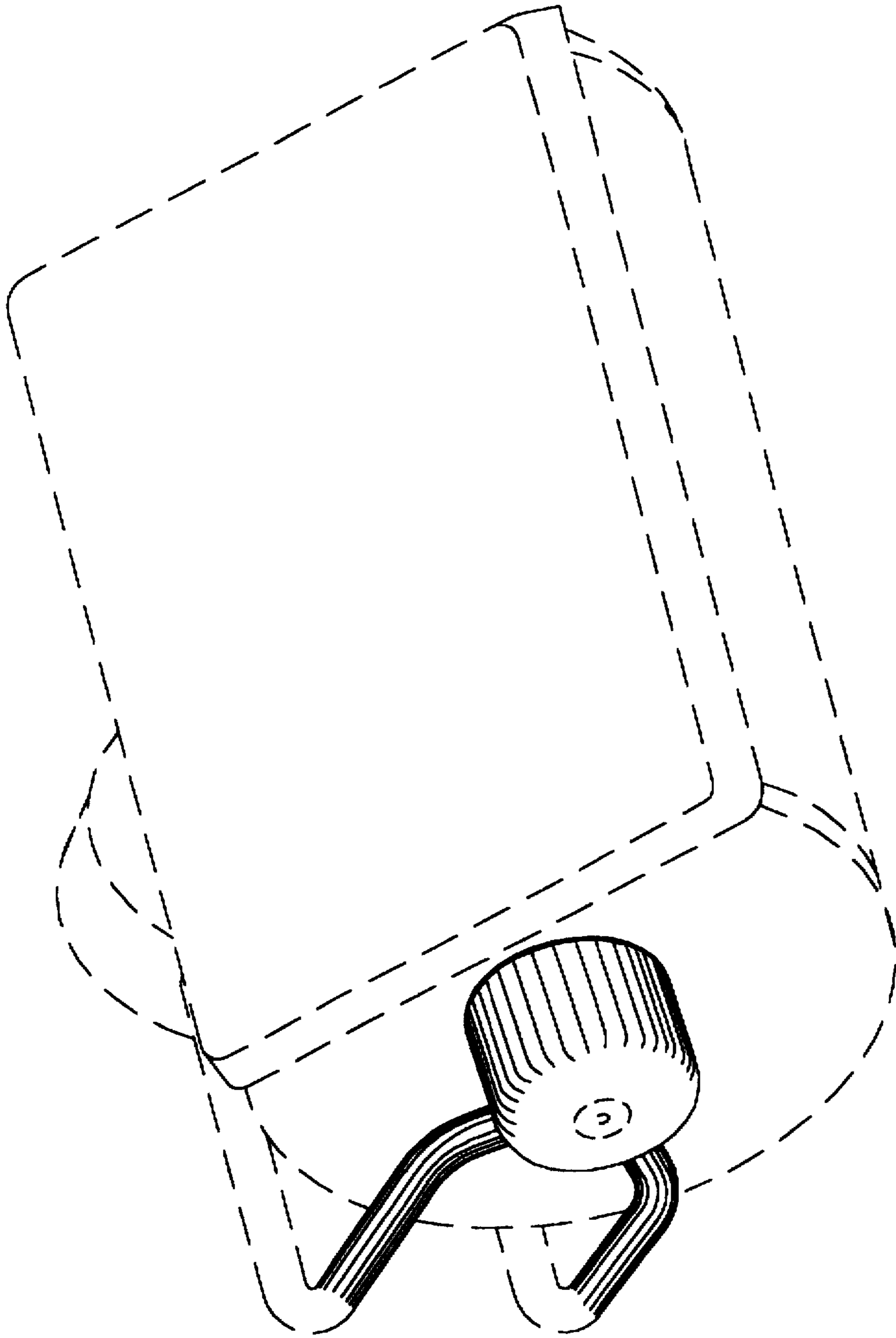


Fig. 1



Fig. 2

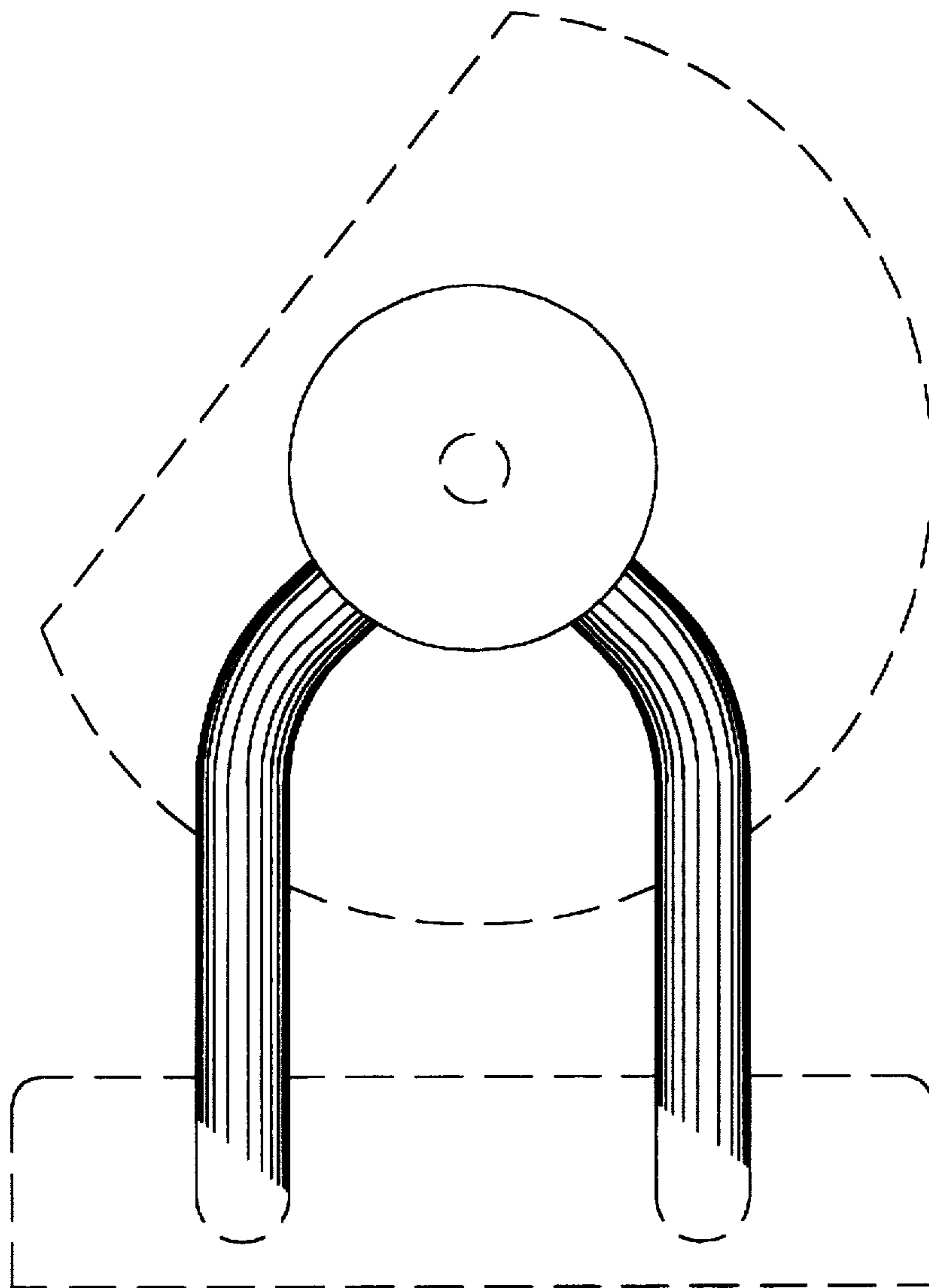


Fig. 3

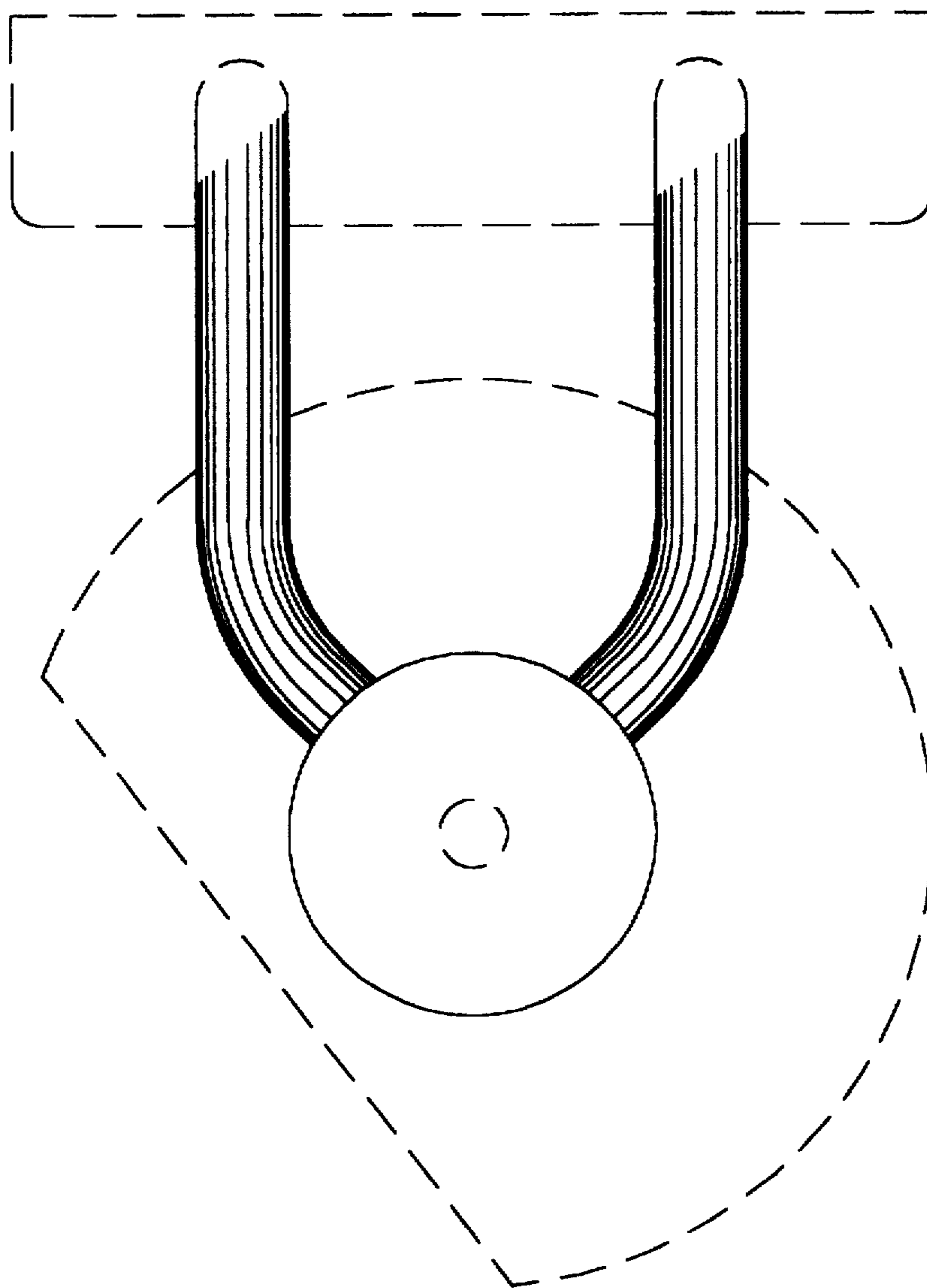


Fig. 4

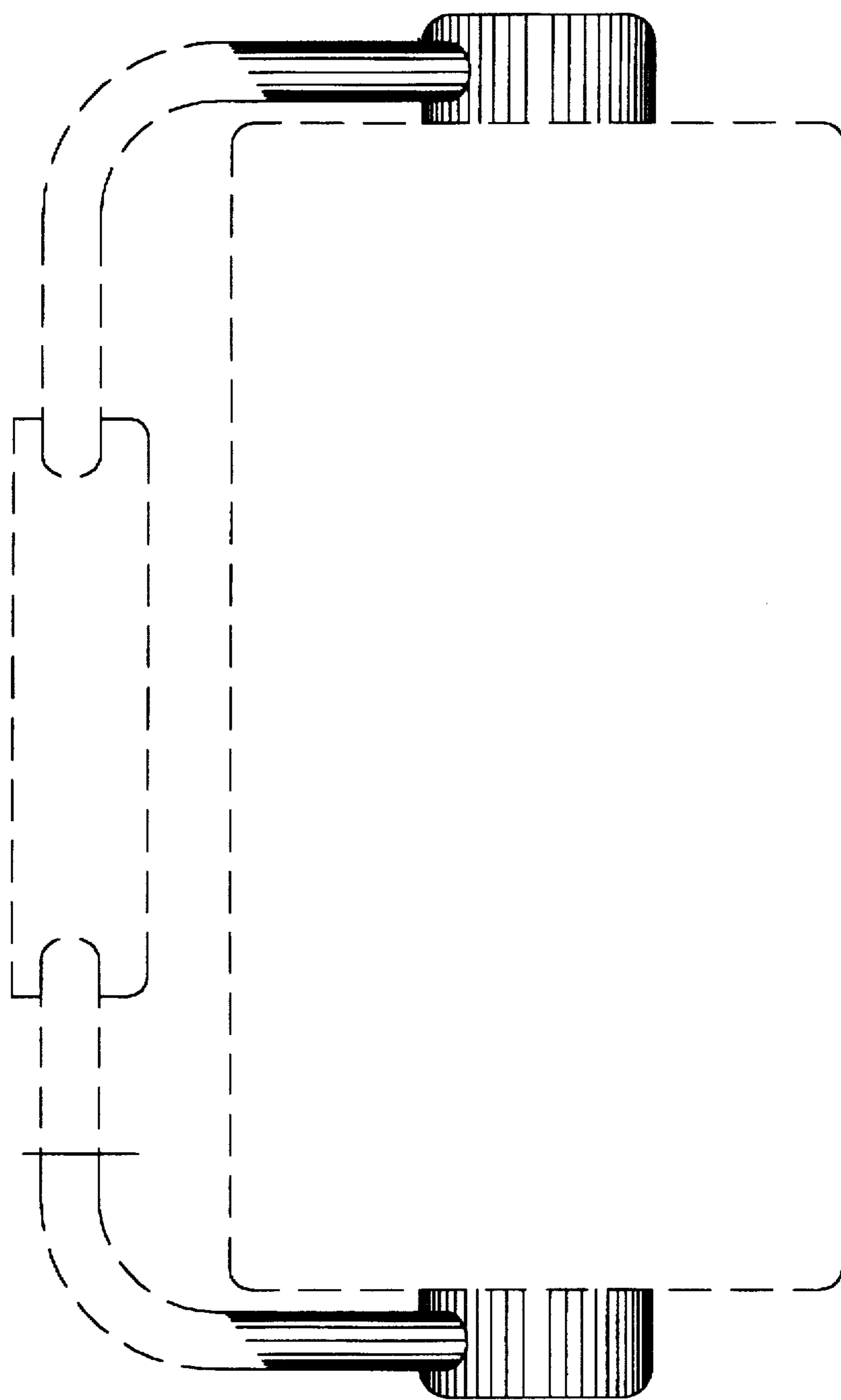


Fig. 5

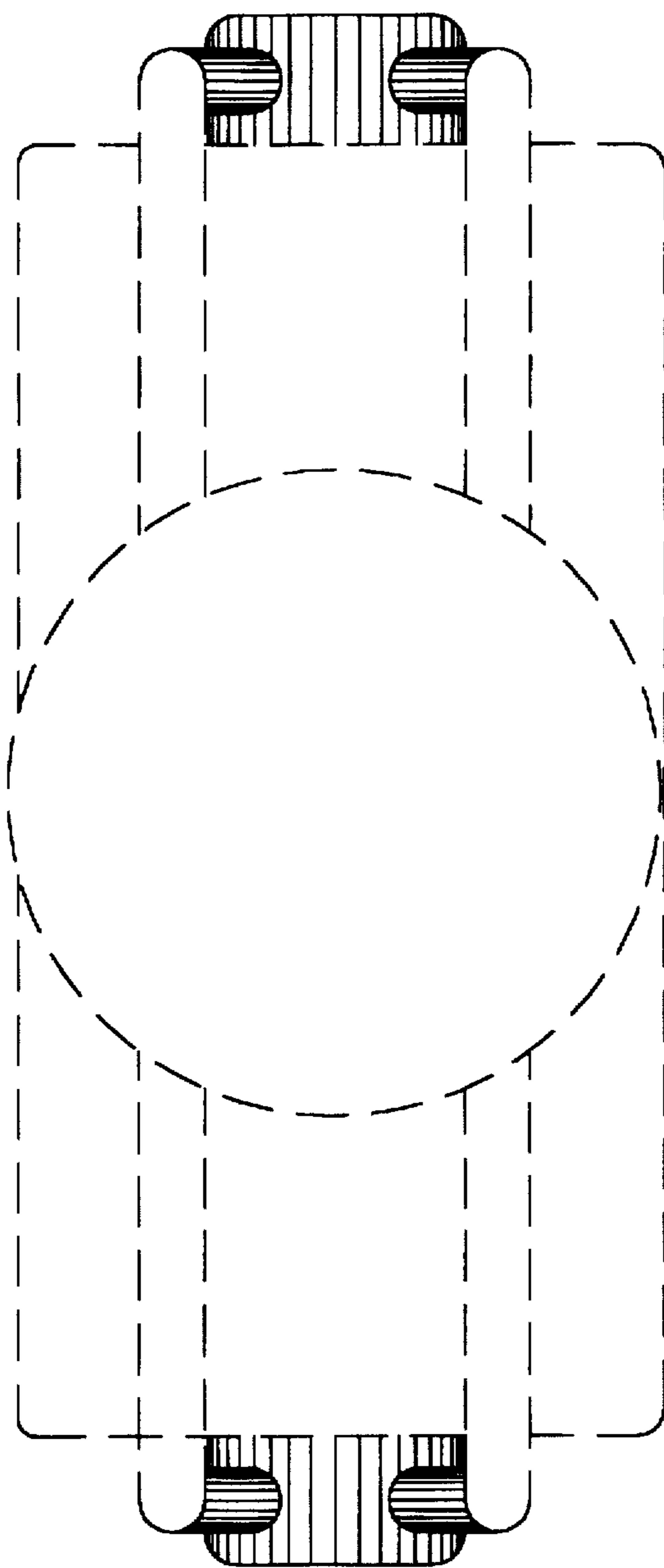


Fig. 6

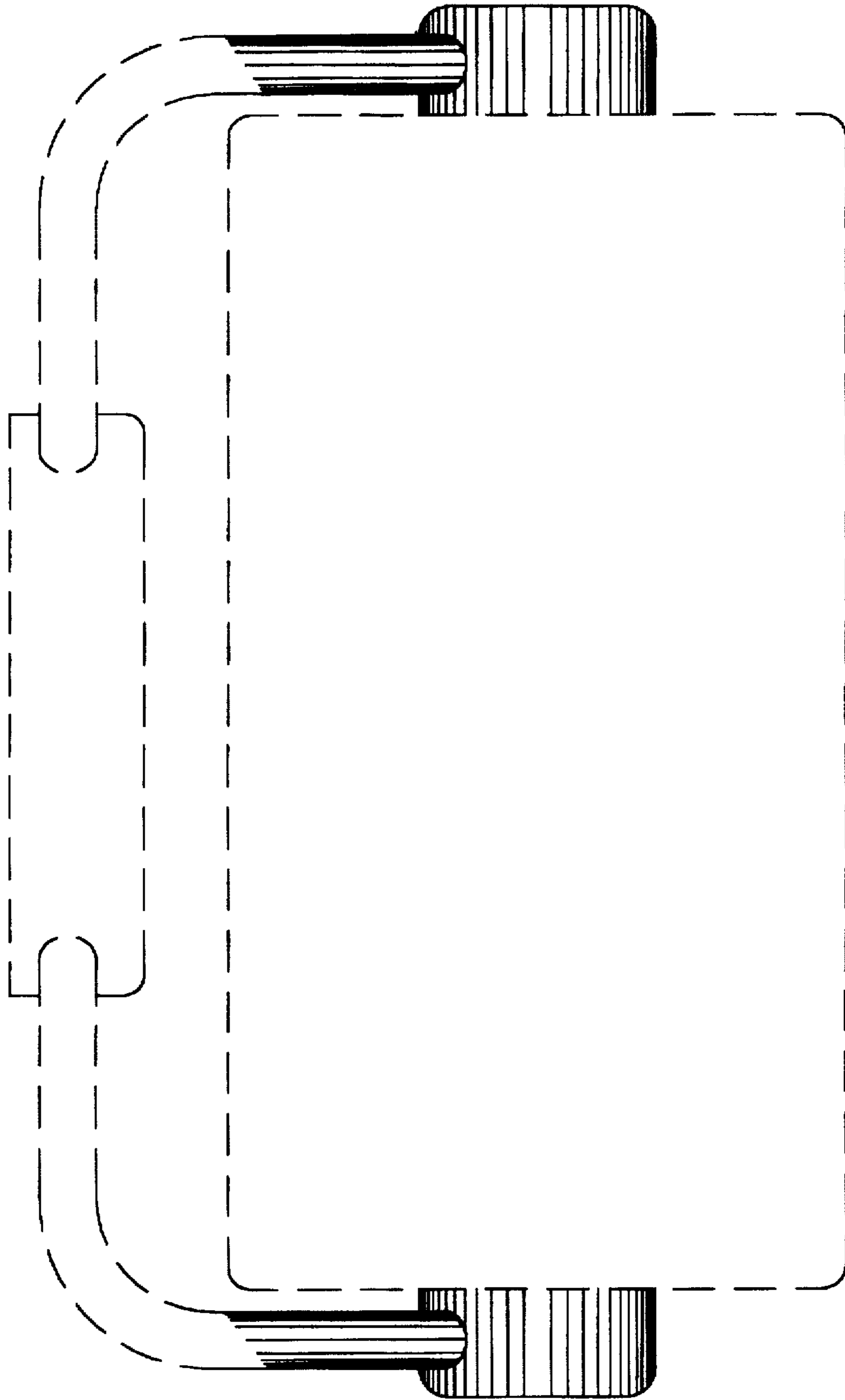


Fig. 7