



US00D396320S

**United States Patent** [19]  
**Patterson**

[11] **Patent Number:** **Des. 396,320**

[45] **Date of Patent:** **\*\*Jul. 21, 1998**

[54] **LIGHT FIXTURE HOLDING APPARATUS**

*Attorney, Agent, or Firm*—Ray R. Regan

[75] **Inventor:** **David Patterson**, Corrales, N. Mex.

[57] **CLAIM**

[73] **Assignee:** **Insight Lighting, Inc.**, Albuquerque, N. Mex.

The ornamental design for light fixture holding apparatus, as shown and described.

[\*\*] **Term:** **14 Years**

**DESCRIPTION**

[21] **Appl. No.:** **76,555**

FIG. 1 is a perspective view of the invention showing the new design in an operational environment;

[22] **Filed:** **Sep. 10, 1997**

FIG. 2 is a front orthogonal elevational view of the invention shown in FIG. 1;

[51] **LOC (6) Cl.** ..... **26-99**

[52] **U.S. Cl.** ..... **D26/140; D26/63**

FIG. 3 is a right side orthogonal elevational view of the invention shown in FIG. 1;

[58] **Field of Search** ..... D26/60, 61, 63, D26/65, 138, 140; 362/147, 269, 277, 285, 418, 419, 427, 396; 248/241, 274.1, 281.1, 289.11, 291.1, 317, 324

FIG. 4 is a left side orthogonal elevational view of the invention shown in FIG. 1;

[56] **References Cited**

**U.S. PATENT DOCUMENTS**

D. 358,225 5/1995 Lin ..... D26/63  
5,260,860 11/1993 Jordan et al. .... 362/396 X

FIG. 5 is a top orthogonal elevational view of the invention shown in FIG. 1;

FIG. 6 is a rear orthogonal elevational view of the invention shown in FIG. 1; and

**OTHER PUBLICATIONS**

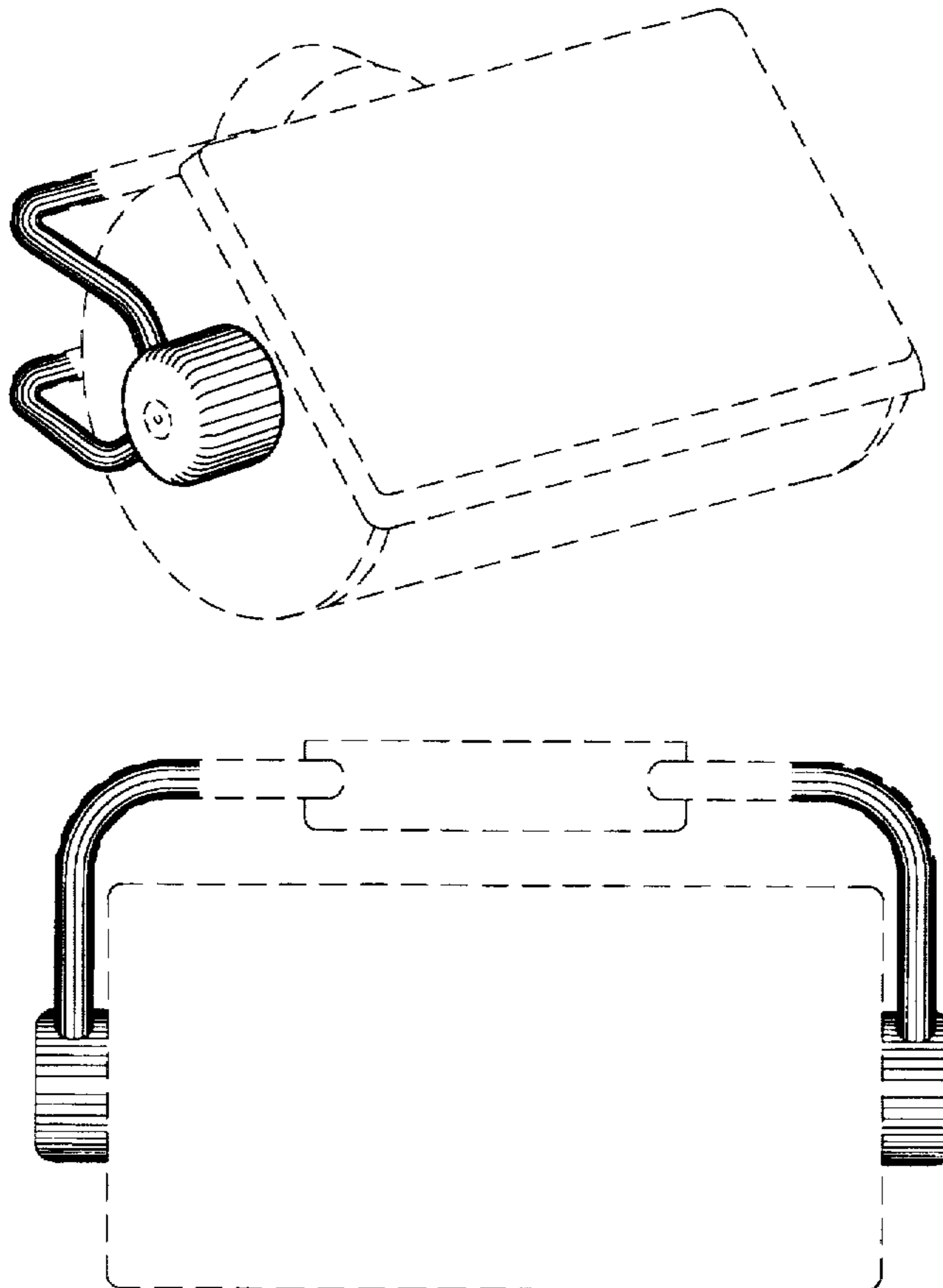
Abitare magazine, p. 60, spotlight support, spotlight box, Dec. 1988.

FIG. 7 is a bottom orthogonal elevational view of the invention shown in FIG. 1;

Features shown by broken lines are for illustrative purposes only, and are not claimed as part of the invention.

*Primary Examiner*—Susan J. Lucas

**1 Claim, 7 Drawing Sheets**



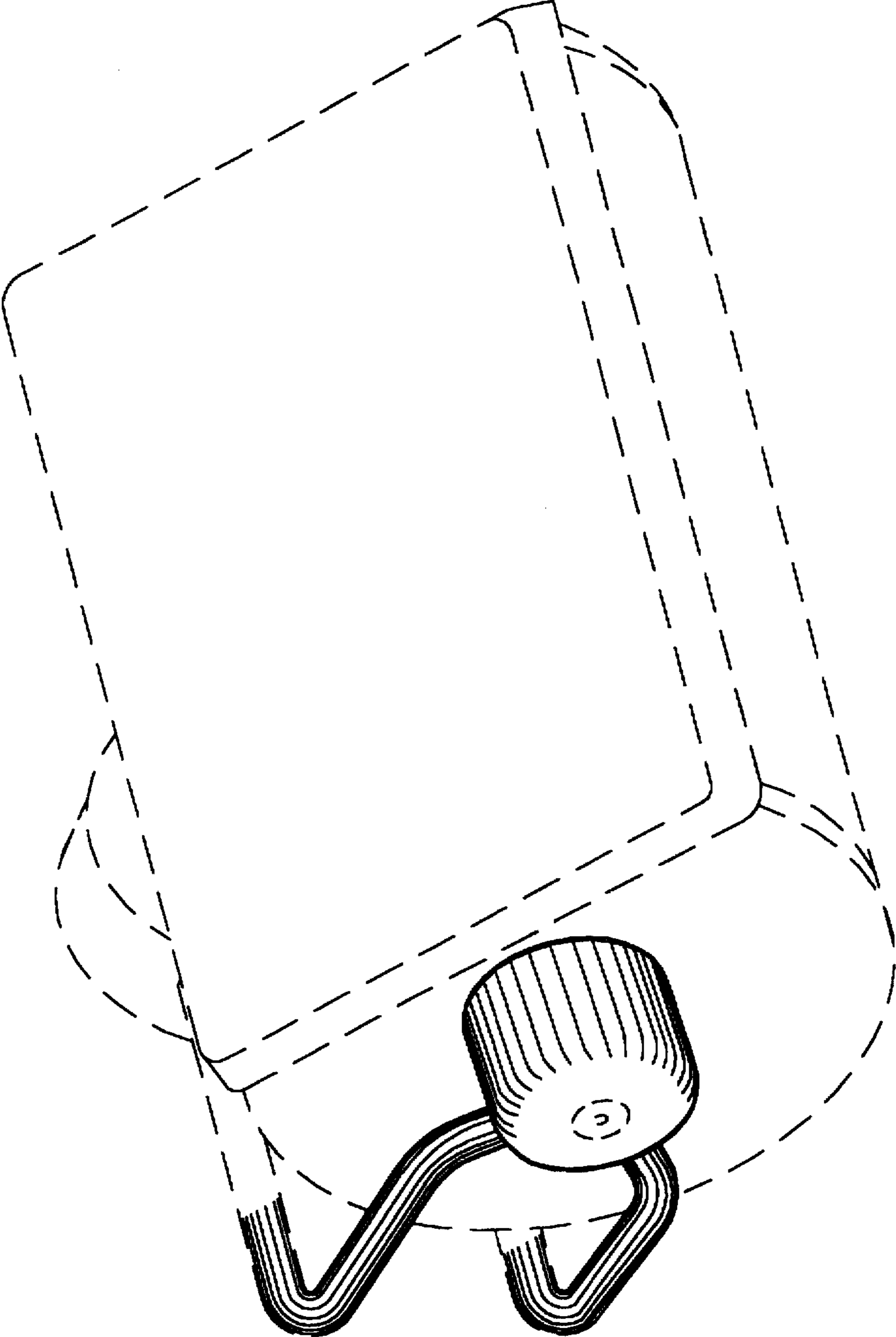


Fig. 1

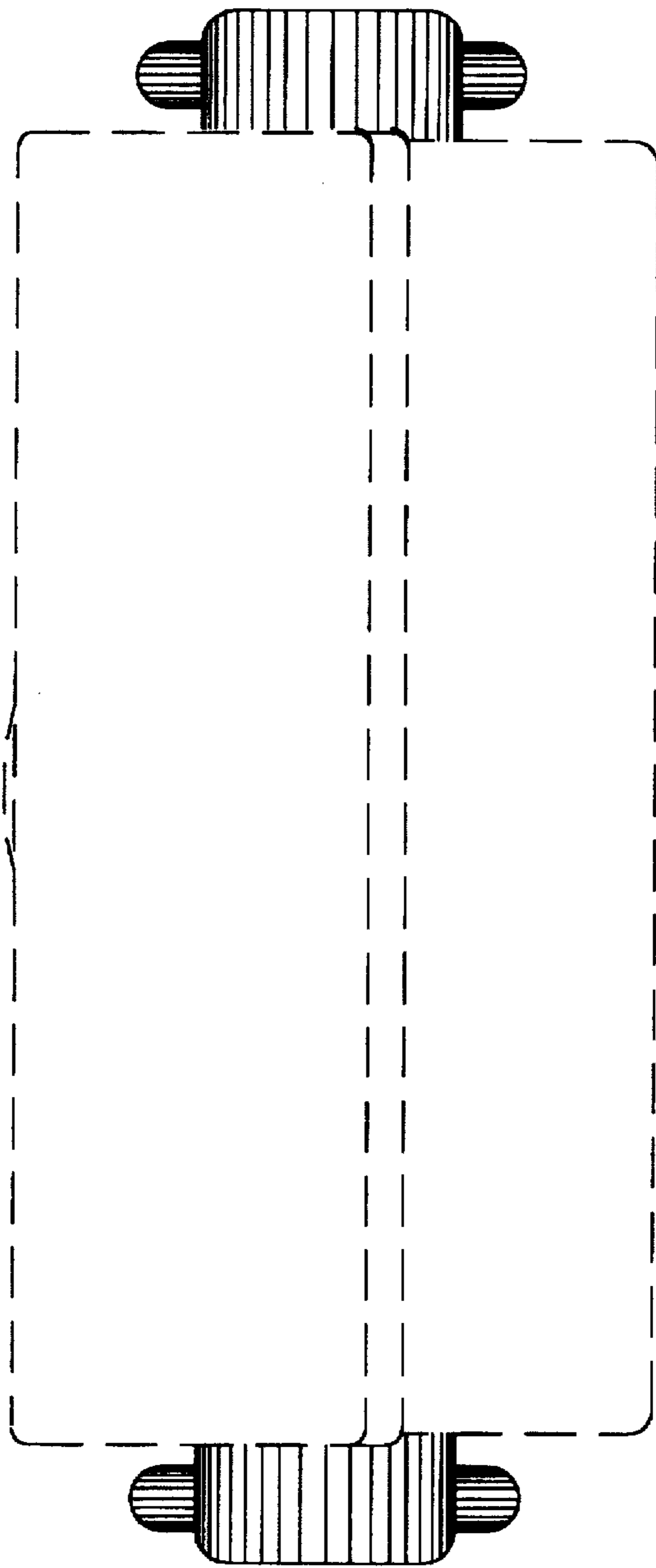


Fig. 2

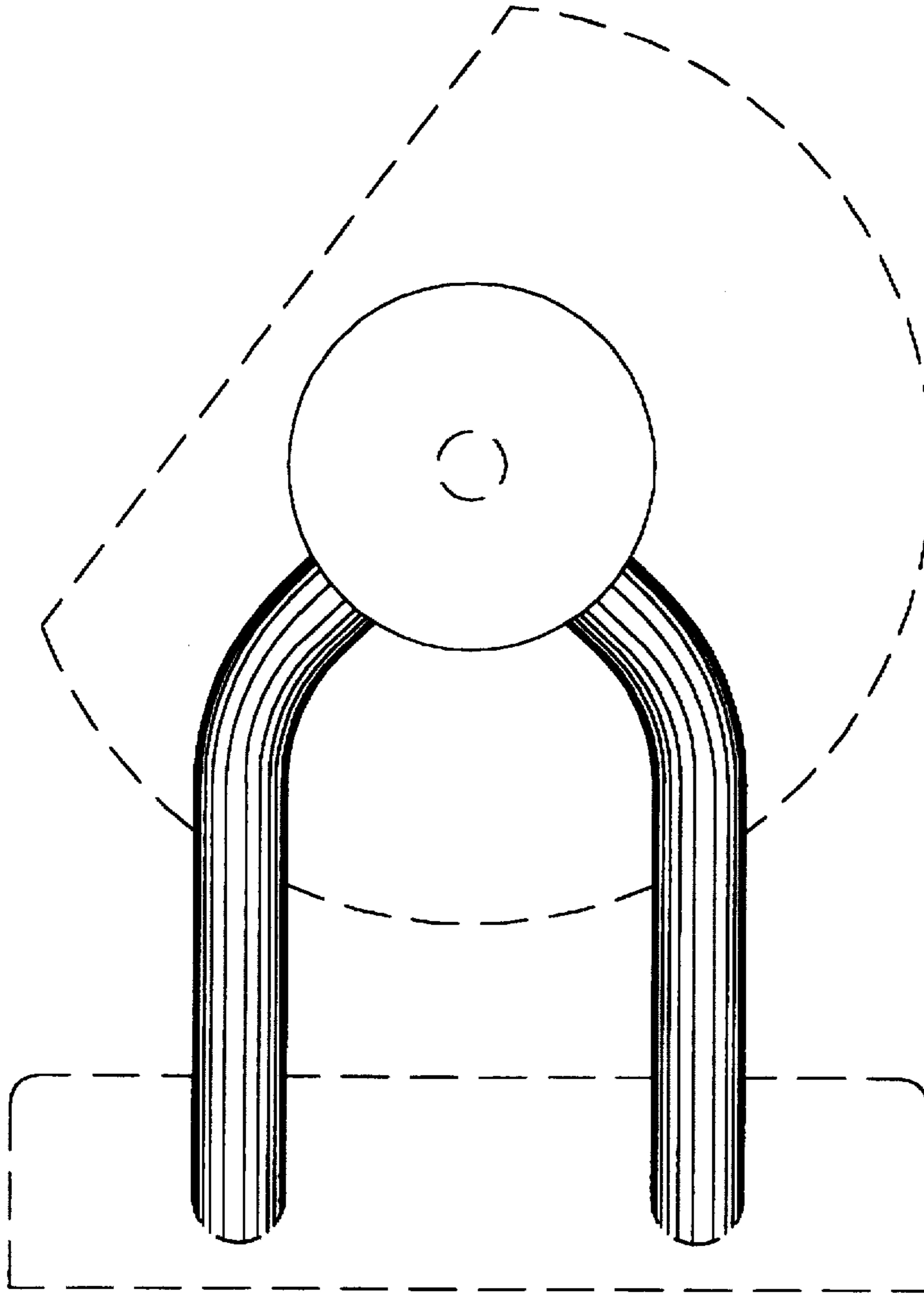


Fig. 3

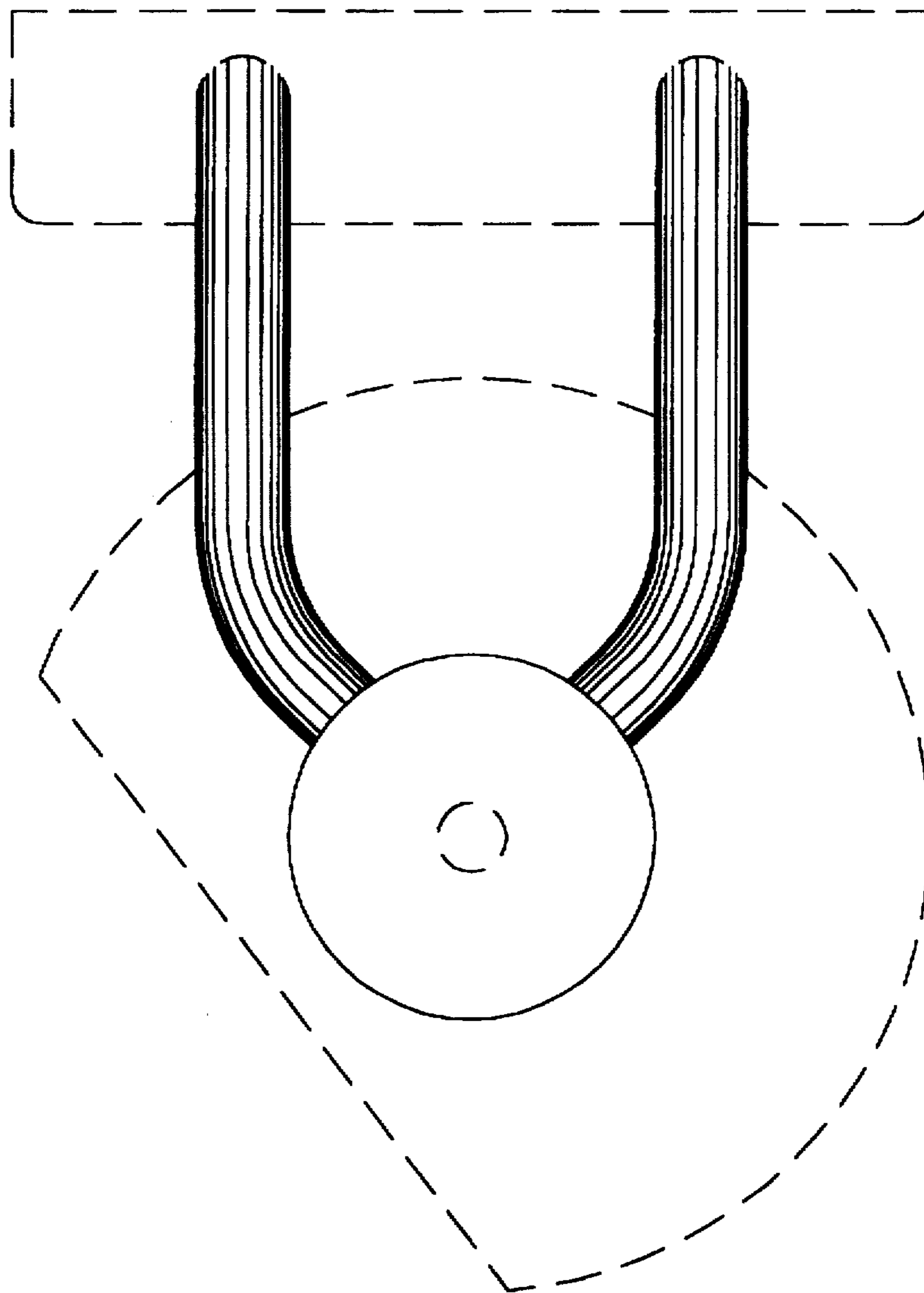


Fig. 4

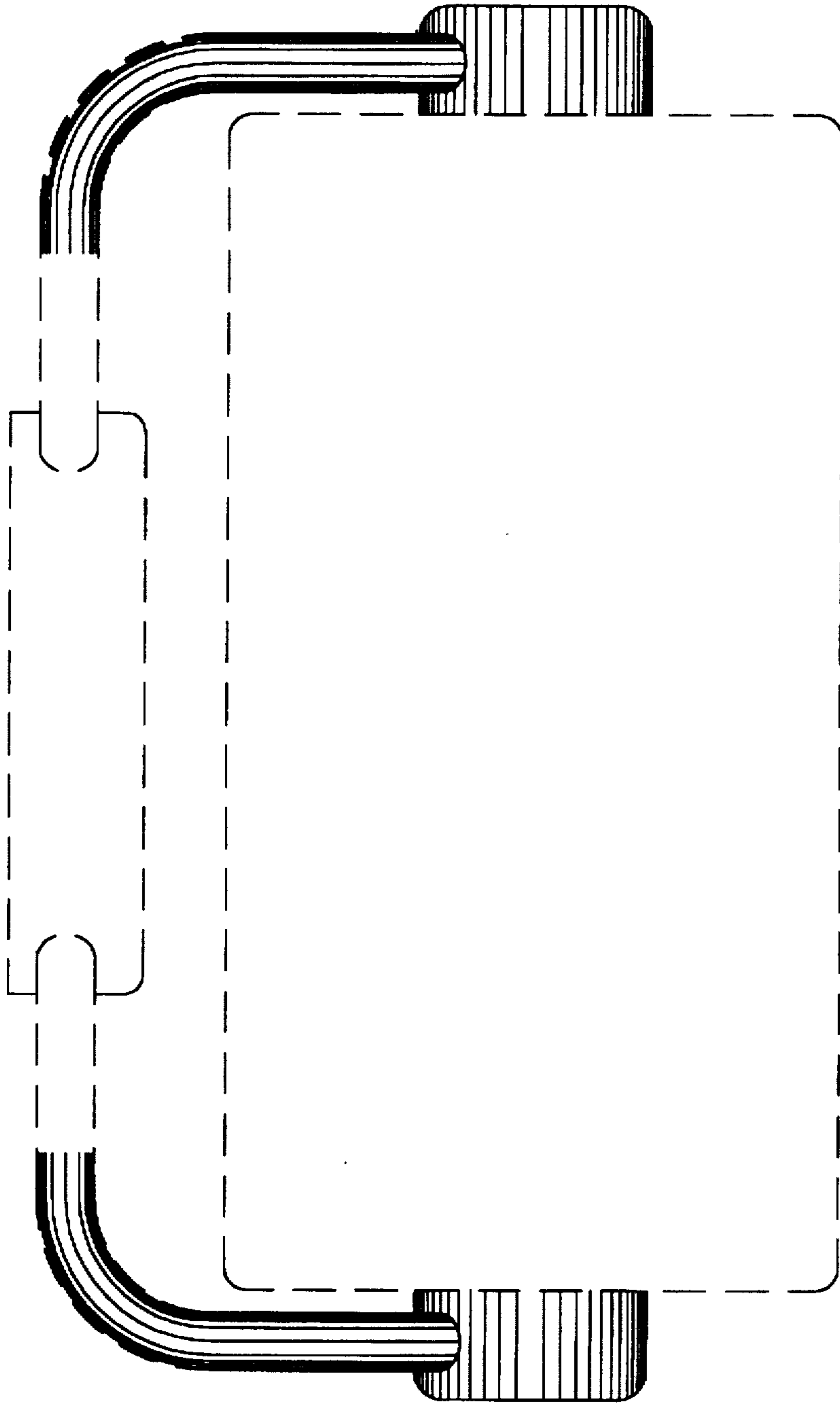


Fig. 5

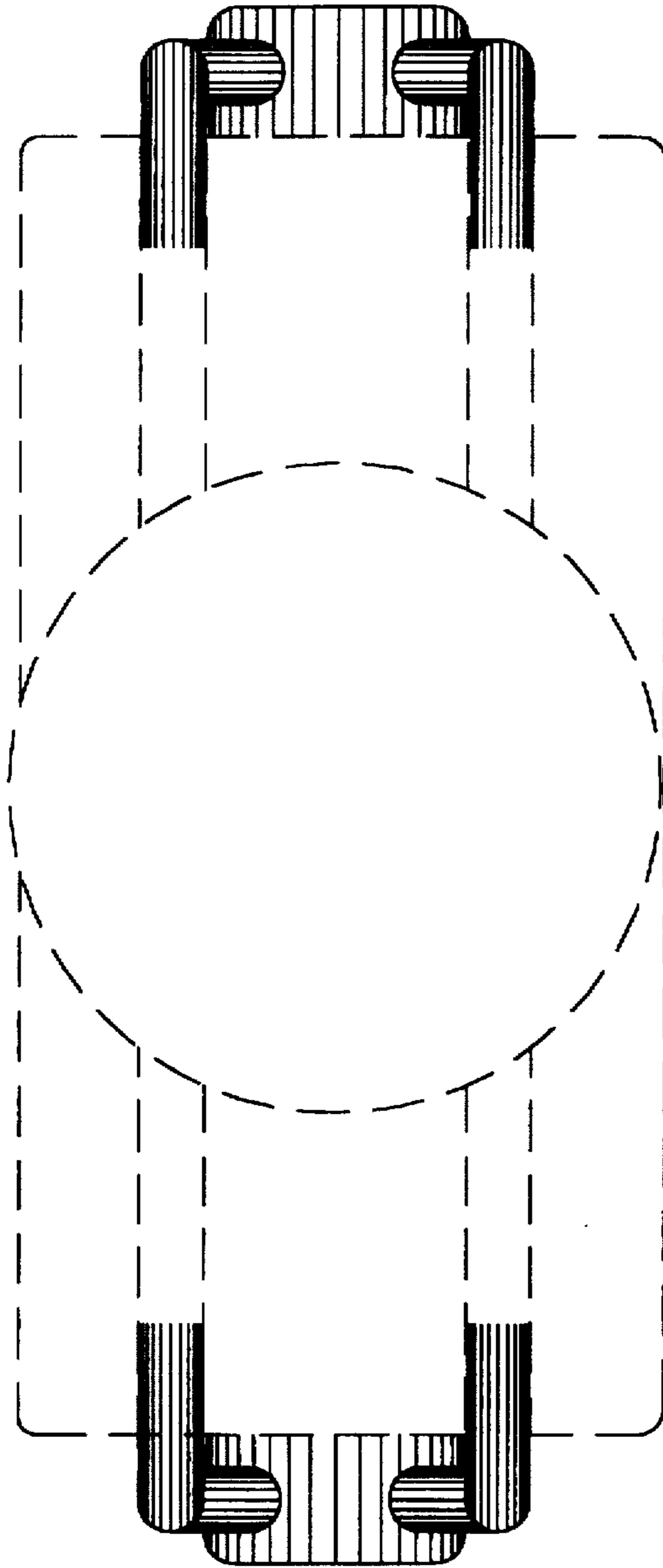


Fig. 6

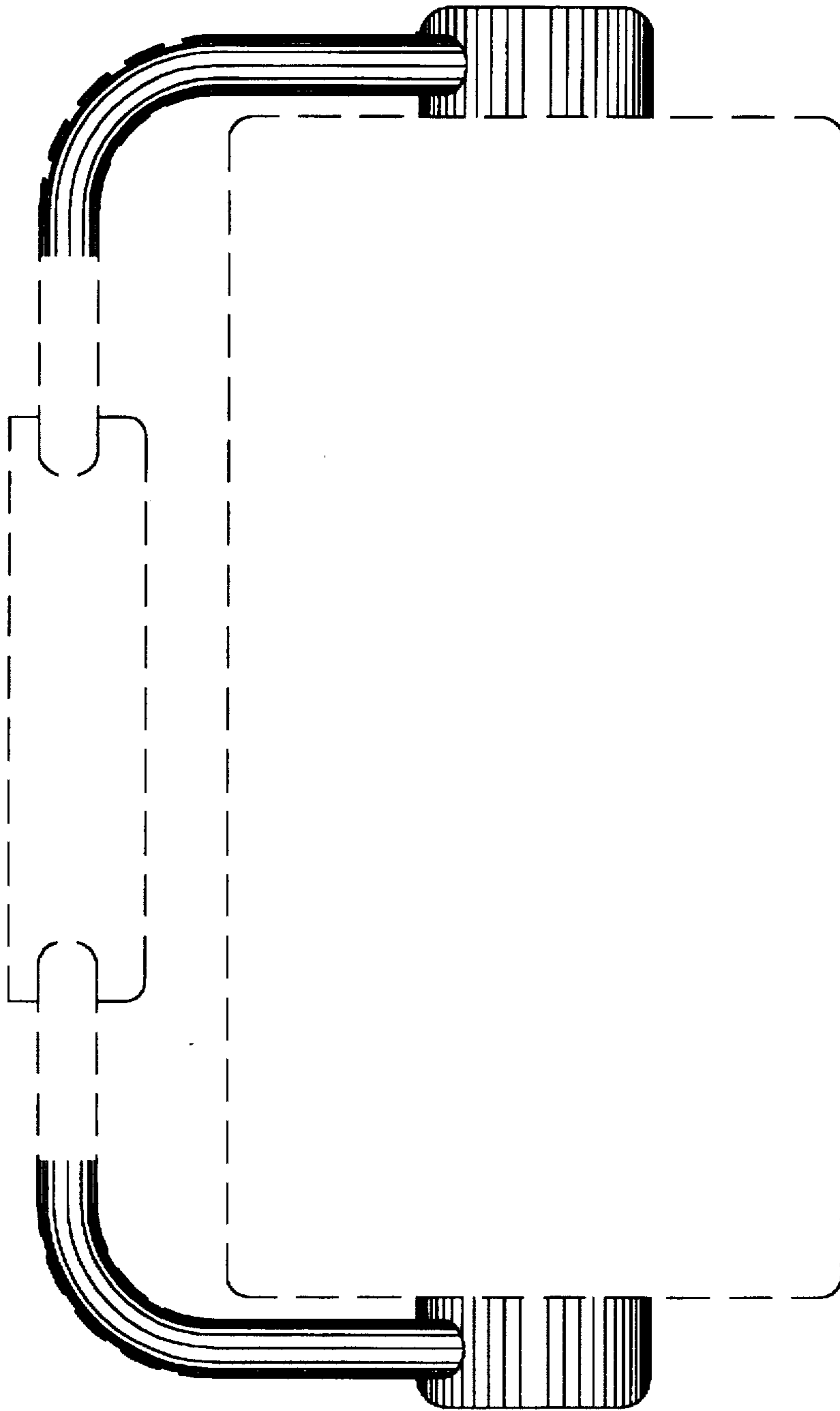


Fig. 7