



US00D396318S

United States Patent [19]
Hsu

[11] **Patent Number:** **Des. 396,318**
[45] **Date of Patent:** ****Jul. 21, 1998**

[54] **LAMP SHADE**

[76] **Inventor:** **Keen Hsu, 58, Ma Yuan West St., Taichung, Taiwan**

[**] **Term:** **14 Years**

[21] **Appl. No.:** **74,398**

[22] **Filed:** **Jul. 26, 1997**

[51] **LOC (6) Cl.** **26-05**

[52] **U.S. Cl.** **D26/127; D26/133**

[58] **Field of Search** **D26/128-136, D26/127; 362/326, 327, 329, 331, 333, 334, 337, 338, 339, 340, 351, 352, 355, 356; D9/526, 530, 560, 561, 563, 564, 567, 559, 576**

[56] **References Cited**

U.S. PATENT DOCUMENTS

D. 42,718 7/1912 Strong D26/127

OTHER PUBLICATIONS

Elgee lighting catalog, p. 68, ceiling lamp, #977-AB, top, right, 1991.

Gillinder & Sons, Inc., lighting glassware catalog, #20, p. 17, Persian bowl #09371, Aug. 1913.

Lancaster Glass Co. lighting catalog, p. 23, wall shade, 1986.

Primary Examiner—Susan J. Lucas

[57] **CLAIM**

The ornamental design for a lamp shade, as shown and described.

DESCRIPTION

FIG. 1 is a perspective view of lamp shade showing my new design;

FIG. 2 is a front elevational view thereof;

FIG. 3 is a rear elevational view thereof;

FIG. 4 is a left side elevational view thereof;

FIG. 5 is a right side elevational view thereof;

FIG. 6 is a top plan view thereof; and,

FIG. 7 is a bottom plan view thereof.

1 Claim, 7 Drawing Sheets



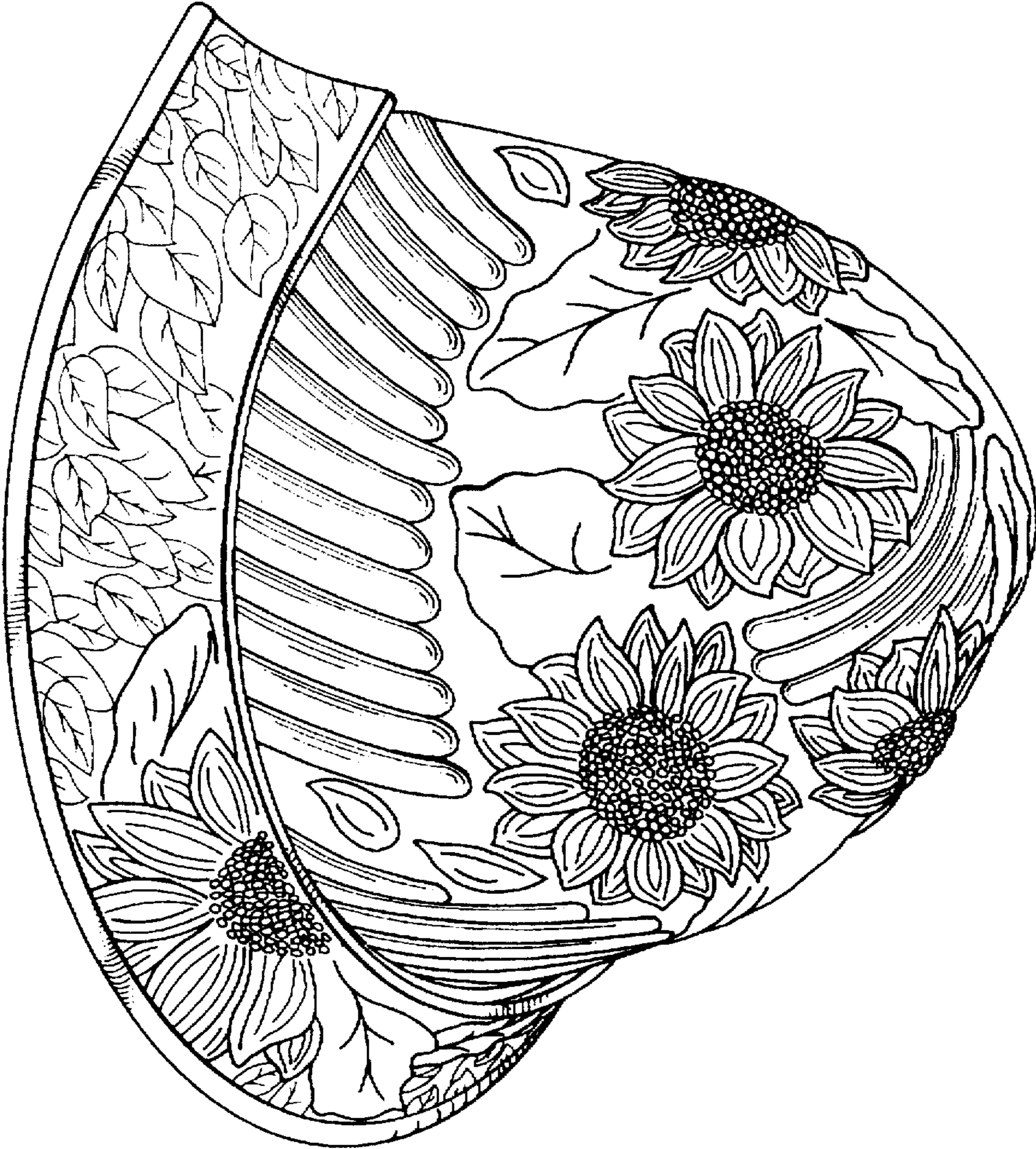


FIG. 1

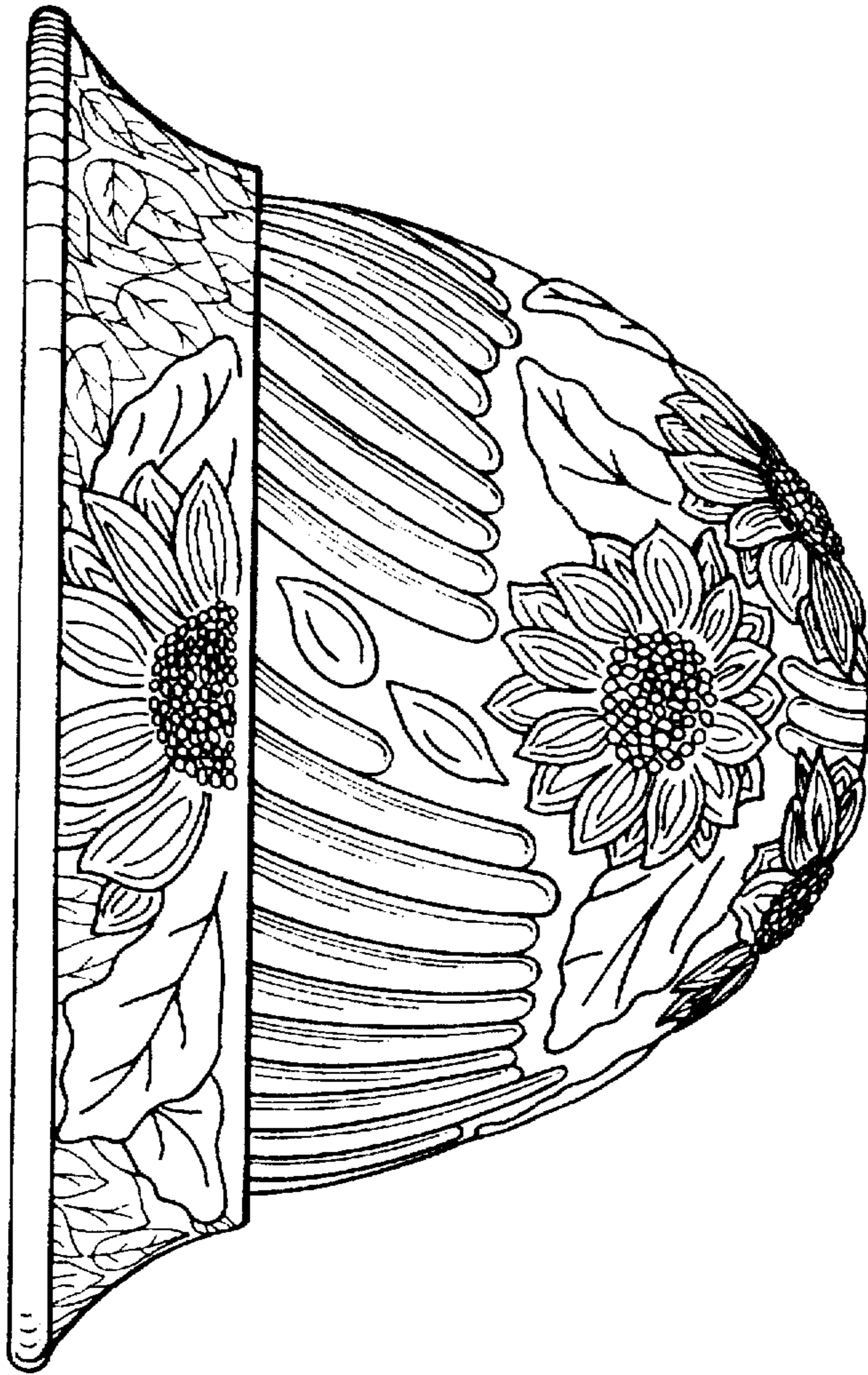


FIG. 2

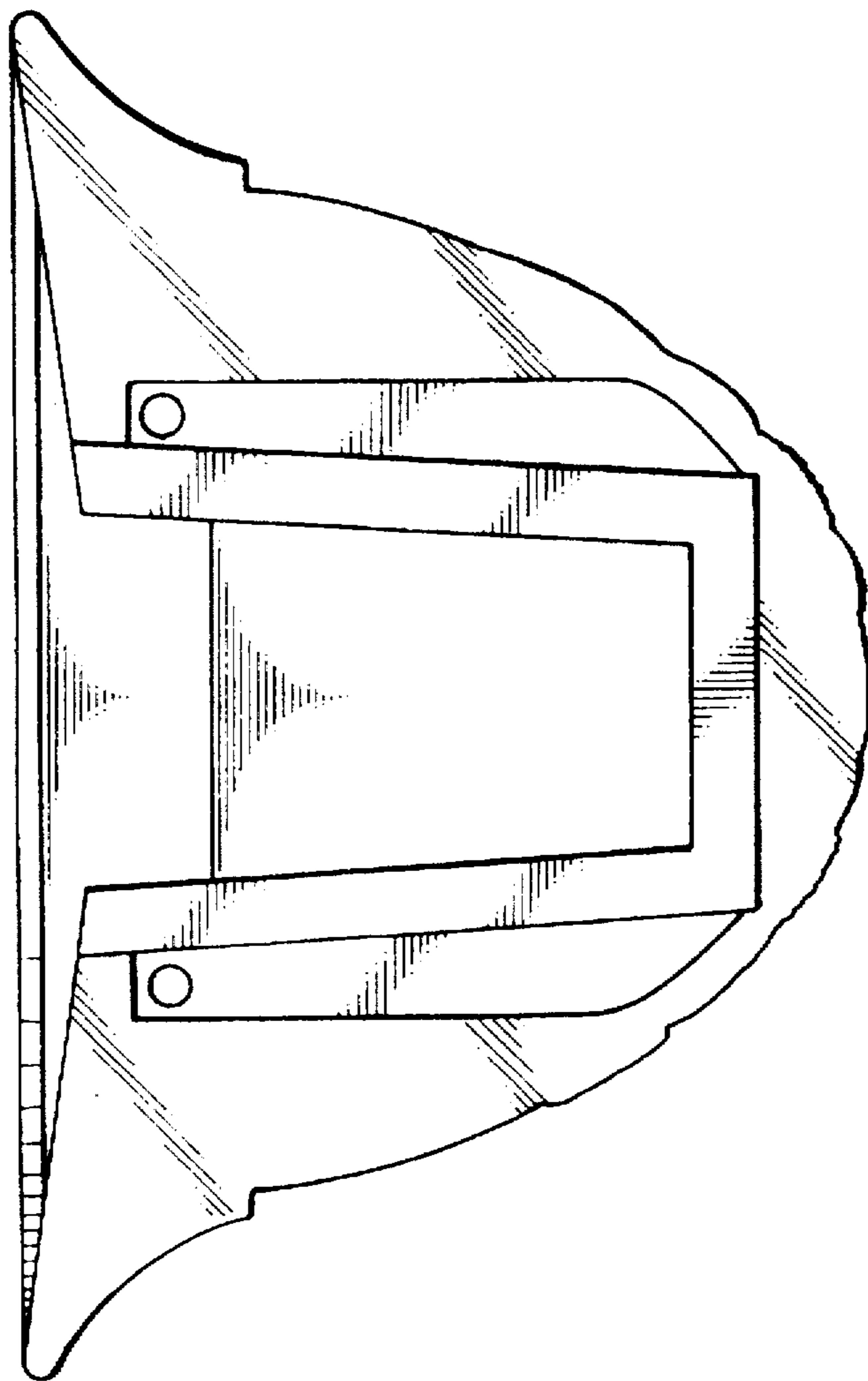


FIG. 3

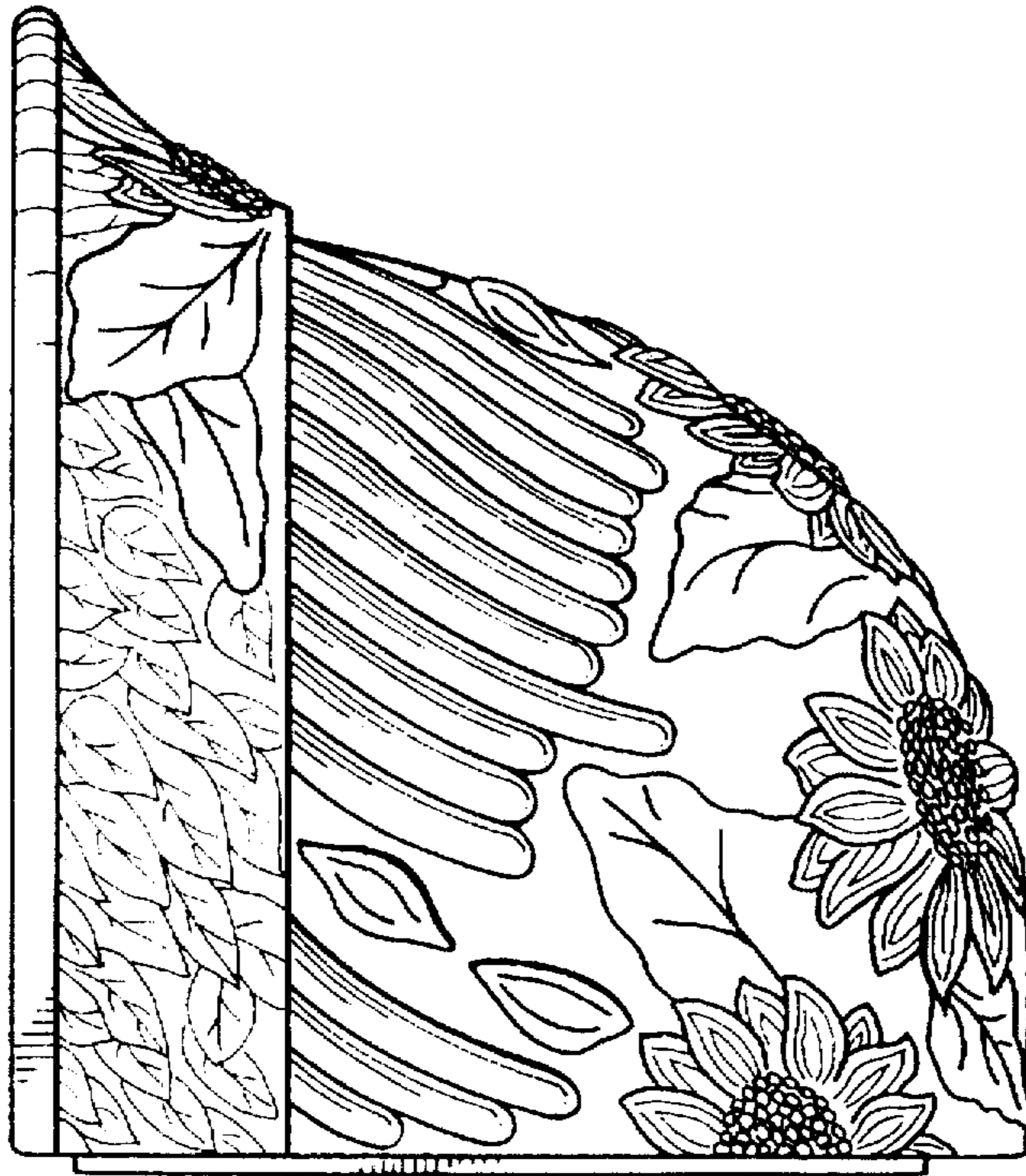


FIG. 4

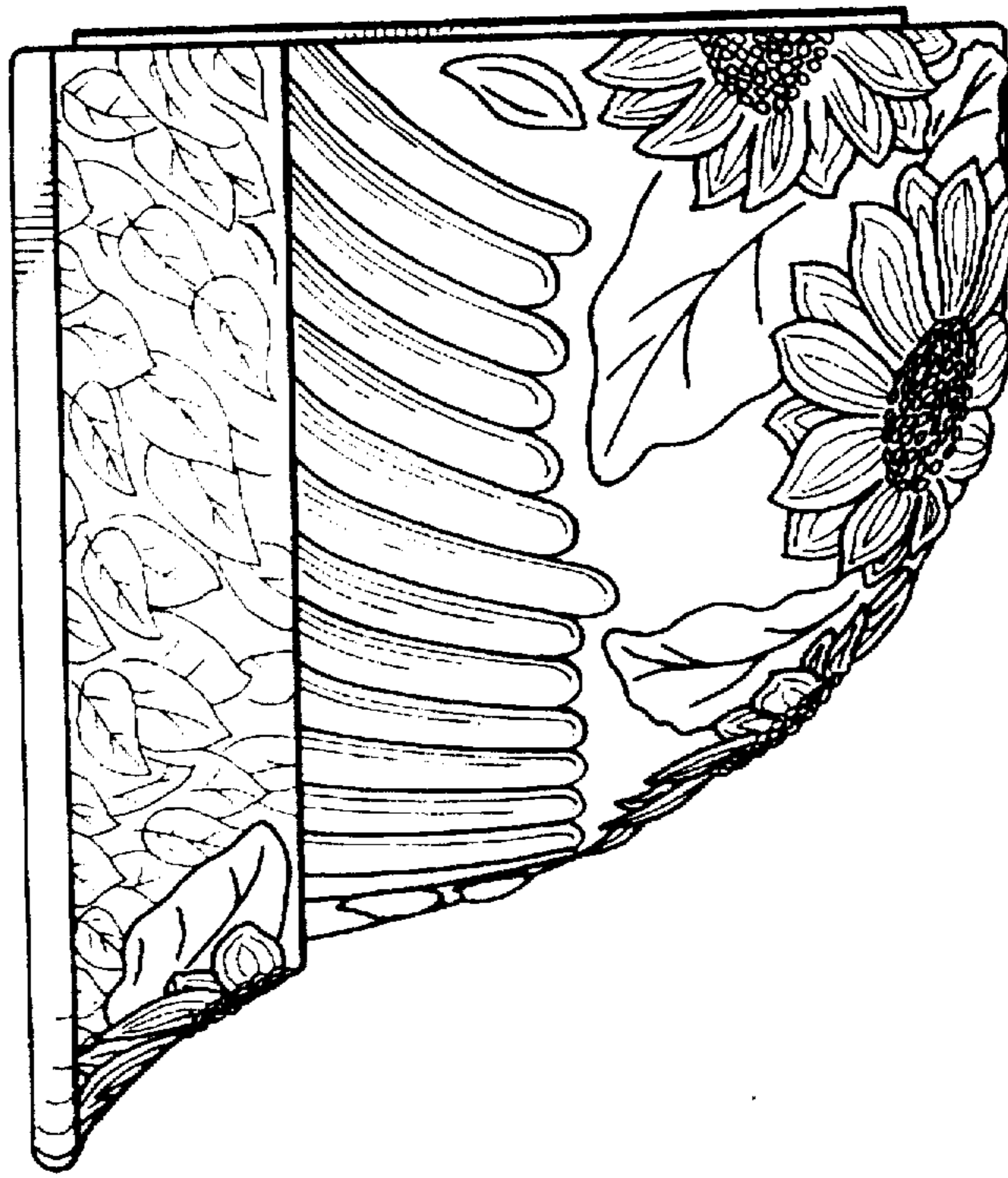


FIG. 5

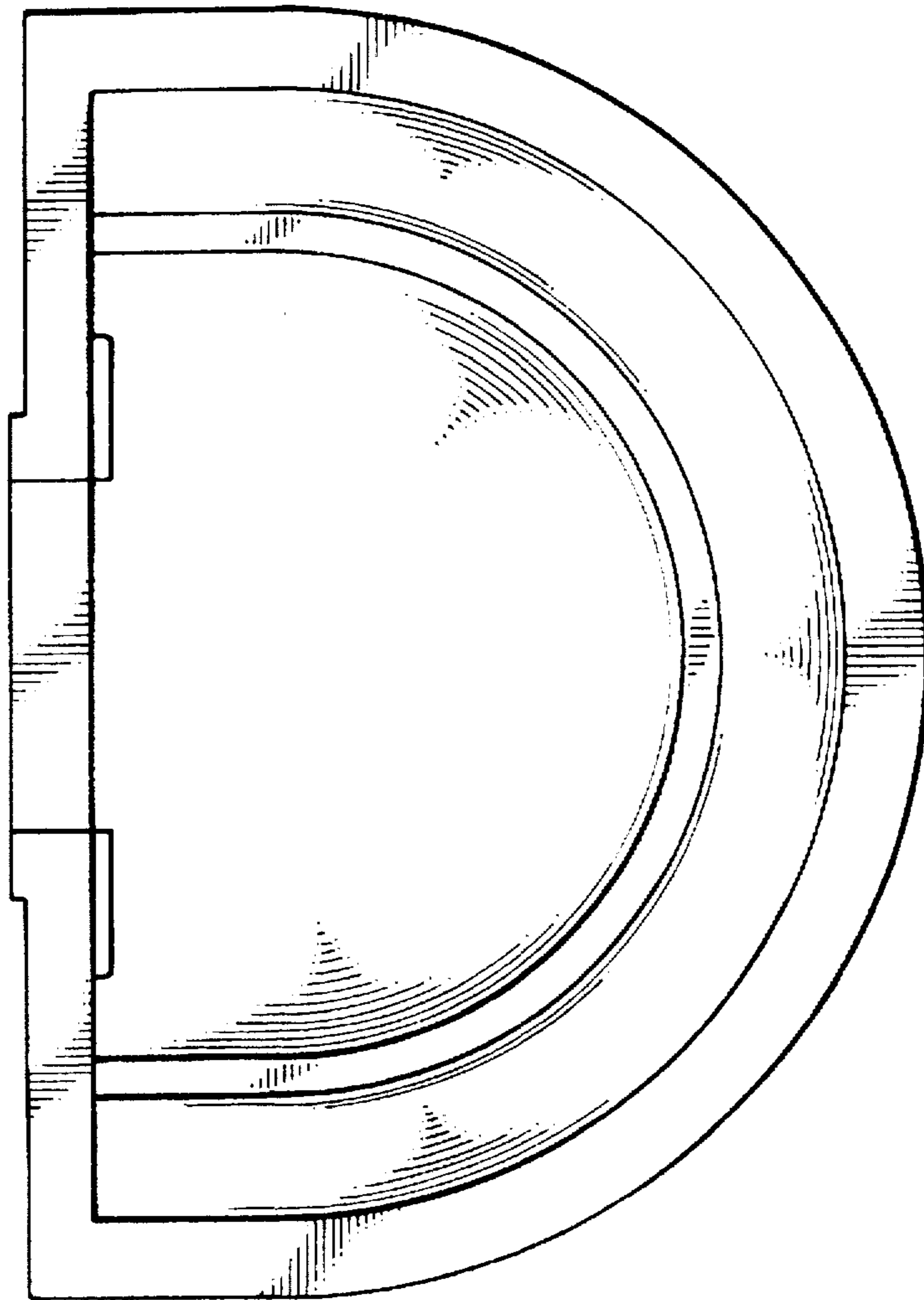


FIG. 6



FIG. 7