



US00D396316S

United States Patent [19]

Wang

[11] Patent Number: Des. 396,316

[45] Date of Patent: **Jul. 21, 1998

[54] LIGHT

[76] Inventor: Steve Wang, No. 39, 1. Feen Liao
Road Lin Kou Hsiang, Taipei, Taiwan

[**] Term: 14 Years

[21] Appl. No.: 77,966

[22] Filed: Oct. 14, 1997

[51] LOC (6) Cl. 26-03

[52] U.S. Cl. D26/107

[58] Field of Search D26/106, 37-50,
D26/107, 118, 119; 362/410-414, 157,
158, 183-202

[56] **References Cited**

U.S. PATENT DOCUMENTS

D. 165,806 1/1952 Watrous D26/107

D. 175,472 8/1955 Kotzin D26/107
D. 301,759 6/1989 Forcolini D26/106
D. 376,662 12/1996 Ambrosio D26/28

Primary Examiner—Marcus A. Jackson
Attorney, Agent, or Firm—Bacon & Thomas

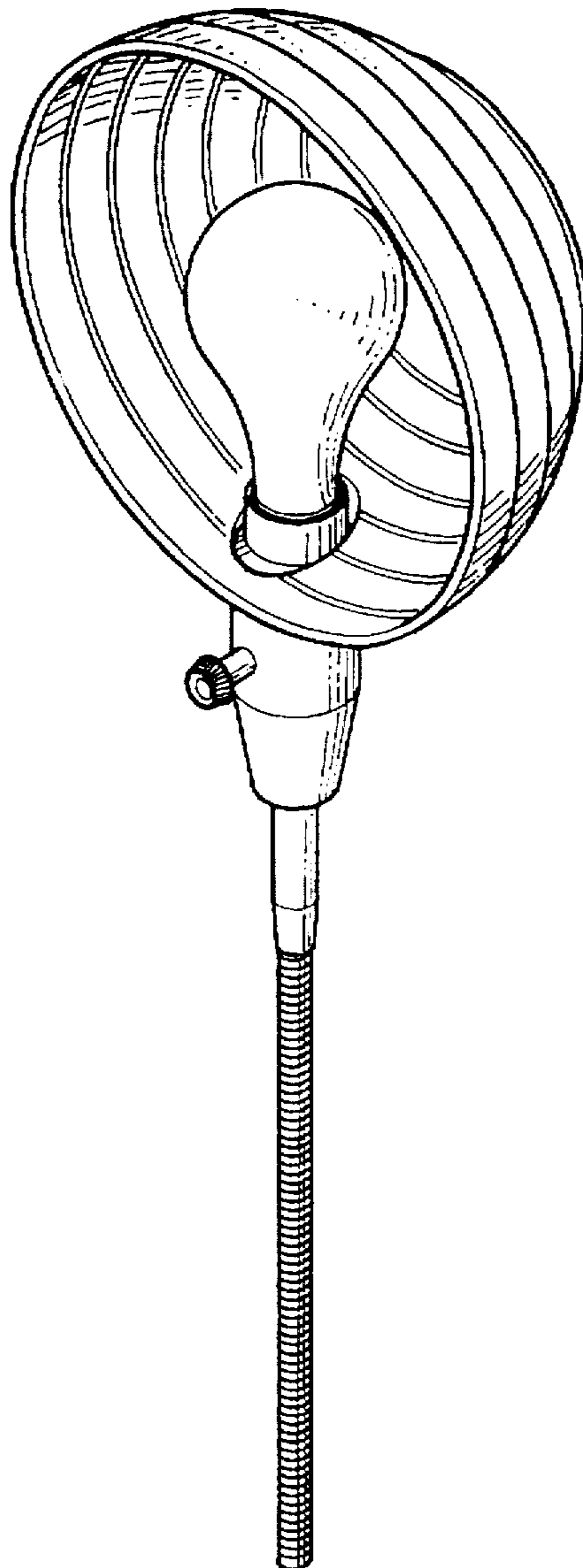
[57] **CLAIM**

The ornamental design for light, as shown and described.

DESCRIPTION

FIG. 1 a perspective view of light showing my new design;
FIG. 2 is a front elevational view thereof;
FIG. 3 is a rear elevational view thereof;
FIG. 4 is a left side elevational view thereof;
FIG. 5 is a right side elevational view thereof;
FIG. 6 is a top plan view thereof; and,
FIG. 7 is bottom plan view thereof.

1 Claim, 4 Drawing Sheets



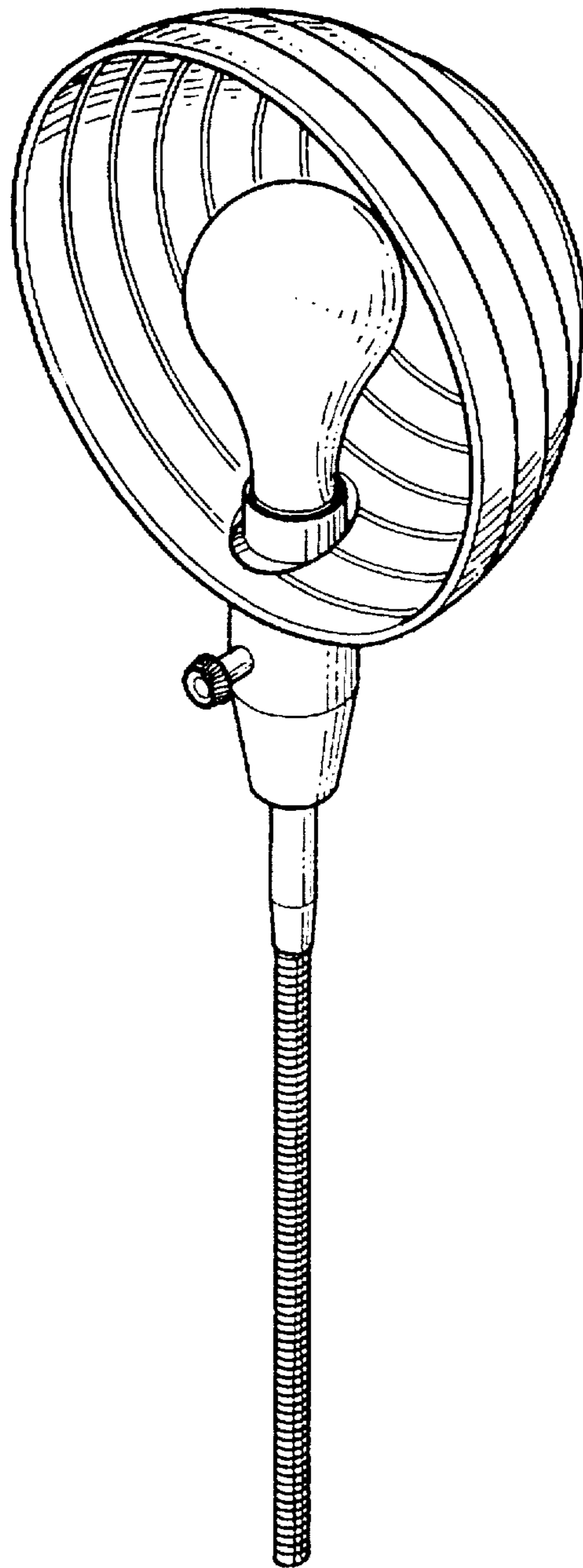


Fig. 1

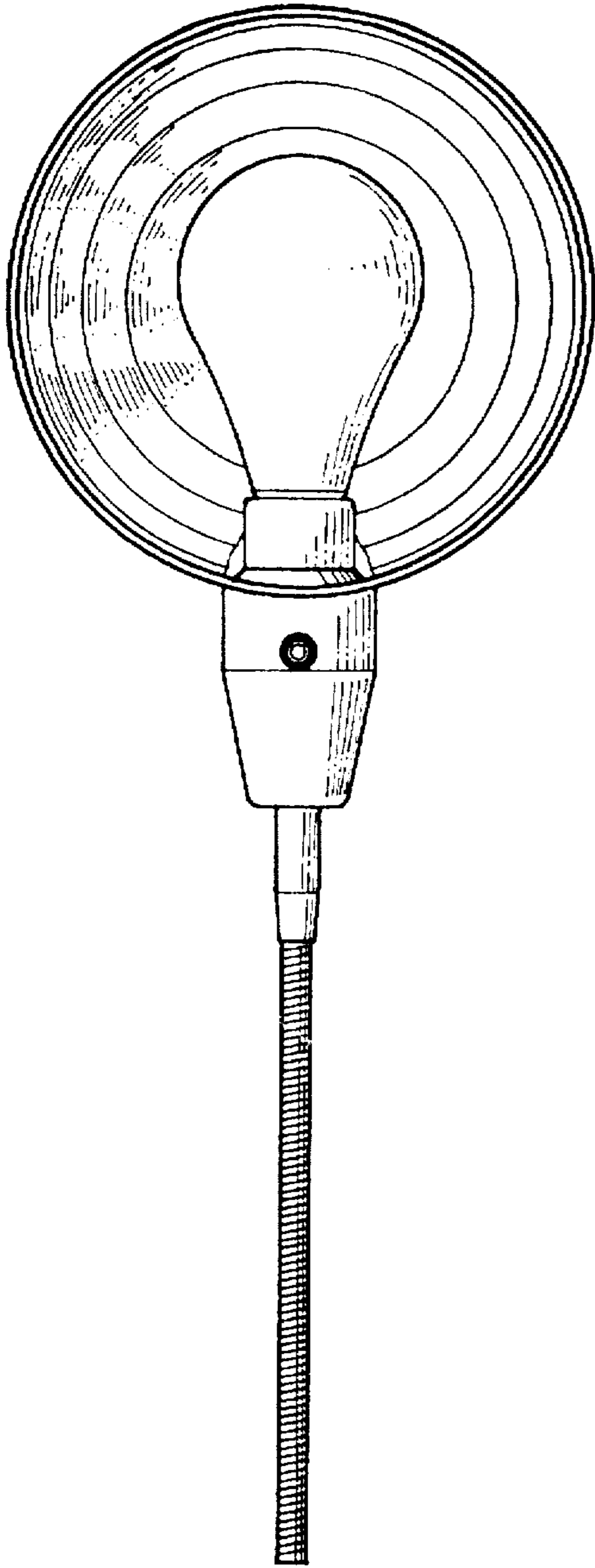


Fig. 2

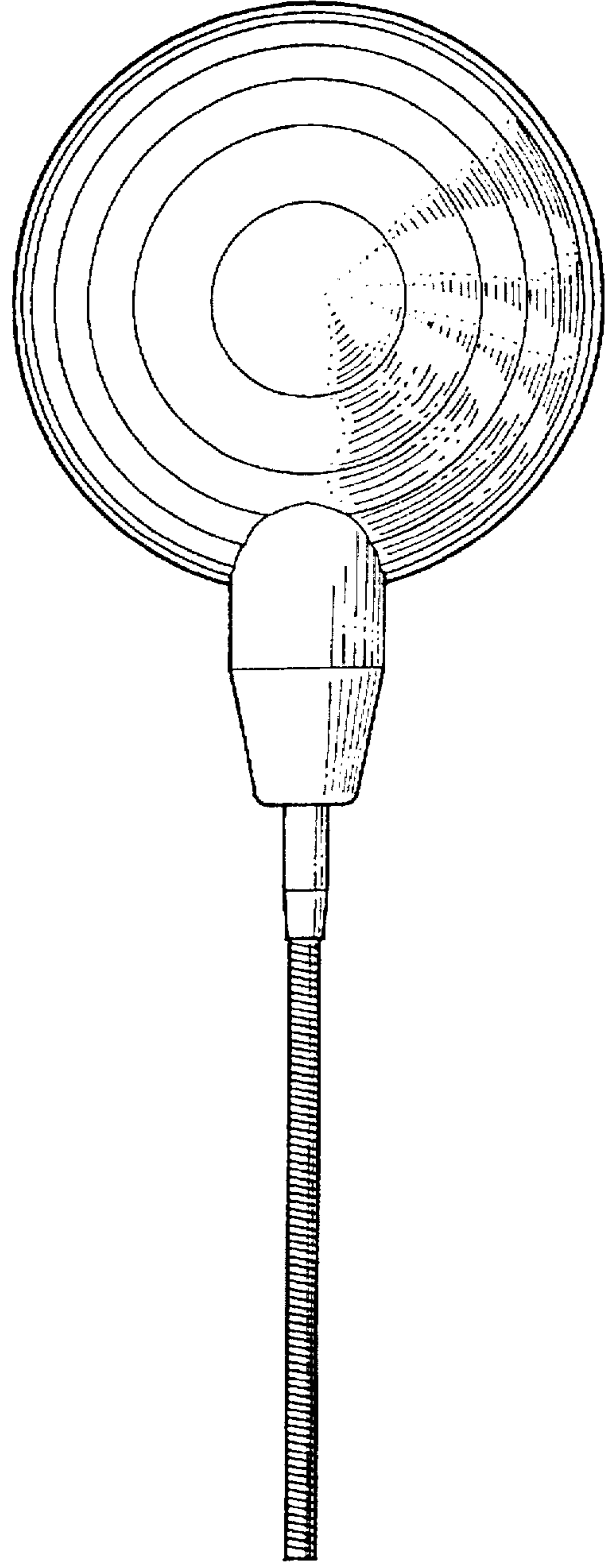


Fig. 3

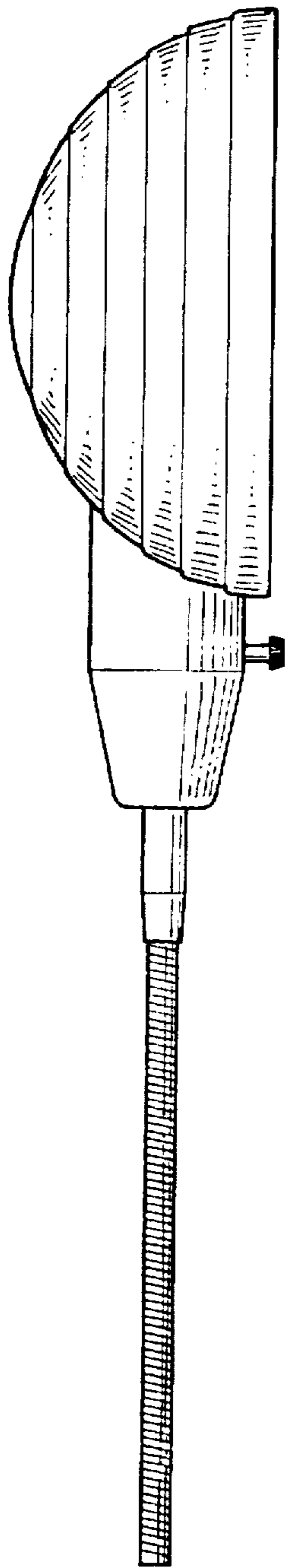


Fig. 4

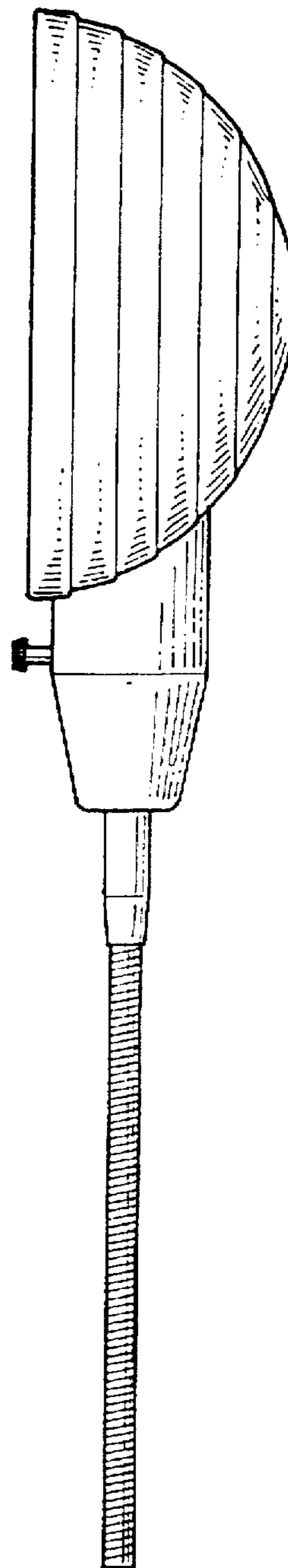


Fig. 5

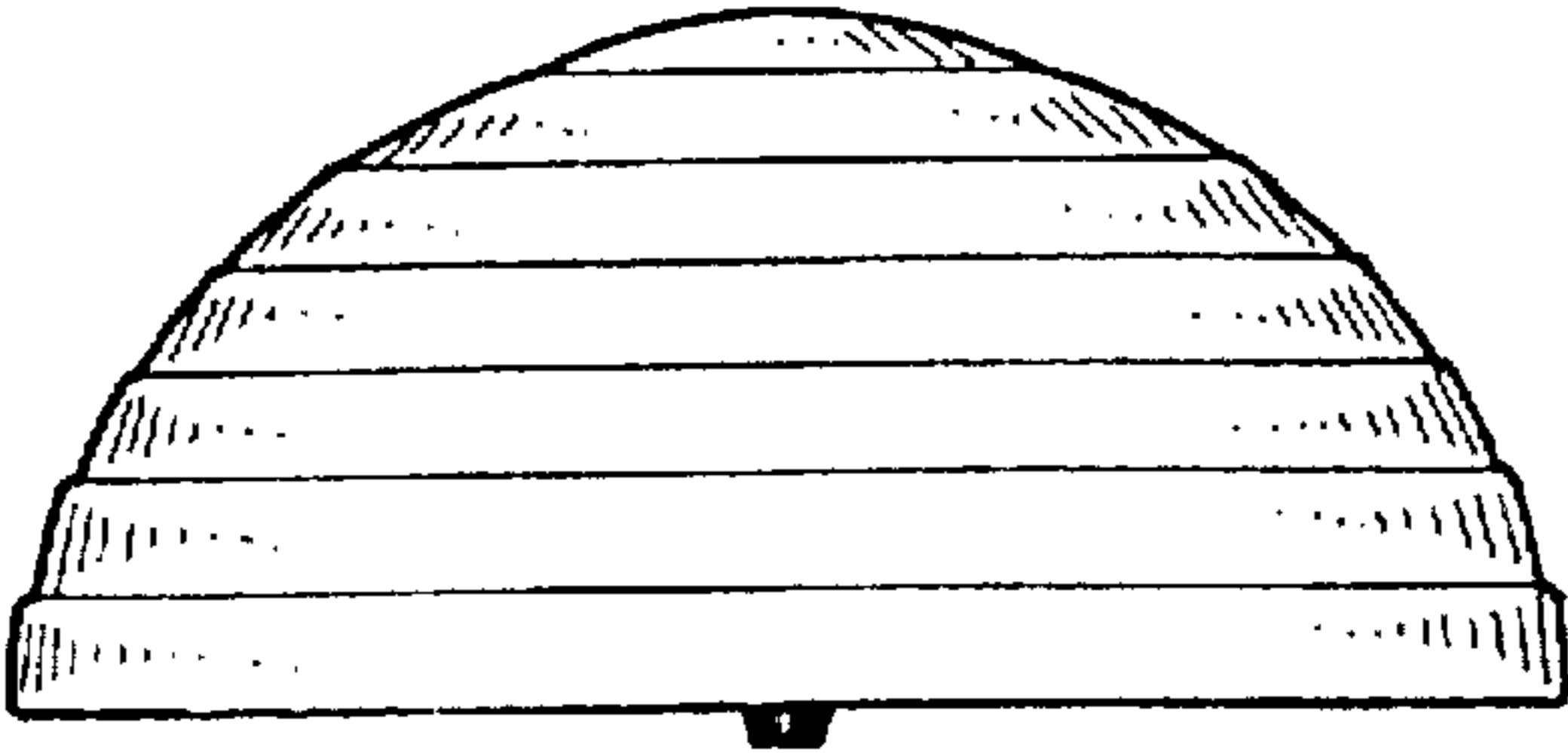


Fig. 6

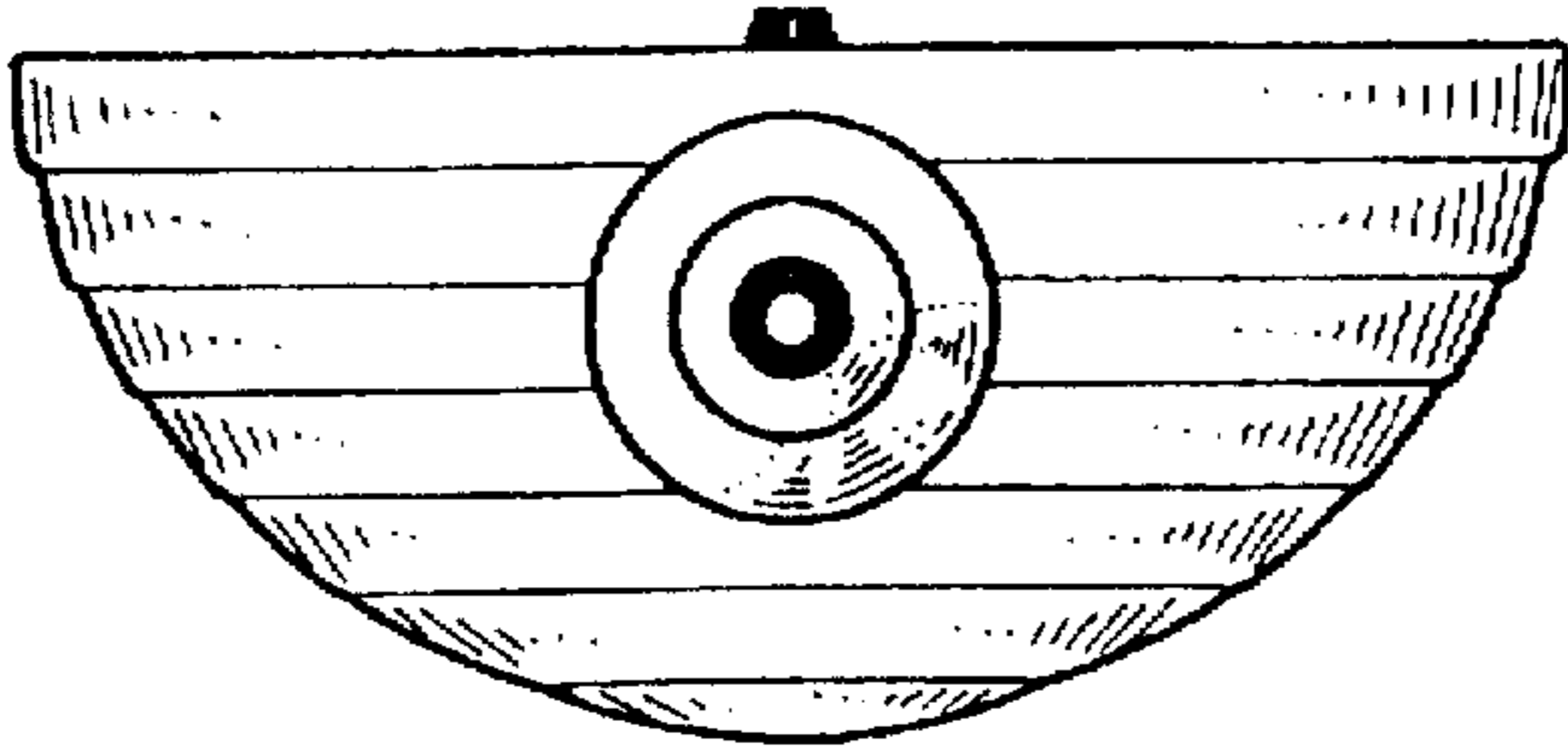


Fig. 7