



US00D396314S

**United States Patent** [19]  
**Chiu**

[11] **Patent Number:** **Des. 396,314**  
[45] **Date of Patent:** **\*\*Jul. 21, 1998**

[54] **FLASHLIGHT**

[76] **Inventor:** **Si Fu Chiu**, Unit 10, 19th Floor,  
Technology Plaza, 29-35 Sha Tsui  
Road, Tsuen Wan, New Territories,  
Hong Kong

[\*\*] **Term:** **14 Years**

[21] **Appl. No.:** **76,886**

[22] **Filed:** **Sep. 26, 1997**

[51] **LOC (6) Cl.** ..... **26-02**

[52] **U.S. Cl.** ..... **D26/49**

[58] **Field of Search** ..... **D26/37-50; 362/157,**  
**362/158, 160, 162, 167, 168, 170, 171,**  
**178, 181, 182, 183-208**

[56] **References Cited**

**U.S. PATENT DOCUMENTS**

- D. 268,528 4/1983 Hung ..... D26/49
- D. 314,057 1/1991 Naldi ..... D26/49
- D. 322,139 12/1991 Wang ..... D26/49

- D. 353,216 12/1994 Sharrah et al. .... D26/49
- D. 356,170 3/1995 Ohtako et al. .... D26/49
- D. 363,361 10/1995 Maglica ..... D26/49
- D. 368,147 3/1996 Bamber et al. .... D26/49
- D. 370,543 6/1996 Huen ..... D26/49

*Primary Examiner*—Marcus A. Jackson  
*Attorney, Agent, or Firm*—Leydig, Voit & Mayer, Ltd.

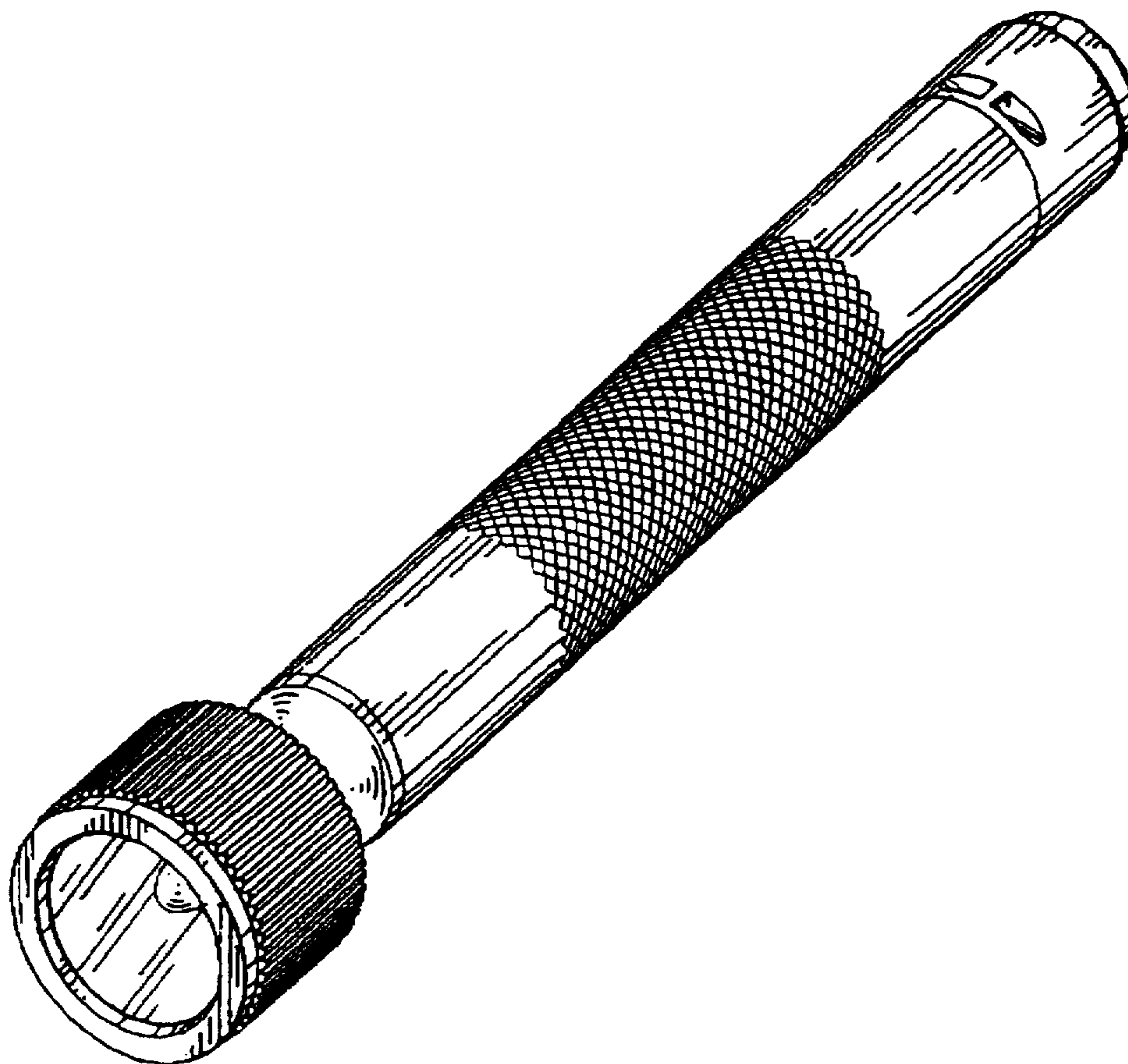
[57] **CLAIM**

The ornamental design for a flashlight, as shown and described.

**DESCRIPTION**

FIG. 1 is a front end, left side and top perspective view of a flashlight showing my new design;  
FIG. 2 is a left side elevational view thereof;  
FIG. 3 is a right side elevational view thereof;  
FIG. 4 is a top plan view thereof;  
FIG. 5 is a bottom plan view thereof;  
FIG. 6 is a front end elevational view thereof; and,  
FIG. 7 is a rear end elevational view thereof.

**1 Claim, 3 Drawing Sheets**



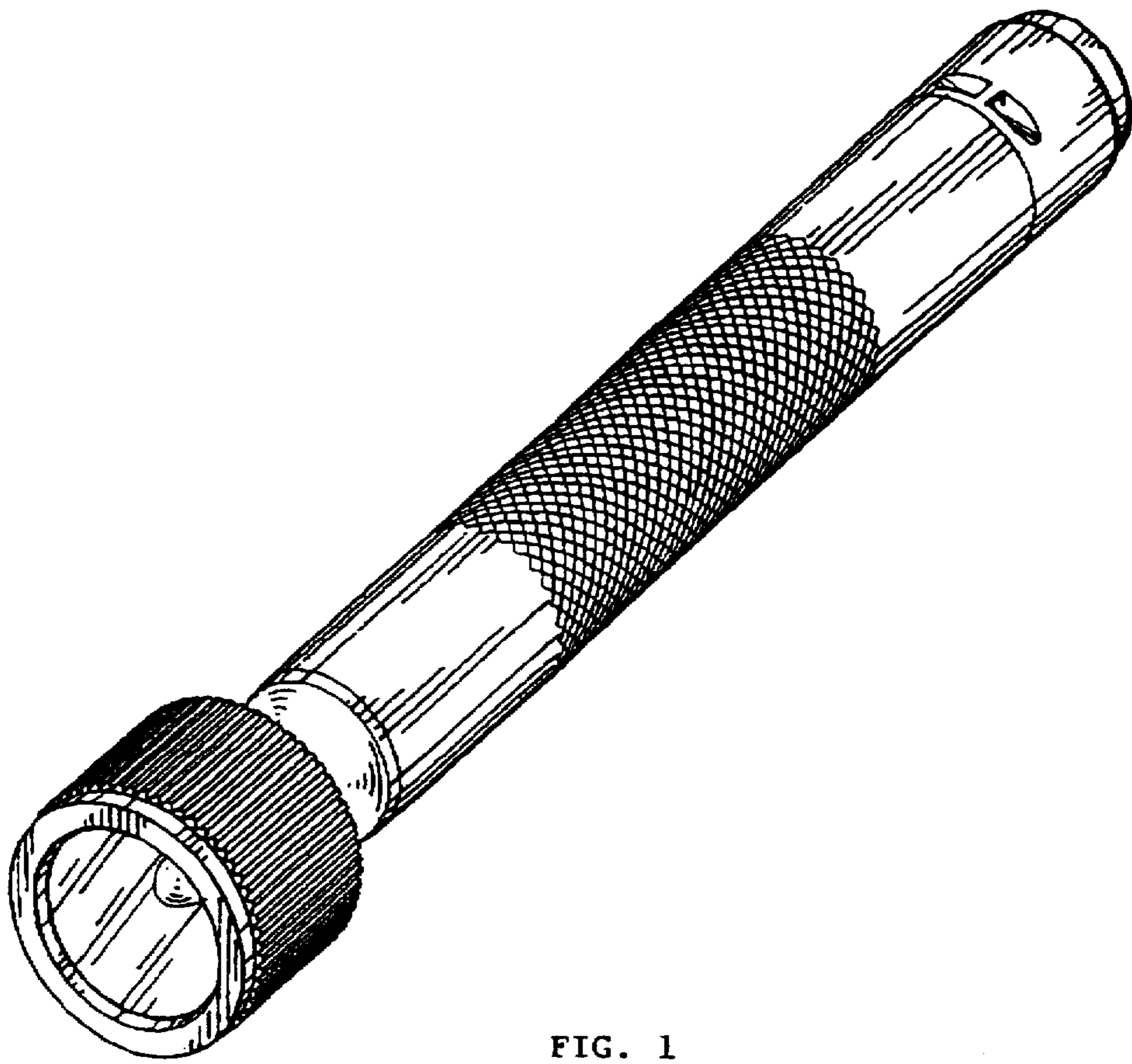


FIG. 1

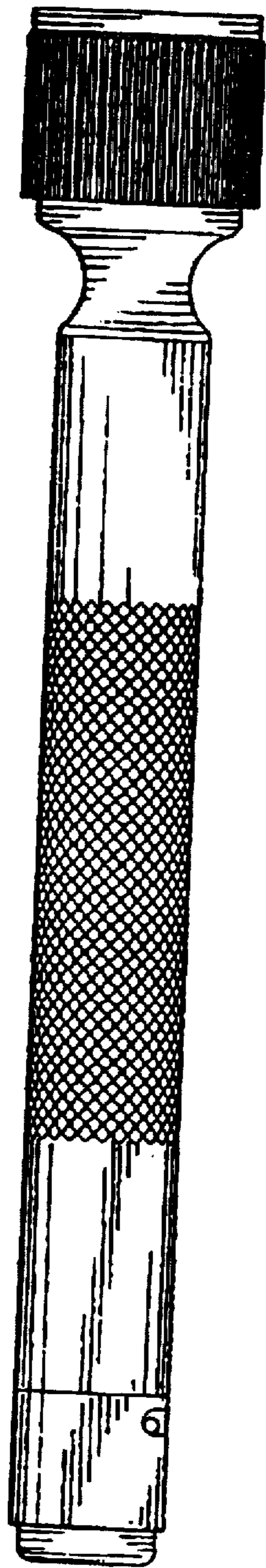


FIG. 2

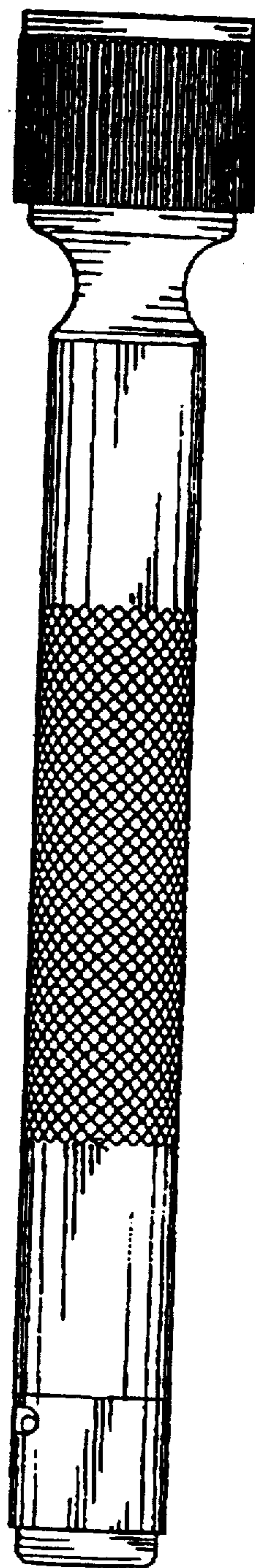


FIG. 3

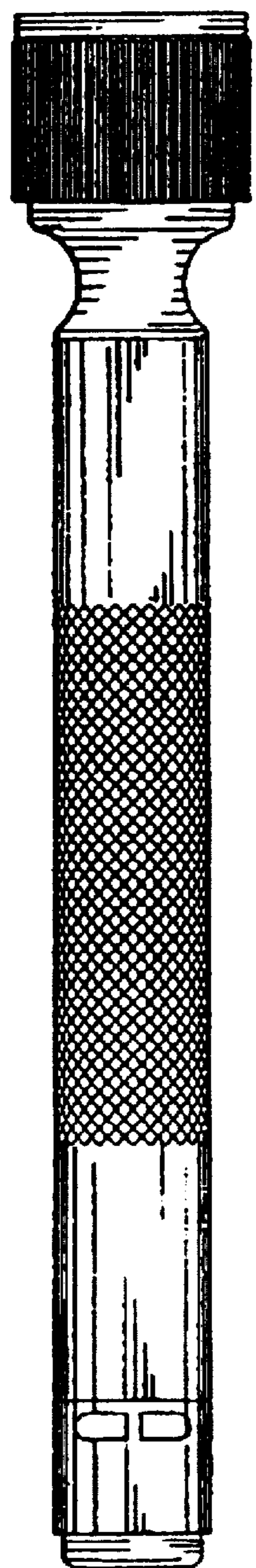


FIG. 4

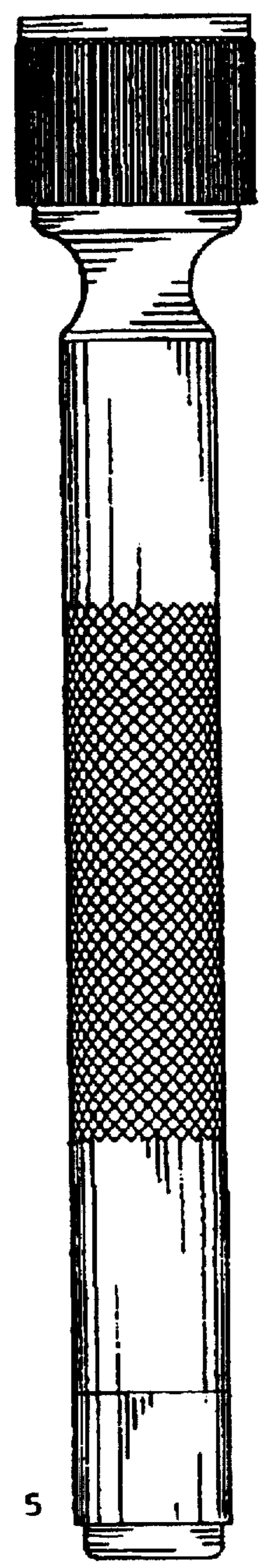


FIG. 5

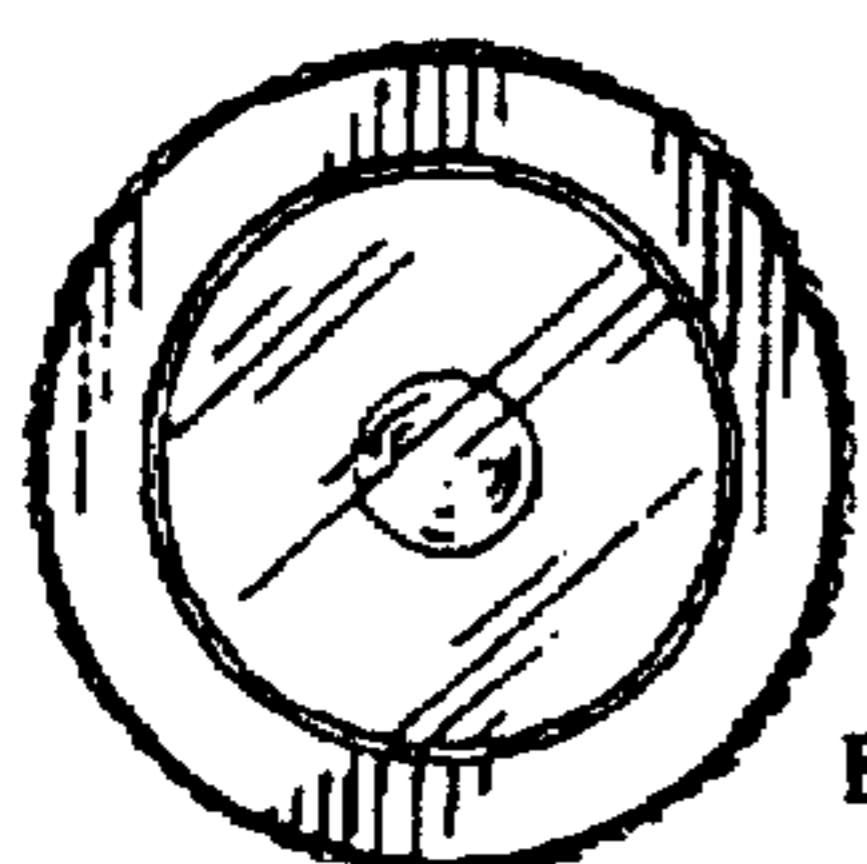


FIG. 6

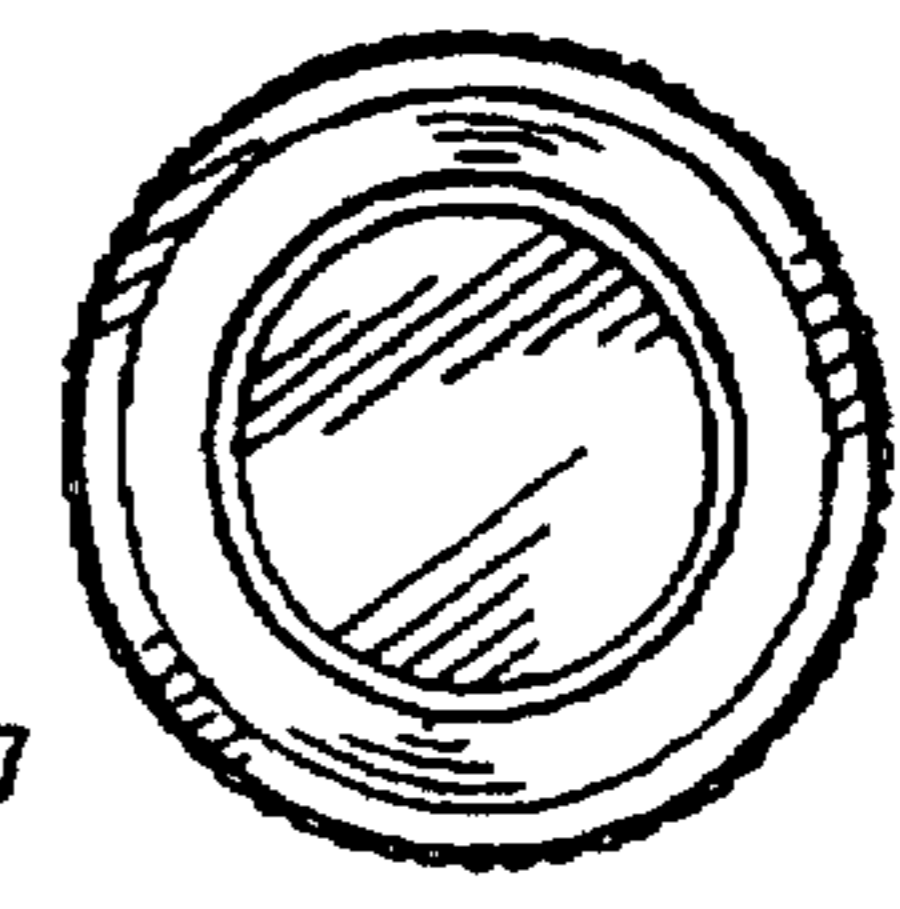


FIG. 7