



US00D396313S

United States Patent [19]

Dalton et al.

[11] Patent Number: **Des. 396,313**

[45] Date of Patent: ****Jul. 21, 1998**

[54] **FLASHLIGHT BODY**

[75] Inventors: **David R. Dalton**, Westlake, Ohio; **John R. Brown**, Mosman, Australia

[73] Assignee: **Eveready Battery Company, Inc.**, St. Louis, Mo.

[**] Term: **14 Years**

[21] Appl. No.: **70,405**

[22] Filed: **May 6, 1997**

[30] **Foreign Application Priority Data**

Nov. 6, 1996 [AU] Australia 3620/96

[51] **LOC (6) Cl.** **26-02**

[52] **U.S. Cl.** **D26/46**

[58] **Field of Search** D26/37-50; 362/157, 362/158, 159, 160, 161, 168, 171, 172, 173, 178, 179, 180, 183-208

[56] **References Cited**

U.S. PATENT DOCUMENTS

- D. 355,040 1/1995 Dalton et al. D26/46
- D. 383,233 9/1997 Abry D26/46
- 2,383,223 8/1945 Snyder 362/184

Primary Examiner—Marcus A. Jackson

Attorney, Agent, or Firm—Robert W. Welsh; S. Allan Fraser

[57] **CLAIM**

The ornamental design for a flashlight body, as shown and described.

DESCRIPTION

FIG. 1 is a front perspective view of a flashlight body, showing our new design with the broken-line showing of the flashlight head and rear caps being for illustrative purposes only and forming no part of the claimed design;

FIG. 2 is a rear elevational view thereof;

FIG. 3 is a top plan view, and the bottom plan view, left elevational view, and right elevational view being identical thereof;

FIG. 4 is a rear perspective view thereof;

FIG. 5 is a front perspective view of an alternate embodiment of the flashlight body, showing our new design with the broken-line showing of the flashlight head and rear caps being for illustrative purposes only and forming no part of the claimed design;

FIG. 6 is a rear elevational view thereof;

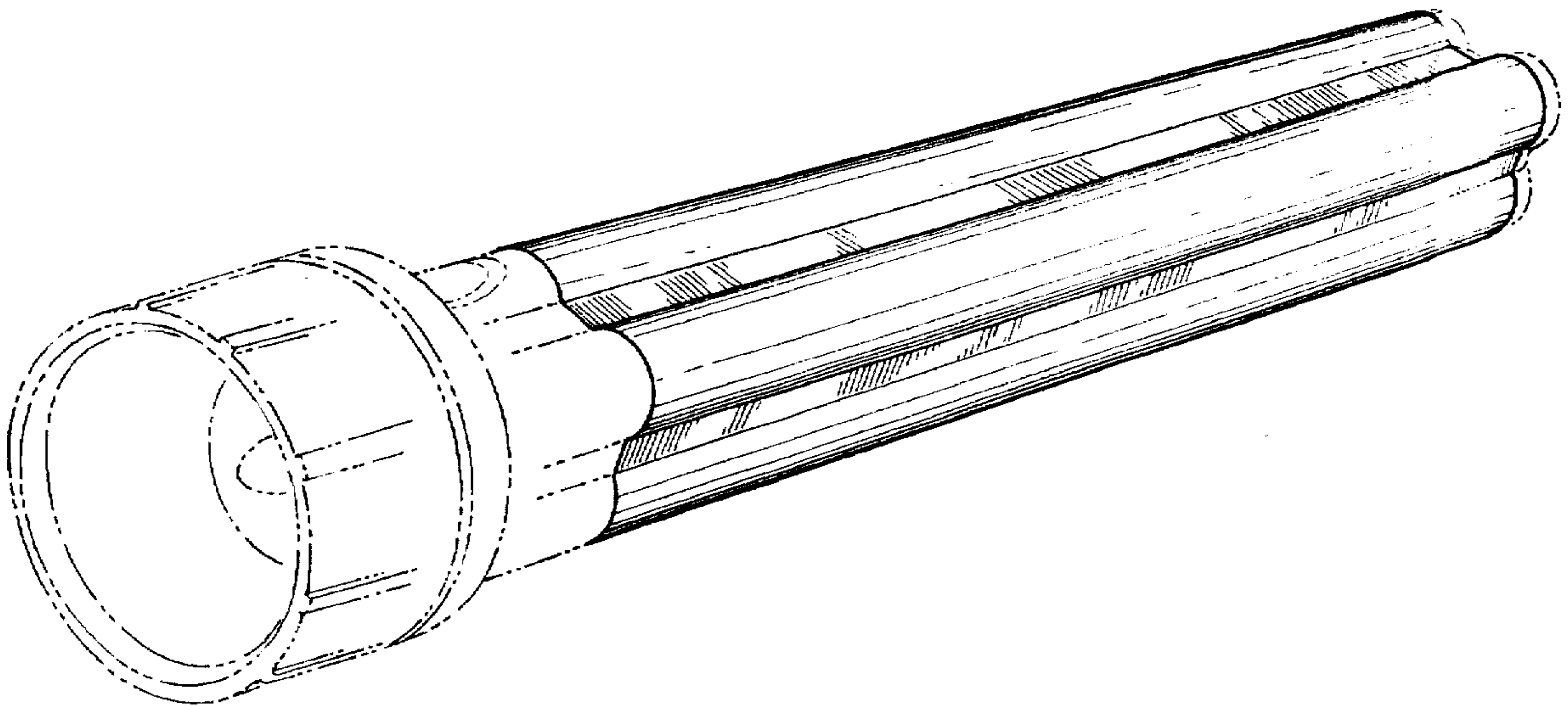
FIG. 7 is a top plan view thereof;

FIG. 8 is a left elevational view thereof, and the right side being a mirror image;

FIG. 9 is a bottom plan view thereof; and,

FIG. 10 is a rear perspective view thereof.

1 Claim, 4 Drawing Sheets



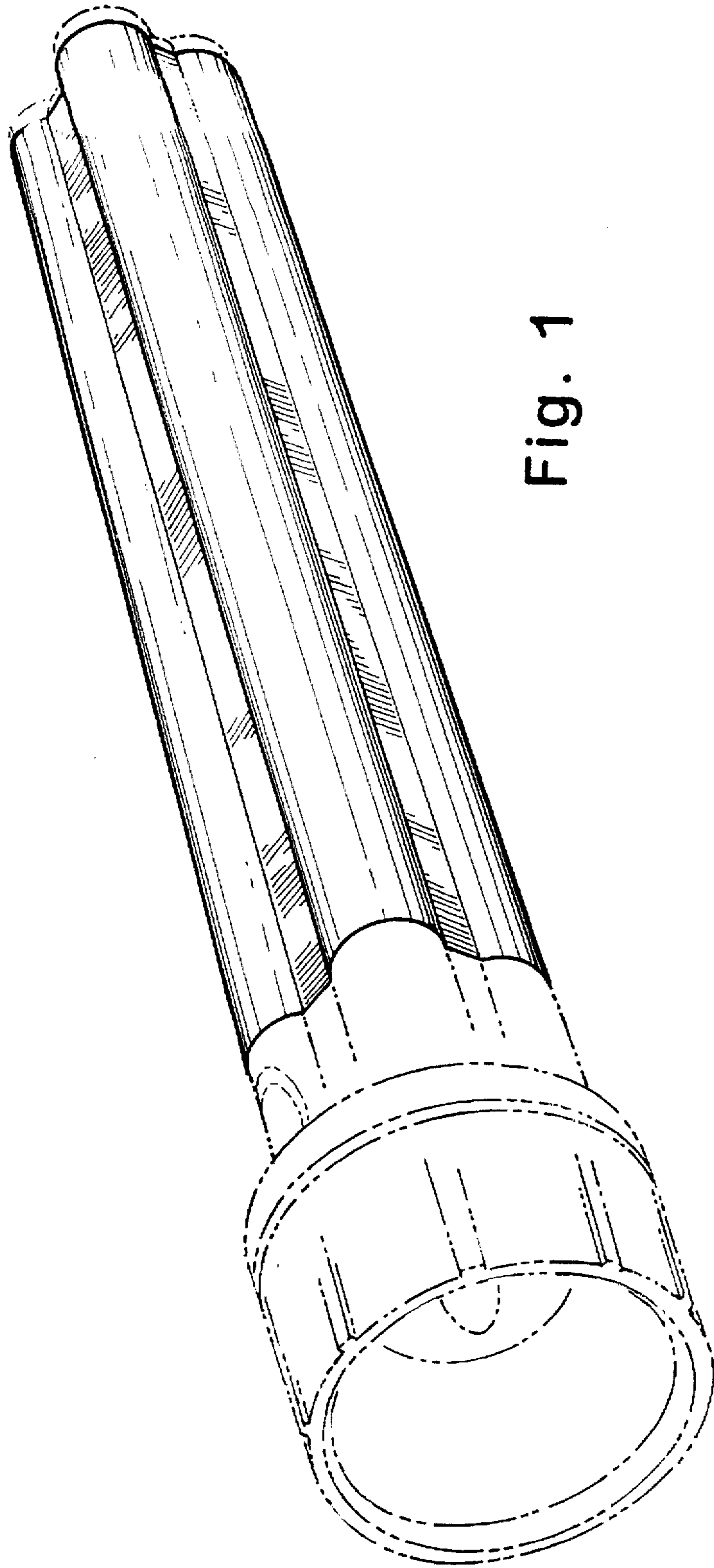


Fig. 1

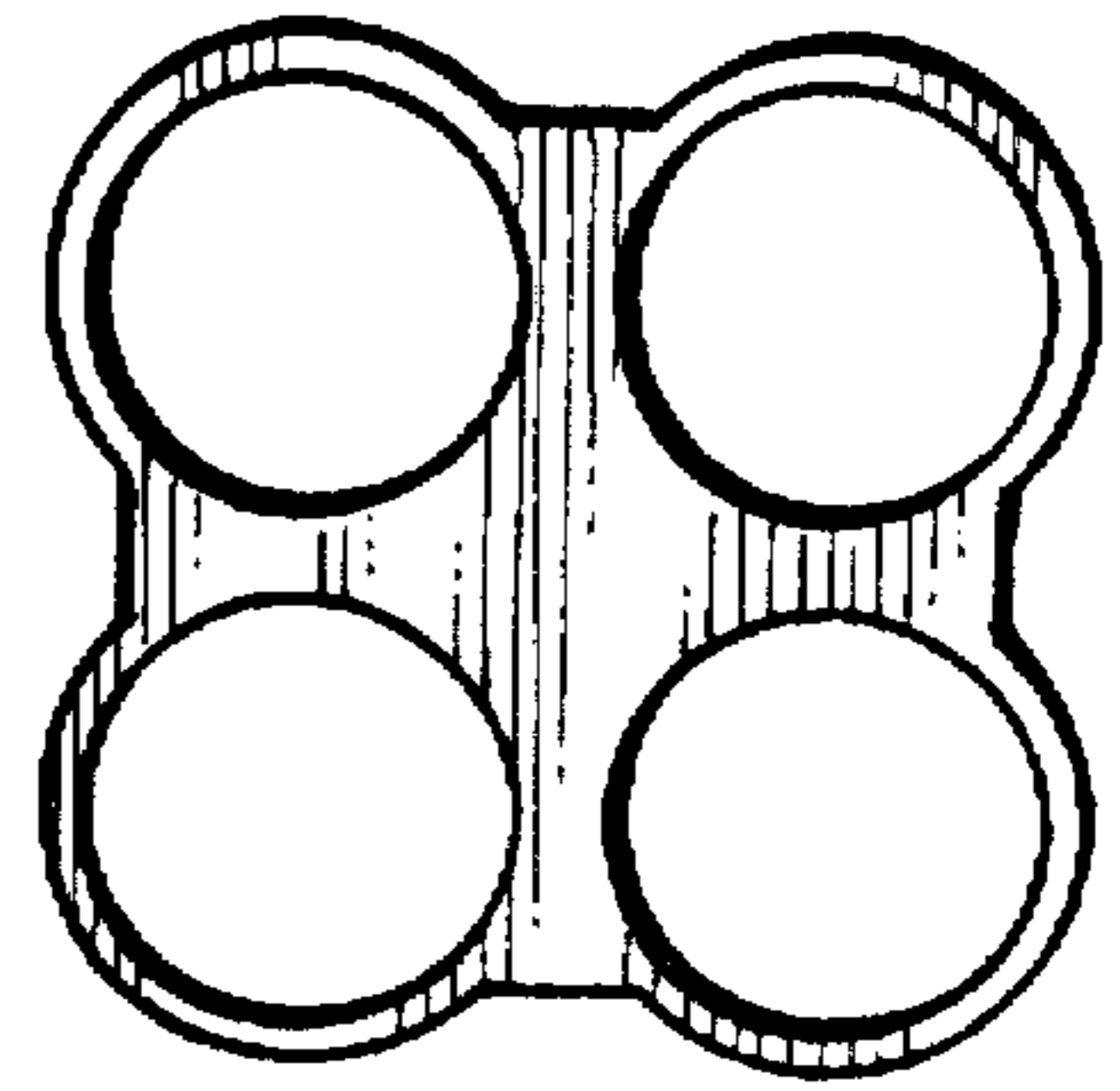


Fig. 2

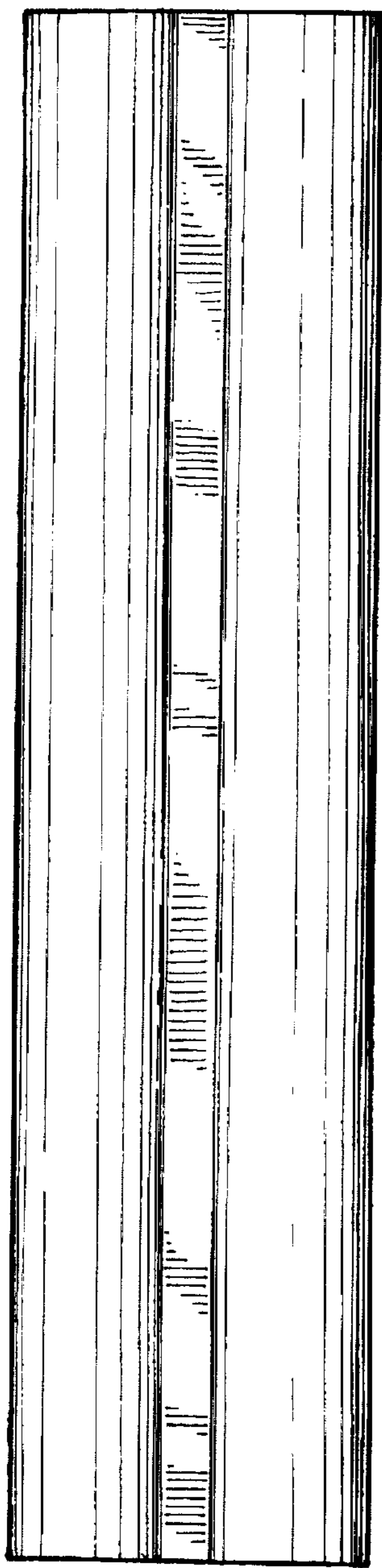


Fig. 3

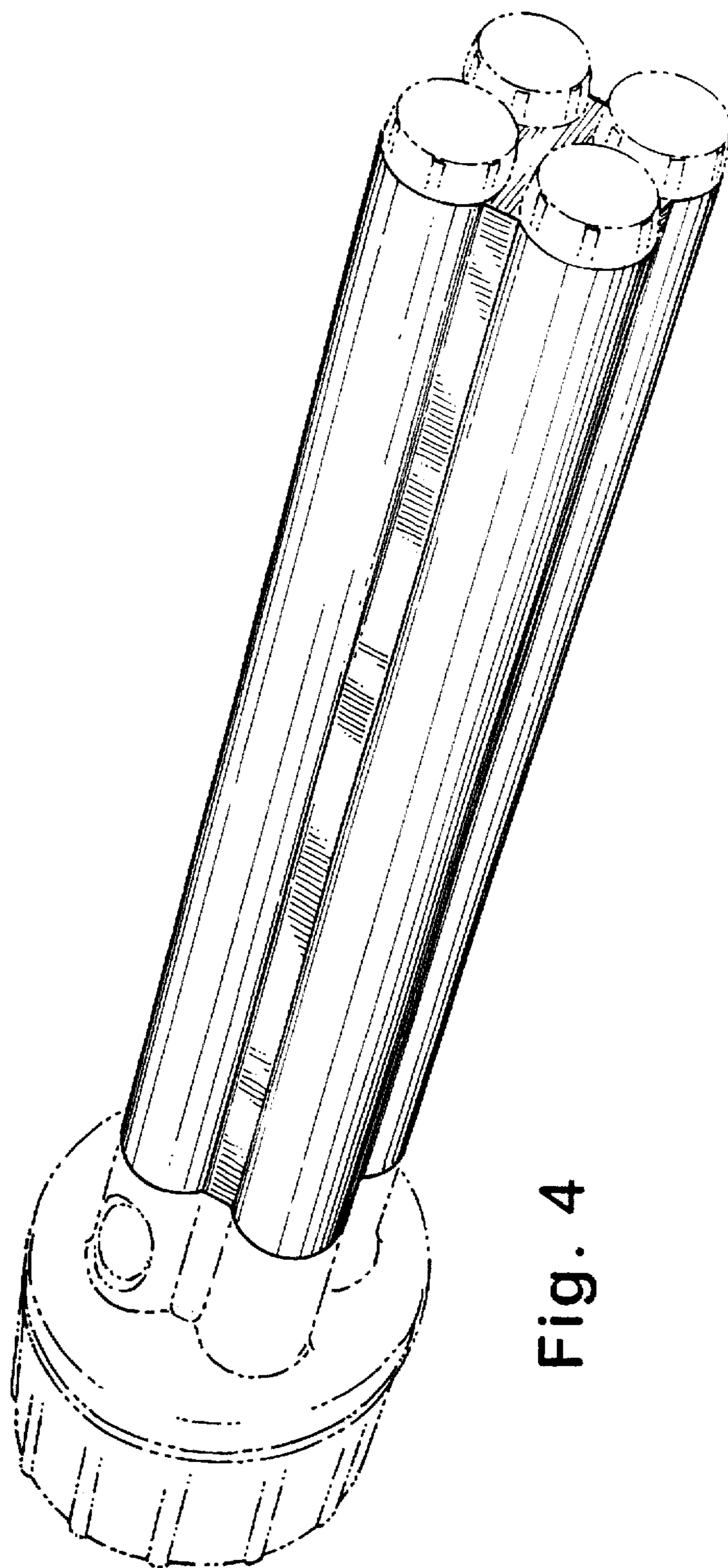


Fig. 4

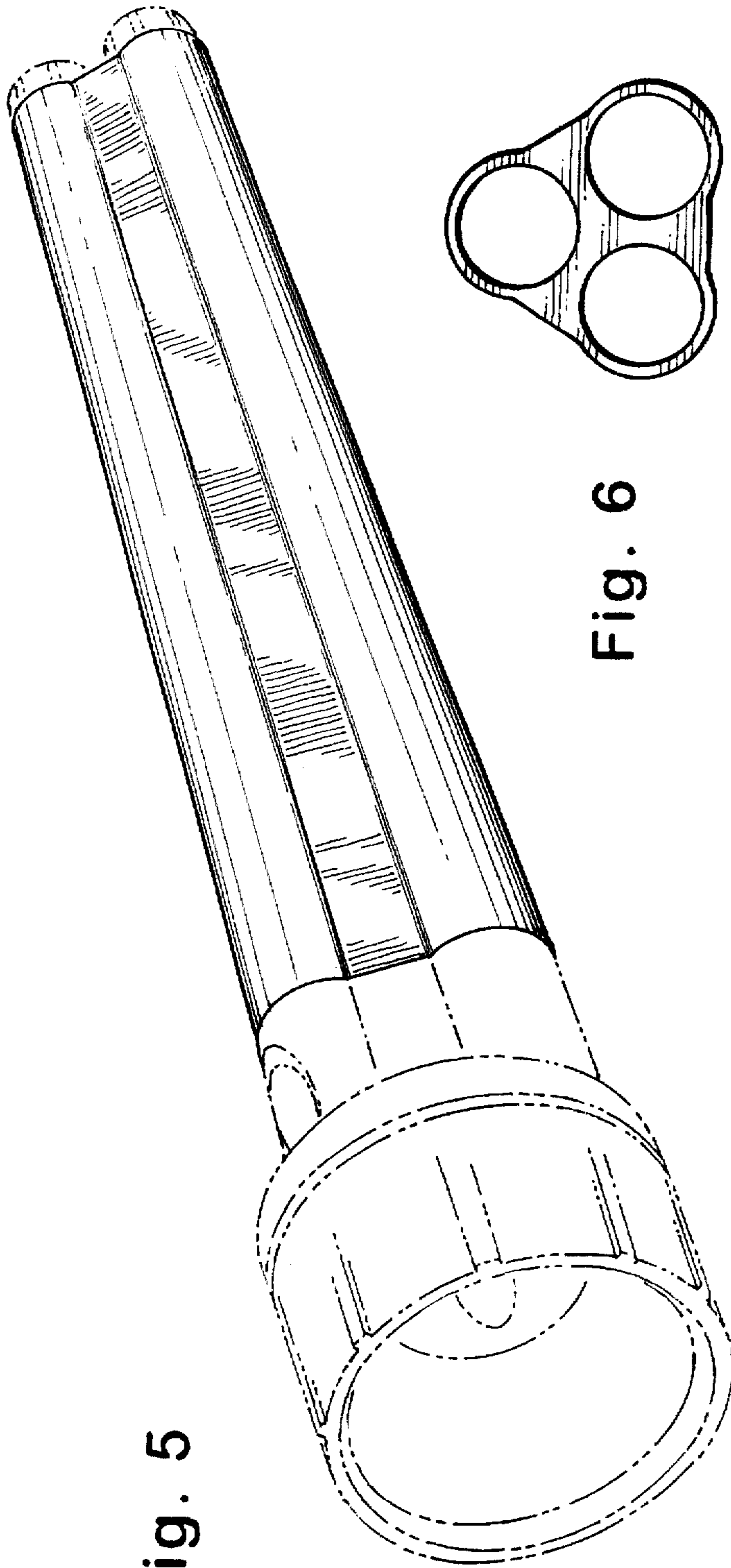


Fig. 5

Fig. 6

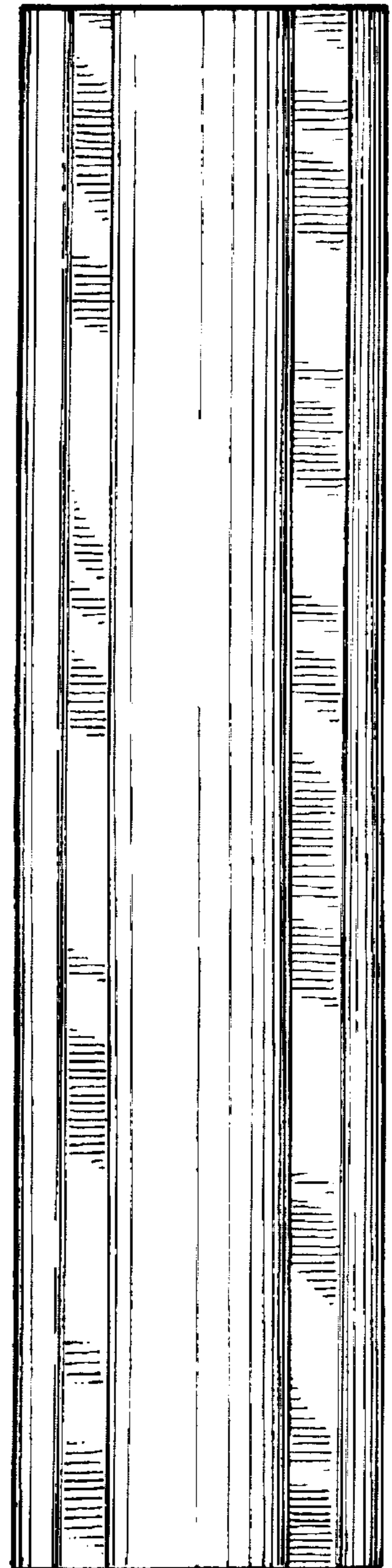


Fig. 7

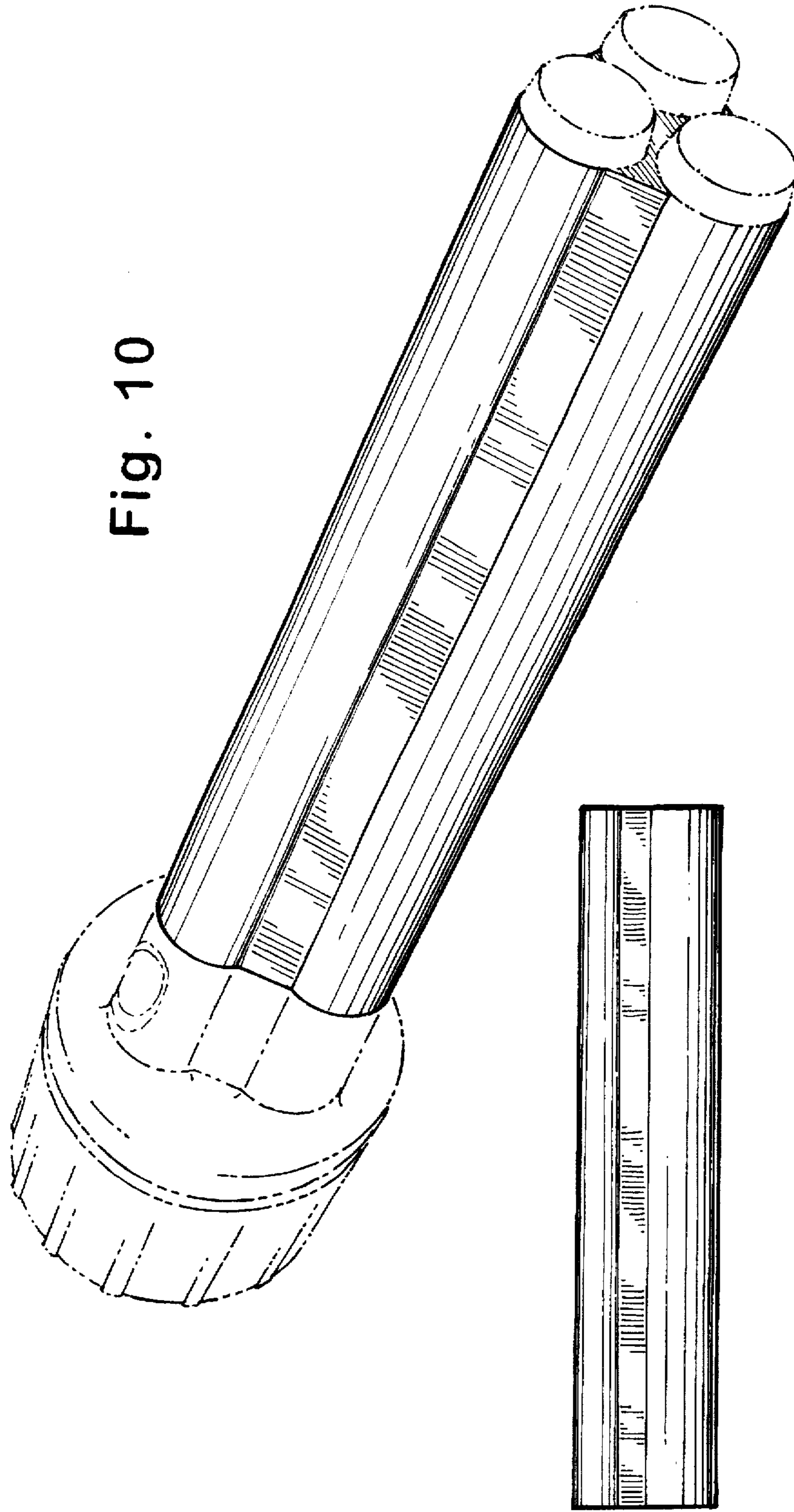


Fig. 10

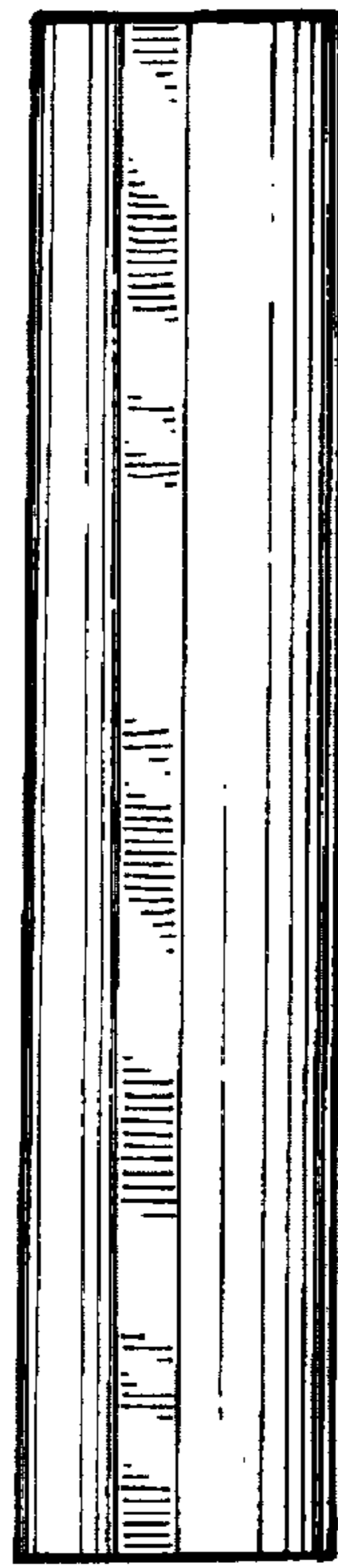


Fig. 8

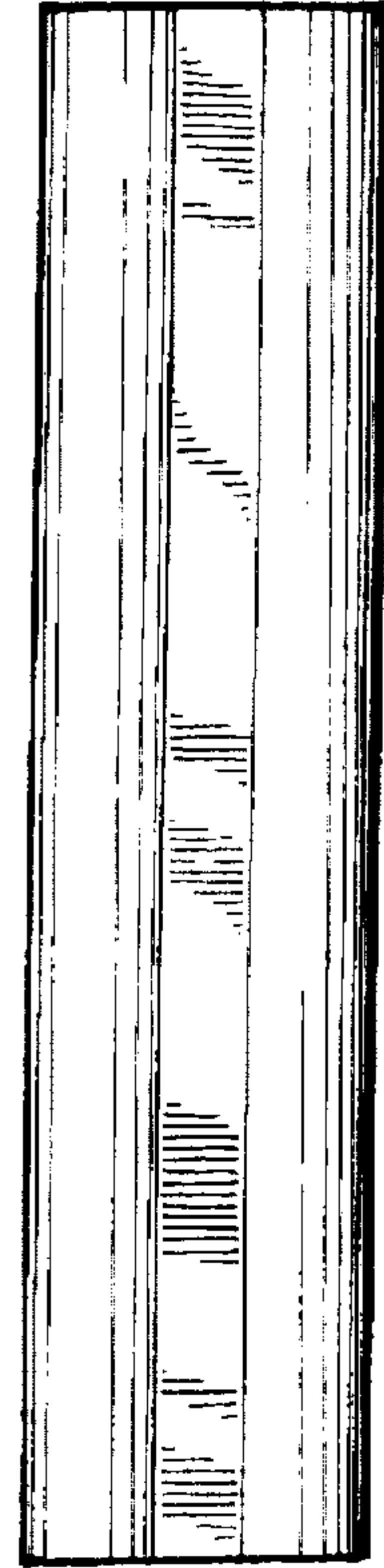


Fig. 9

UNITED STATES PATENT AND TRADEMARK OFFICE
CERTIFICATE OF CORRECTION

PATENT NO. : Des. 396,313
DATED : July 21, 1998
INVENTORS : David R. Dalton et al.

It is certified that error appears in the above-identified patent and that said Letters Patent is hereby corrected as shown below:

Title page,

Item [30], Foreign Application Priority Data;

“Australia - 3620/96” should be --Australia - 3820/96--.

Signed and Sealed this

Twenty-ninth Day of December, 1998

Attest:



BRUCE LEHMAN

Attesting Officer

Commissioner of Patents and Trademarks