



US00D396307S

**United States Patent** [19]  
**Toovey**

[11] **Patent Number:** **Des. 396,307**  
[45] **Date of Patent:** **\*\*Jul. 21, 1998**

[54] **BUILDING ELEMENT**  
[75] **Inventor:** **Philip Toovey, Banbury Oxfordshire, United Kingdom**  
[73] **Assignee:** **Fina Europe, Brussels, Belgium**  
[\*\*] **Term:** **14 Years**  
[21] **Appl. No.:** **49,056**  
[22] **Filed:** **Jan. 12, 1996**  
[30] **Foreign Application Priority Data**  
Jul. 12, 1995 [WO] WIPO ..... DM/033515  
[51] **LOC (6) Cl.** ..... **25-01**  
[52] **U.S. Cl.** ..... **D25/136; D25/199**  
[58] **Field of Search** ..... **D25/55, 56, 57, D25/61, 136, 199; 52/73-78; 135/87, 120, 121, 101**

D. 268,703 4/1983 Lloyd-Jones ..... D25/55  
2,168,811 8/1939 Tyson .  
2,296,467 9/1942 Dugan .  
2,383,639 8/1945 Ferguson .  
4,692,847 9/1987 Gandy ..... 52/74

*Primary Examiner*—Doris Clark  
*Attorney, Agent, or Firm*—Patterson, Belknap, Webb & Tyler LLP

[57] **CLAIM**

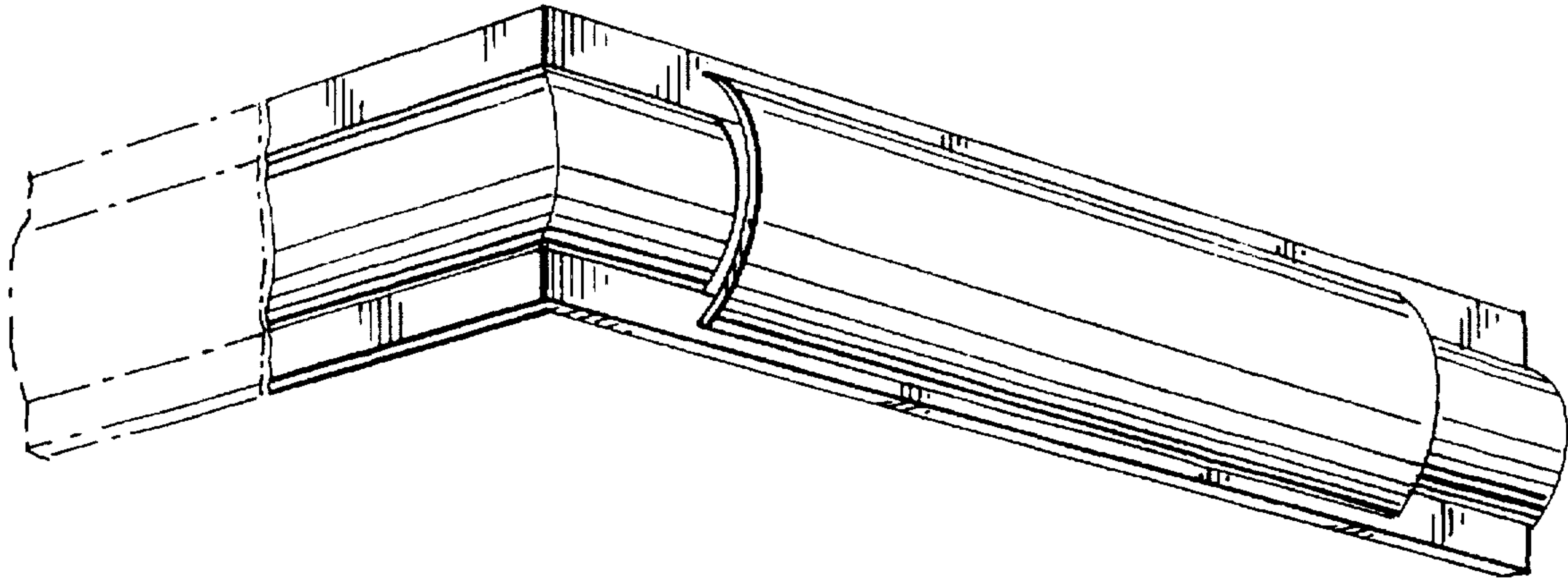
The ornamental design for a building element, as shown.

**DESCRIPTION**

FIG. 1 is a perspective view of my design;  
FIG. 2 is a top view of my design;  
FIG. 3 is a side view of my design; and,  
FIG. 4 is a front view of my design.

[56] **References Cited**  
**U.S. PATENT DOCUMENTS**  
D. 163,939 7/1951 Etten .

**1 Claim, 1 Drawing Sheet**



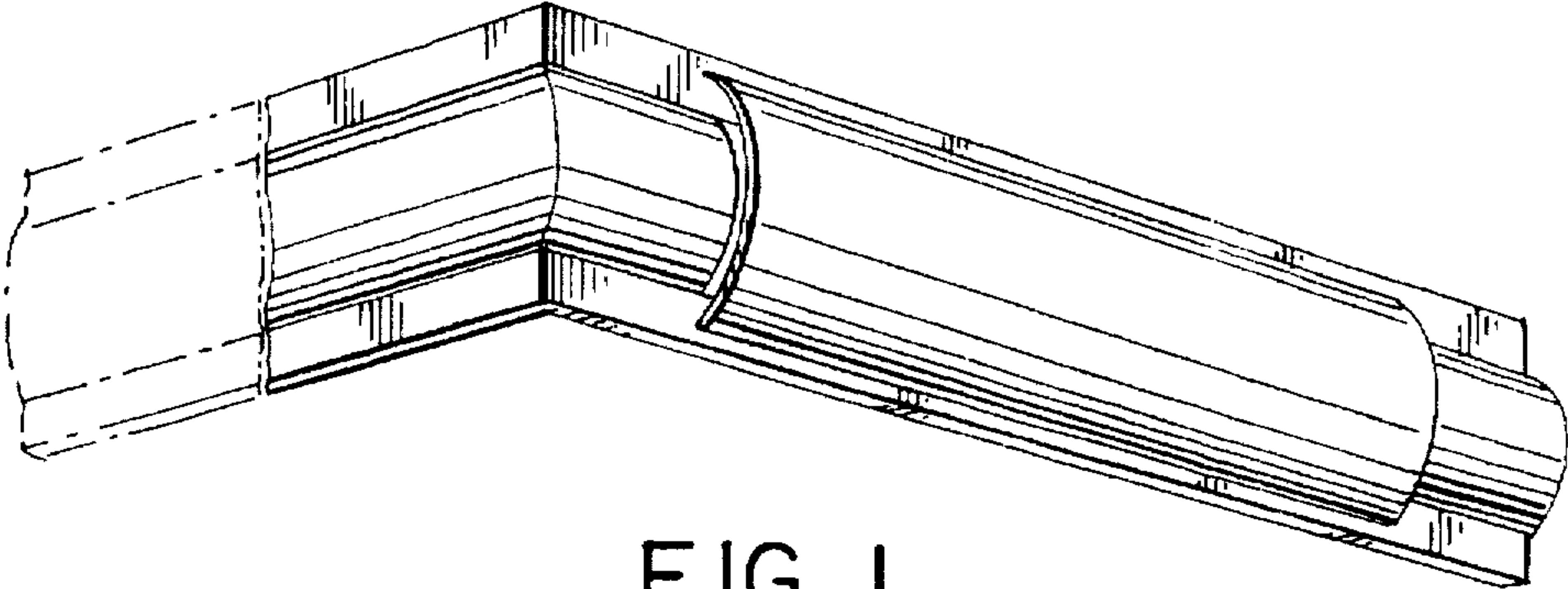


FIG. 1

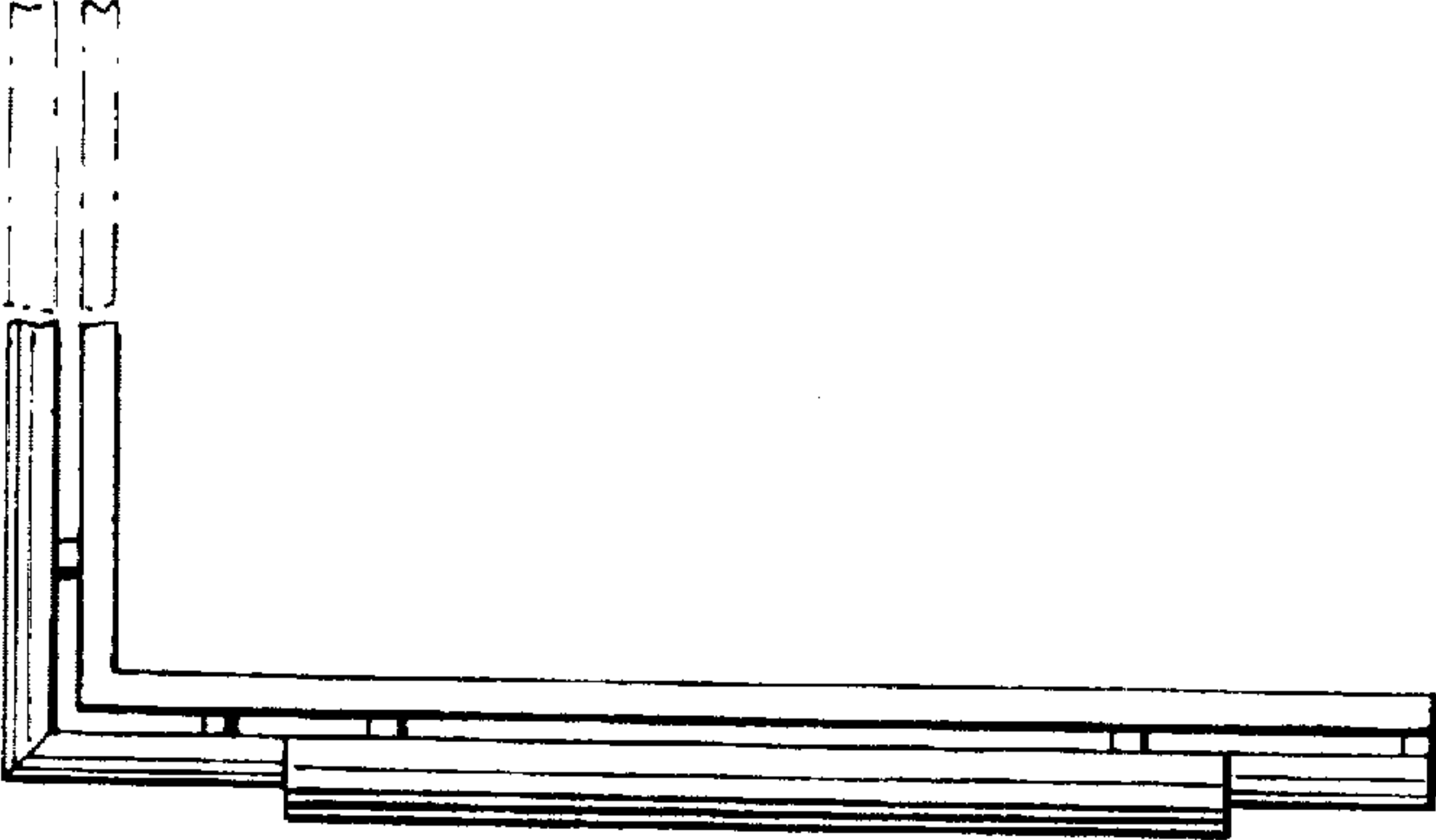


FIG. 2

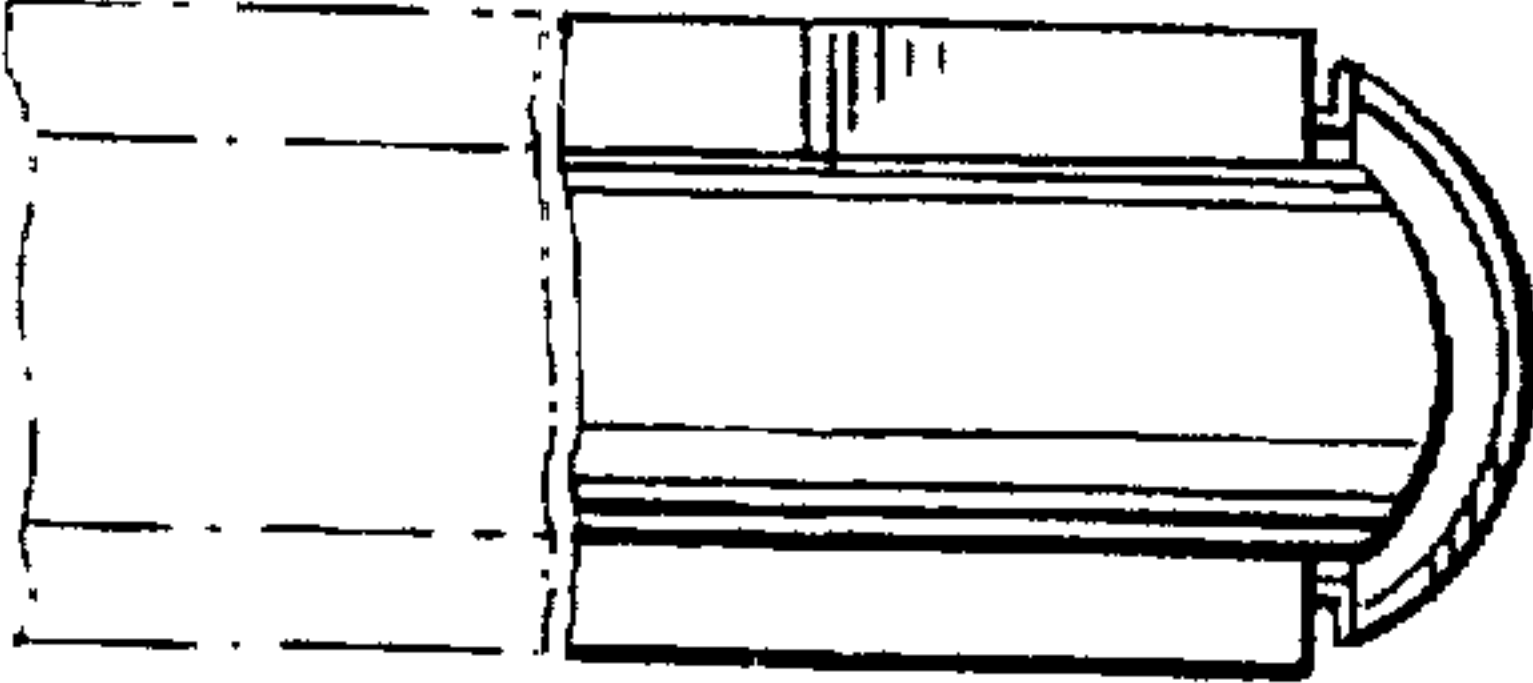


FIG. 3

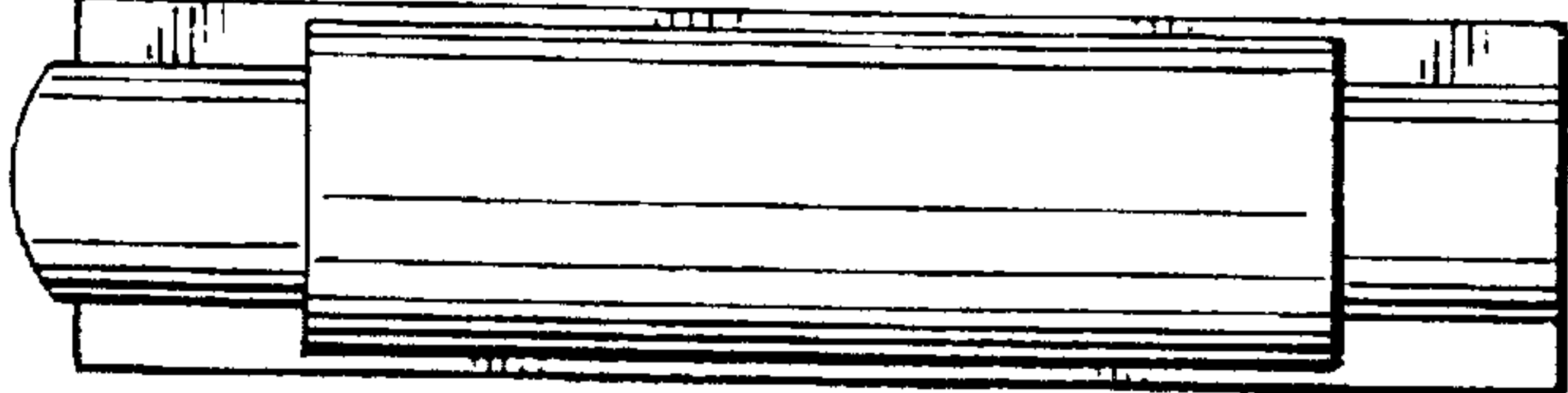


FIG. 4