



US00D396306S

United States Patent [19]
DiGiorgio

[11] **Patent Number:** **Des. 396,306**
[45] **Date of Patent:** ****Jul. 21, 1998**

[54] **WINDOW SILL COMPONENT**

D. 345,429 3/1994 Bancroft D25/119
4,793,114 12/1988 Pacca D25/119

[75] **Inventor:** **Tony DiGiorgio, Woodbridge, Canada**

Primary Examiner—Doris Clark

[73] **Assignee:** **Dominion Plastics Inc., Woodbridge, Canada**

[57] **CLAIM**

[**] **Term:** **14 Years**

The ornamental design for a window sill component, as shown and described.

[21] **Appl. No.:** **71,260**

DESCRIPTION

[22] **Filed:** **Jul. 8, 1997**

[51] **LOC (6) Cl.** **25-01**

FIG. 1 is a perspective view of the window sill component; and,

[52] **U.S. Cl.** **D25/125**

[58] **Field of Search** D25/52, 60, 119-125;
49/504, DIG. 1, DIG. 2; 52/204.5

FIG. 2 is an end view of the window sill component.

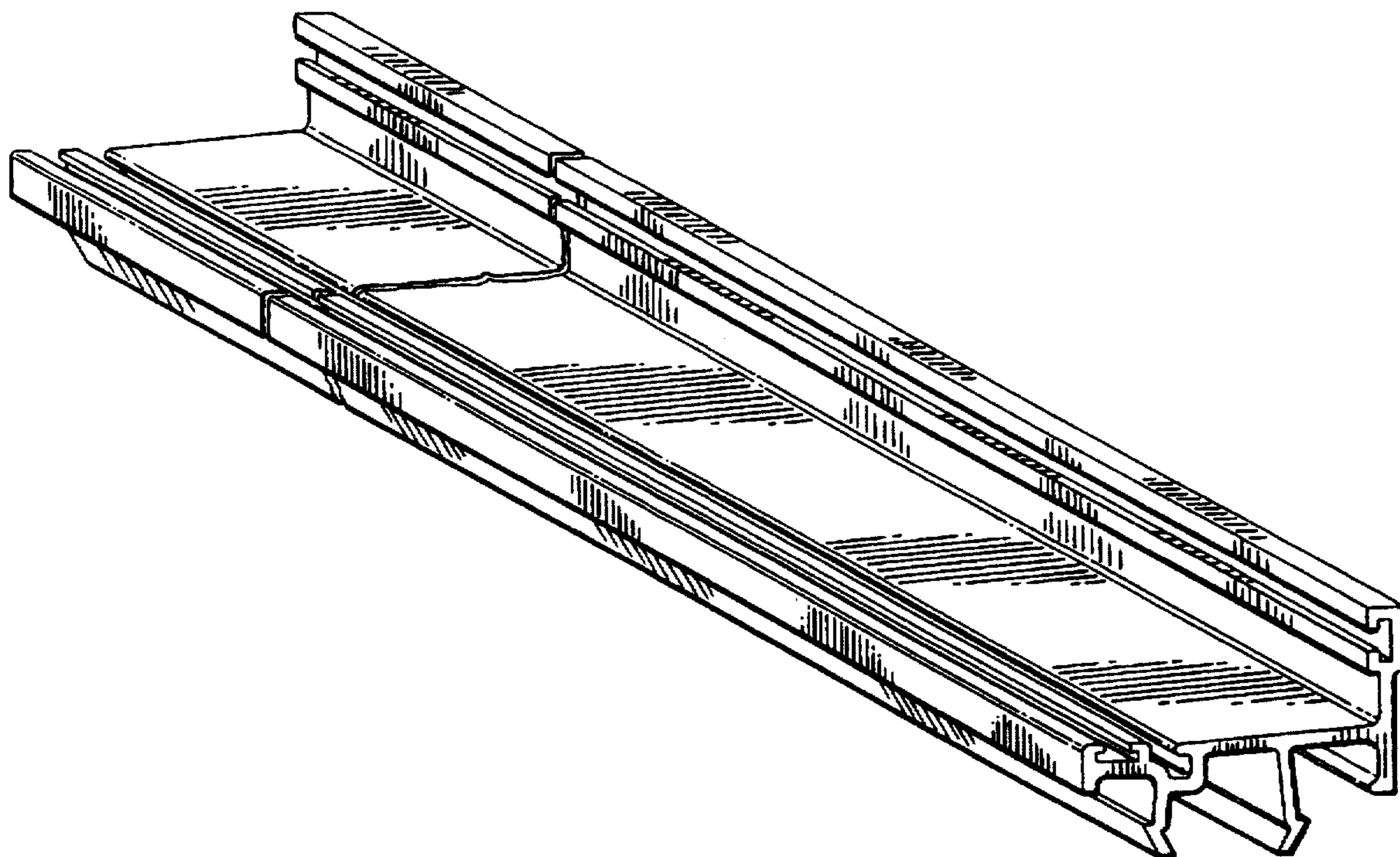
The window sill component in FIG. 1 is broken away to indicate indefinite length.

[56] **References Cited**

U.S. PATENT DOCUMENTS

D. 286,195 10/1986 Bancroft D25/125

1 Claim, 1 Drawing Sheet



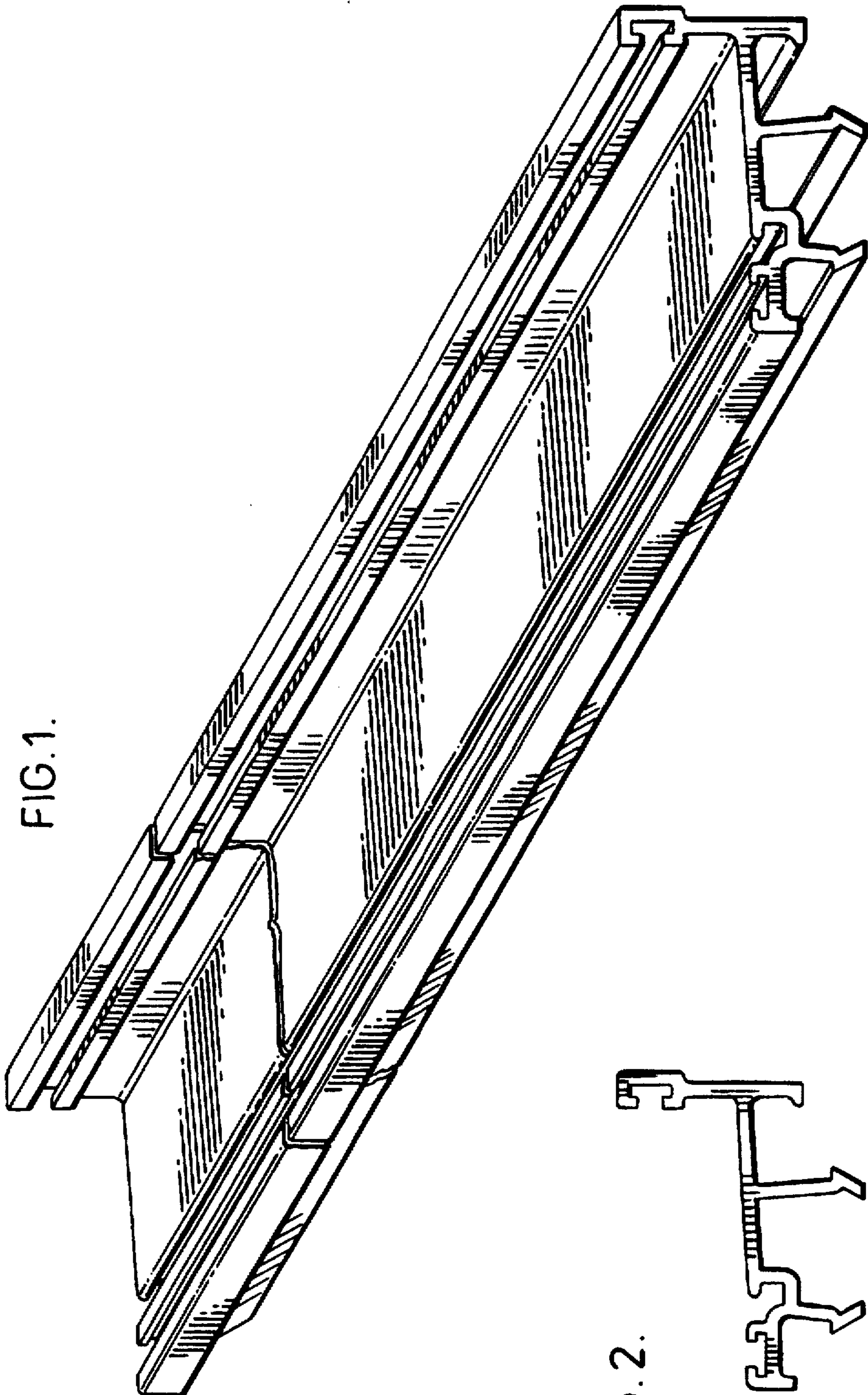


FIG. 1.

FIG. 2.