



US00D396300S

**United States Patent** [19]  
**Grimaldi**

[11] **Patent Number:** **Des. 396,300**  
[45] **Date of Patent:** **\*\*Jul. 21, 1998**

[54] **DOOR ASSEMBLY**

[75] **Inventor:** **Joel A. Grimaldi**, Pittsford, N.Y.

[73] **Assignee:** **Rochester Custom Metal, Inc.**,  
Honeoye, N.Y.

[\*\*] **Term:** **14 Years**

[21] **Appl. No.:** **74,448**

[22] **Filed:** **Jul. 31, 1997**

[51] **LOC (6) Cl.** ..... **25-02**

[52] **U.S. Cl.** ..... **D25/48**

[58] **Field of Search** ..... **D25/48; 52/205,**  
**52/455-458; 49/501, DIG. 2**

[56] **References Cited**

**U.S. PATENT DOCUMENTS**

D. 244,858	6/1977	Bolender	.....	D25/48
3,531,577	9/1970	Carlinton	.....	49/501
4,098,025	7/1978	Stock et al.	.....	49/501

5,417,029 5/1995 Hugus et al. .... 49/501

*Primary Examiner*—Doris Clark  
*Attorney, Agent, or Firm*—Trapani & Molldrem

[57] **CLAIM**

The ornamental design for a door assembly, as shown and described.

**DESCRIPTION**

FIG. 1 is a perspective view of a door assembly showing my new design;

FIG. 2 is a rear elevation view thereof;

FIG. 3 is a right side elevation view thereof;

FIG. 4 is a left side elevation view thereof;

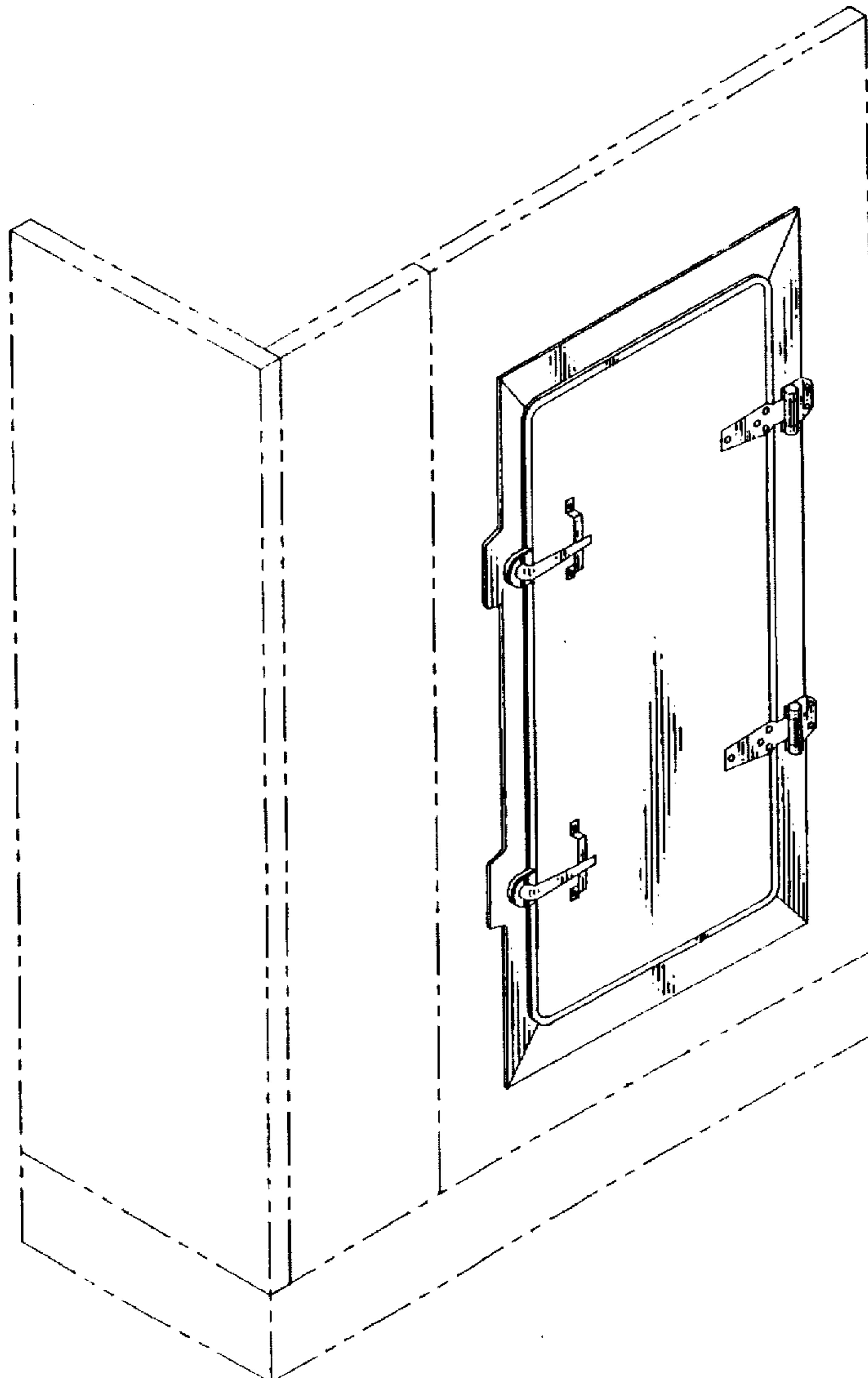
FIG. 5 is a front elevation view thereof;

FIG. 6 is a top plan view thereof; and,

FIG. 7 is a bottom plan view thereof.

The broken lines showing a wall is for illustrative purposes only, and forms no part of the claimed design.

**1 Claim, 3 Drawing Sheets**



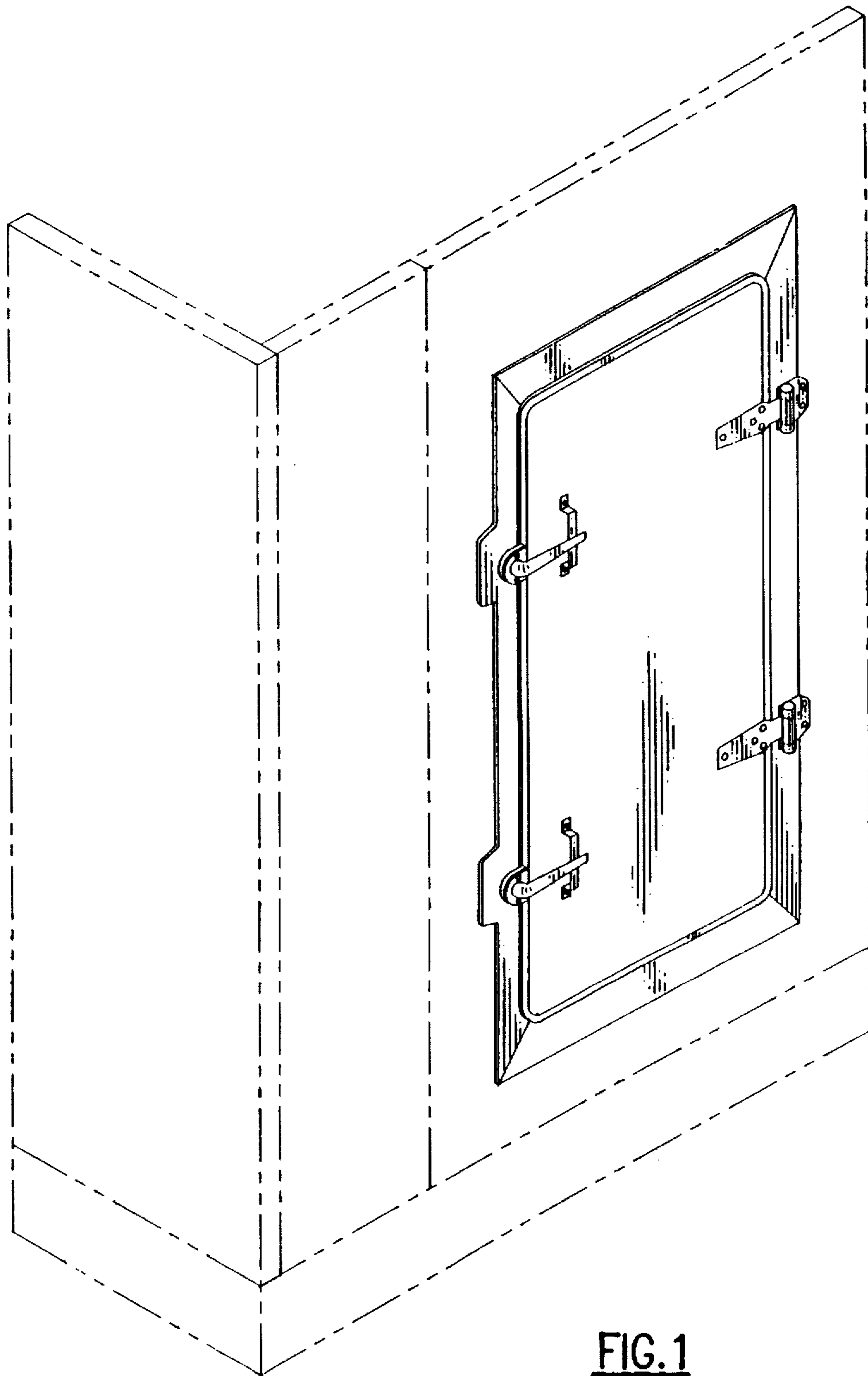


FIG. 1

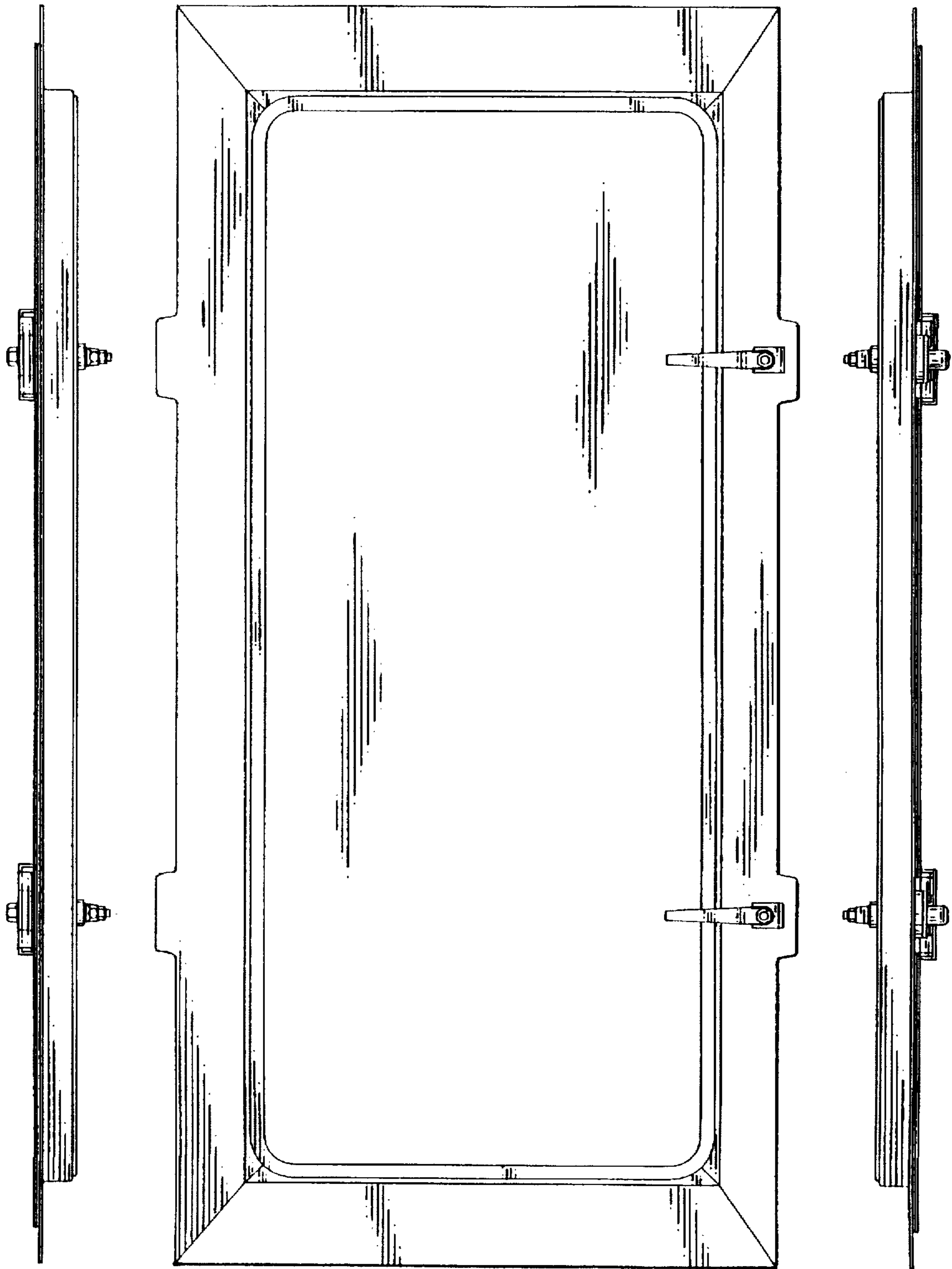


FIG. 4

FIG. 2

FIG. 3

