



US00D396291S

United States Patent [19] Bakes

[11] Patent Number: **Des. 396,291**
[45] Date of Patent: ****Jul. 21, 1998**

[54] **SHOULDER ABDUCTION PILLOW**

[75] Inventor: **Robert Timothy Bakes**, East Hawthorn, Australia

[73] Assignee: **Orthotic Consultants Asia Pacific Pty. Ltd.**, Fitzroy, Australia

[**] Term: **14 Years**

[21] Appl. No.: **56,868**

[22] Filed: **Jul. 10, 1996**

[30] **Foreign Application Priority Data**

Jan. 12, 1996 [AU] Australia 90/96

[51] LOC (6) Cl. **24-04**

[52] U.S. Cl. **D24/190; D6/601**

[58] Field of Search D24/190; 602/20; D6/601; 5/646, 636, 630, 922; D21/191

[56] **References Cited**

U.S. PATENT DOCUMENTS

D. 332,663 1/1993 Liszewski D24/190

D. 338,587 8/1993 Hamish D24/190
D. 341,053 11/1993 Hassel et al. D24/190
D. 367,535 2/1996 Stenberg D24/190
4,796,315 1/1989 Crew 5/630
4,896,660 1/1990 Scott 602/20

Primary Examiner—Philips S. Hyder
Attorney, Agent, or Firm—Edwin D. Schindler

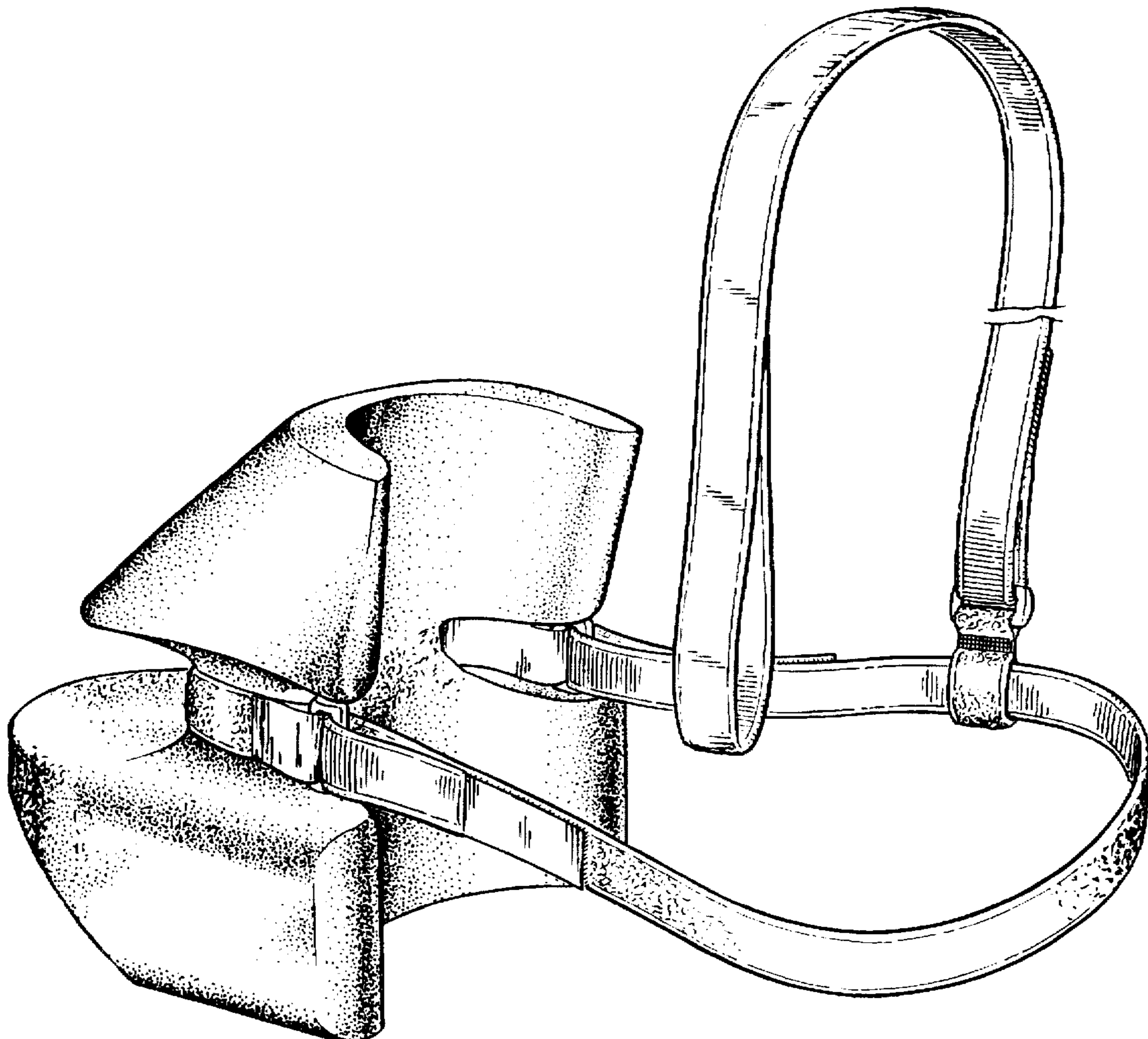
[57] **CLAIM**

The ornamental design for a shoulder abduction pillow, as shown and described.

DESCRIPTION

FIG. 1 is a front prospective view of a shoulder abduction pillow showing my new design;
FIG. 2 is a front elevational view thereof, the rear view being a mirror image thereof;
FIG. 3 is a right side elevational view thereof;
FIG. 4 is a bottom plan view thereof;
FIG. 5 is a left side elevational view thereof; and,
FIG. 6 is a top plan view thereof.

1 Claim, 6 Drawing Sheets



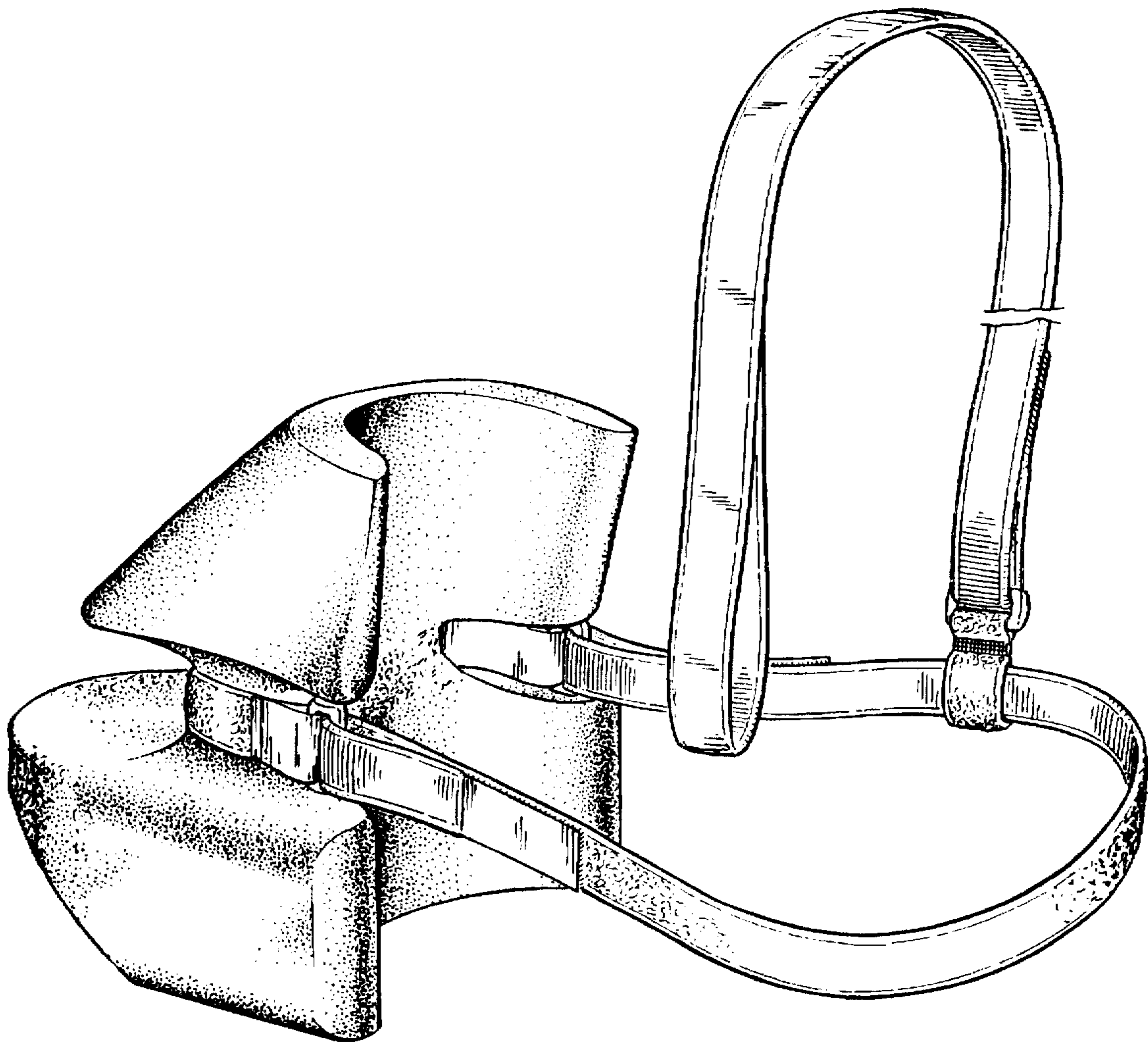


FIG. 1.

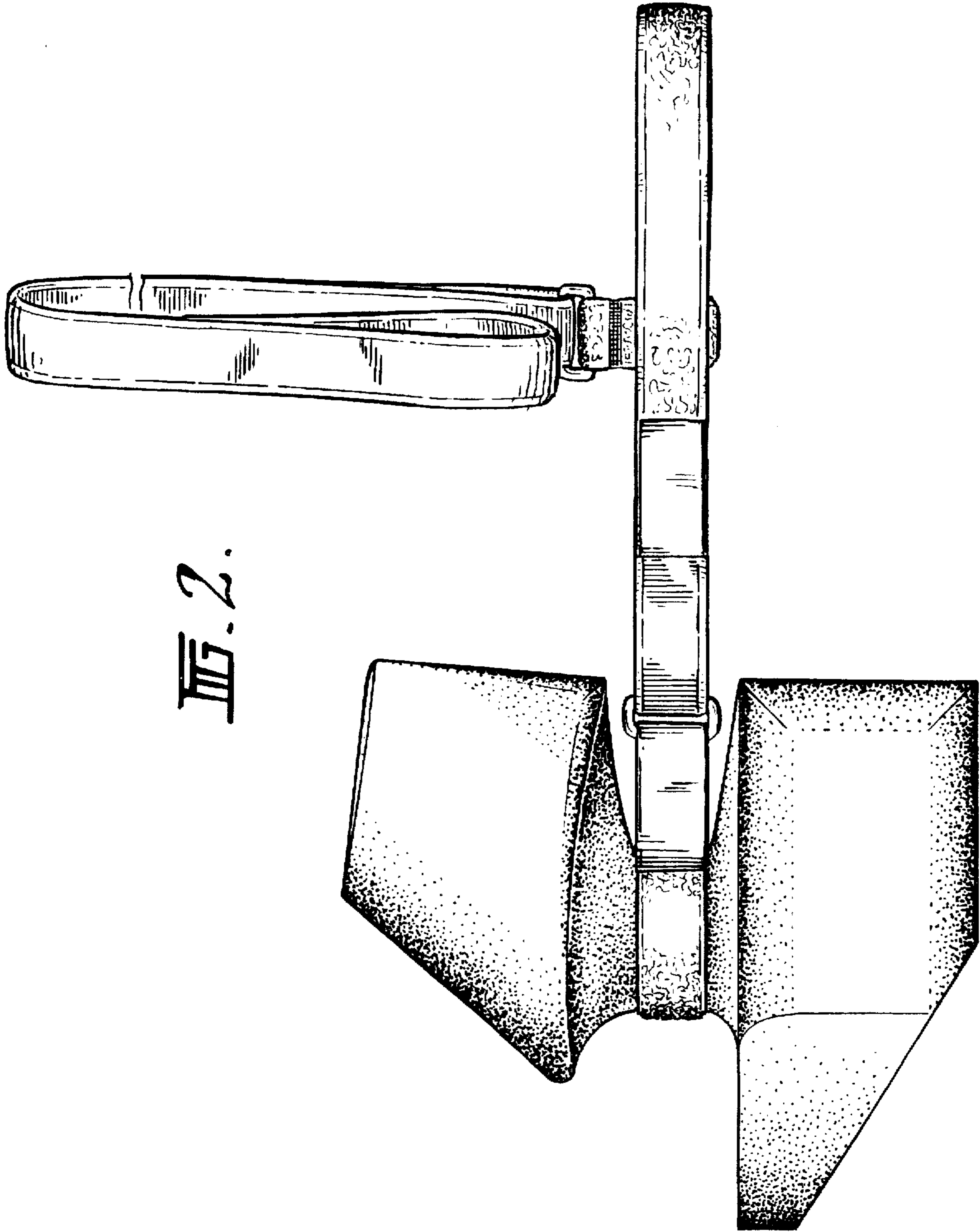


FIG. 2.

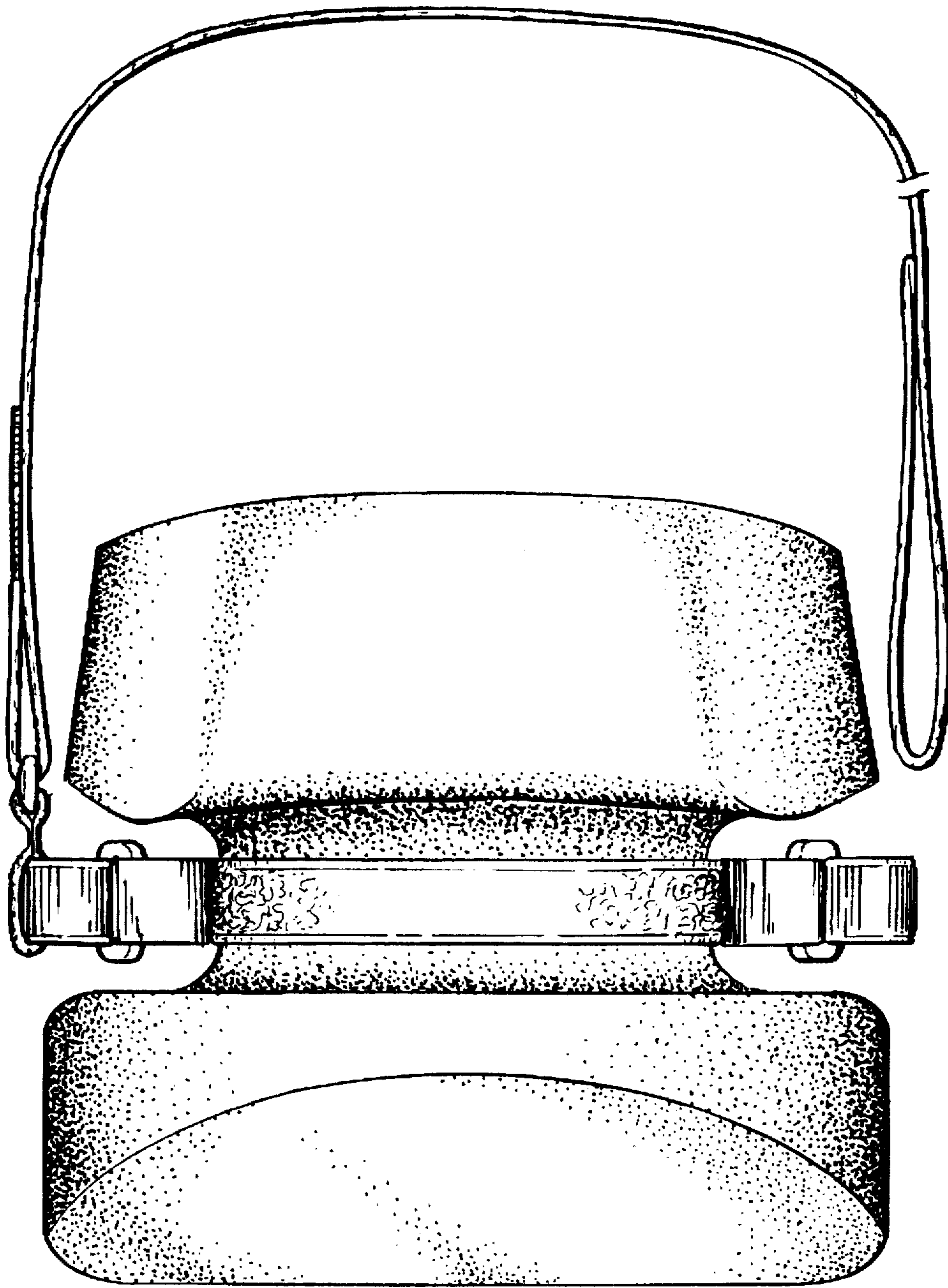
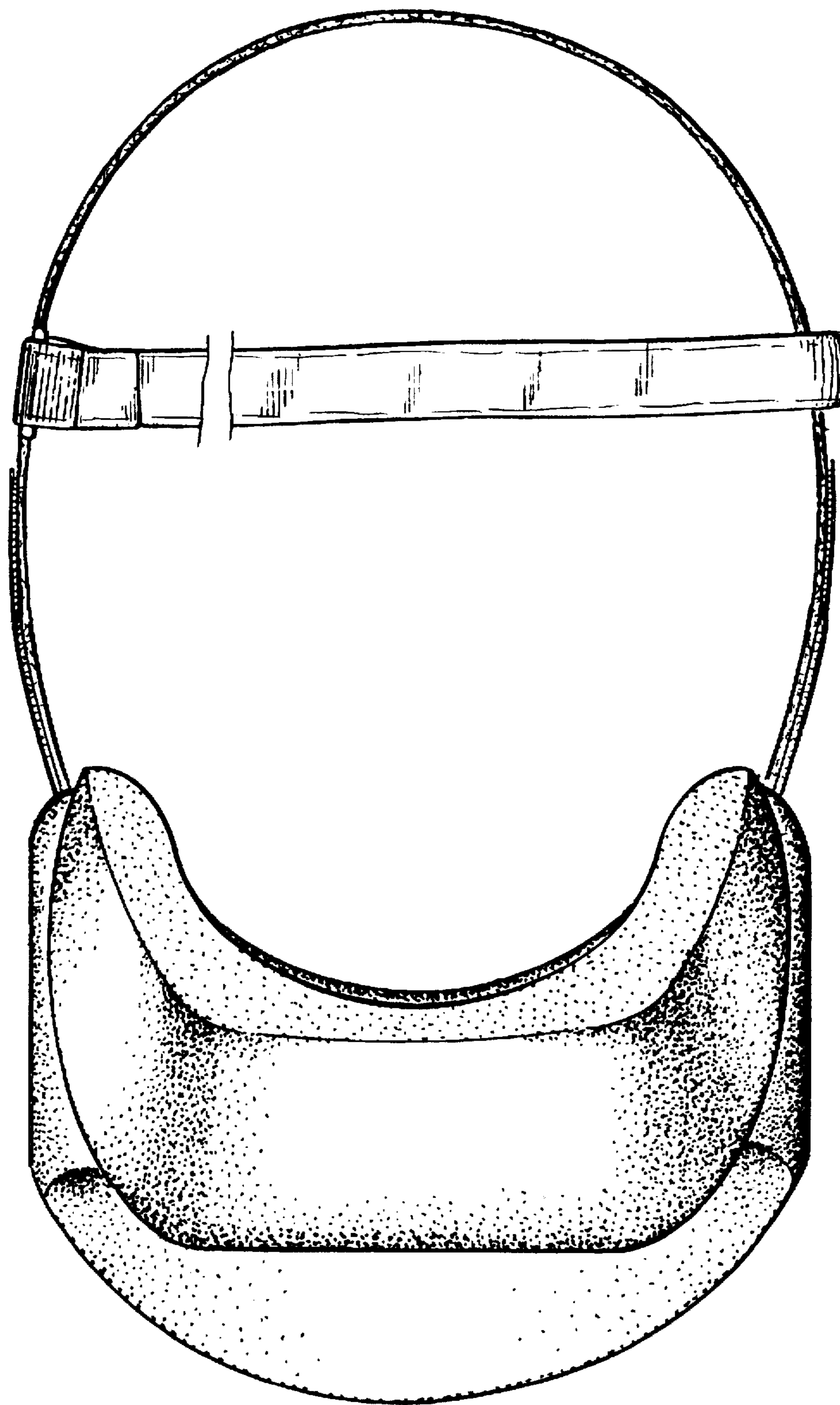
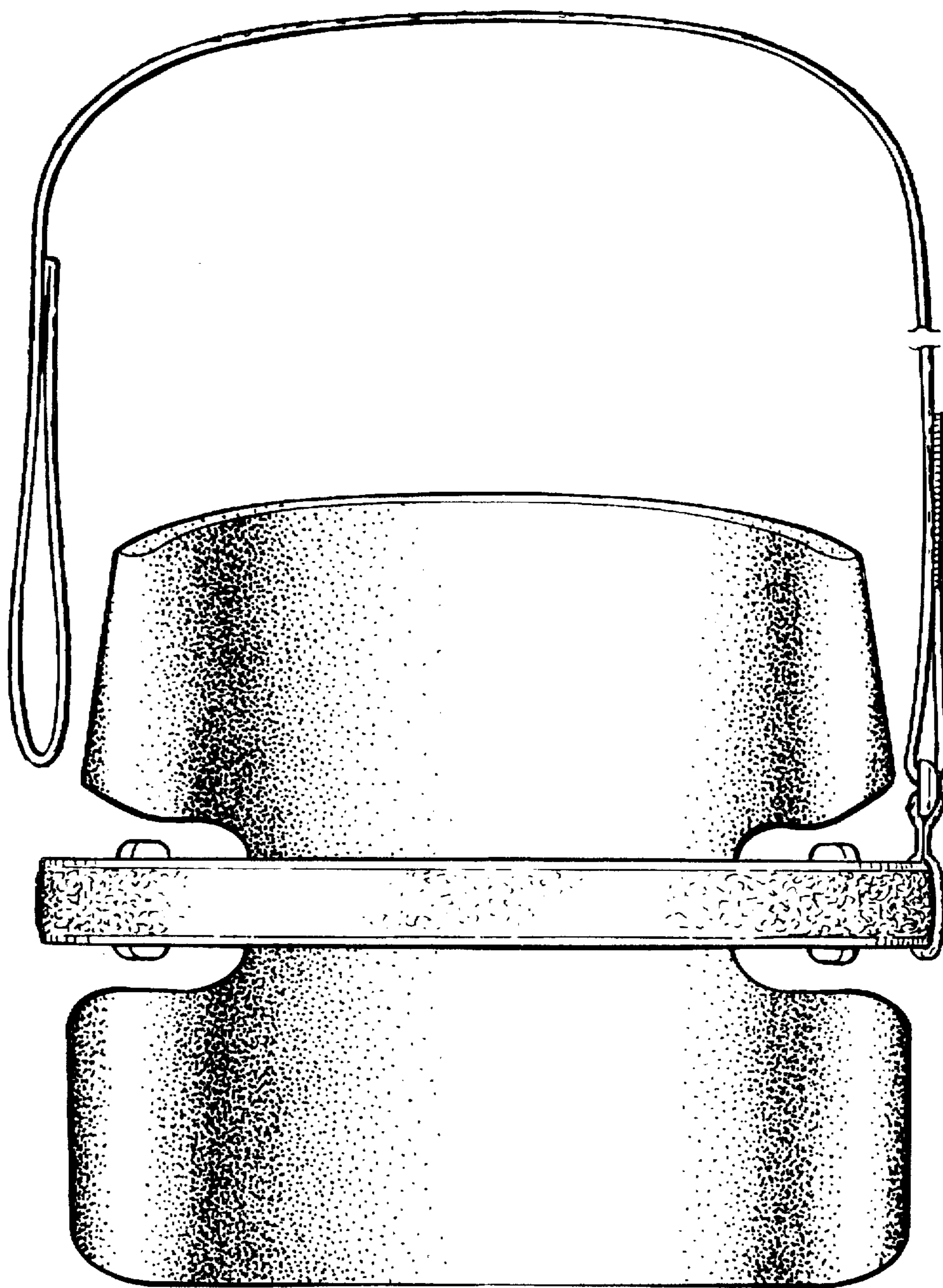


FIG. 3.

III.4.





III. 5.

FIG. 6.

