



US00D396290S

United States Patent [19]

Myers et al.

[11] Patent Number: **Des. 396,290**

[45] Date of Patent: ****Jul. 21, 1998**

[54] **ELECTROMYOGRAM MUSCLE MONITORING DEVICE**

5,300,096 4/1994 Hall et al. 607/48
5,549,656 8/1996 Reiss 607/48

[76] Inventors: **Harold Myers**, 5637 McLynn Avenue, Montreal, Que., Canada, H3X 2P2;
Nigel Verity, 6 Rocky Creek Trail, Ormond Beach, Fla. 32174

Primary Examiner—Stella Reid

[57] CLAIM

The ornamental design for an electromyogram muscle monitoring device, as shown and described.

[**] Term: **14 Years**

DESCRIPTION

[21] Appl. No.: **67,799**

FIG. 1 is a top plan view of a first embodiment of an electromyogram muscle monitoring device, showing our new design;

[22] Filed: **Mar. 12, 1997**

FIG. 2 is a bottom view of FIG. 1;

[51] **LOC (6) Cl.** **24-01**

FIG. 3 is a back view of FIG. 1;

[52] **U.S. Cl.** **D24/186**

FIG. 4 is a front view of FIG. 1;

[58] **Field of Search** D24/186; 128/733, 128/774, 905; 607/48; 600/546, 554, 587

FIG. 5 is a right side view of FIG. 1;

FIG. 6 is a left side view of FIG. 1;

[56] References Cited

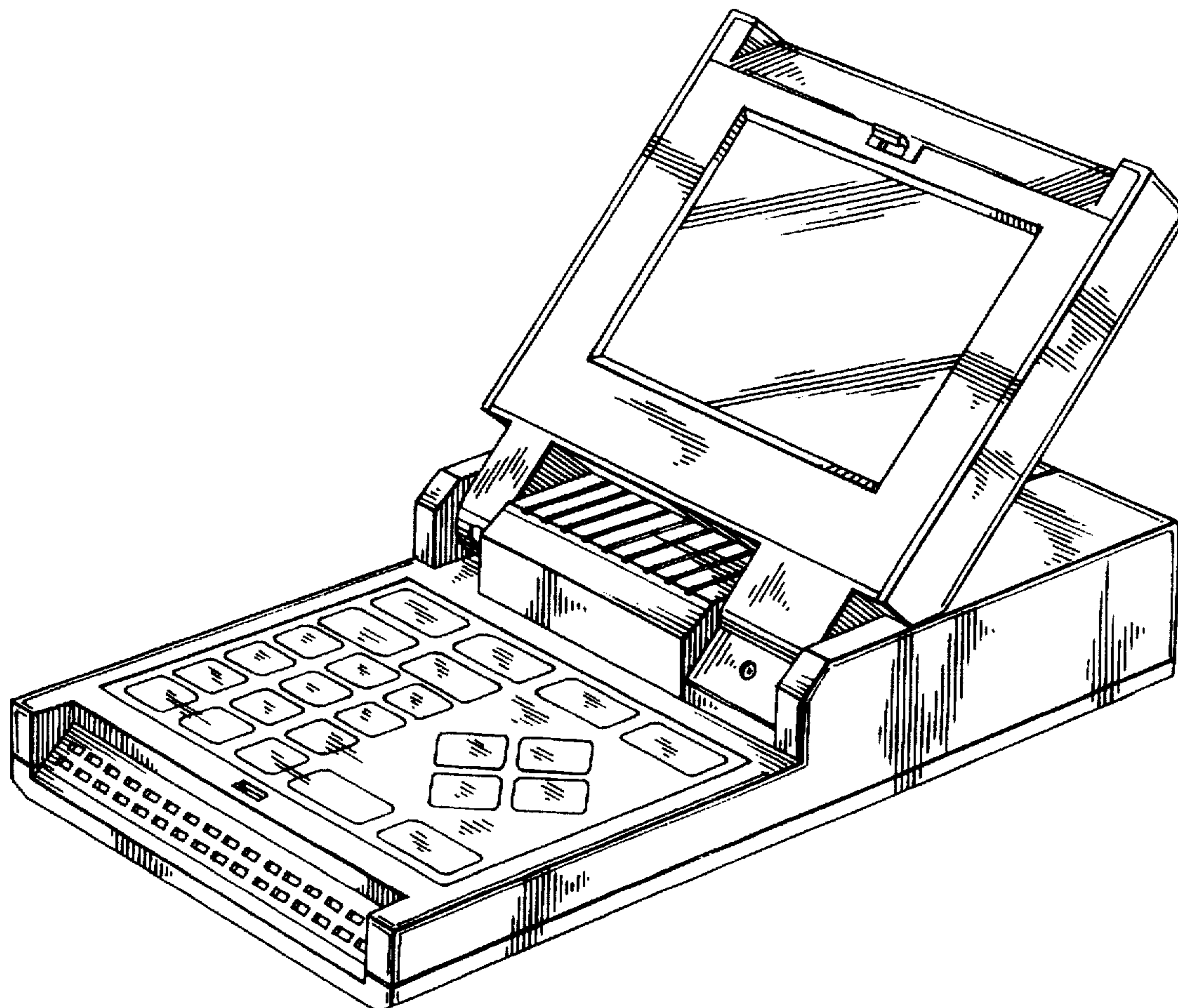
U.S. PATENT DOCUMENTS

3,641,993	2/1972	Gaarder et al.	600/546
3,916,876	11/1975	Freeman	600/546
4,807,642	2/1989	Brown	600/546
4,811,742	3/1989	Hassel et al.	600/546
5,163,440	11/1992	DeLuca et al.	600/546

FIG. 7 is a perspective view of FIG. 1 in open condition; and,

FIG. 8 is a perspective view of a second embodiment of the electromyogram muscle monitoring device in open condition, with the only difference residing in the size of the display screen.

1 Claim, 4 Drawing Sheets



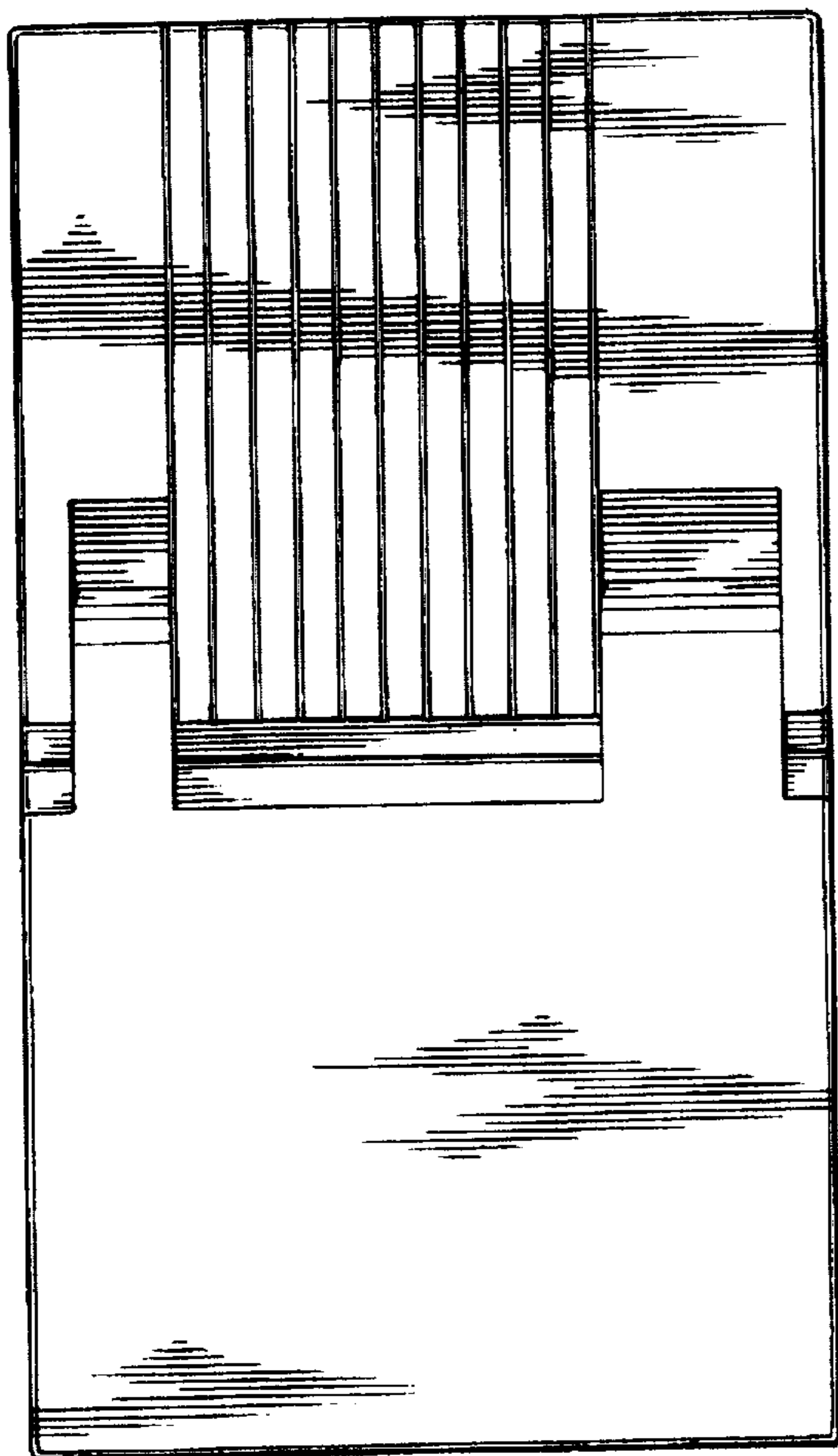


FIG. 1

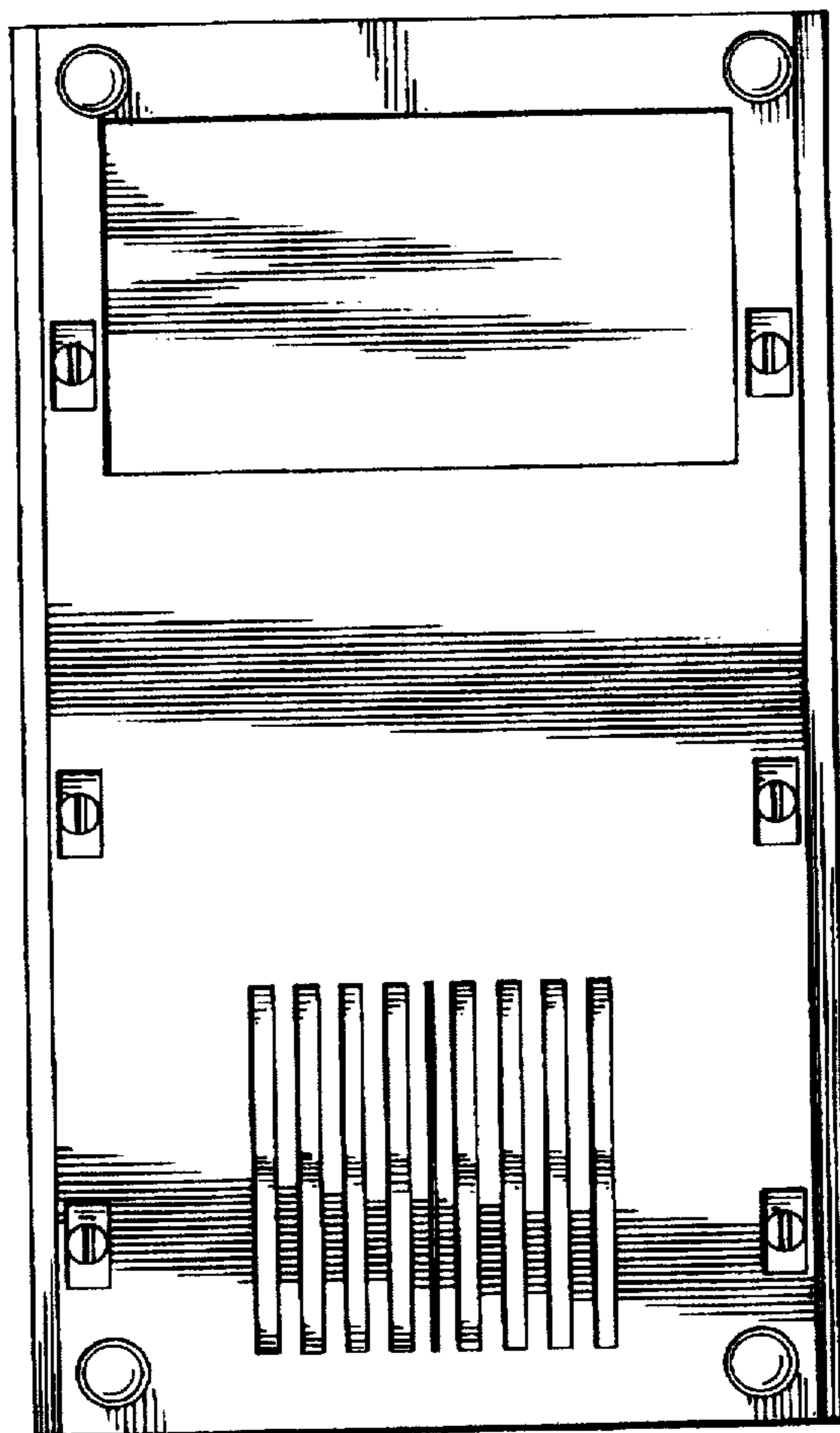


FIG. 2

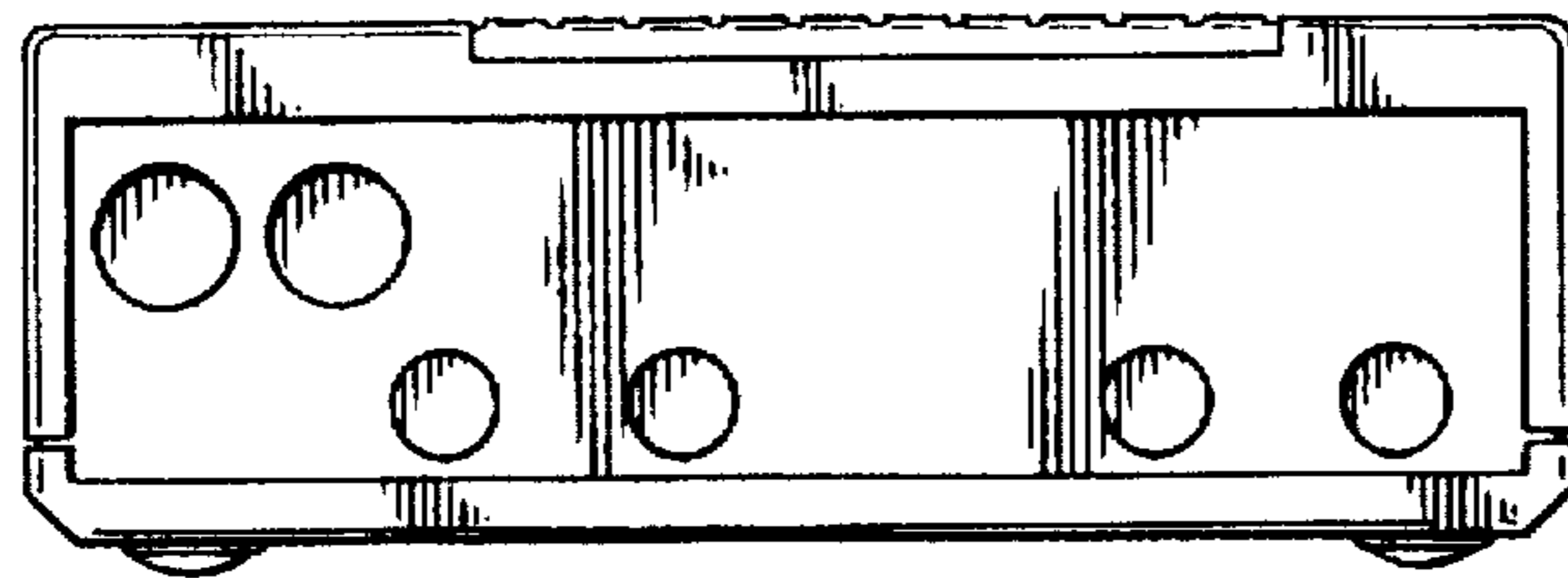


FIG. 3

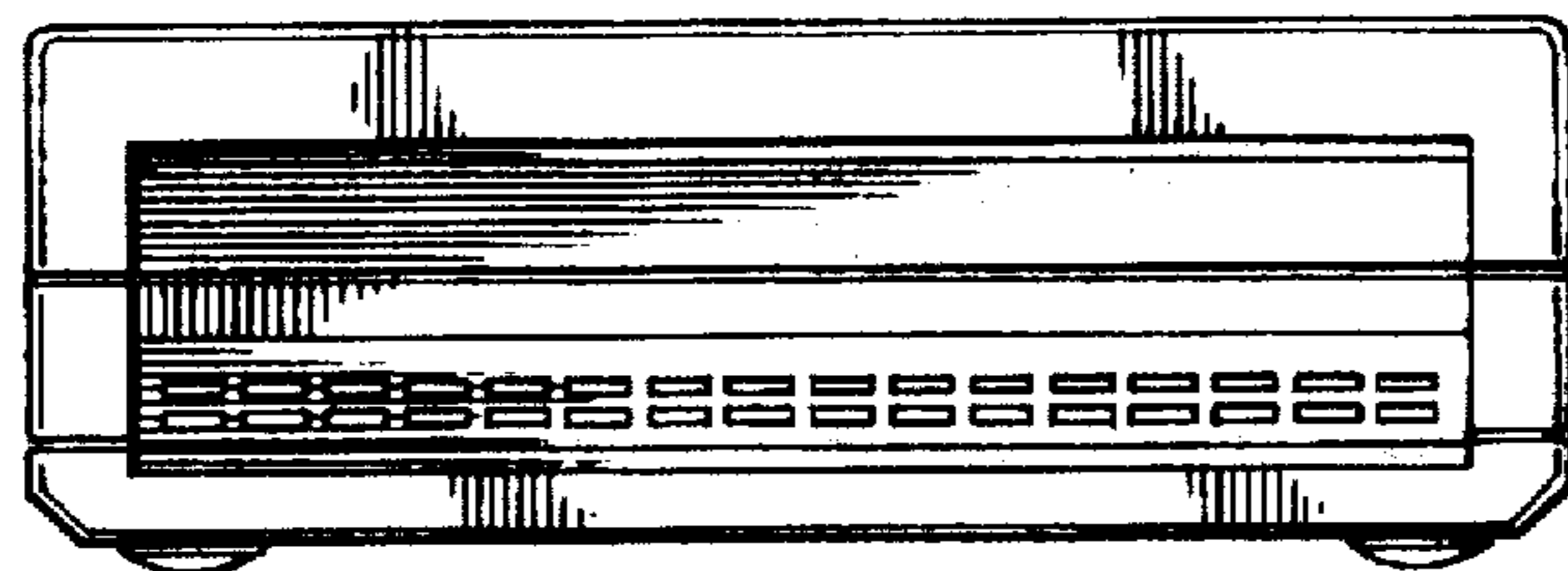


FIG. 4

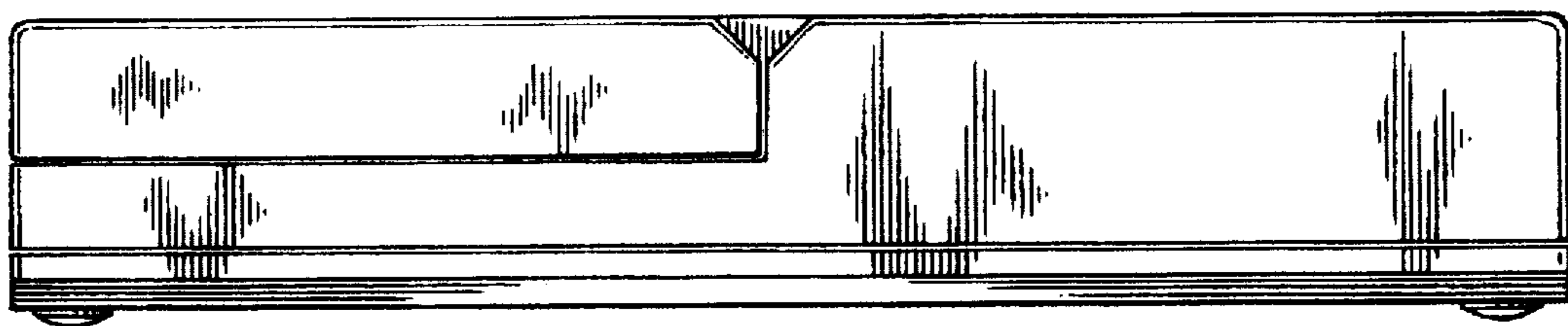


FIG. 5

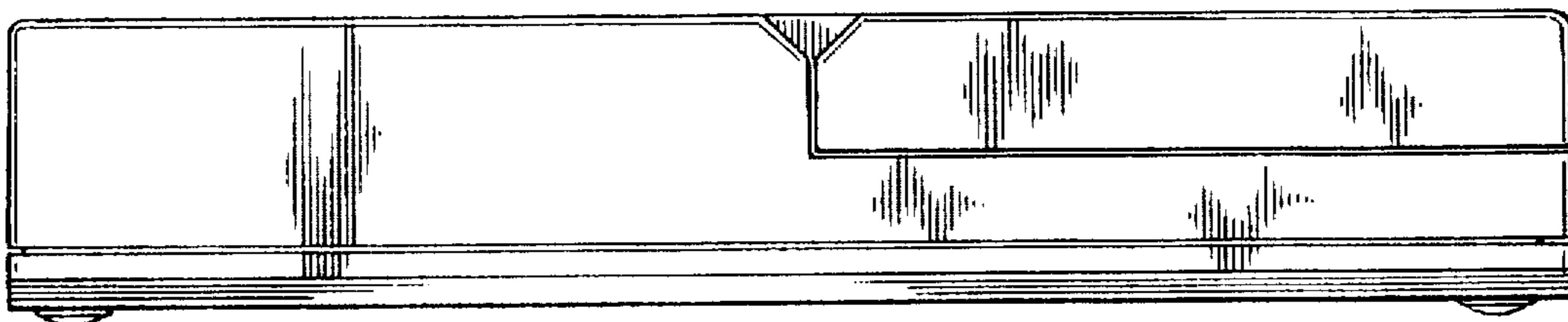


FIG. 6

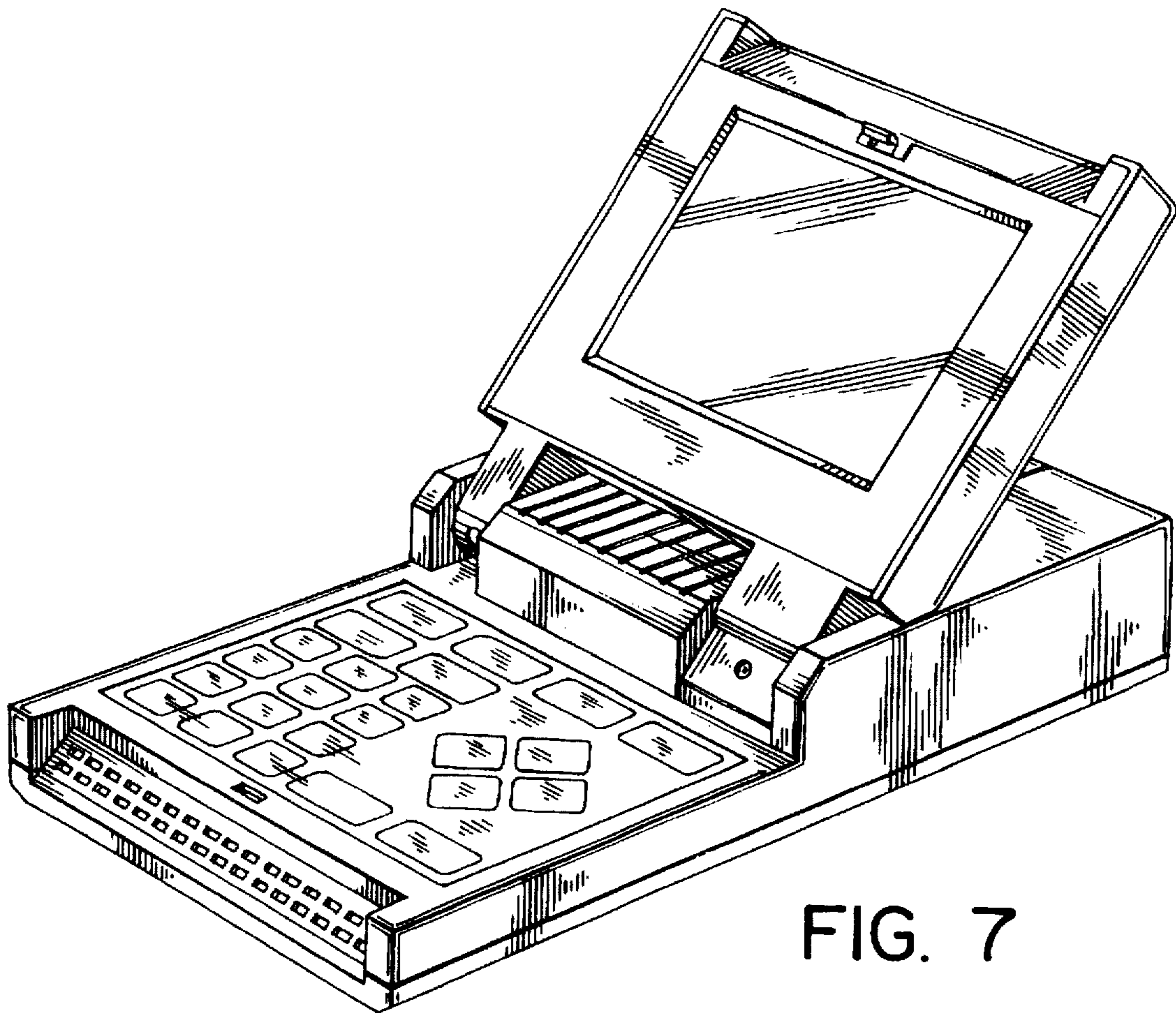


FIG. 7

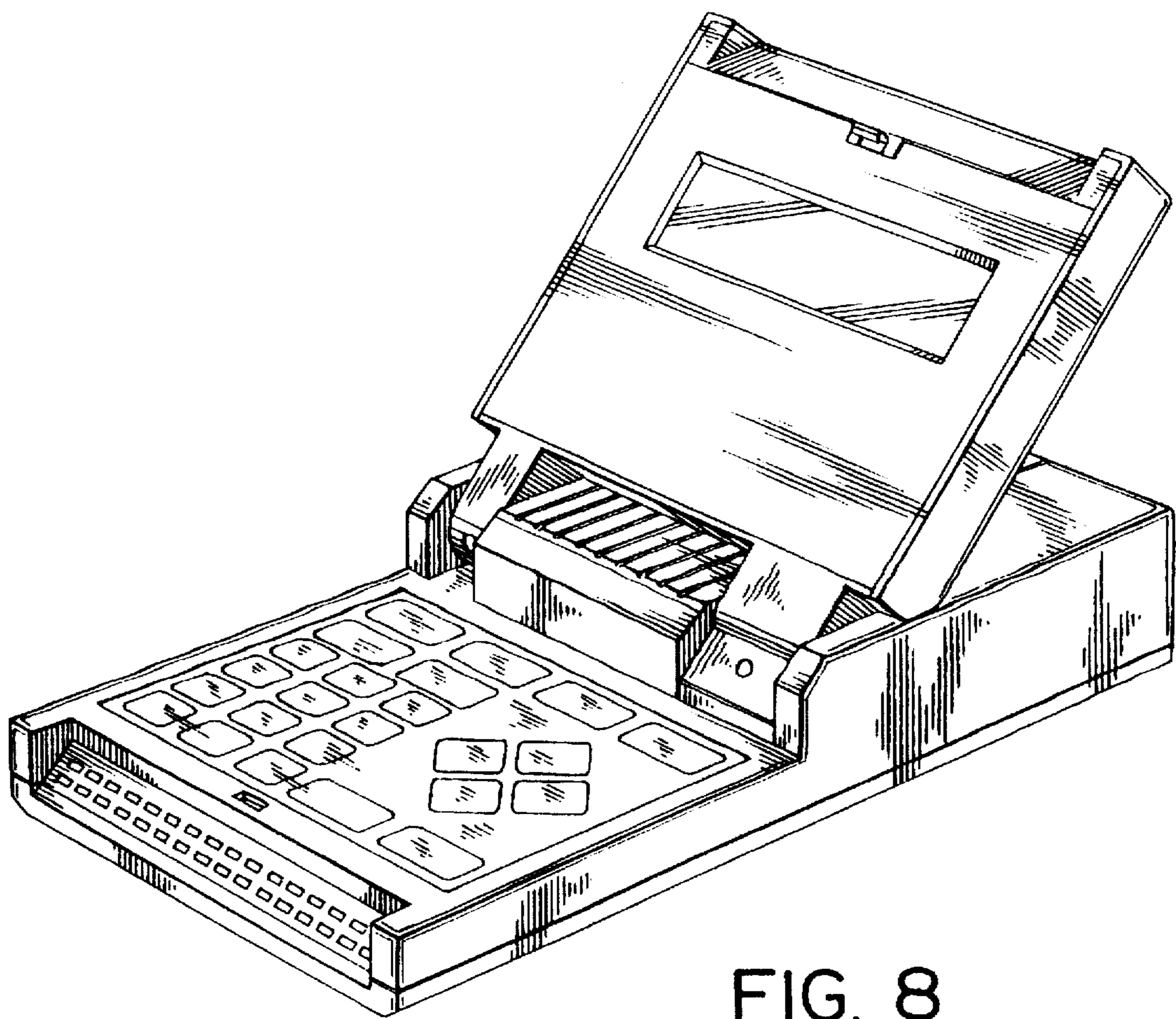


FIG. 8