



US00D396288S

# United States Patent [19] Samuel

[11] Patent Number: Des. 396,288

[45] Date of Patent: \*\*Jul. 21, 1998

[54] TONGUE CLEANER

[76] Inventor: Bertil Samuel, 1268 Pint Circle Rd.,  
Longs, S.C. 29568

[\*\*] Term: 14 Years

[21] Appl. No.: 75,835

[22] Filed: Aug. 19, 1997

[51] LOC (6) Cl. .... 24-02

[52] U.S. Cl. .... D24/147

[58] Field of Search ..... D24/147; 606/161;  
D4/108, 104, 105

[56] **References Cited**

**U.S. PATENT DOCUMENTS**

D. 258,143	2/1981	Flick	.....	D24/147
D. 265,270	7/1982	McCarty	.....	D4/18
D. 283,952	5/1986	Berkowitz	.....	D4/108
D. 354,624	1/1995	Gupta	.....	D4/108
D. 377,417	1/1997	Gupta	.....	D4/108
1,891,864	12/1932	Barrett	.....	606/161
2,651,068	9/1953	Seko	.....	15/111
3,254,356	6/1966	Yao et al.	.....	15/111
4,488,327	12/1984	Snider	.....	15/111
4,610,043	9/1986	Vežjak	.....	606/161
5,226,197	7/1993	Nack et al.	.....	15/111

Primary Examiner—Doris Clark  
Attorney, Agent, or Firm—John D. Gugliotta

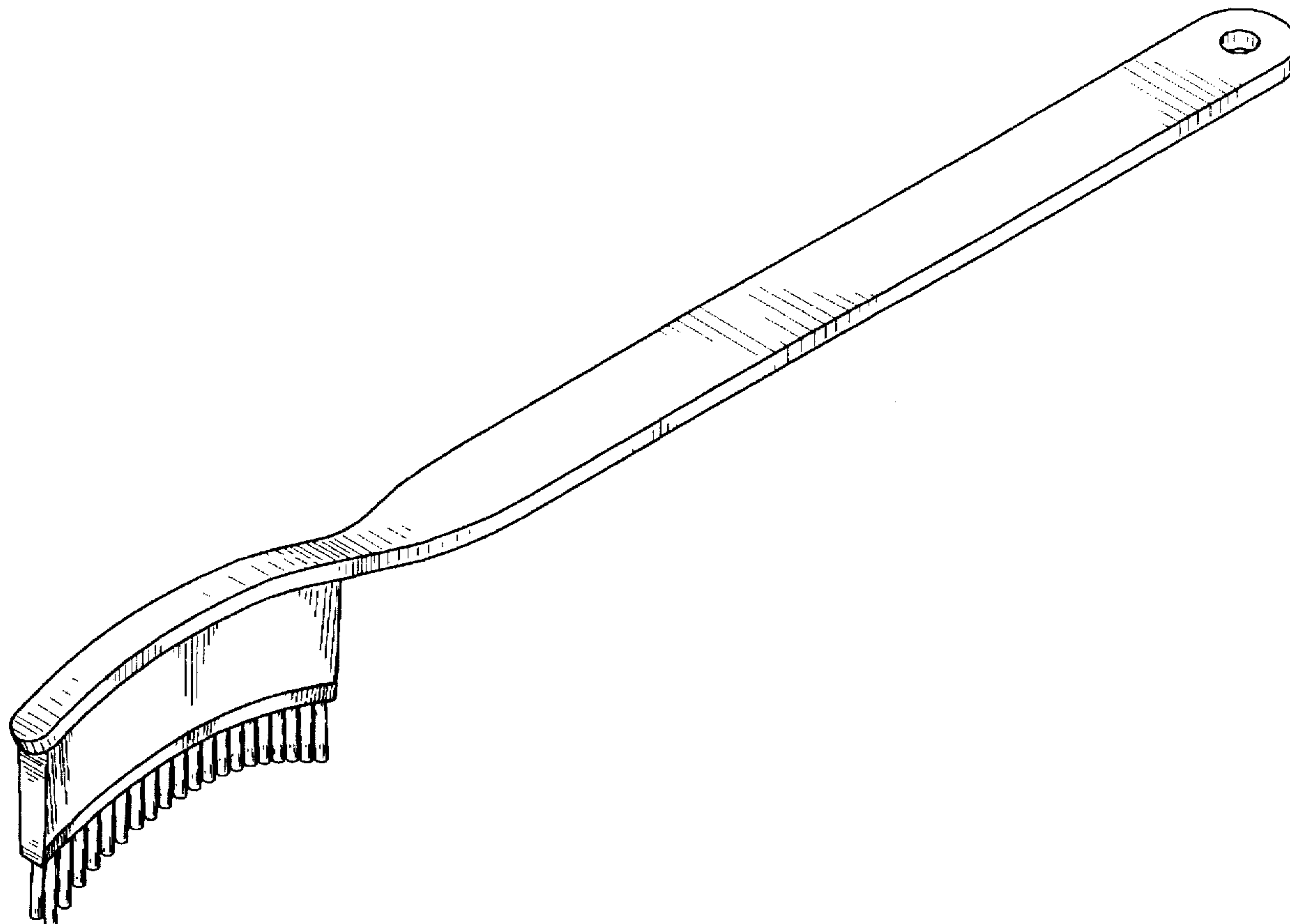
[57] **CLAIM**

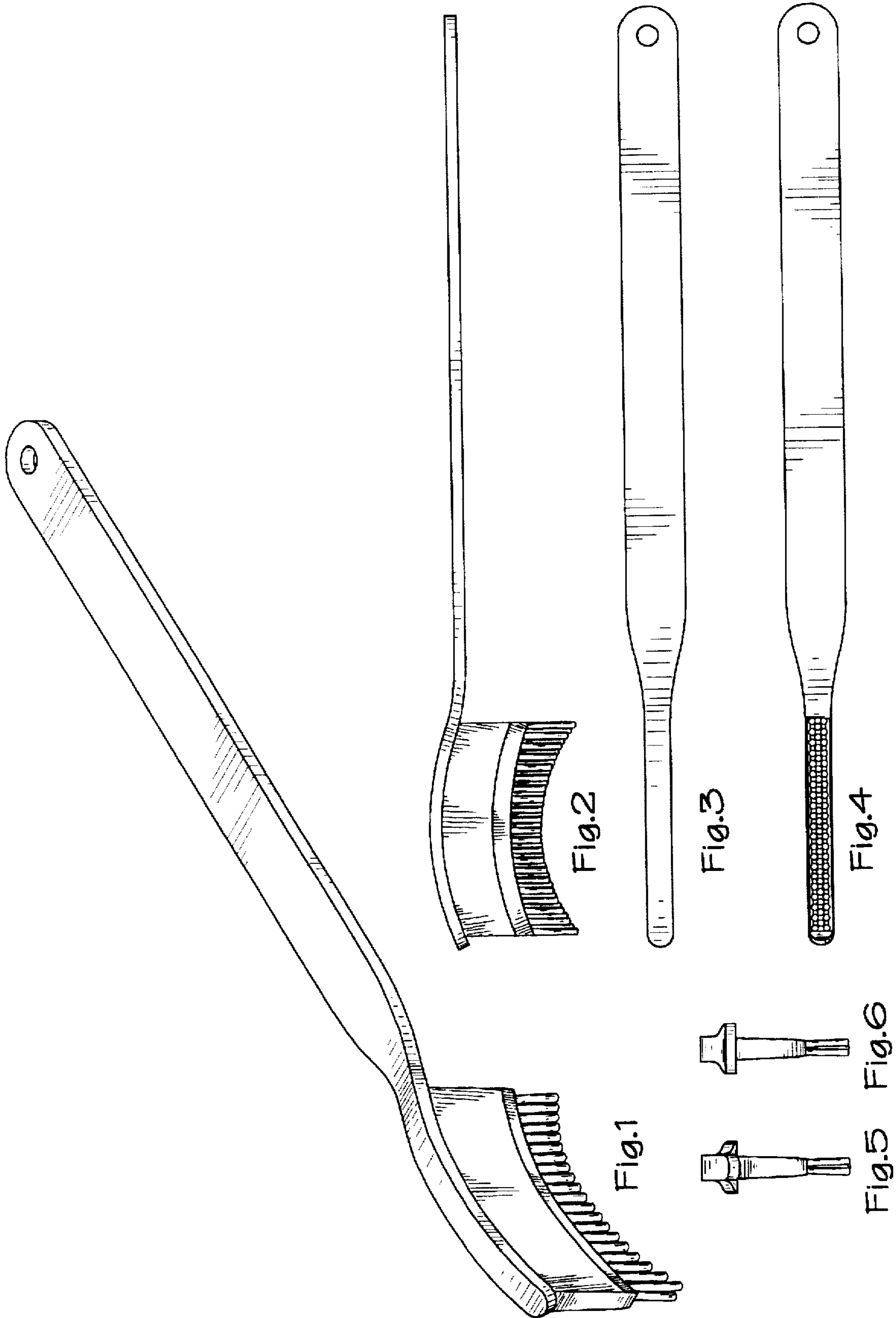
The ornamental design for a tongue cleaner, as shown and described.

**DESCRIPTION**

FIG. 1 is a perspective view of a tongue cleaner according to a first embodiment showing my new design;  
 FIG. 2 is a left side elevational view thereof, the opposite side being a mirror image;  
 FIG. 3 is a top plan view thereof;  
 FIG. 4 is a bottom plan view thereof;  
 FIG. 5 is a front elevational view thereof;  
 FIG. 6 is a rear elevational view;  
 FIG. 7 is a perspective view of a tongue cleaner according to a second embodiment showing my new design;  
 FIG. 8 is a left side elevational view thereof, the opposite side being a mirror image;  
 FIG. 9 is a top plan view thereof;  
 FIG. 10 is a bottom plan view thereof;  
 FIG. 11 is a front elevational view thereof; and,  
 FIG. 12 is a rear elevational view.

**1 Claim, 2 Drawing Sheets**





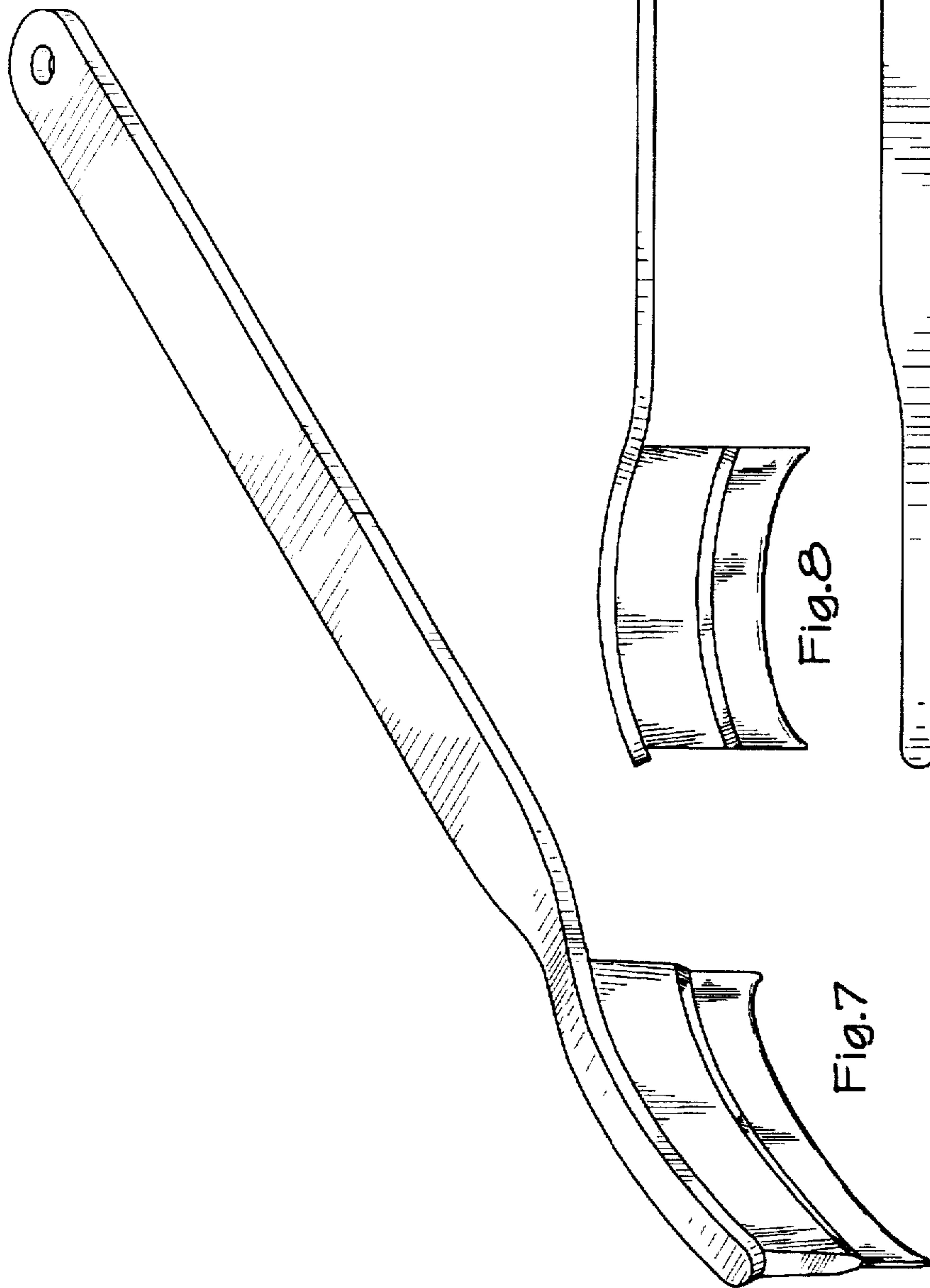


Fig. 7

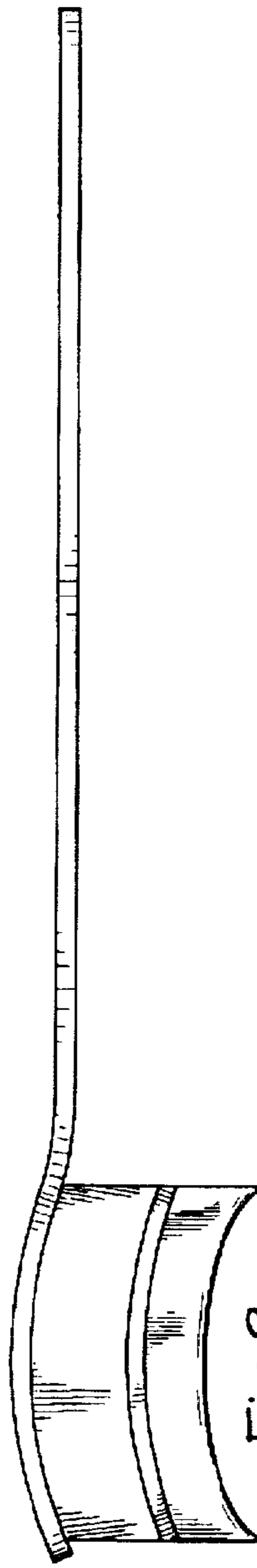


Fig. 8

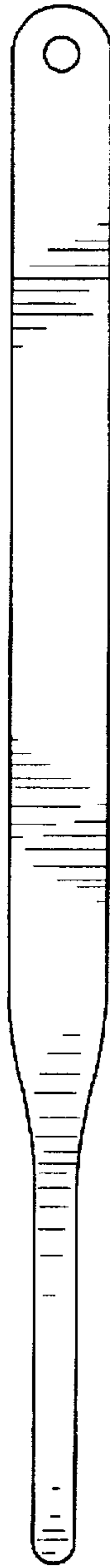


Fig. 9

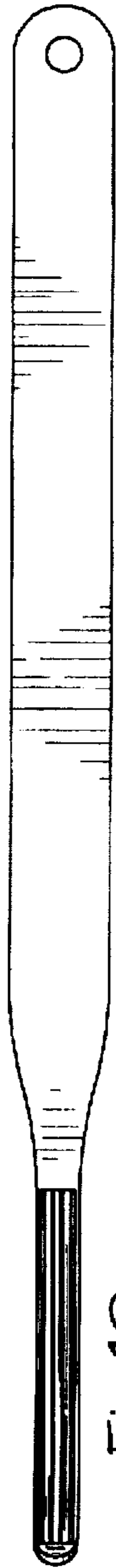


Fig. 10

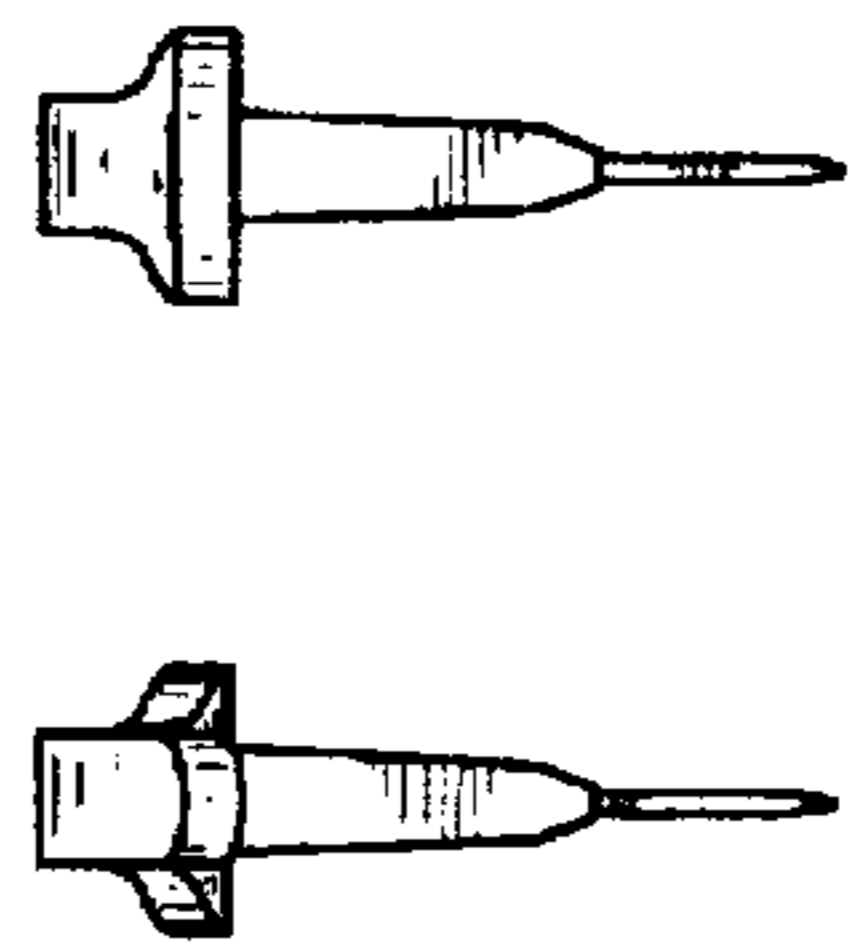


Fig. 11 Fig. 12