



US00D396285S

United States Patent [19]

Koros et al.

[11] Patent Number: Des. 396,285

[45] Date of Patent: **Jul. 21, 1998

[54] TWO PART CERVICAL RETRACTOR

[76] Inventors: **Tibor Koros; Gabriel Koros**, both of 610 Flinn Ave., Moorpark, Calif. 93021

[**] Term: **14 Years**

[21] Appl. No.: **31,744**

[22] Filed: **Dec. 5, 1994**

Related U.S. Application Data

[63] Continuation-in-part of Ser. No. 30,862, Nov. 10, 1994, Pat. No. Des. 369,860.

[51] LOC (6) Cl. **24-02**

[52] U.S. Cl. **D24/135**

[58] Field of Search D24/135; 600/201, 600/210, 234, 231, 217, 211, 214

[56] References Cited

U.S. PATENT DOCUMENTS

D. 361,381	8/1995	Koros et al.	D24/135
D. 369,860	5/1996	Koros et al.	D24/135
4,852,552	8/1989	Chaux	600/234 X
5,052,373	10/1991	Michelson	600/234
5,167,223	12/1992	Koros et al.	600/211 X
5,363,841	11/1994	Coker	D24/135 X

Primary Examiner—Doris Clark
Attorney, Agent, or Firm—Richard D. Slehofer

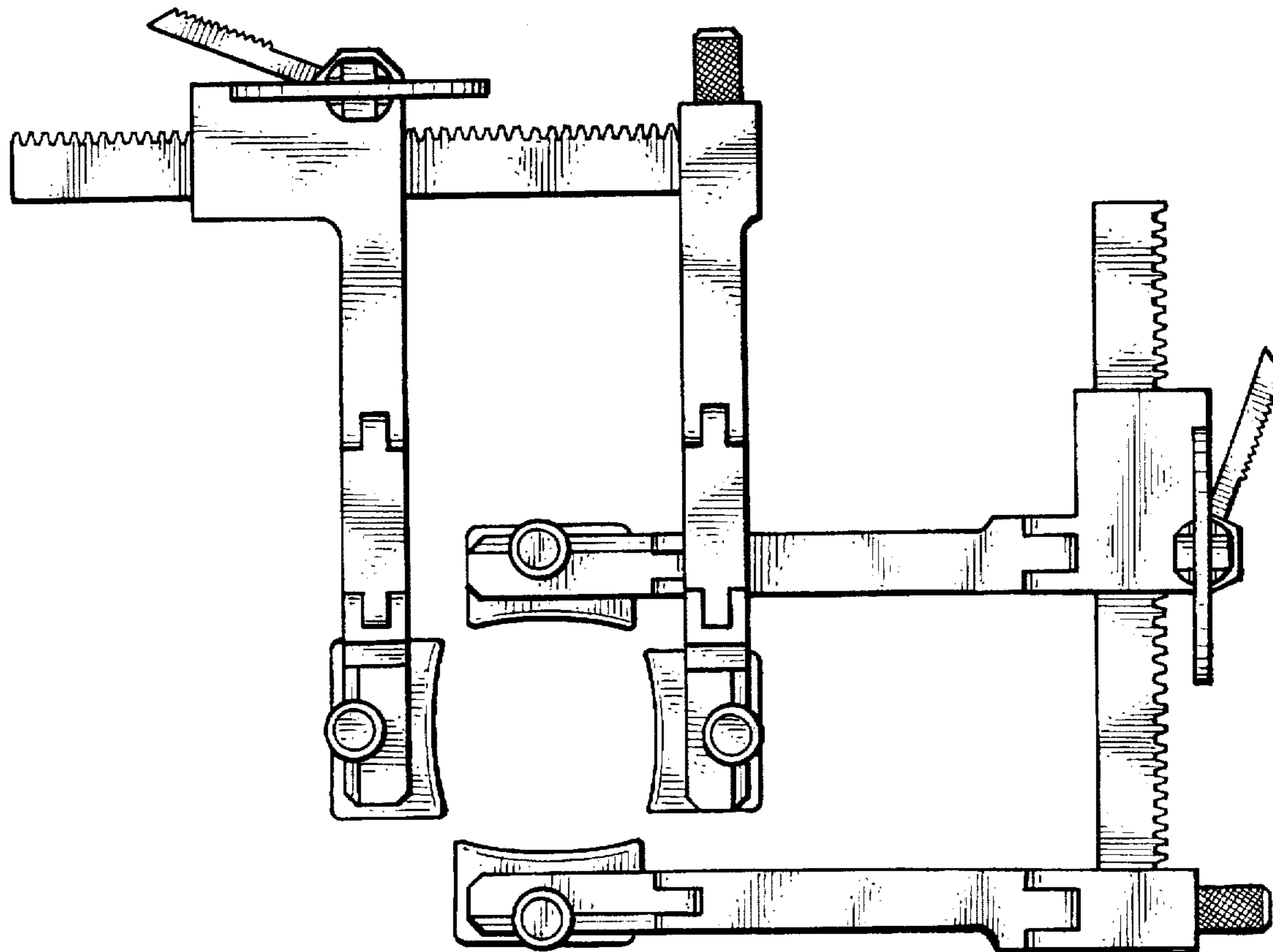
[57] CLAIM

The ornamental design for a two part cervical retractor, as shown and described.

DESCRIPTION

FIG. 1 is an enlarged left perspective view of the top portion of the two part cervical retractor;
 FIG. 2 is a top view of the two part cervical retractor;
 FIG. 3 is a front elevational view of the two part cervical retractor in FIG. 2;
 FIG. 4 is an enlarged top view of FIG. 1;
 FIG. 5 is an enlarged right view of FIG. 1;
 FIG. 6 is an enlarged left view of FIG. 1;
 FIG. 7 is an enlarged bottom view of FIG. 1;
 FIG. 8 is an enlarged front view of FIG. 1;
 FIG. 9 is an enlarged rear view of FIG. 1;
 FIG. 10 is an enlarged right perspective view of the bottom portion of the two part cervical retractor;
 FIG. 11 is an enlarged top view of FIG. 10;
 FIG. 12 is an enlarged right view of FIG. 10;
 FIG. 13 is an enlarged left view of FIG. 10;
 FIG. 14 is an enlarged bottom view of FIG. 10;
 FIG. 15 is an enlarged front view of FIG. 10;
 FIG. 16 is an enlarged rear view of FIG. 10; and
 FIG. 17 is an exploded perspective view of the two part cervical retractor.

1 Claim, 6 Drawing Sheets



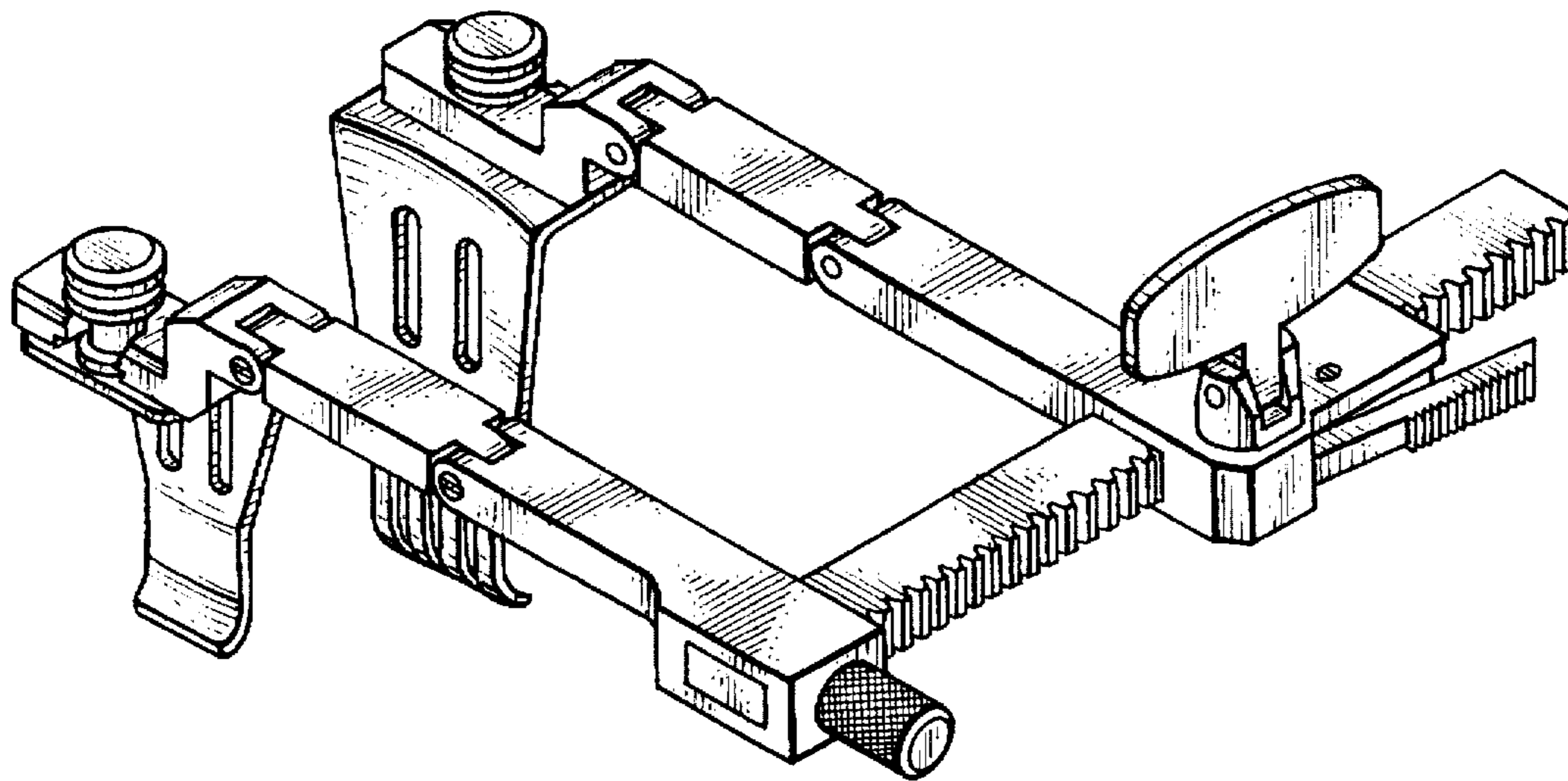


Fig. 1.

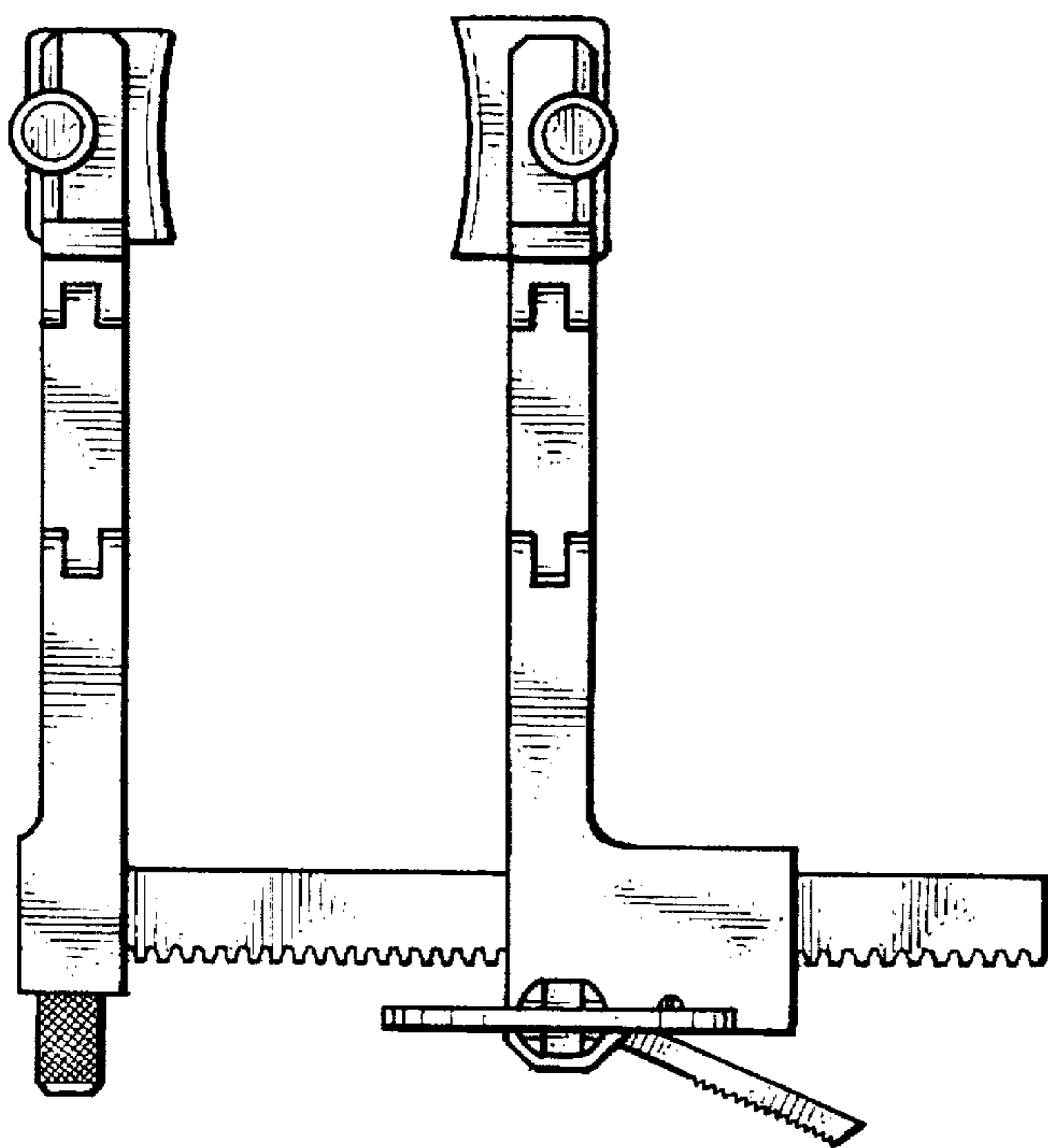


Fig. 4.

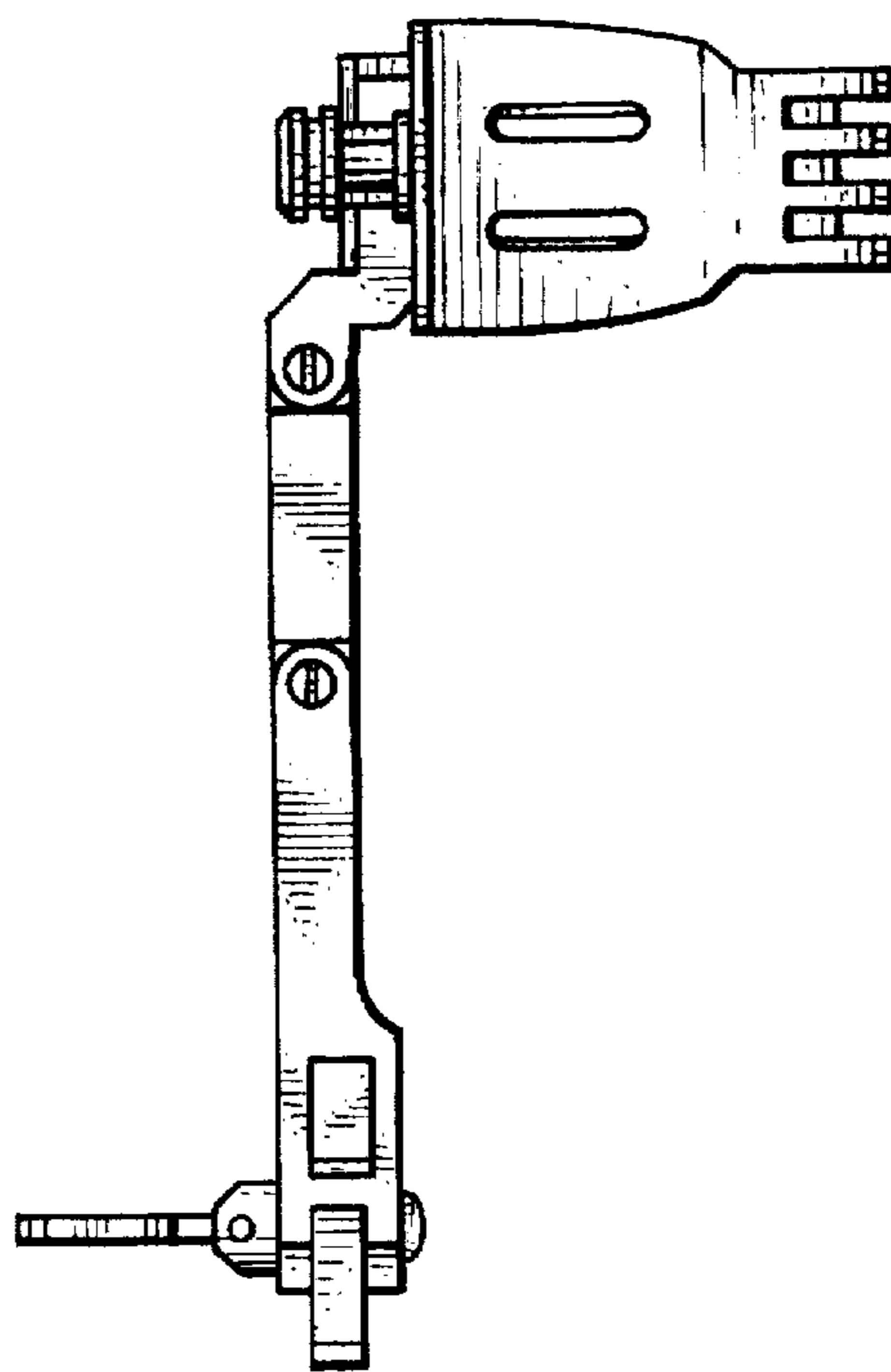


Fig. 5.

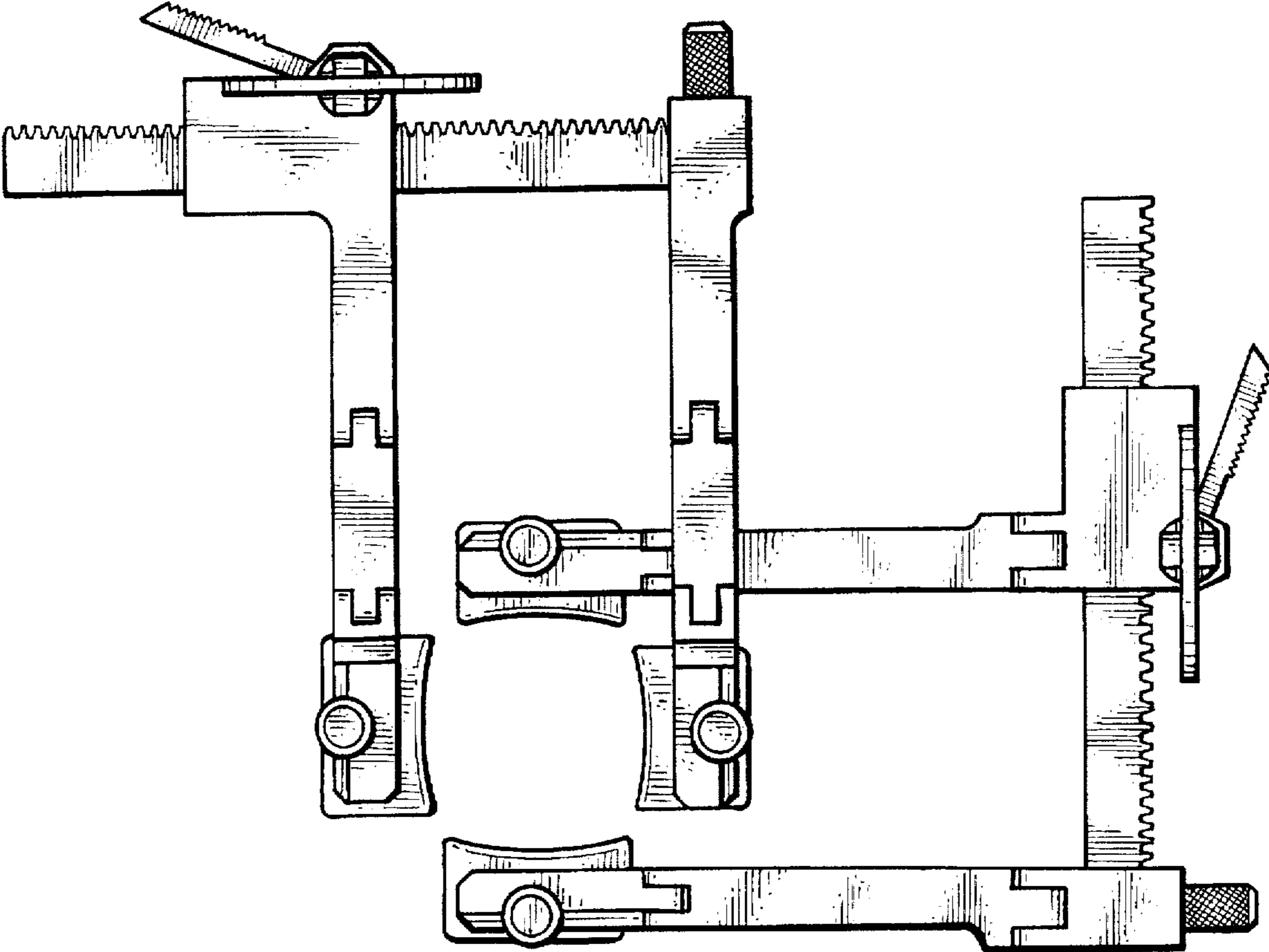


Fig. 2.

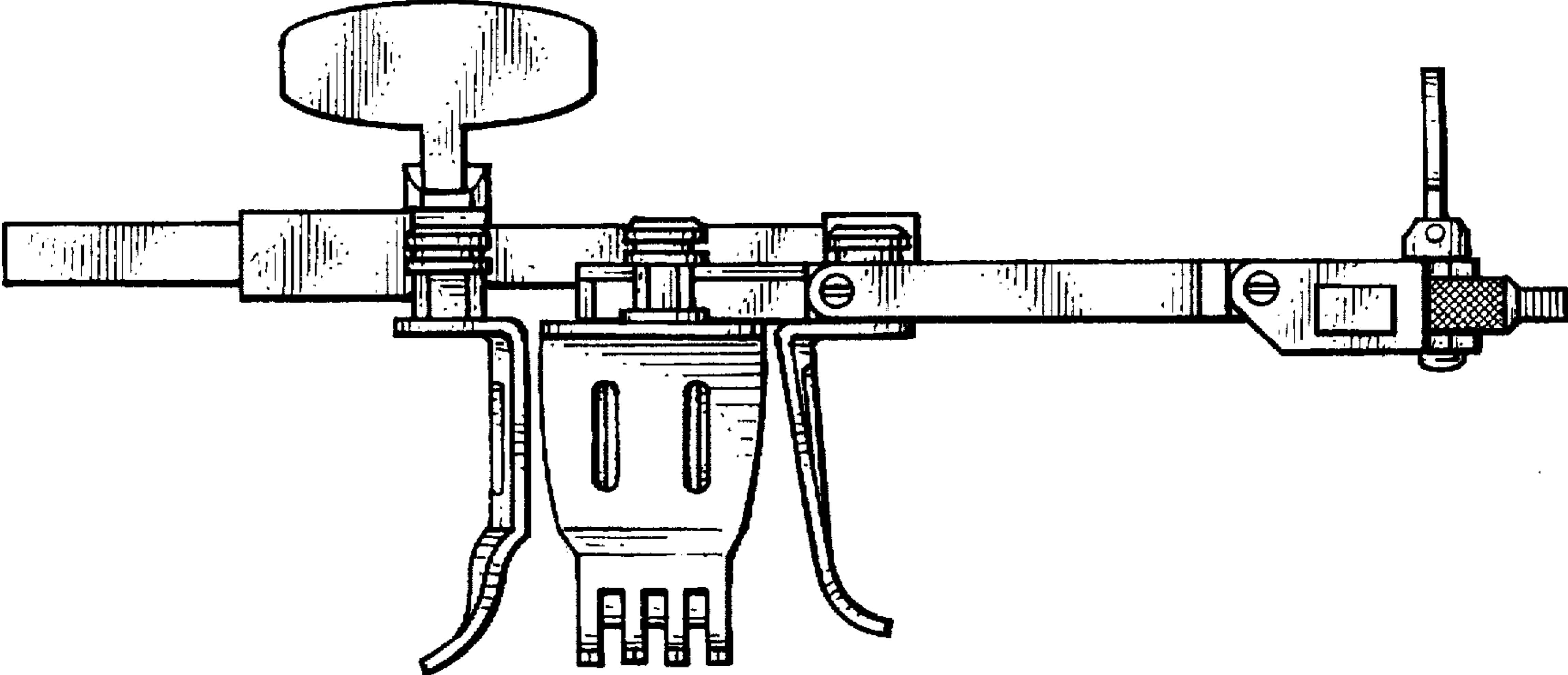


Fig. 3.

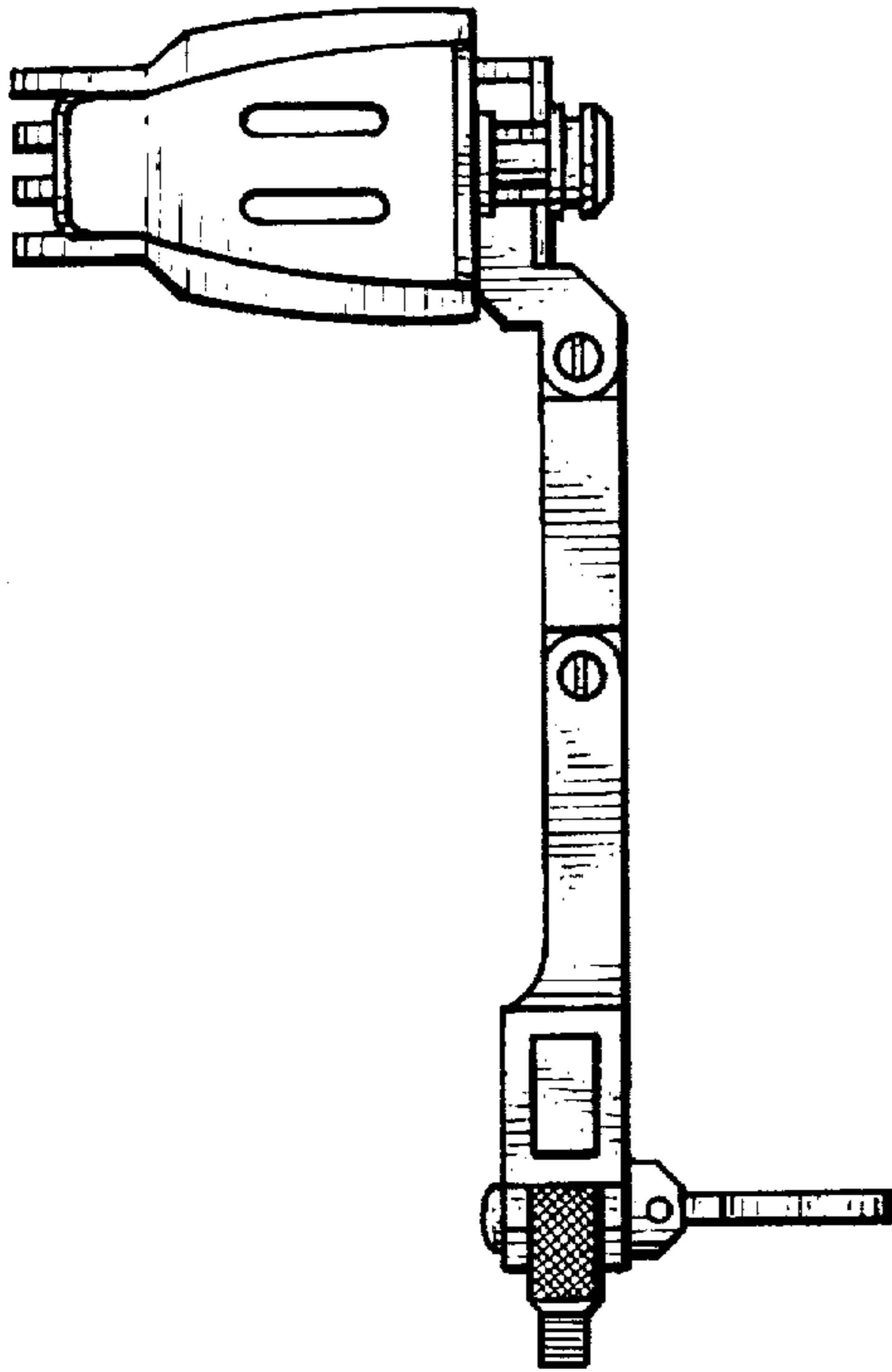


Fig. 6.

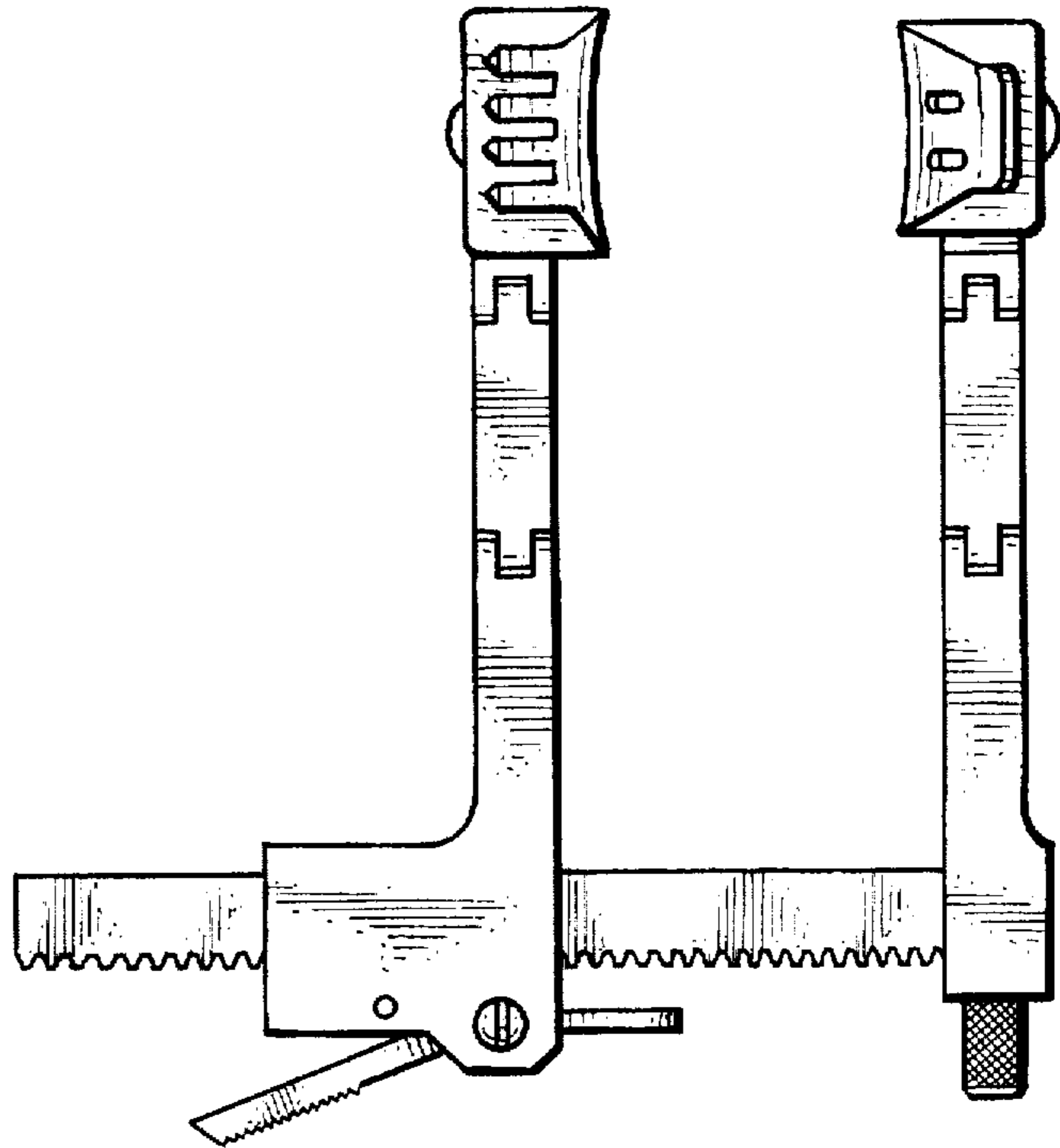


Fig. 7.

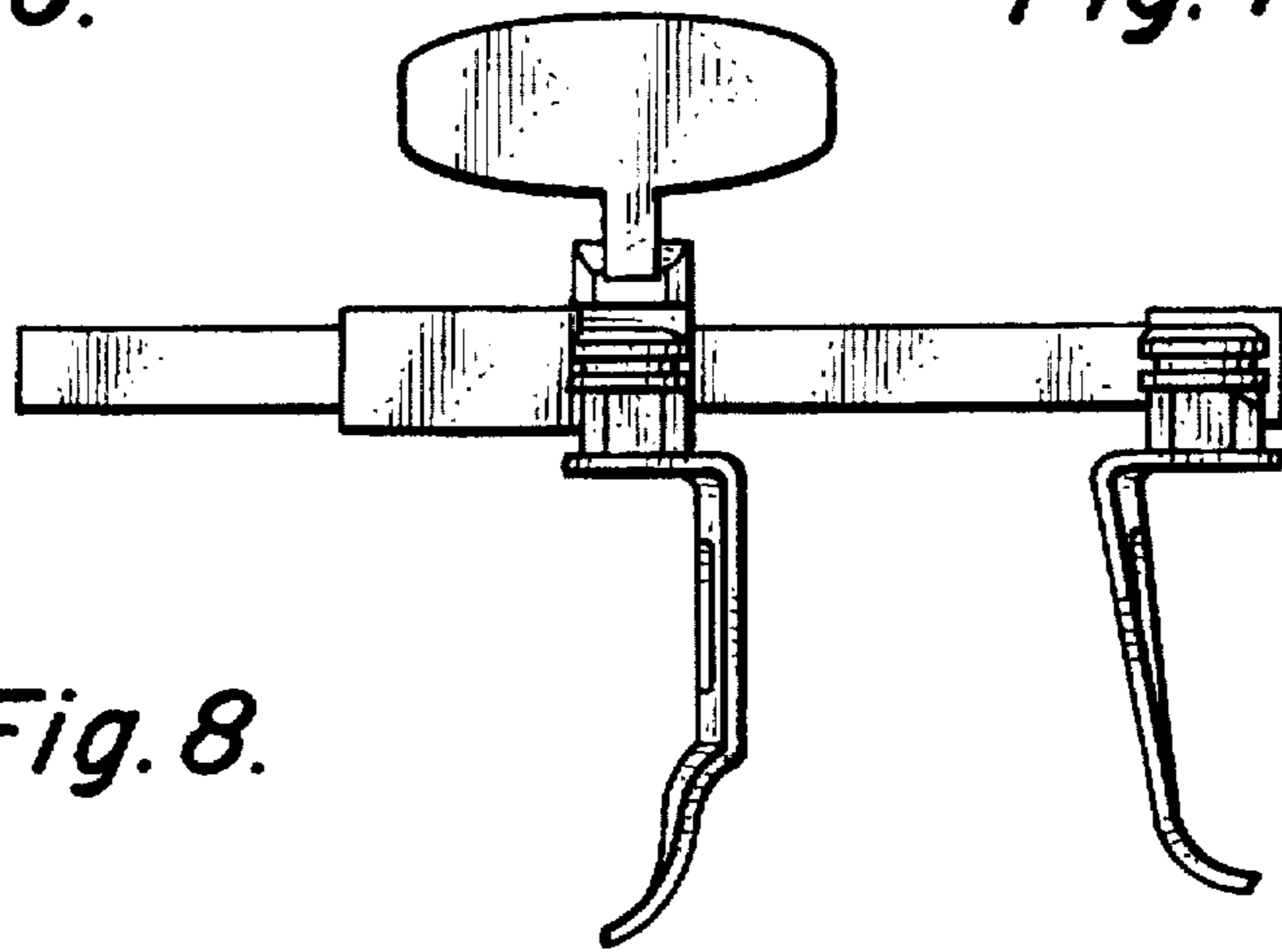


Fig. 8.

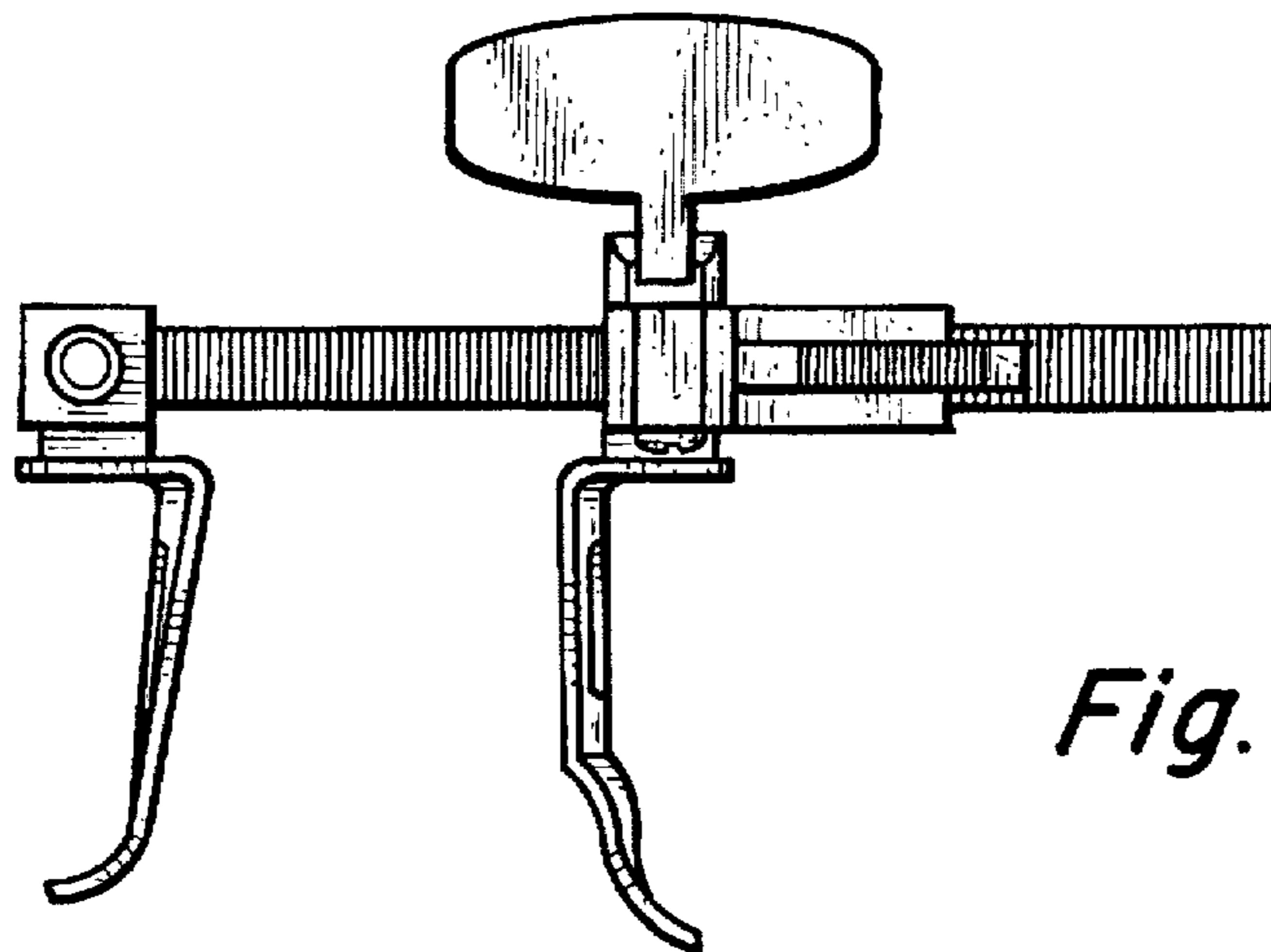


Fig. 9.

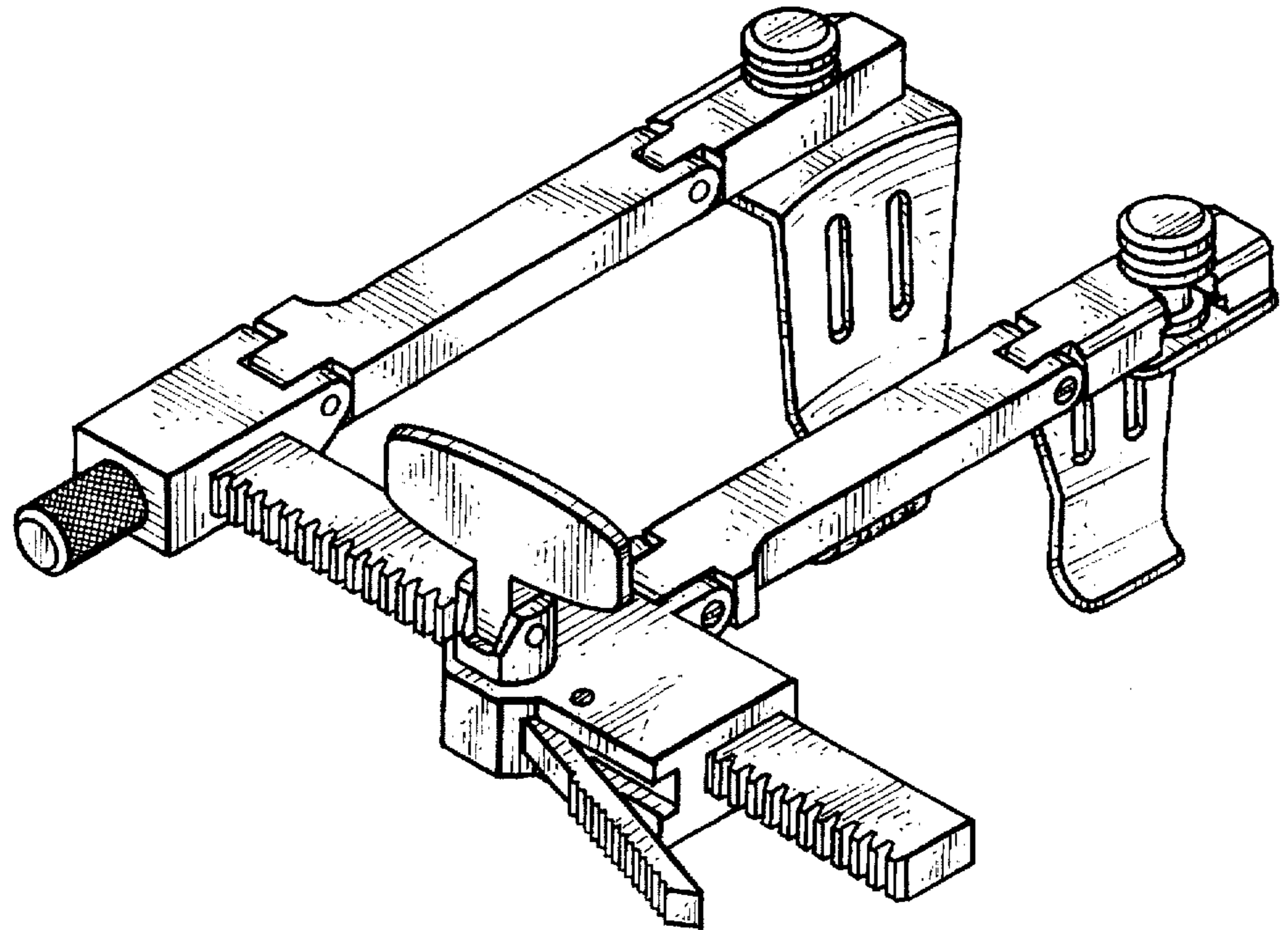


Fig. 10.

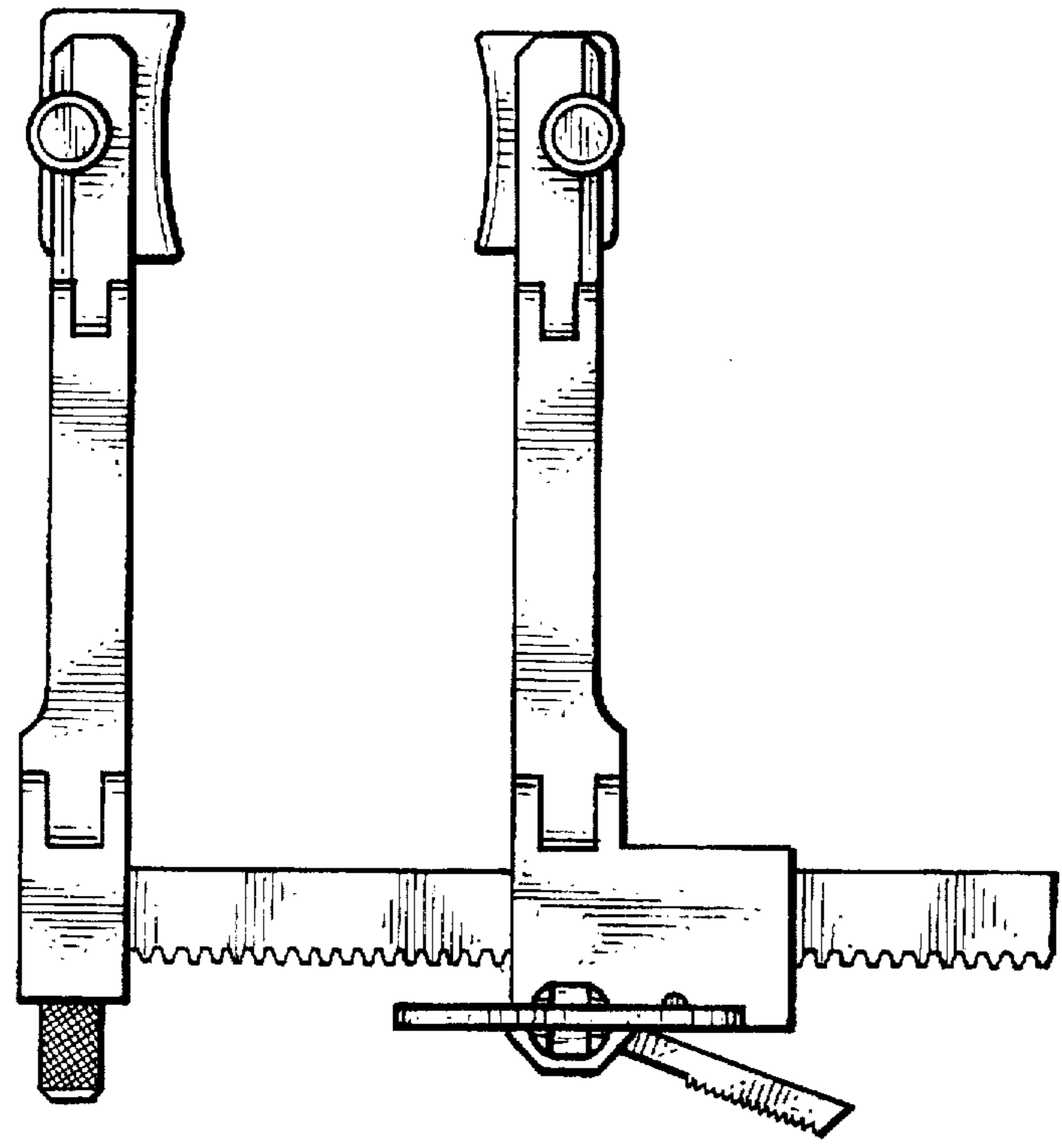


Fig. 11.

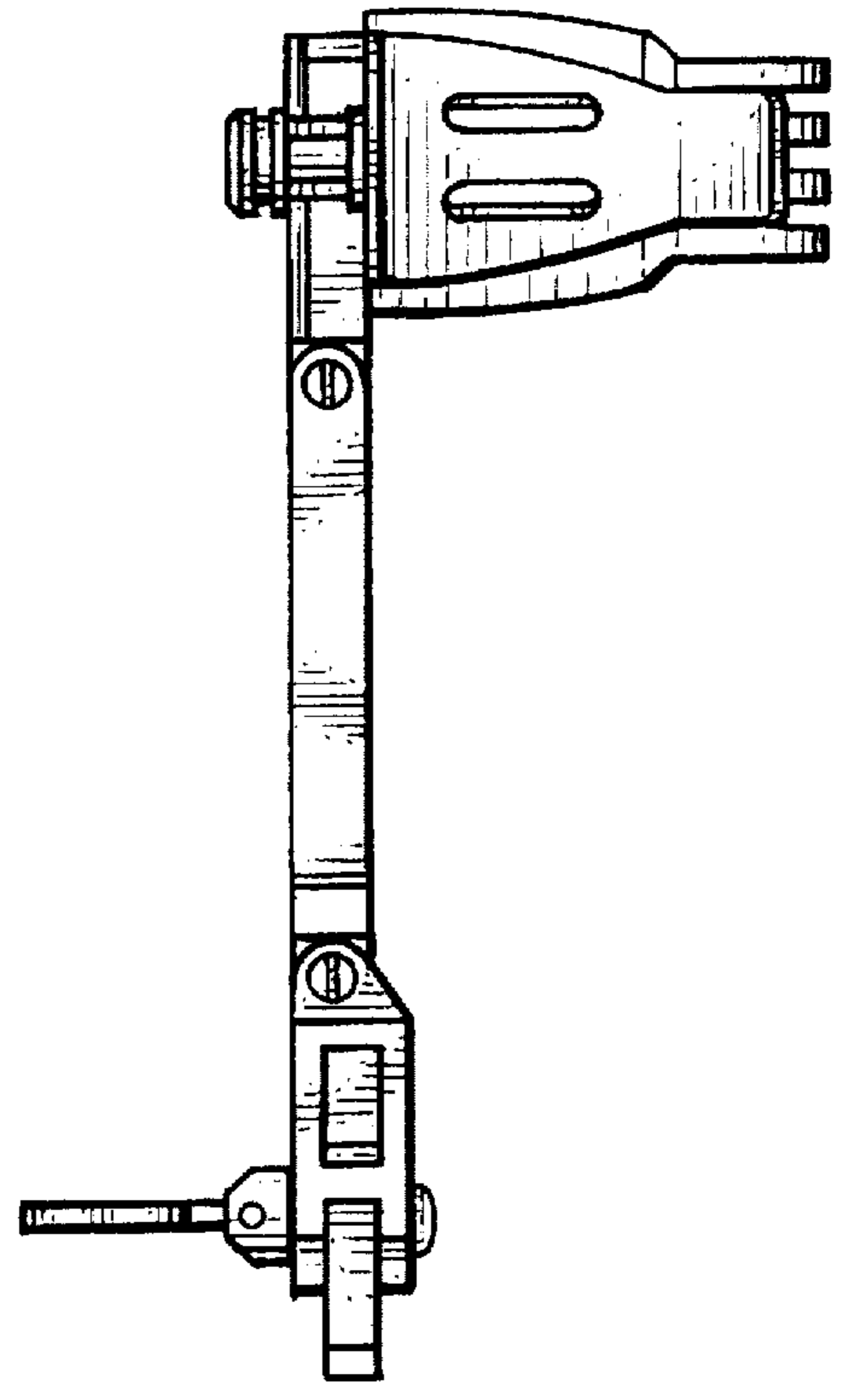


Fig. 12.

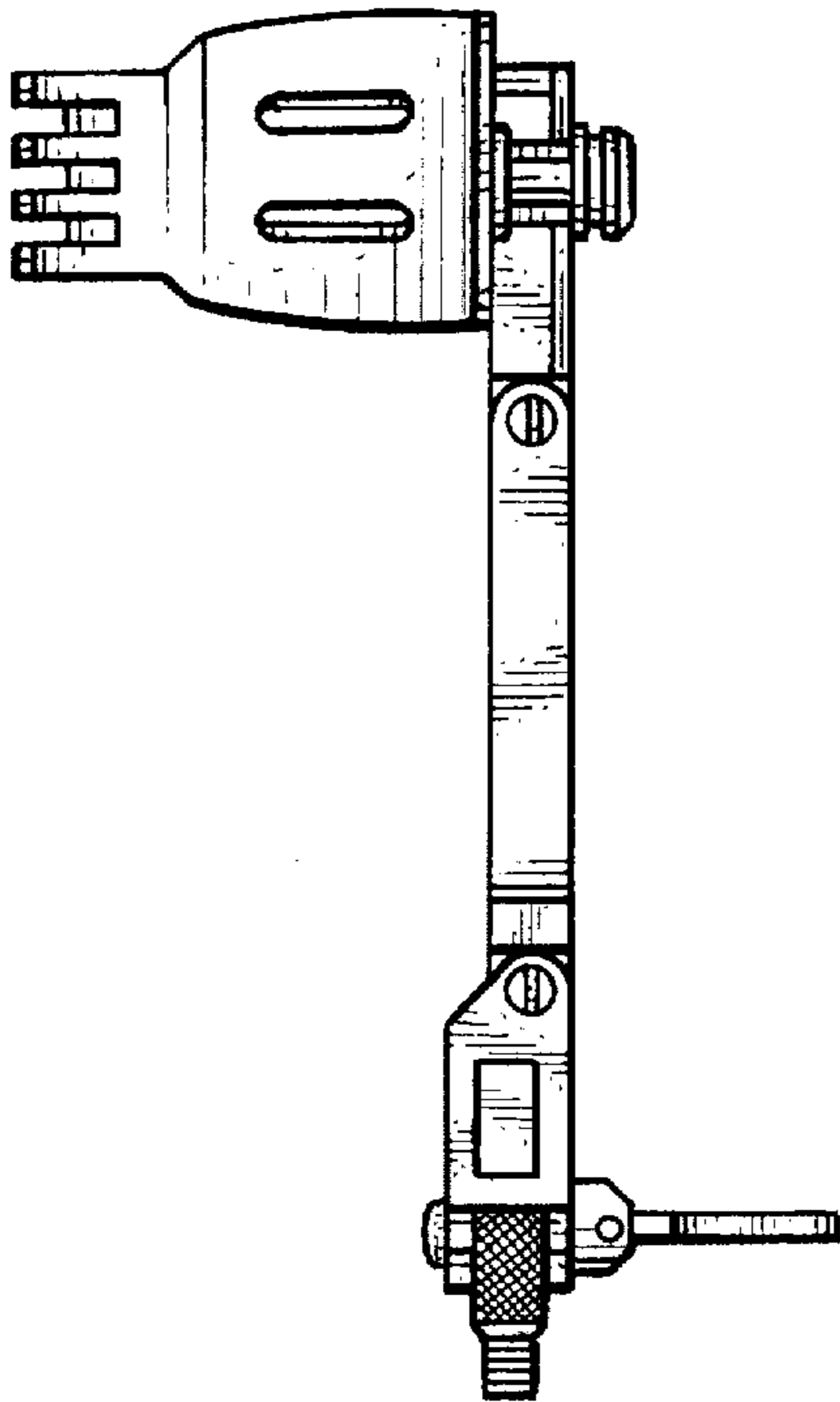


Fig. 13.

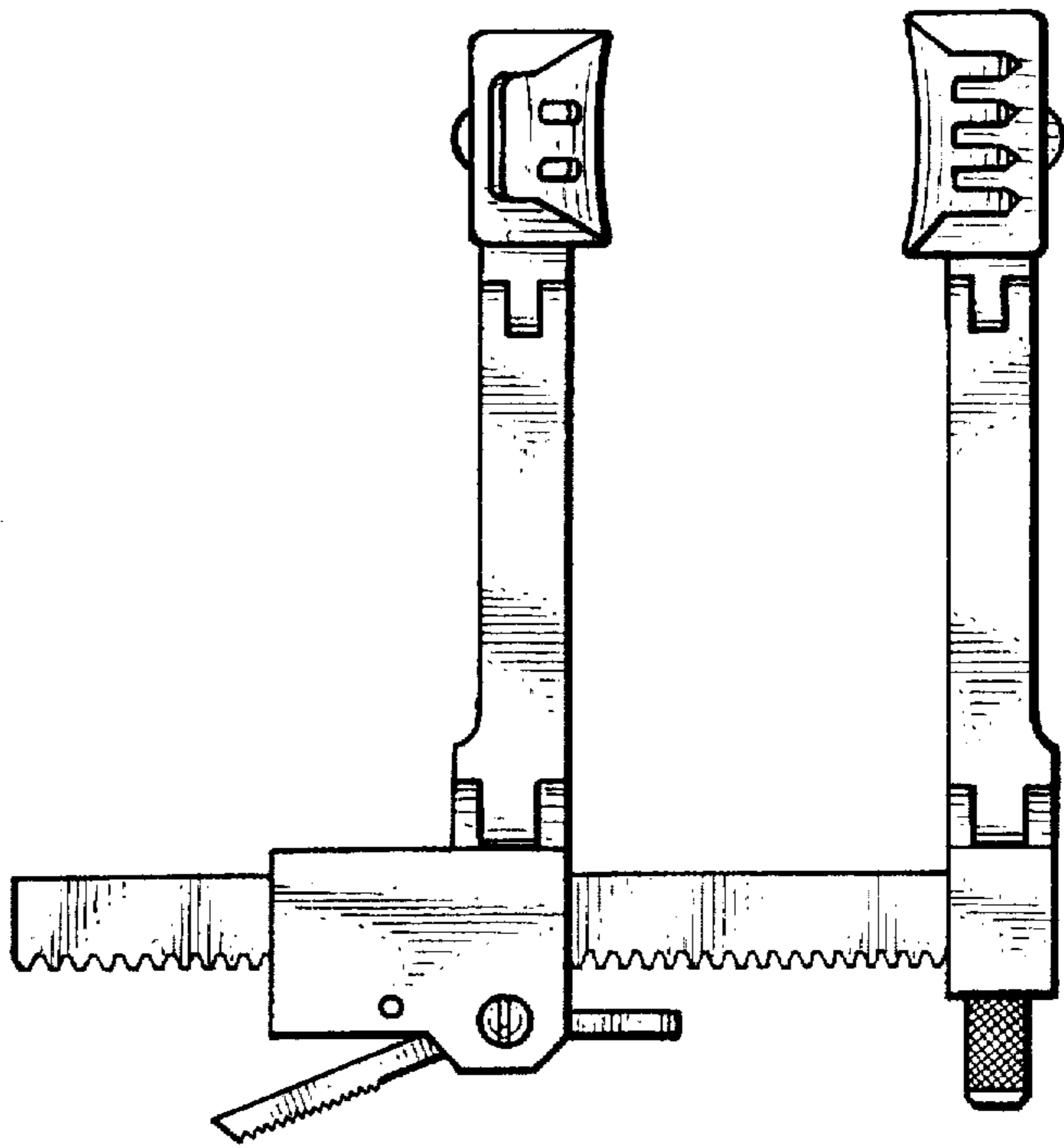


Fig. 14.

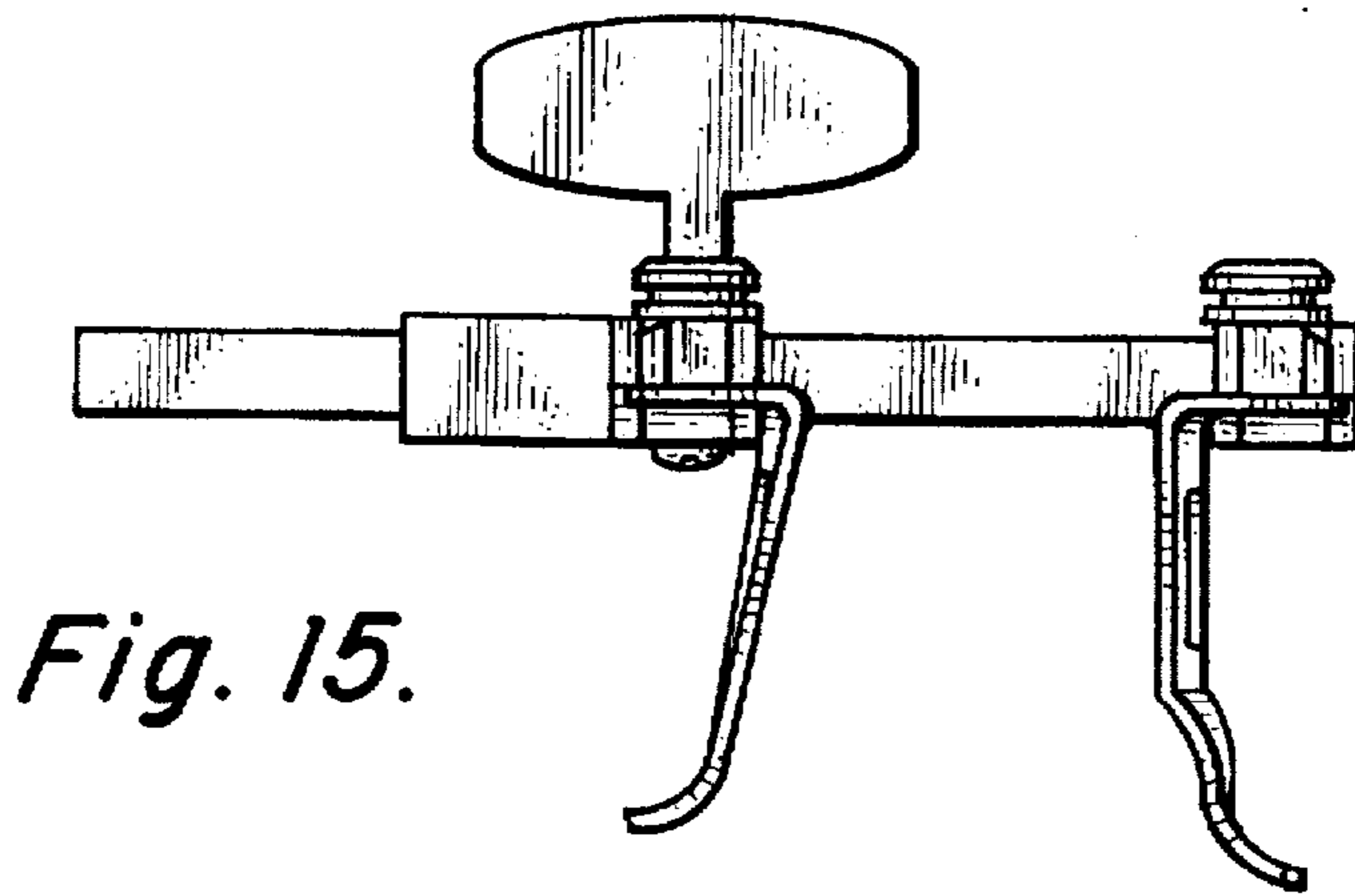


Fig. 15.

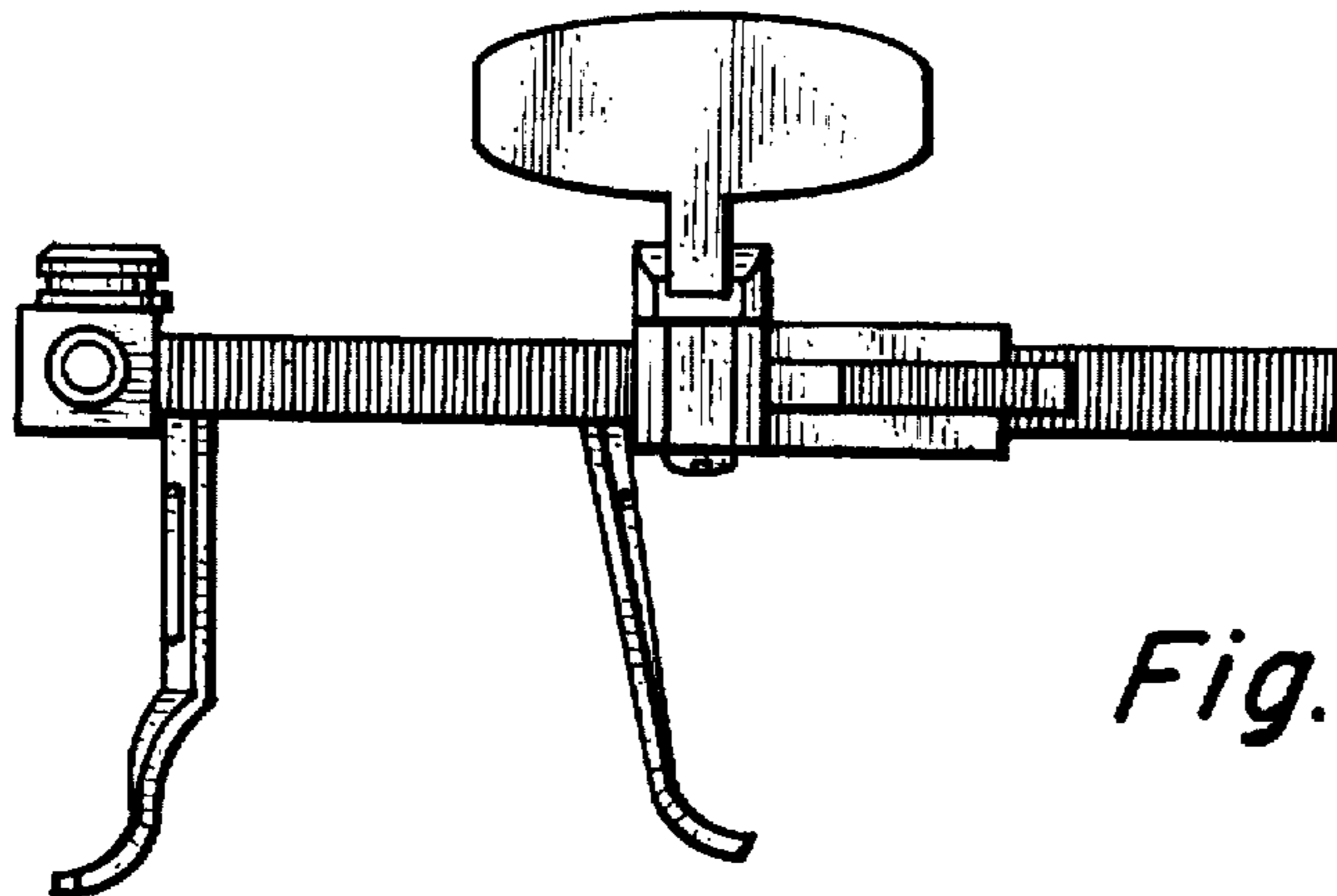


Fig. 16.

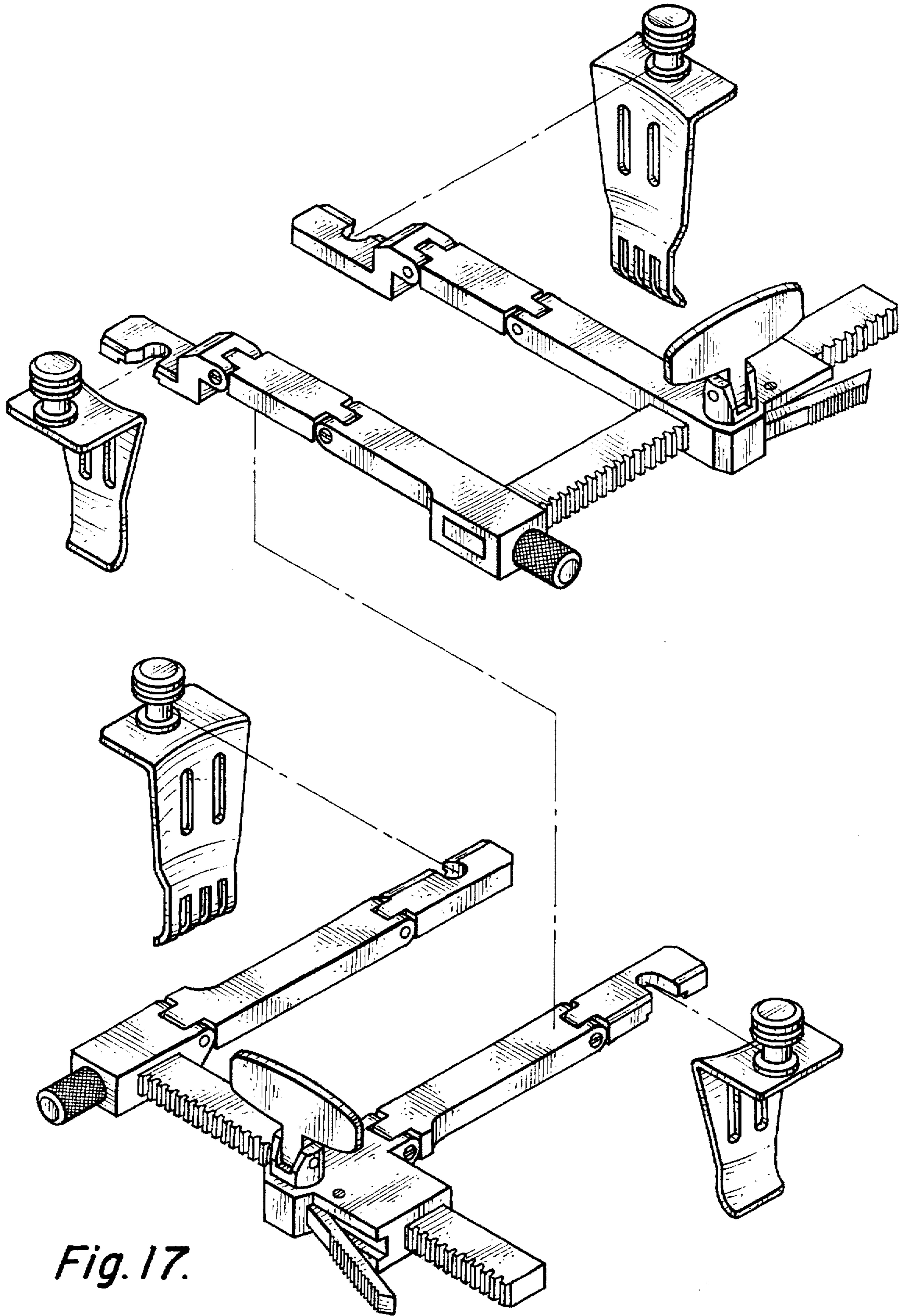


Fig. 17.