

US00D396284S

**United States Patent** [19]  
**Schaefer**

[11] **Patent Number:** **Des. 396,284**  
[45] **Date of Patent:** **\*\*Jul. 21, 1998**

[54] **FEMALE INCONTINENCE DEVICE**  
[75] **Inventor:** **Robert W. Schaefer**, Bolton, Mass.  
[73] **Assignee:** **Insight Medical Corporation**, Bolton, Mass.  
[\*\*] **Term:** **14 Years**  
[21] **Appl. No.:** **55,090**  
[22] **Filed:** **May 29, 1996**  
[51] **LOC (6) Cl.** ..... **24-04**  
[52] **U.S. Cl.** ..... **D24/122; D24/141**  
[58] **Field of Search** ..... **D24/121, 122, D24/133, 141, 108; 604/329, 317, 321, 322, 327, 328, 330**

WO96/39990 12/1996 WIPO .  
WO96/39991 12/1996 WIPO .

*Primary Examiner*—Doris Clark  
*Attorney, Agent, or Firm*—Wolf Greenfield & Sacks, P.C.

[57] **CLAIM**

The ornamental design for a female incontinence device, as shown and described.

**DESCRIPTION**

FIG. 1 is a bottom perspective view of a preferred embodiment of a female incontinence device in accordance with this invention;  
FIG. 2 is a top perspective view thereof;  
FIG. 3 is a right side view thereof with a left side view, front and back views being identical thereto;  
FIG. 4 is a top plan view thereof;  
FIG. 5 is a bottom plan view thereof;  
FIG. 6 is a bottom plan view of an alternate embodiment thereof; and,  
FIG. 7 is a bottom perspective view of said alternate embodiment with all other views of said alternate embodiment corresponding to views 2, 3, 4, and 5 of the preferred embodiment and being identical thereto.

[56] **References Cited**

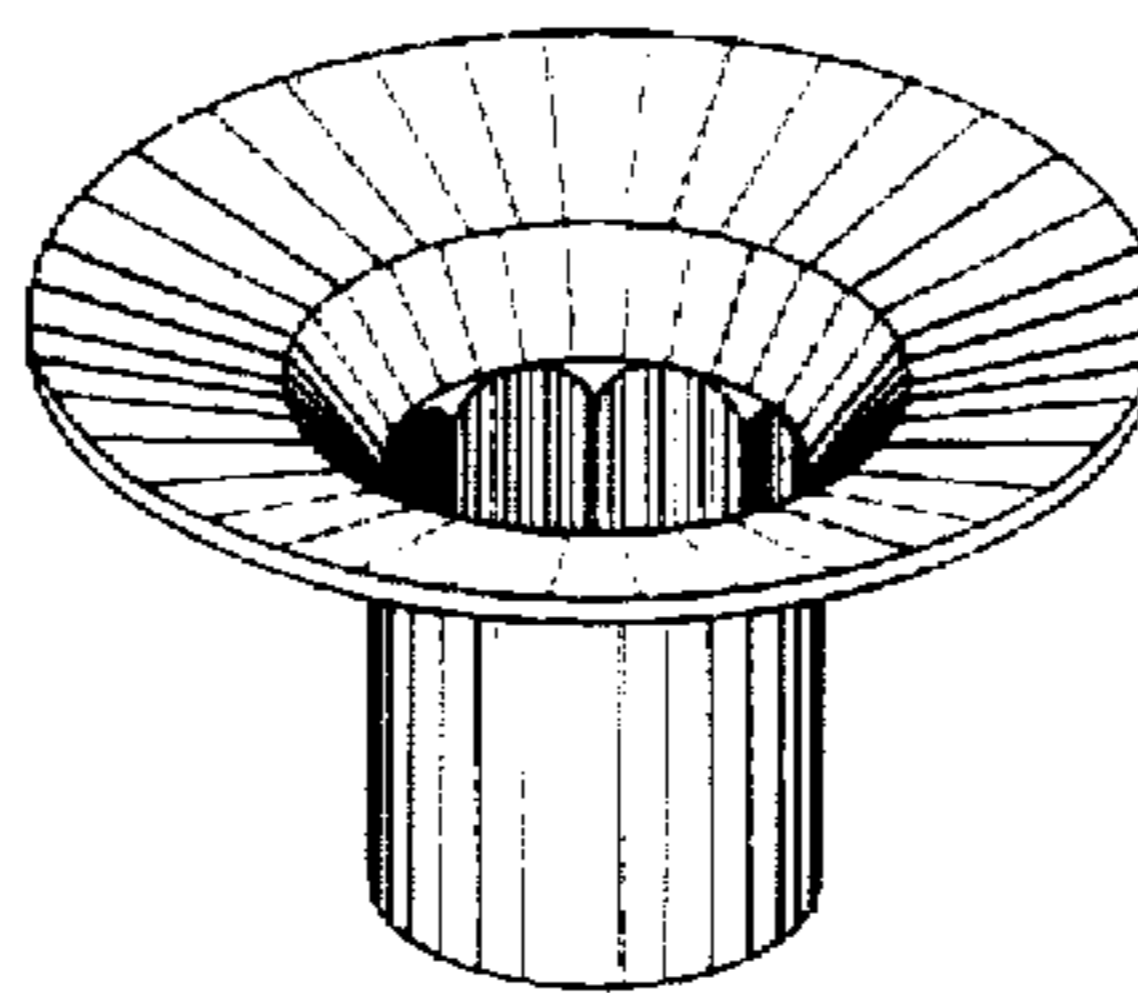
**U.S. PATENT DOCUMENTS**

D. 196,473	10/1963	Hill	.....	D24/122
D. 326,519	5/1992	Drysdale	.....	D24/122
D. 380,547	7/1997	Carlsen	.....	D24/122
4,568,339	2/1986	Steer	.....	604/329
4,681,572	7/1987	Tokarz et al.	.....	604/329
4,822,347	4/1989	MacDougall	.....	604/329

**FOREIGN PATENT DOCUMENTS**

WO96/39989 12/1996 WIPO .

**1 Claim, 1 Drawing Sheet**



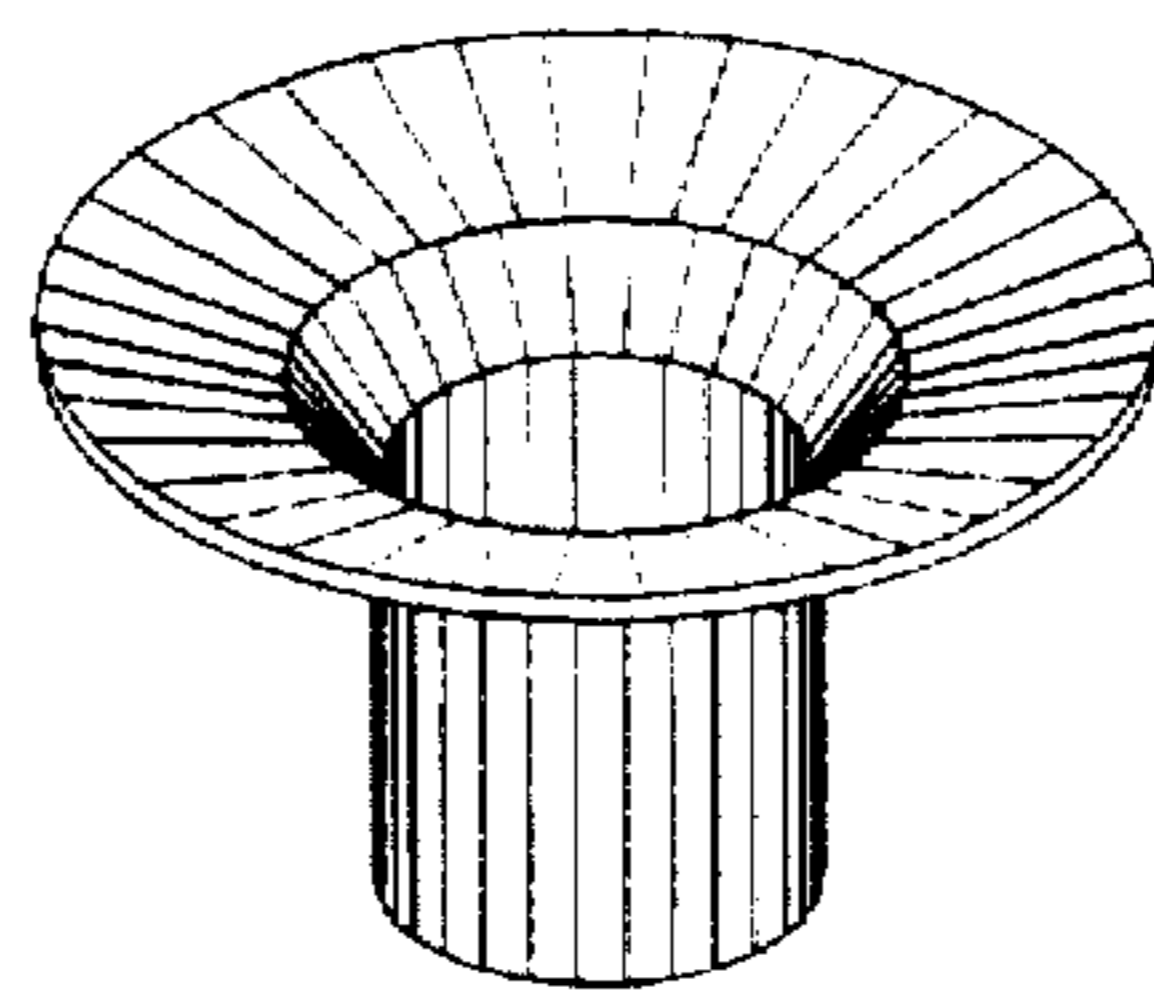


Fig. 1

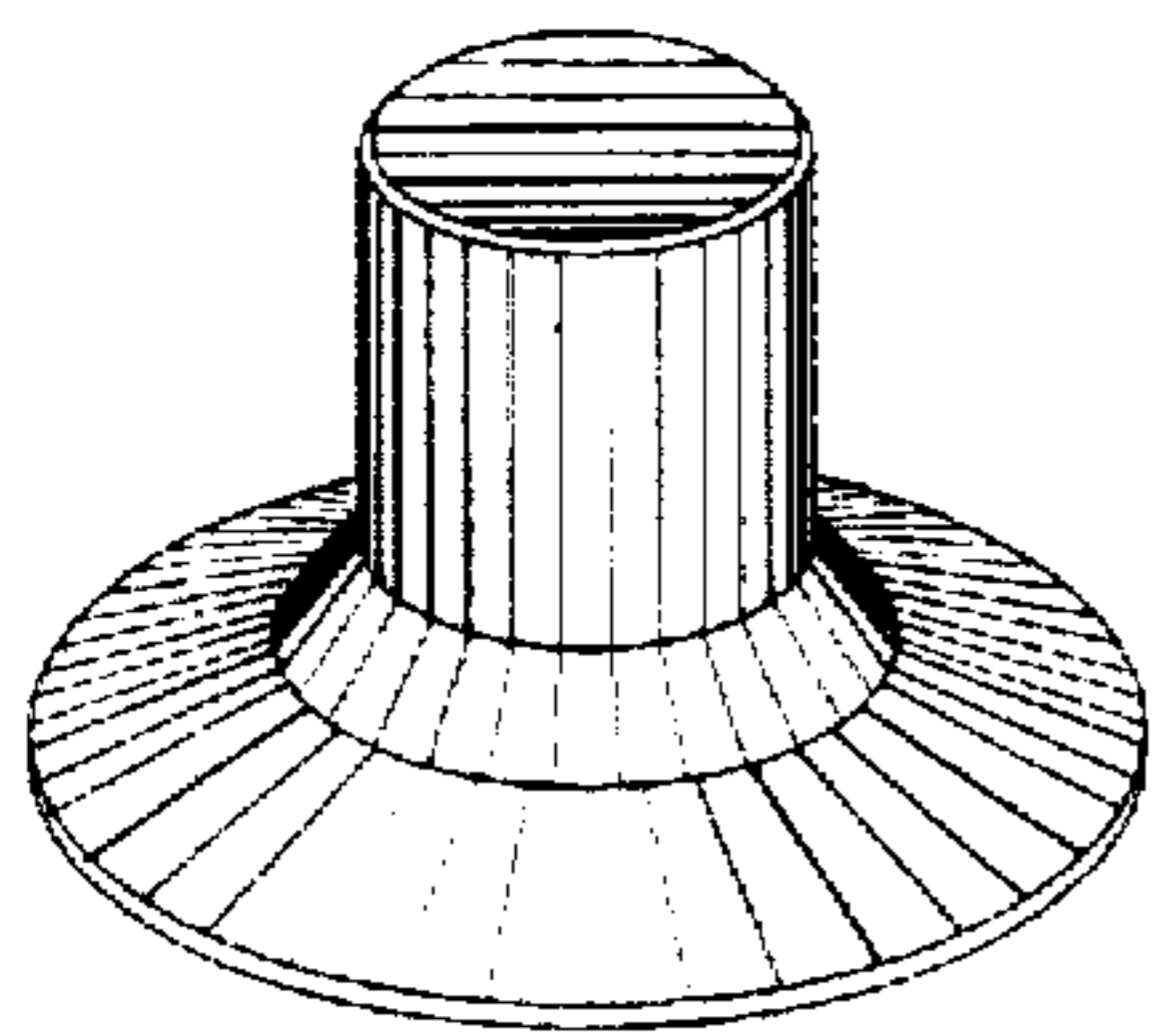


Fig. 2

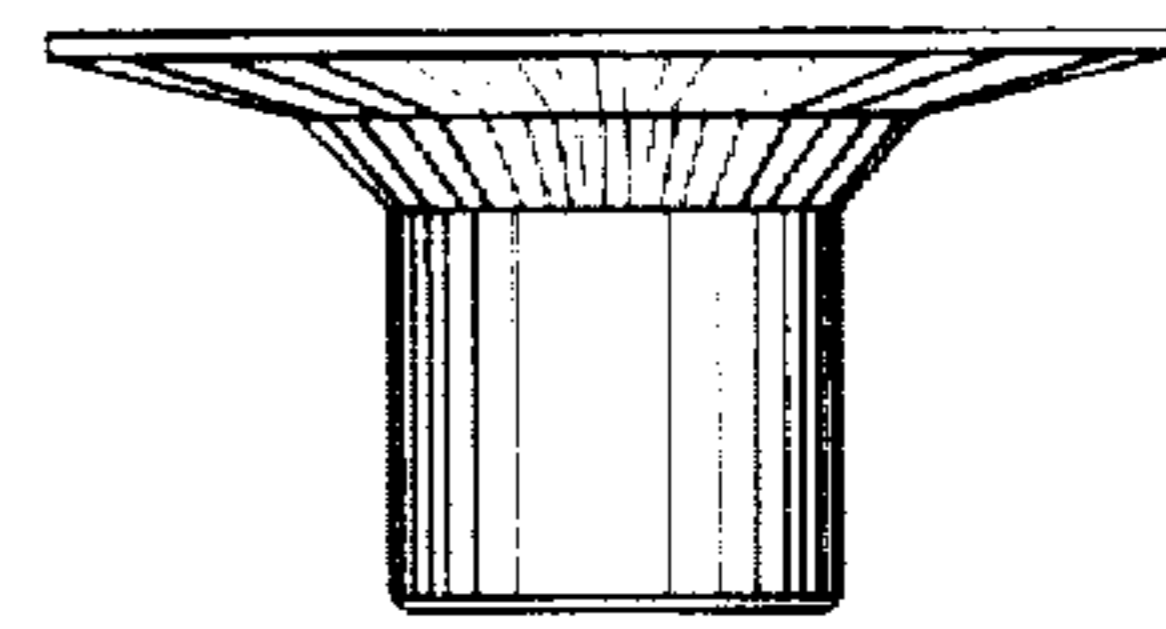


Fig. 3

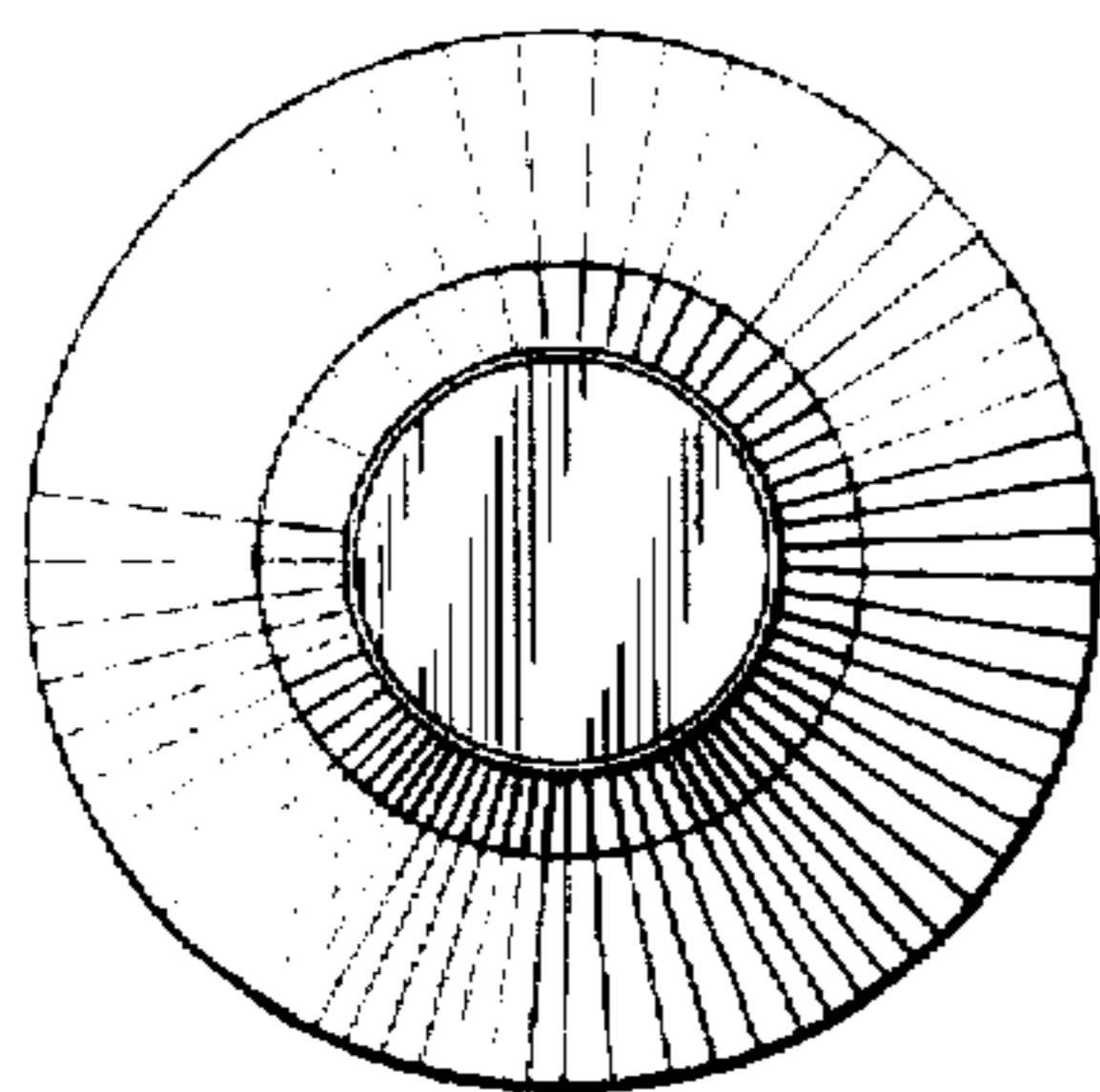


Fig. 4

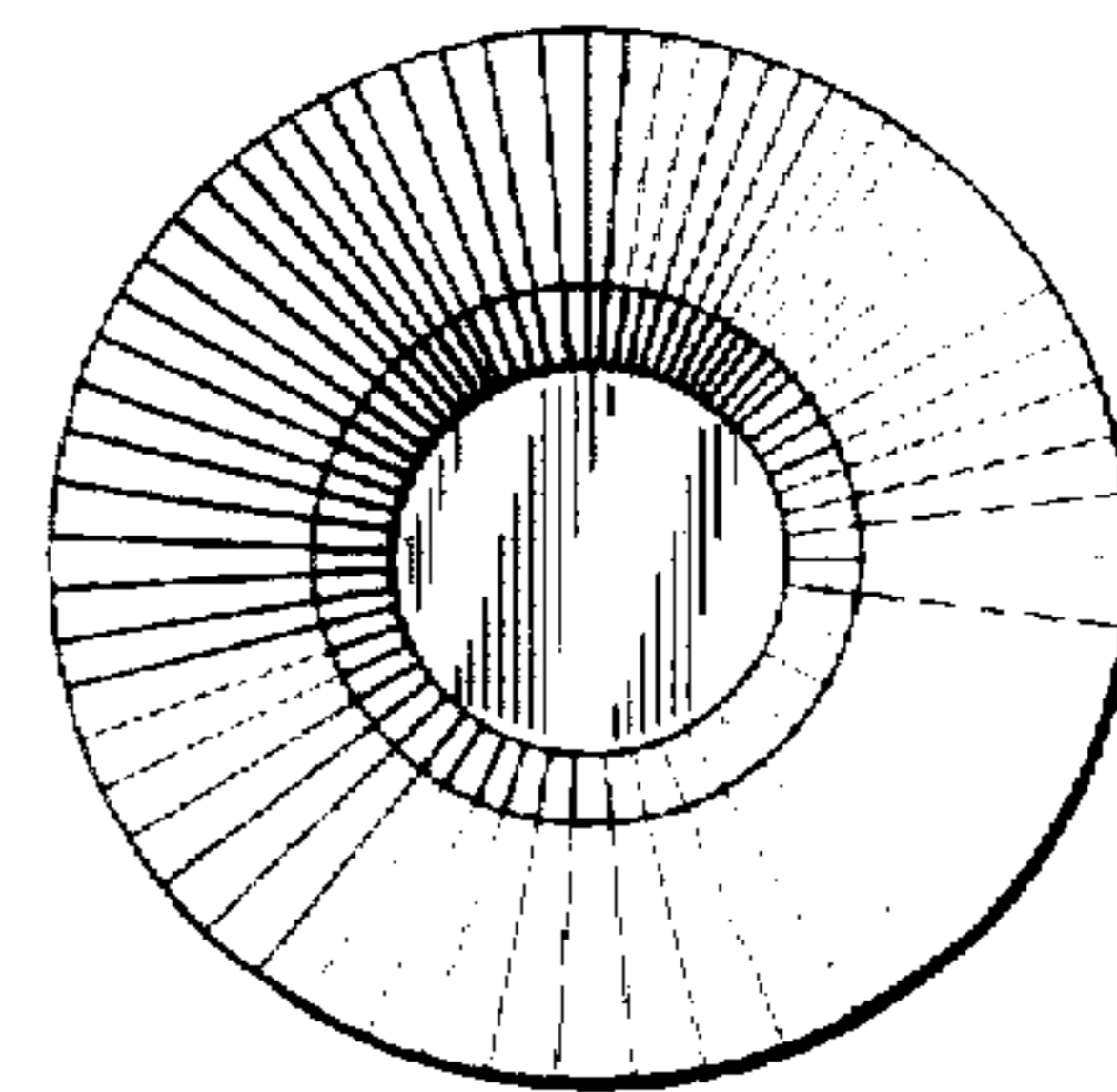


Fig. 5

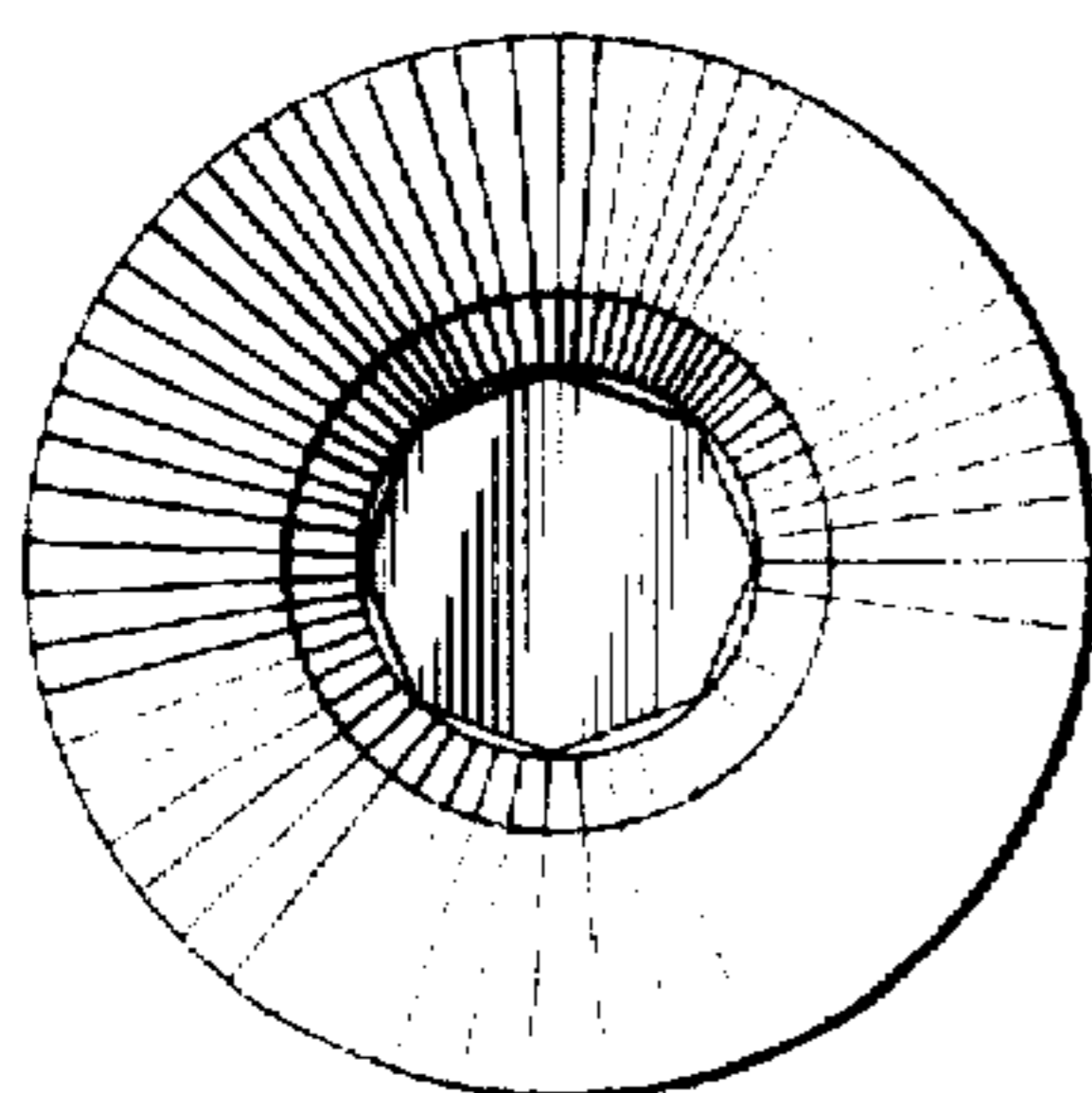


Fig. 6

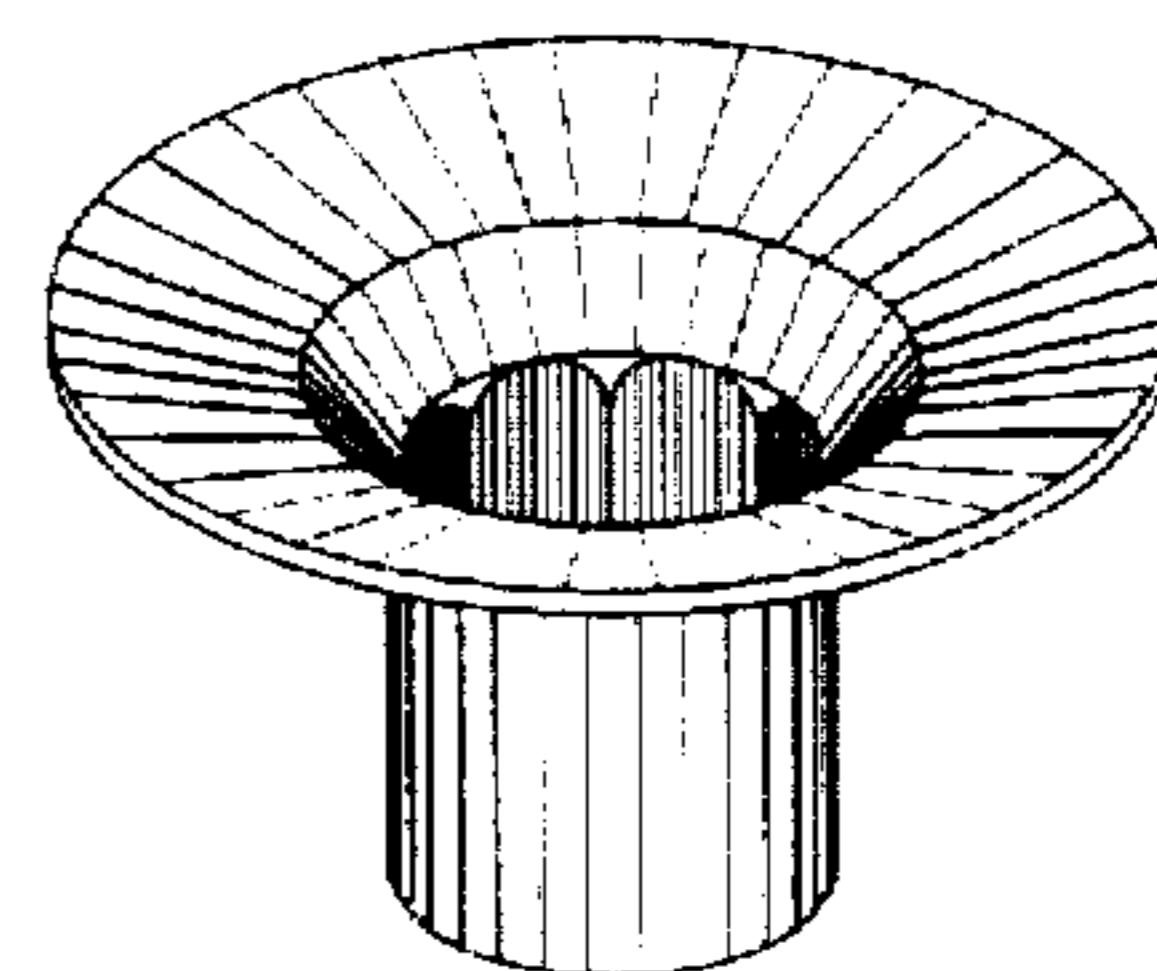


Fig. 7