

US00D396277S

# United States Patent [19]

Wallace et al.

[11] Patent Number: Des. 396,277

[45] Date of Patent: \*\*Jul. 21, 1998

[54] VENTILATOR HOOD

[76] Inventors: **James M. Wallace**, 1555 Ridgeview Dr. #218, Reno, Nev. 89509; **Michael R. Rayburn**, 945 Bates Ave., Reno, Nev. 89502

[\*\*] Term: 14 Years

[21] Appl. No.: 78,795

[22] Filed: Oct. 31, 1997

[51] LOC (6) Cl. .... 23-04

[52] U.S. Cl. .... D23/371

[58] Field of Search ..... D23/371, 370; 454/56

### [56] References Cited

#### U.S. PATENT DOCUMENTS

- D. 242,861 12/1976 Carlson ..... D23/371
- D. 286,324 10/1986 Parks et al. .... D23/371

- D. 296,712 7/1988 Blanchetti ..... D23/371
- D. 360,682 7/1995 Gilkison et al. .... D23/371
- 4,548,128 10/1985 Morikawa et al. .... 454/56
- 5,447,468 9/1995 Tener et al. .... 454/56

Primary Examiner—Lisa Lichtenstein  
Attorney, Agent, or Firm—Herbert C. Schulze

### [57] CLAIM

The ornamental design for a ventilator hood, as shown.

### DESCRIPTION

FIG. 1 is a perspective from the left front of the ventilator hood embodying the features of our new design; FIG. 2 is a front elevation thereof; FIG. 3 is a rear elevation thereof; FIG. 4 is a left side elevation thereof; FIG. 5 is a right side elevation thereof; FIG. 6 is a top plan thereof; and, FIG. 7 is a bottom plan thereof.

1 Claim, 2 Drawing Sheets

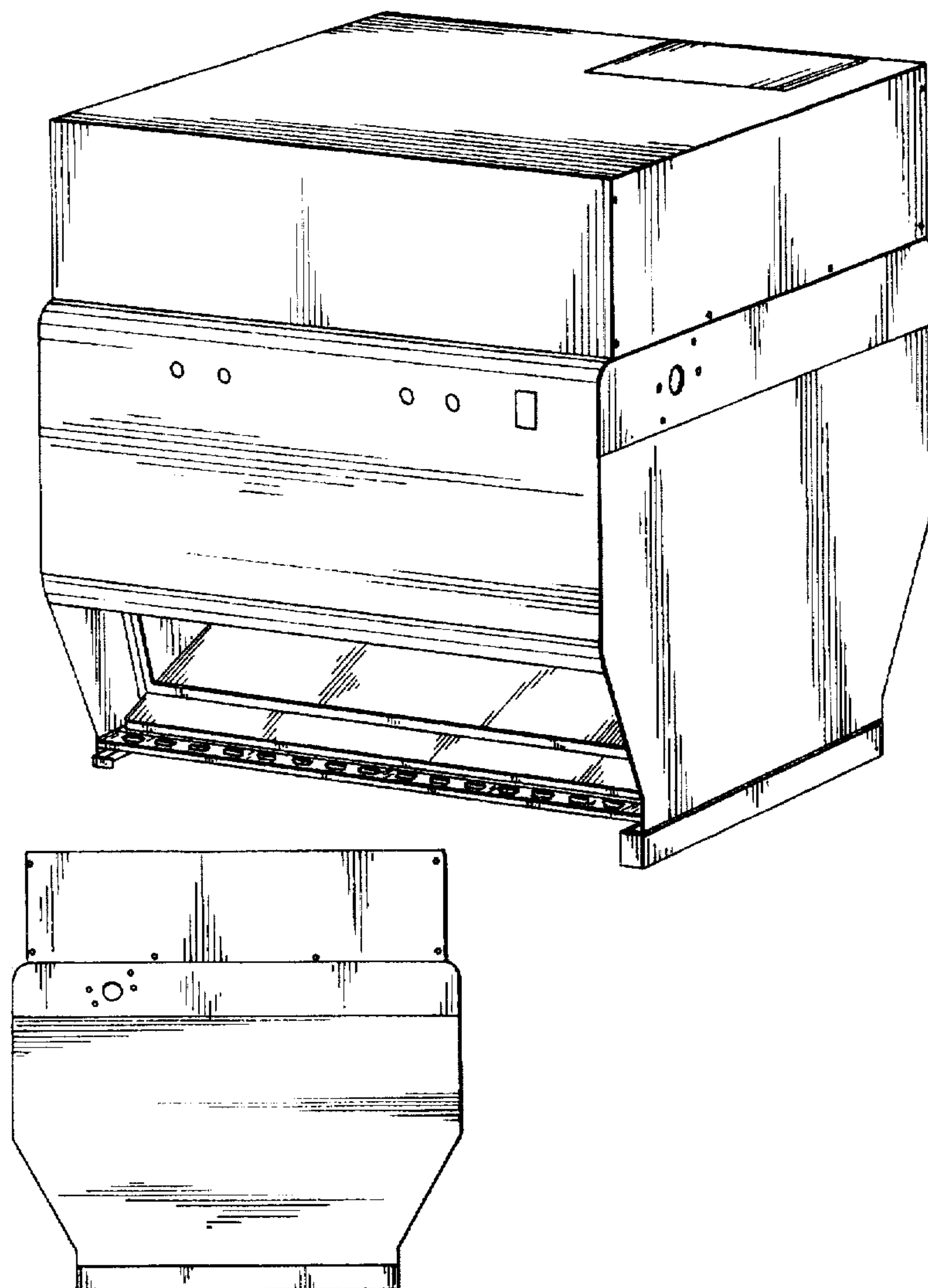


FIG. 1

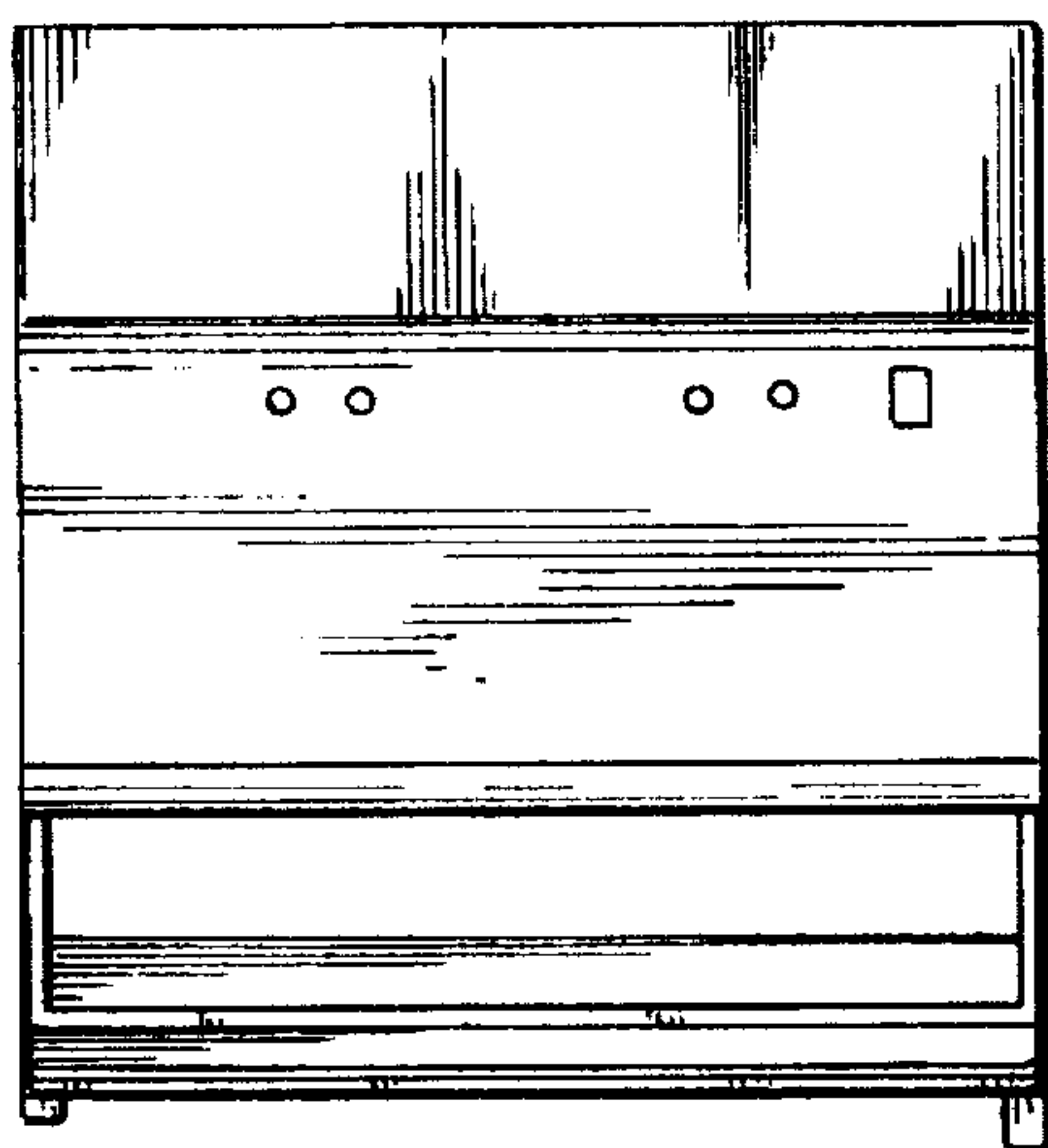
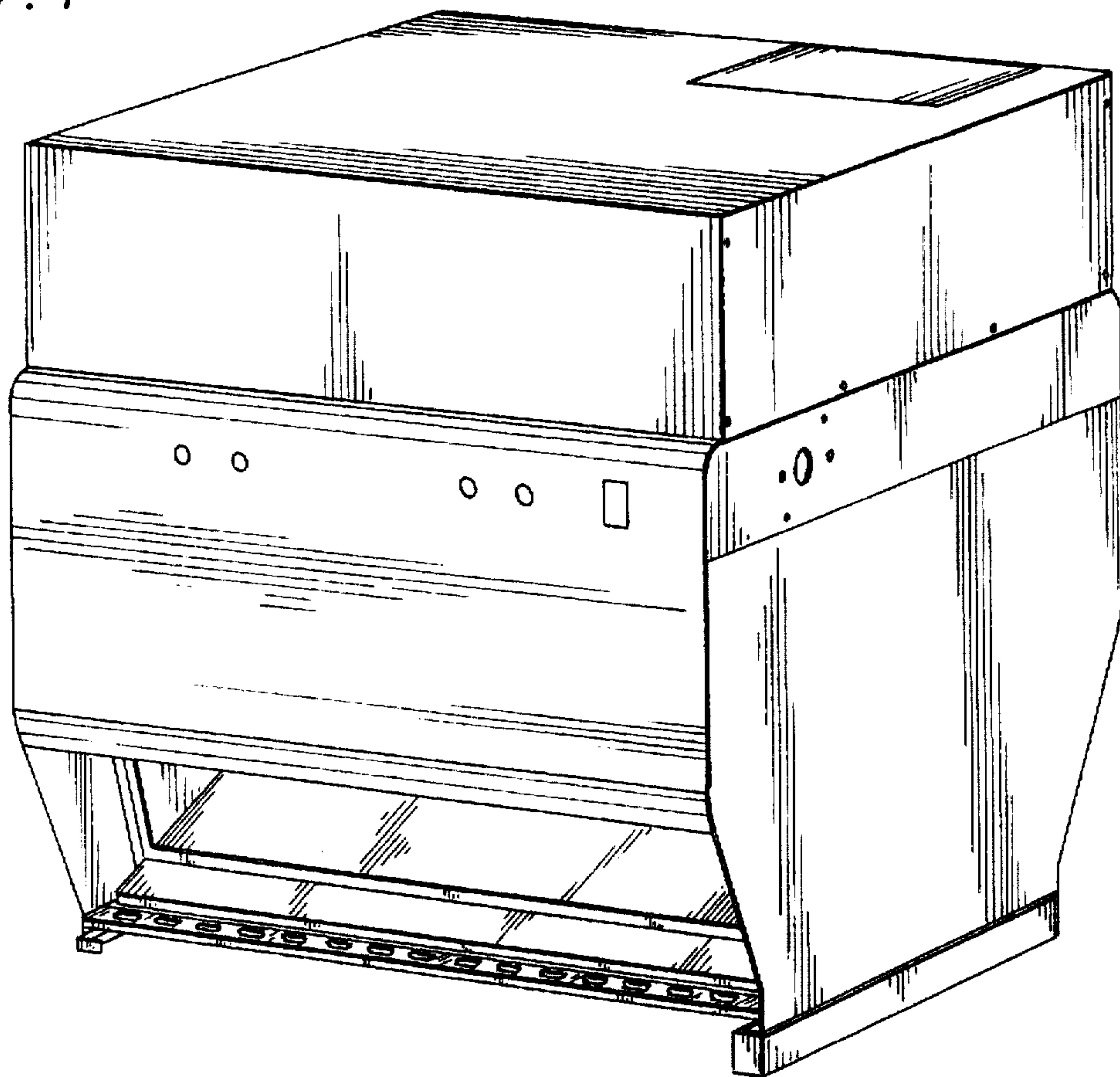


FIG. 2

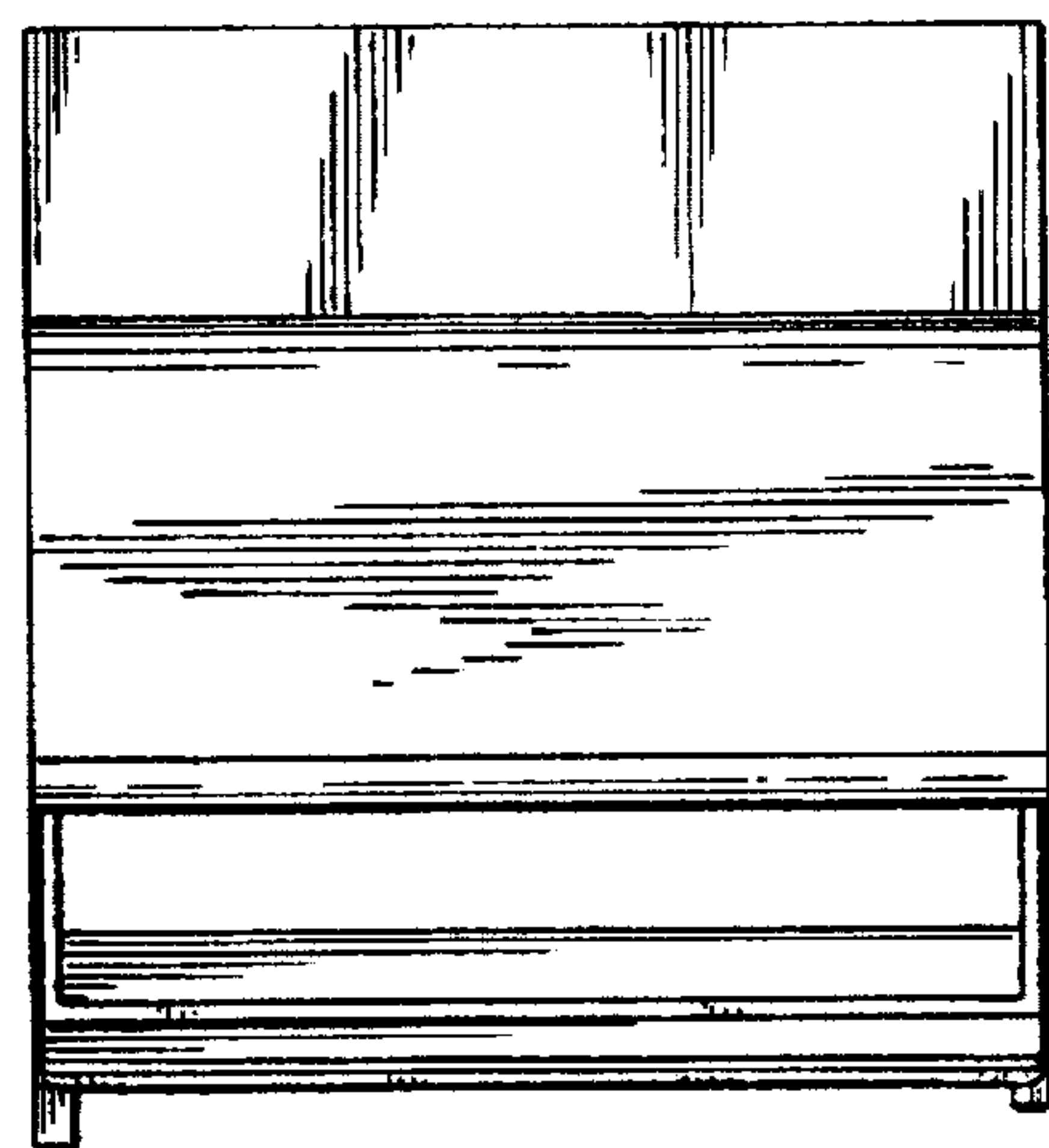


FIG. 3

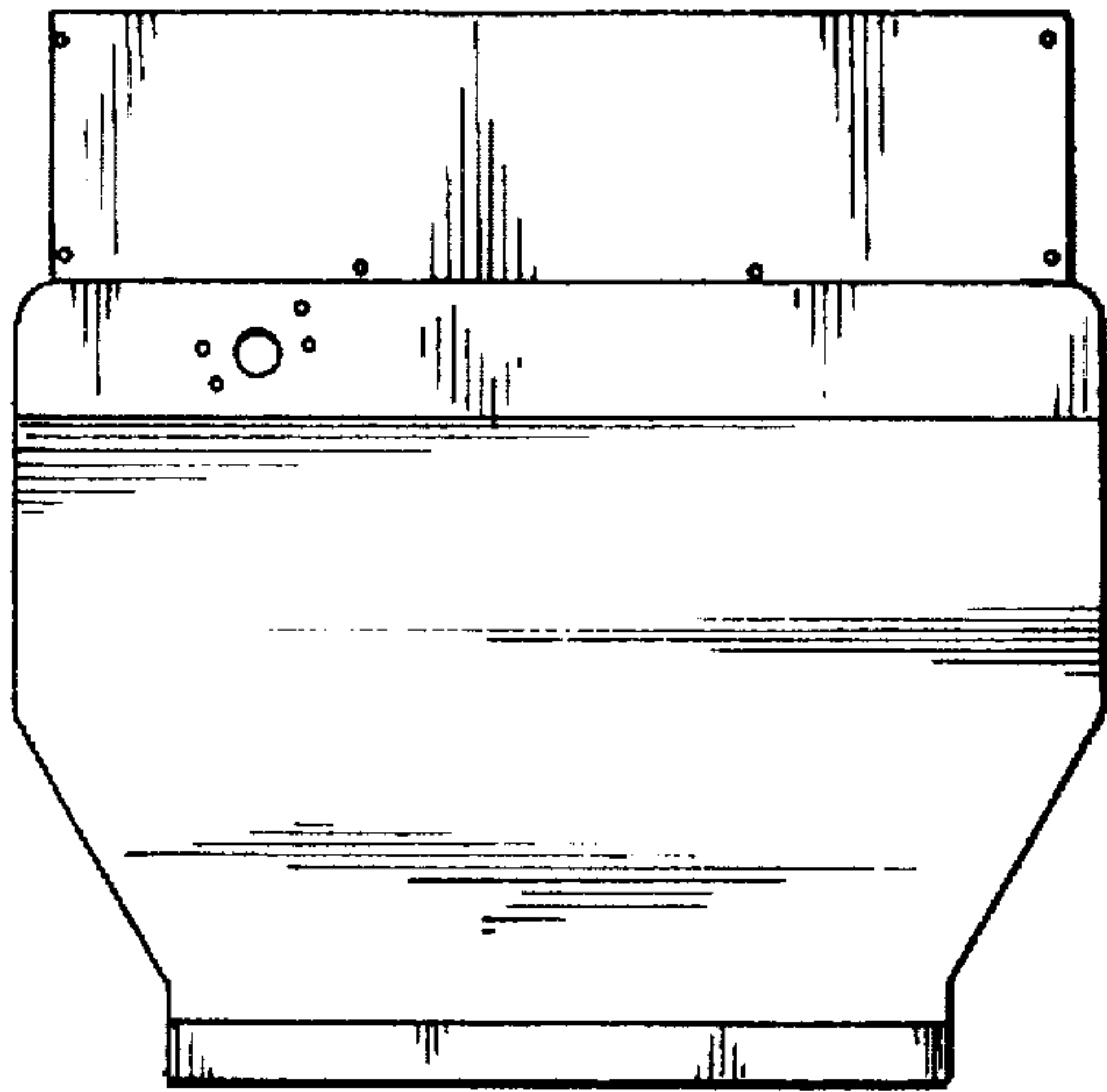


FIG. 4

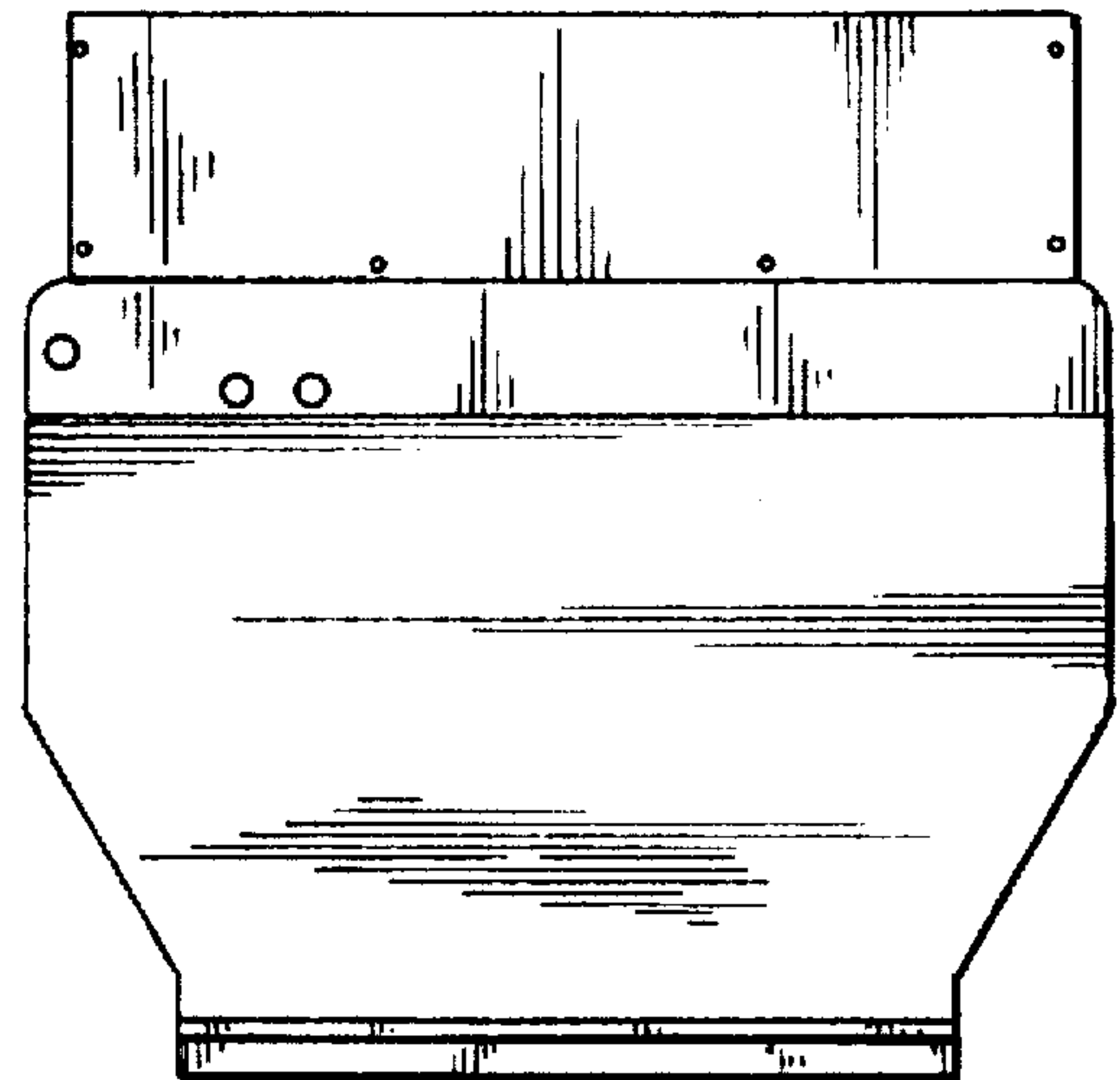


FIG. 5

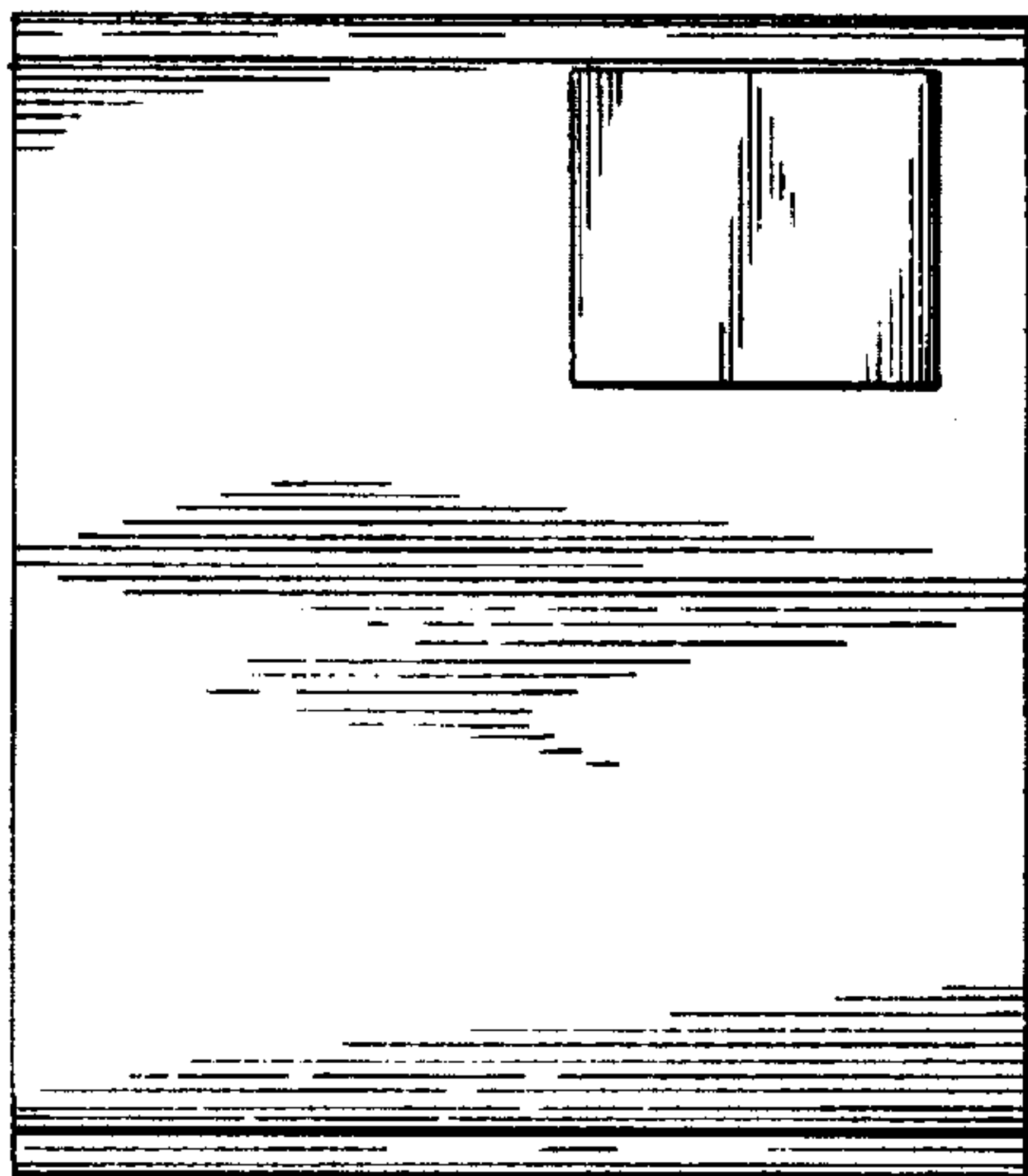


FIG. 6

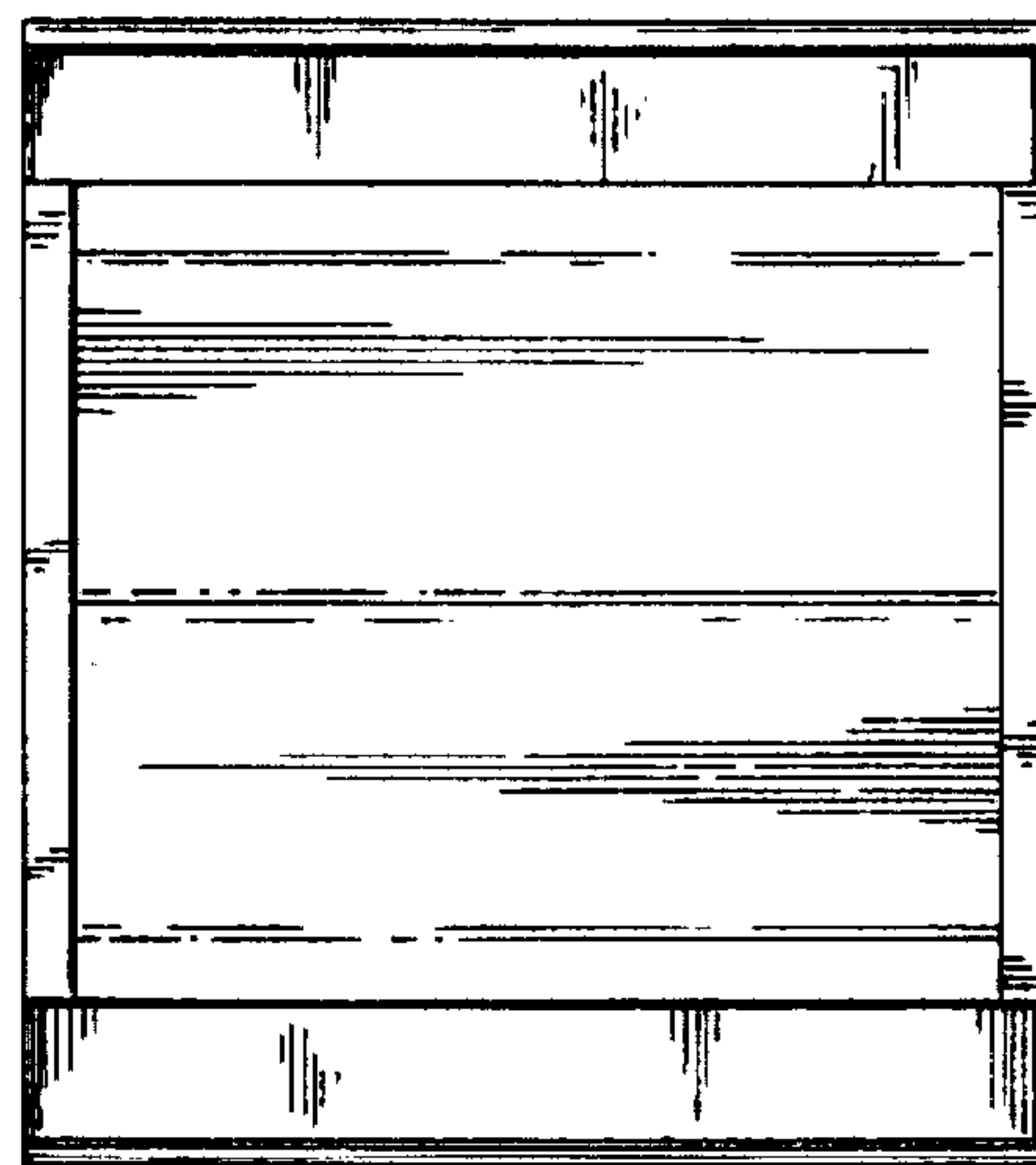


FIG. 7