



US00D396275S

United States Patent [19]
Pearson

[11] **Patent Number:** **Des. 396,275**
[45] **Date of Patent:** ****Jul. 21, 1998**

[54] **AIR TREATMENT APPARATUS**
[75] **Inventor:** **Allen Pearson, Cambridge, England**
[73] **Assignee:** **Reckitt & Colman Products Limited, London, United Kingdom**
[**] **Term:** **14 Years**
[21] **Appl. No.:** **72,024**
[22] **Filed:** **Jun. 4, 1997**
[30] **Foreign Application Priority Data**
Dec. 13, 1996 [GB] **United Kingdom** 2061741
[51] **LOC (6) Cl.** **23-04**
[52] **U.S. Cl.** **D23/355; D23/366**
[58] **Field of Search** **D23/366-369, D23/355; 239/34, 57, 58, 59, 60; 422/123, 305**

D. 288,003 1/1987 Hoyt D23/366
D. 366,521 1/1996 Wijardnakula D23/366

Primary Examiner—Lisa Lichtenstein
Attorney, Agent, or Firm—Fish & Richardson P.C.

[57] **CLAIM**

The ornamental design for an air treatment apparatus, as shown.

DESCRIPTION

FIG. 1 is a front and left side perspective view of an air treatment apparatus showing my new design;
FIG. 2 is a right side elevational view thereof;
FIG. 3 is a rear and right side perspective view thereof;
FIG. 4 is a left side elevational view thereof;
FIG. 5 is a front elevational view thereof;
FIG. 6 is a bottom plan view thereof;
FIG. 7 is a rear elevational view thereof; and,
FIG. 8 is a top plan view thereof.

[56] **References Cited**

U.S. PATENT DOCUMENTS

D. 262,652 1/1982 Jaeschke et al. D23/369

1 Claim, 4 Drawing Sheets

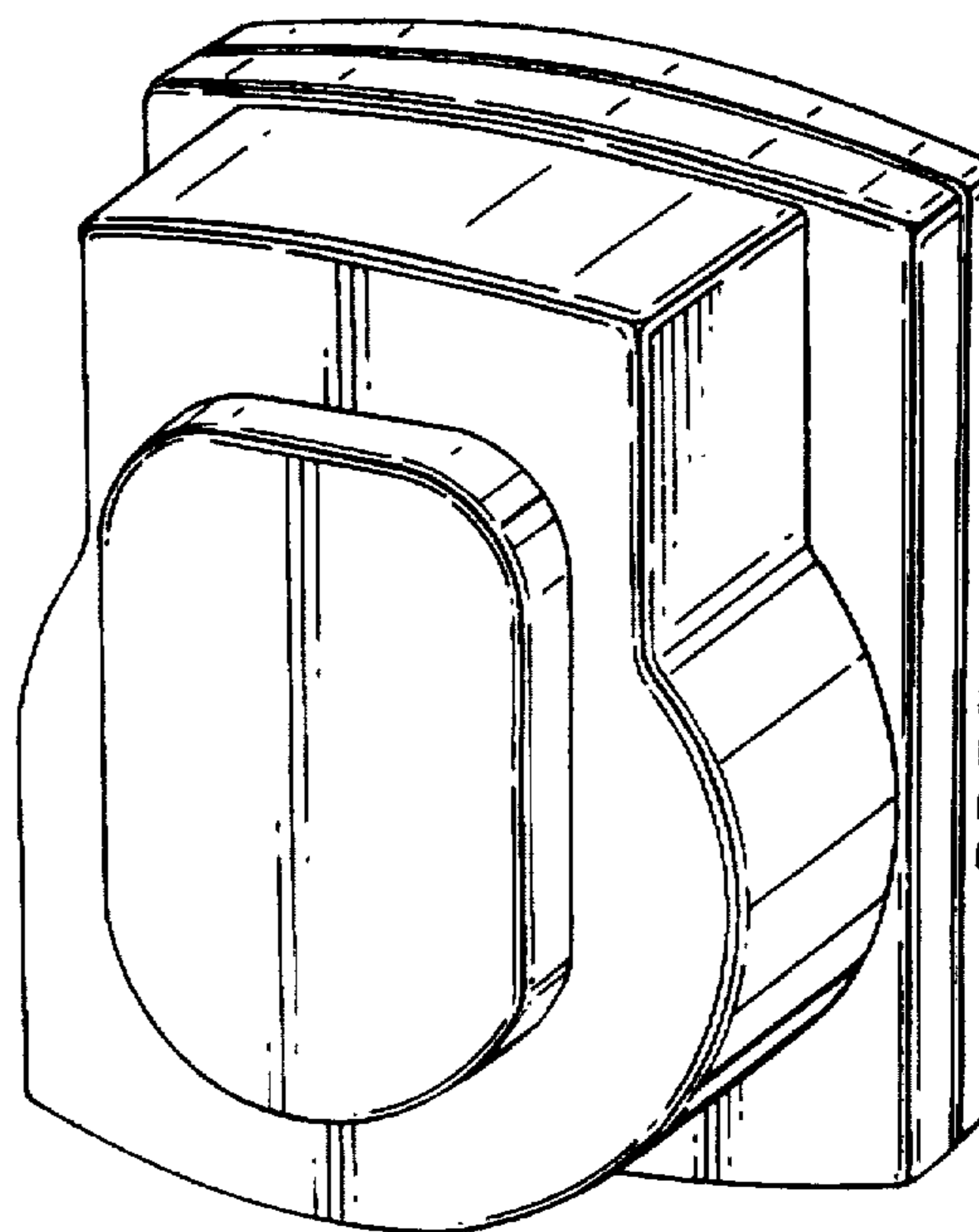
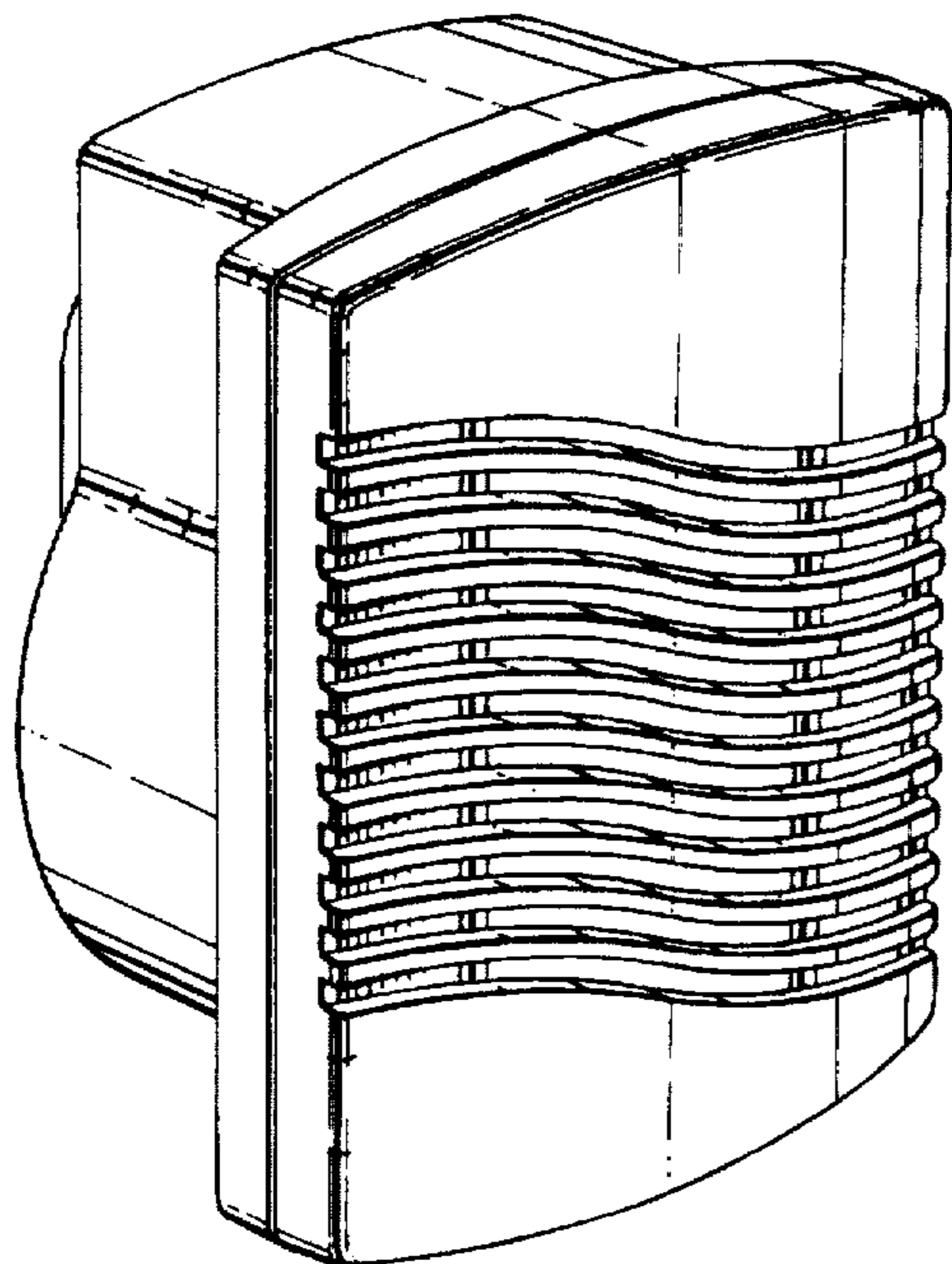


Fig.1.

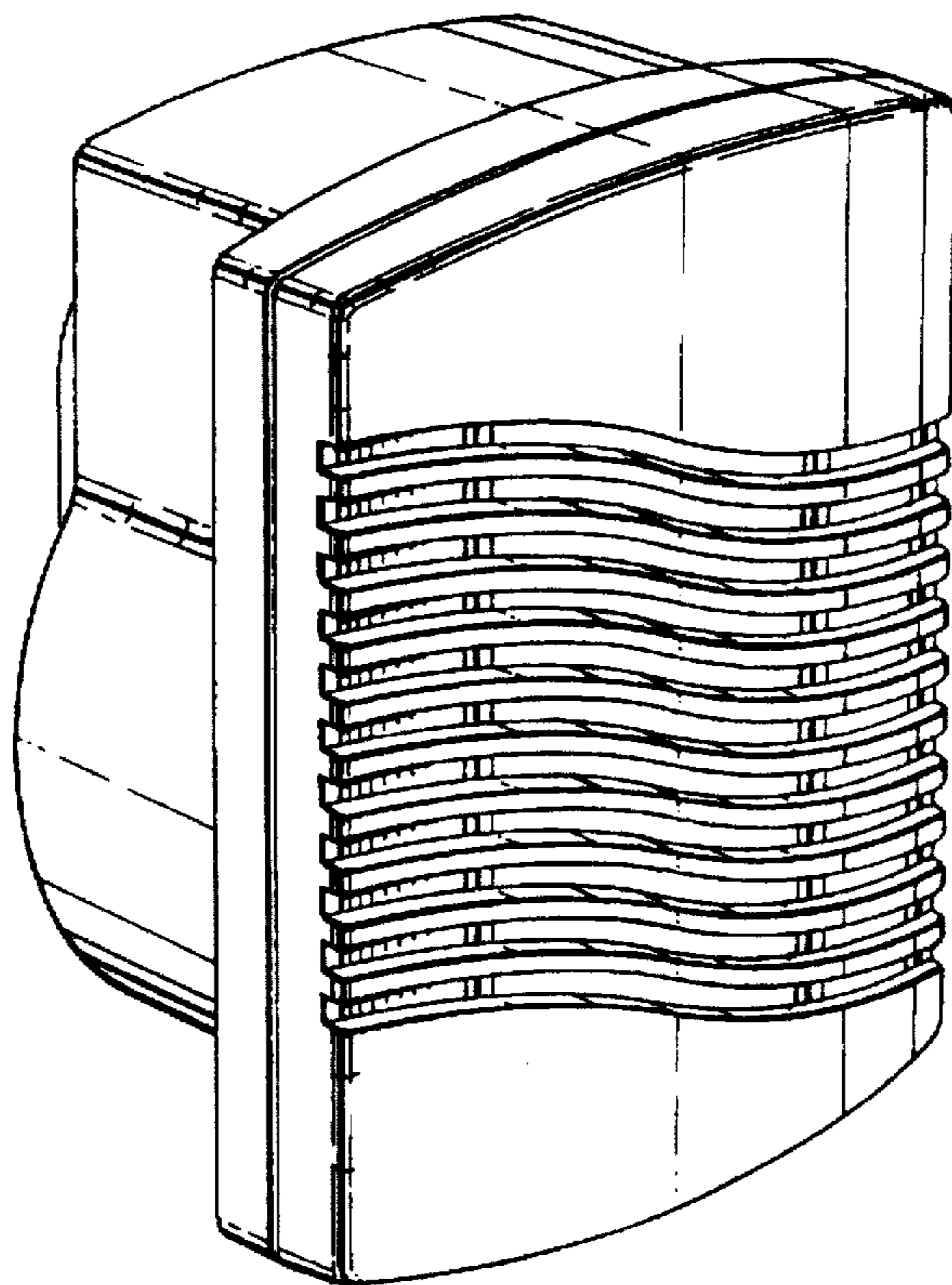


Fig.2.

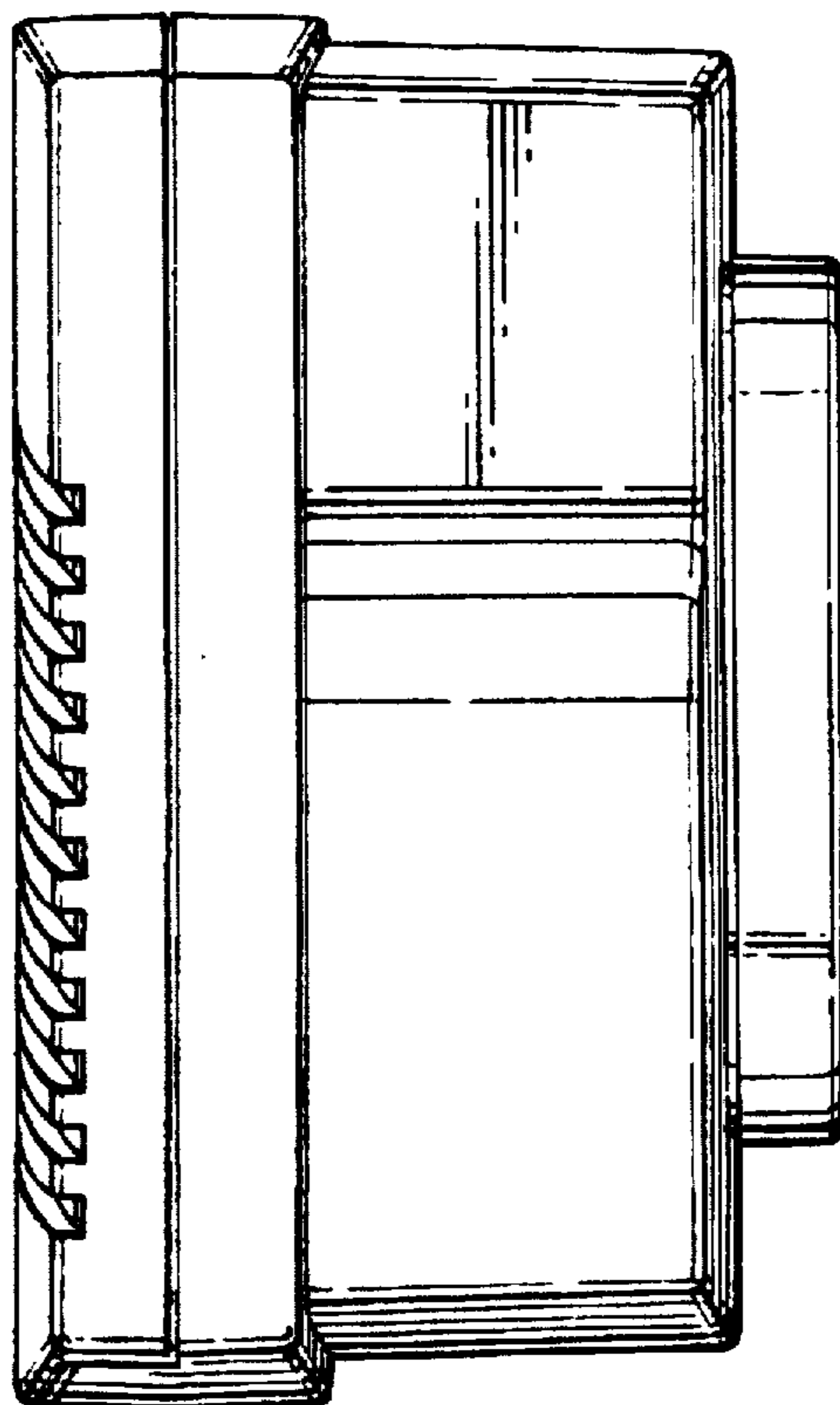


Fig.3.

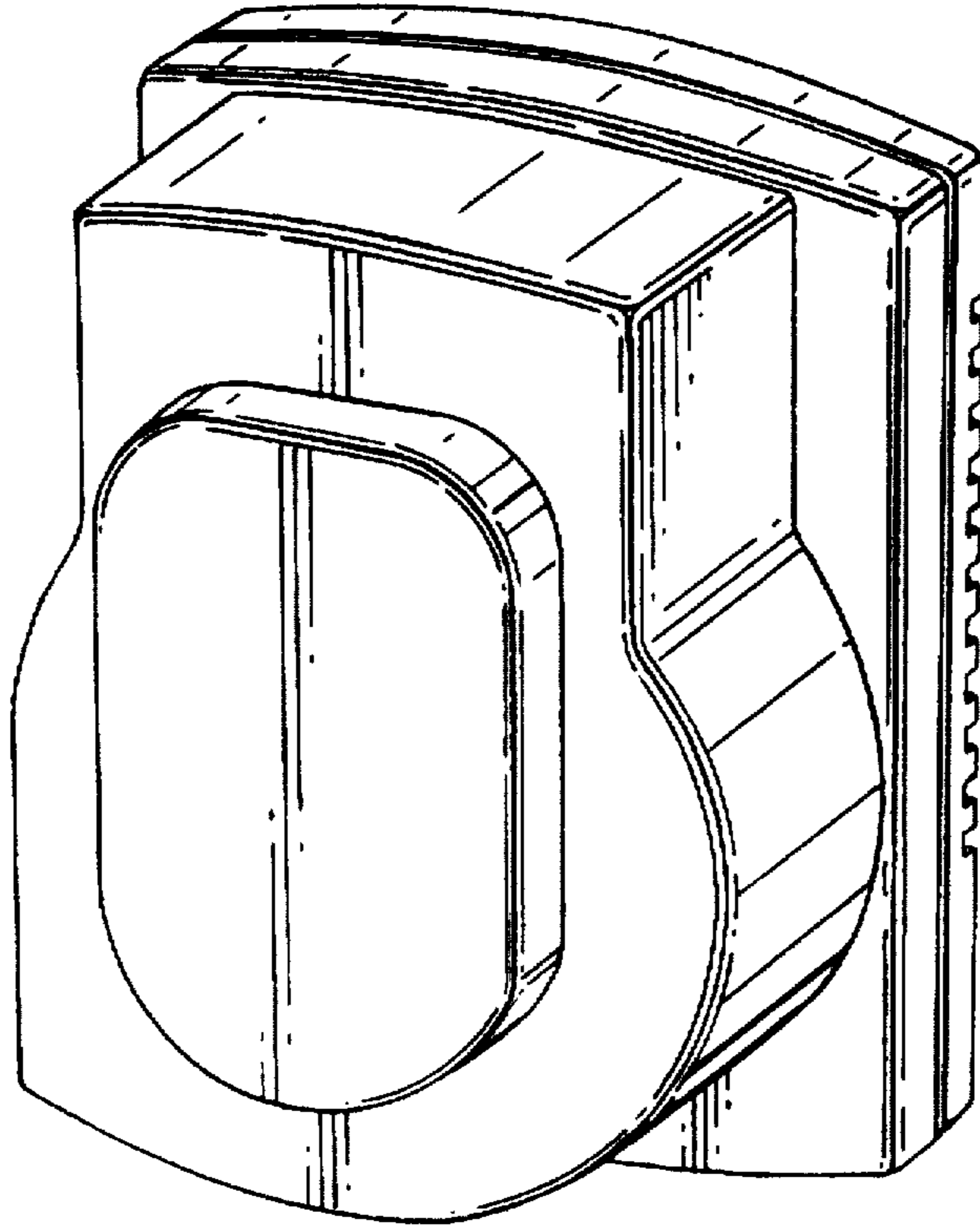


Fig.4.

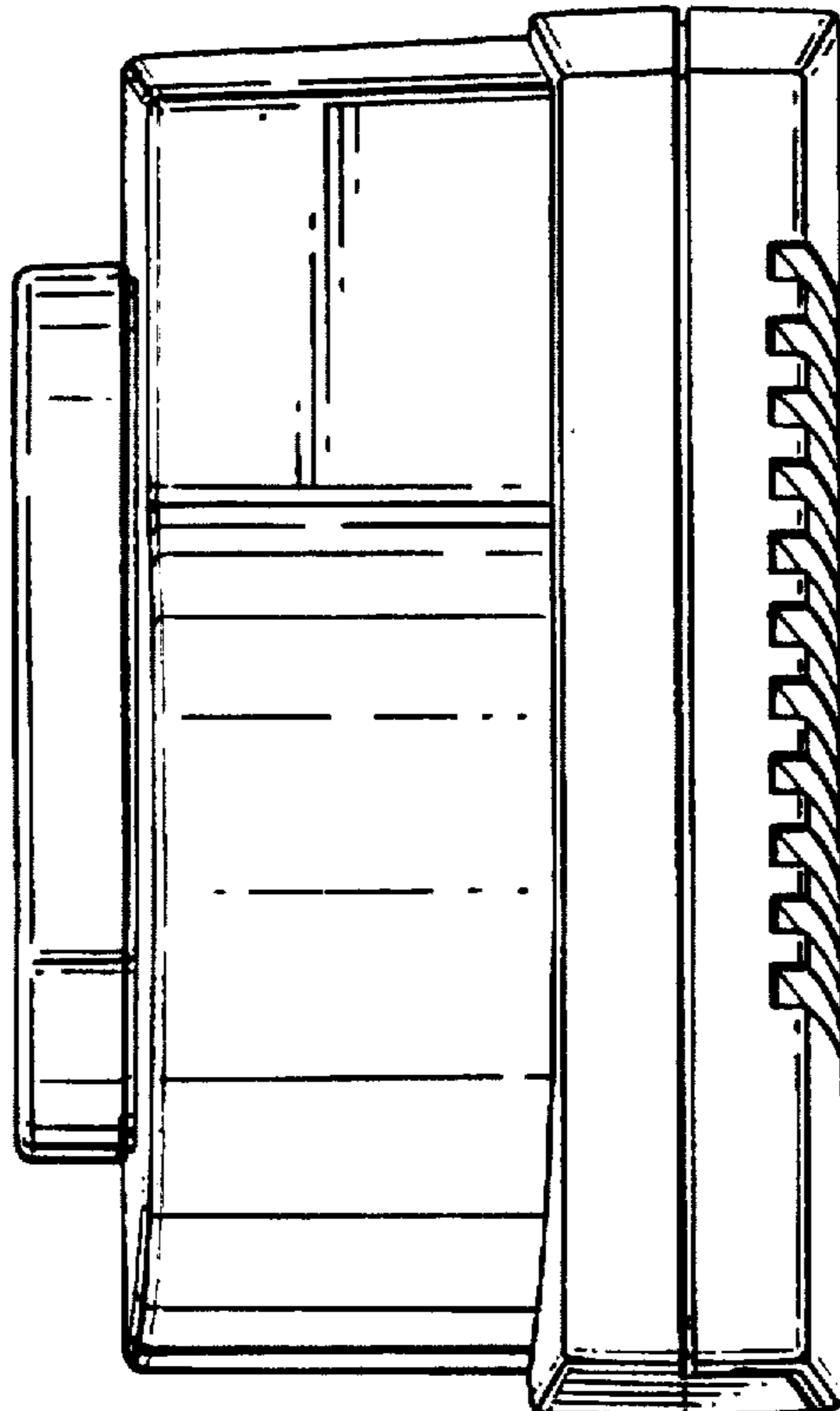


Fig.5.

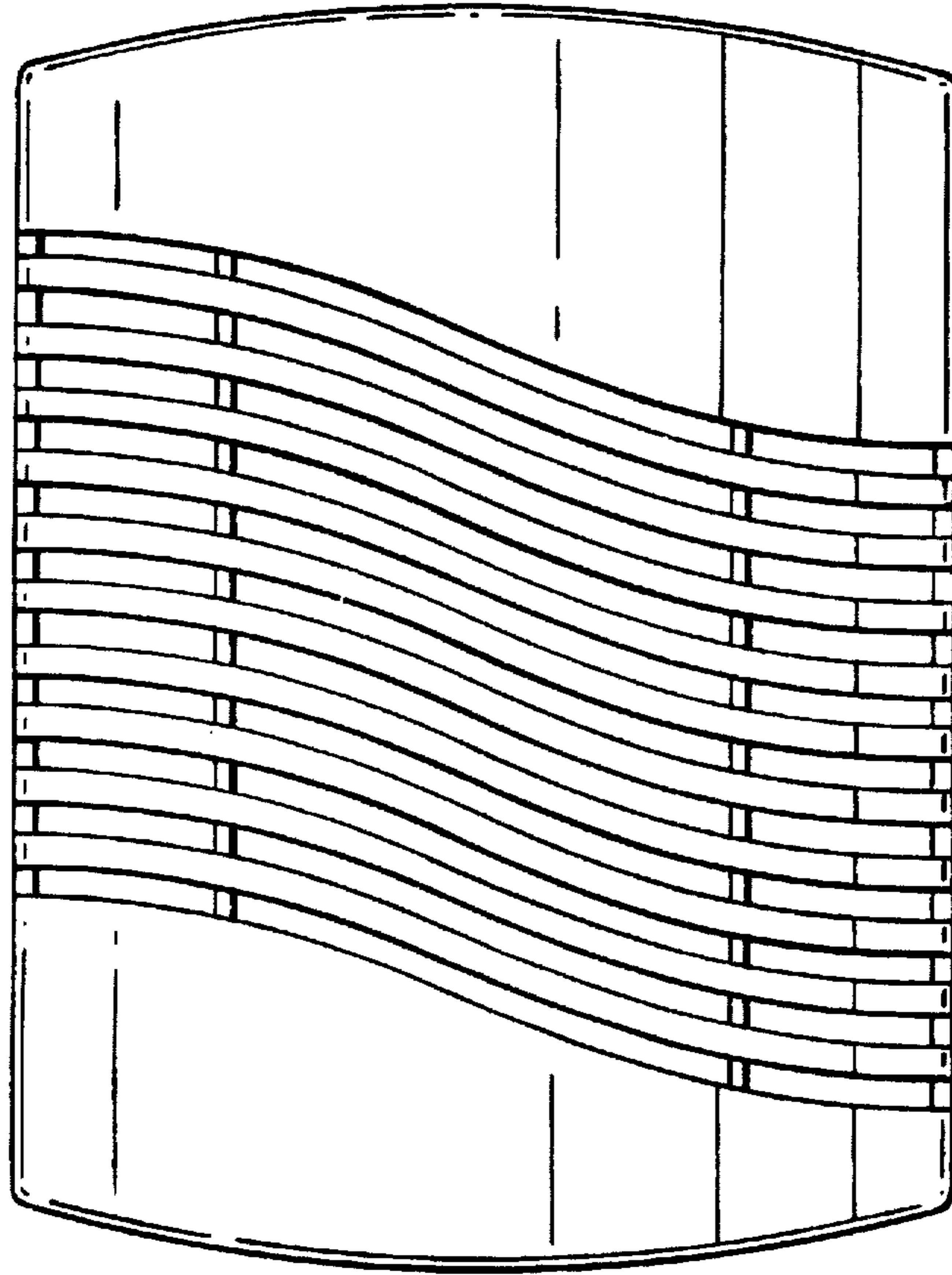


Fig.6.

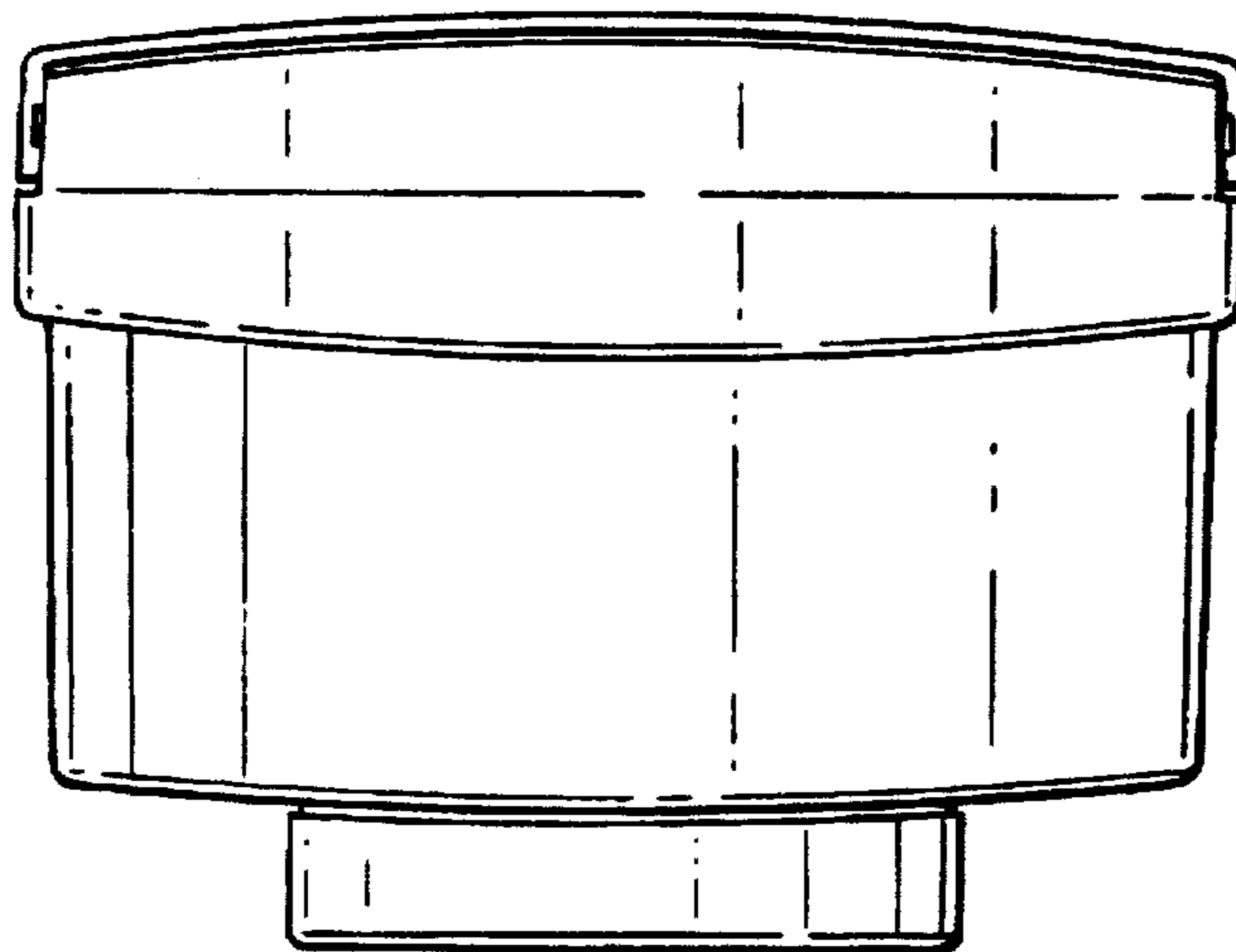


Fig.7.

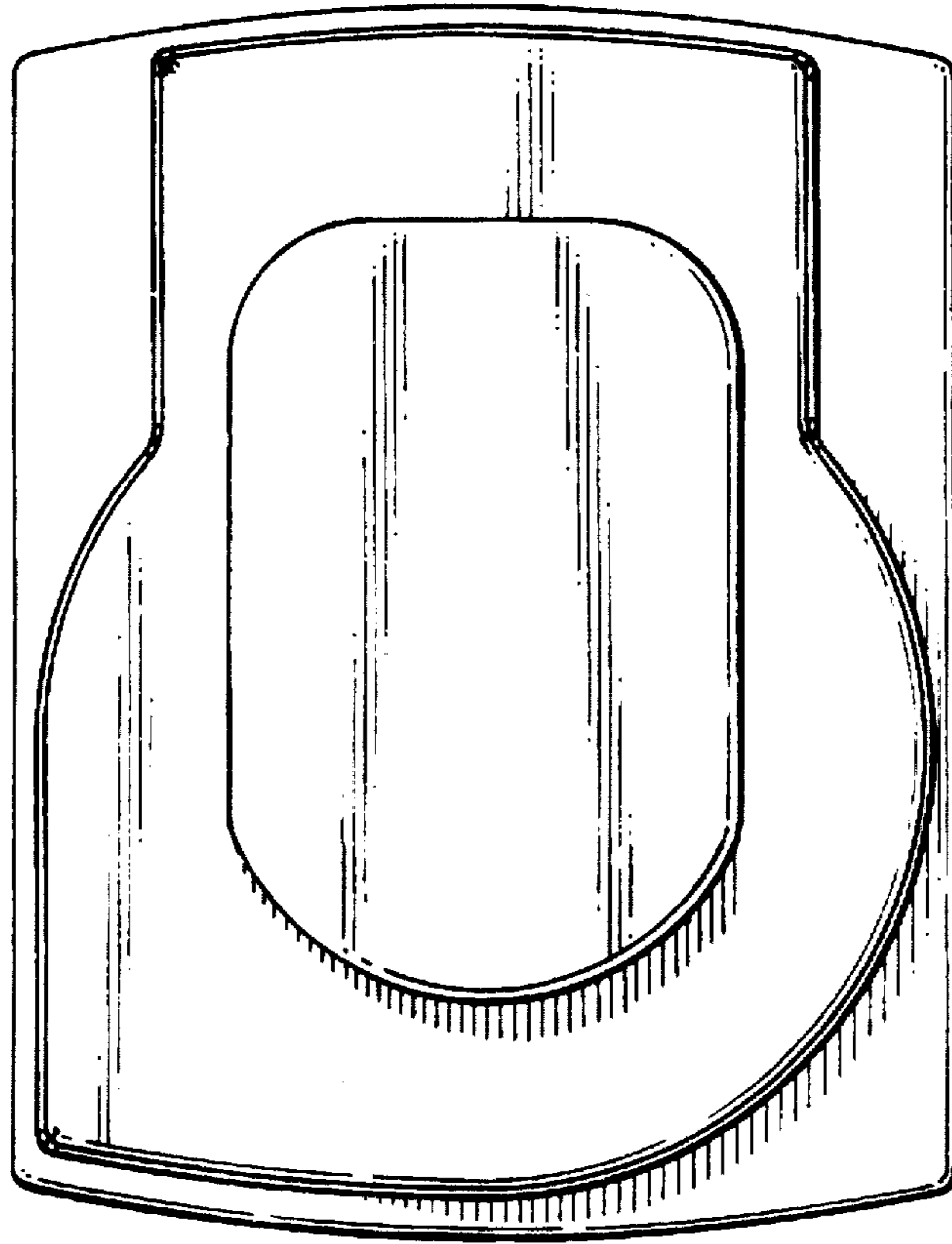


Fig.8.

