



US00D396273S

**United States Patent** [19]  
**Delawder**

[11] **Patent Number:** **Des. 396,273**  
[45] **Date of Patent:** **\*\*Jul. 21, 1998**

[54] **SHOWER SPLASH GUARD**

5,371,908 12/1994 *Secodine* ..... 4/609  
5,493,738 2/1996 *Sanderson et al.* ..... 4/609

[76] **Inventor:** **Eric L. Delawder**, 1721 S. Lake Storey Rd., Galesburg, Ill. 61401

*Primary Examiner*—Louis S. Zarfes  
*Assistant Examiner*—Eric Watterson  
*Attorney, Agent, or Firm*—David L. Volk

[\*\*] **Term:** **14 Years**

[21] **Appl. No.:** **76,780**

[57] **CLAIM**

[22] **Filed:** **Sep. 19, 1997**

The ornamental design for a shower splash guard, as shown and described.

[51] **LOC (6) Cl.** ..... **23-02**

[52] **U.S. Cl.** ..... **D23/307**

[58] **Field of Search** ..... D23/304, 307;  
4/559, 584, 658, 661

**DESCRIPTION**

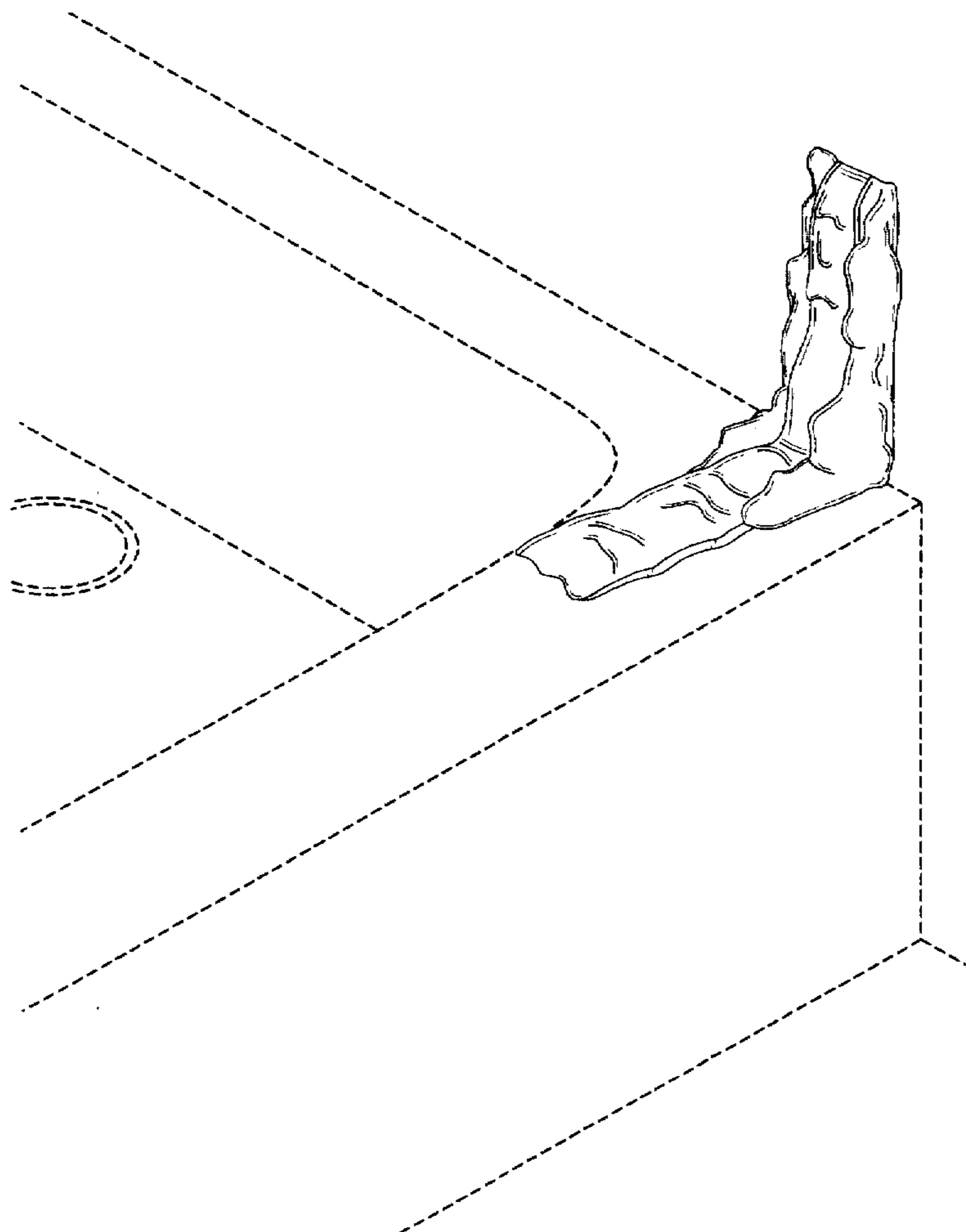
FIG. 1 is a perspective view of a shower splash guard showing my new design;  
FIG. 2 is a perspective view thereof, shown without the environmental structure;  
FIG. 3 is a right side elevational view thereof;  
FIG. 4 is a left side elevational view thereof;  
FIG. 5 is a front elevational view thereof;  
FIG. 6 is a rear elevational view thereof;  
FIG. 7 is a top plan view thereof; and,  
FIG. 8 is a bottom plan view thereof.  
The broken line illustration shows environmental structure and forms no part of the claimed invention.

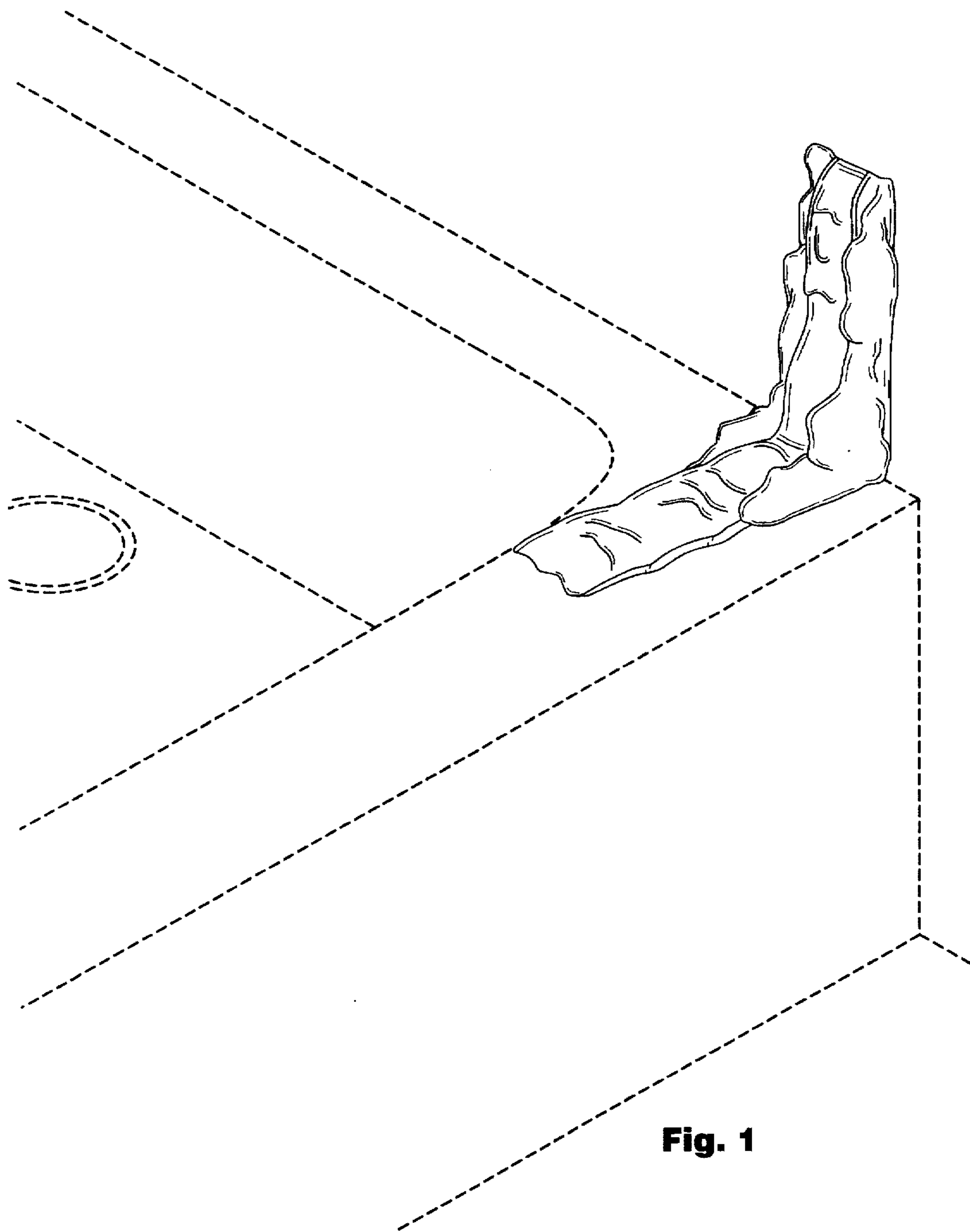
[56] **References Cited**

**U.S. PATENT DOCUMENTS**

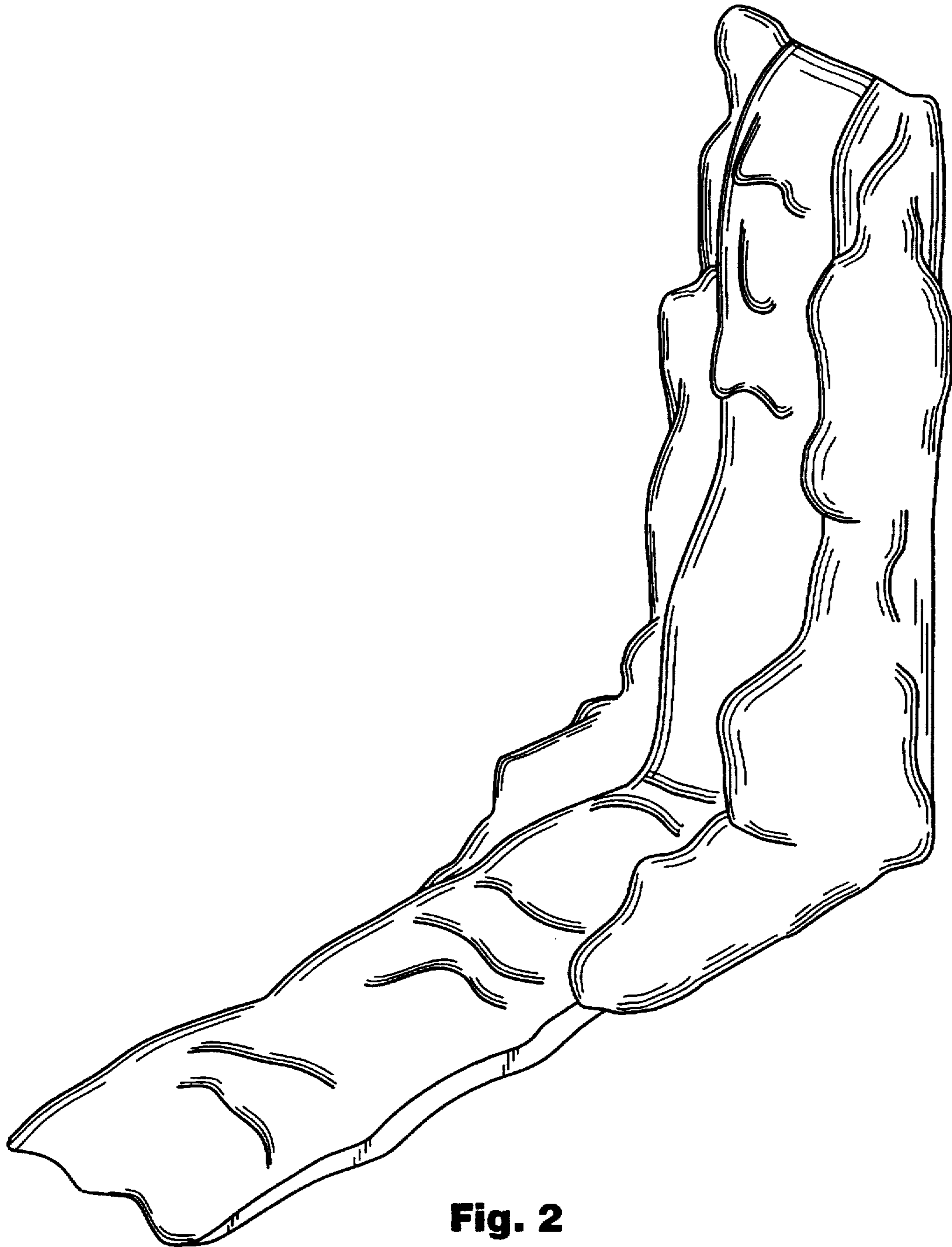
D. 218,827	9/1970	Weaver	.....	D23/307
D. 253,188	10/1979	Baugas	.....	D23/307
D. 284,024	5/1986	Olson	.....	D23/304
D. 297,157	8/1988	Eder	.....	D23/307
D. 306,900	3/1990	Walton	.....	D23/307
D. 362,054	9/1995	Amway	.....	D23/307
3,952,337	4/1976	Hansow	.....	4/148
4,473,911	10/1984	Germain	.....	4/609
4,620,332	11/1986	Laird	.....	4/559

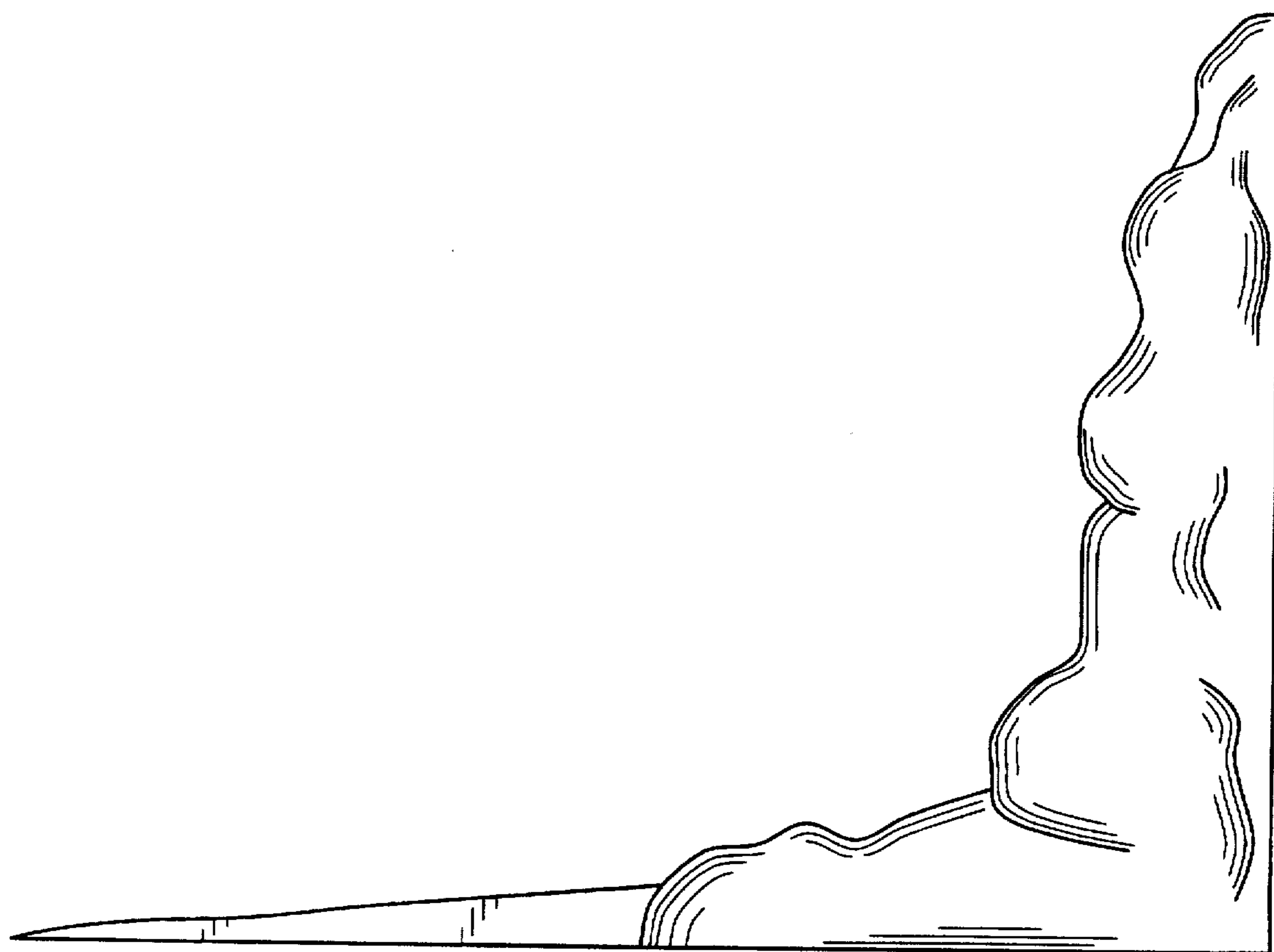
**1 Claim, 6 Drawing Sheets**



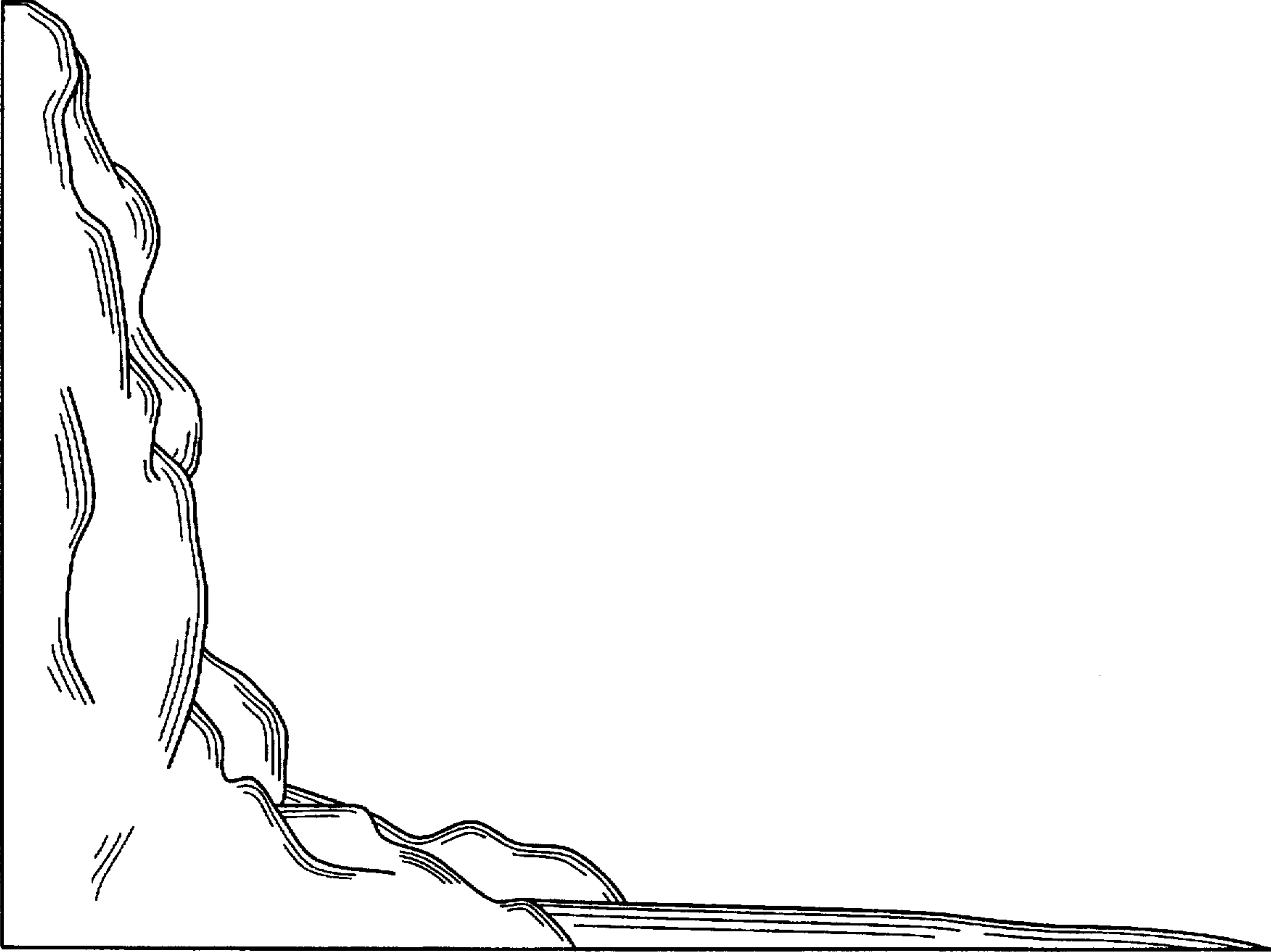


**Fig. 1**

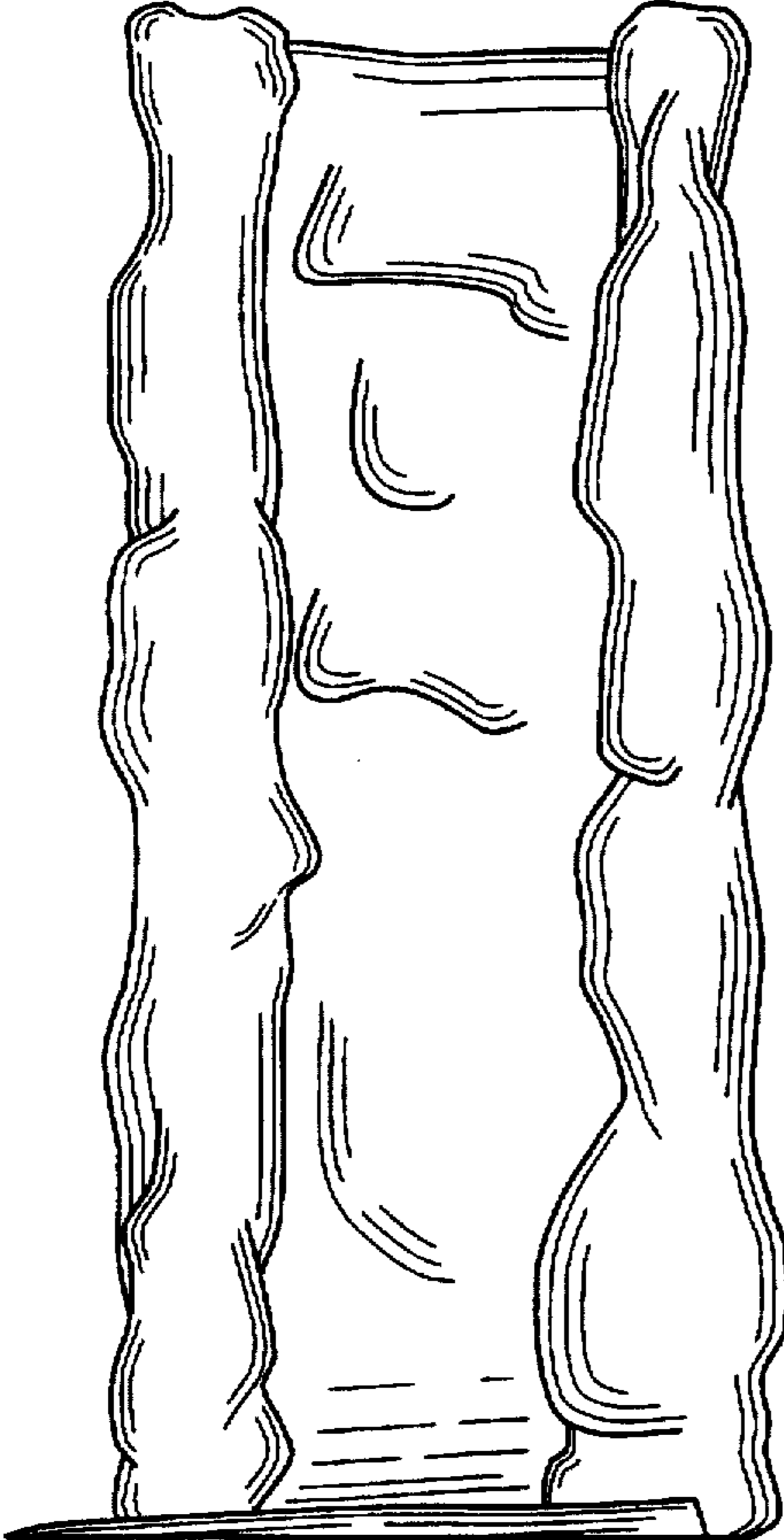




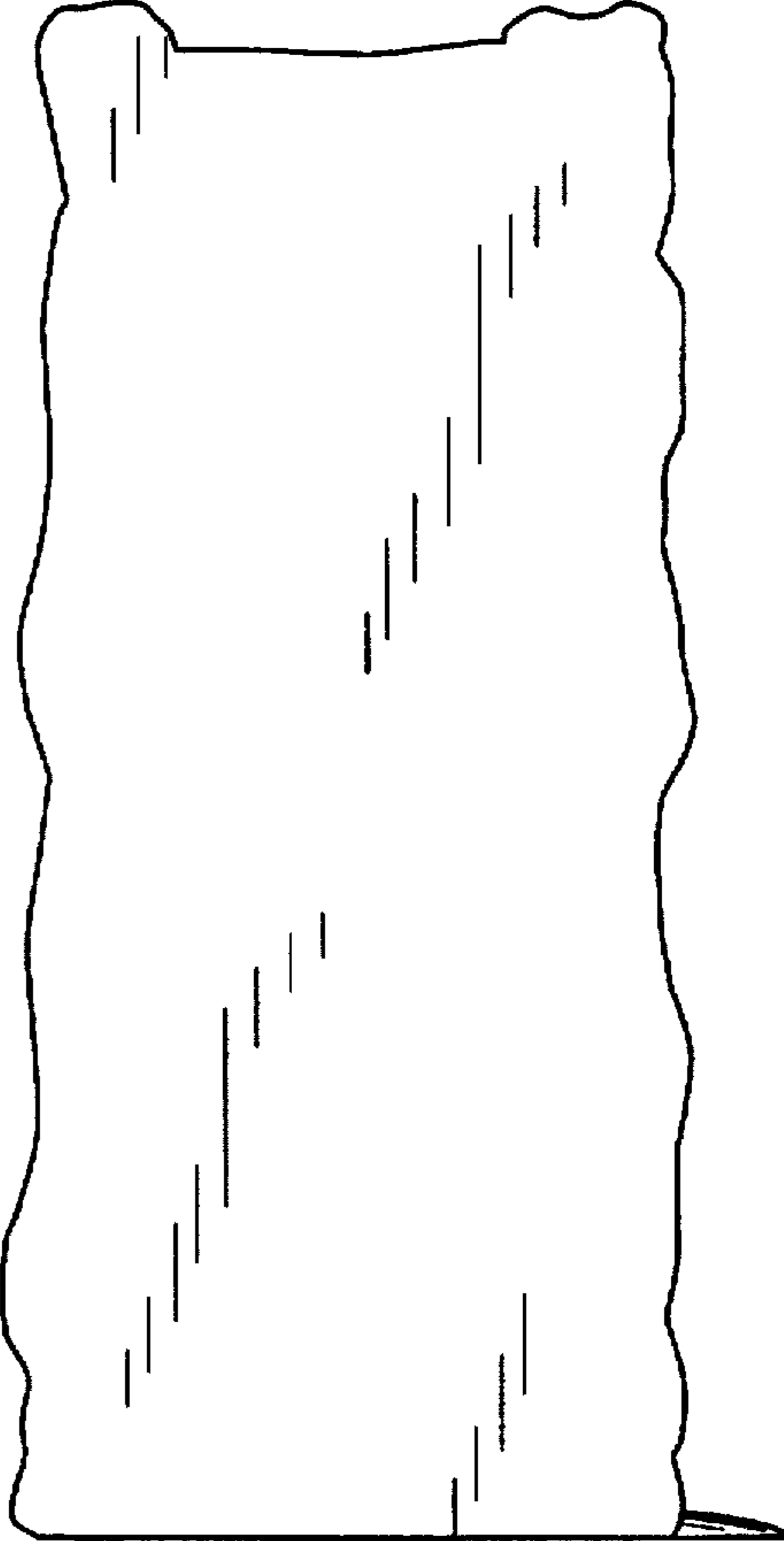
**Fig. 3**



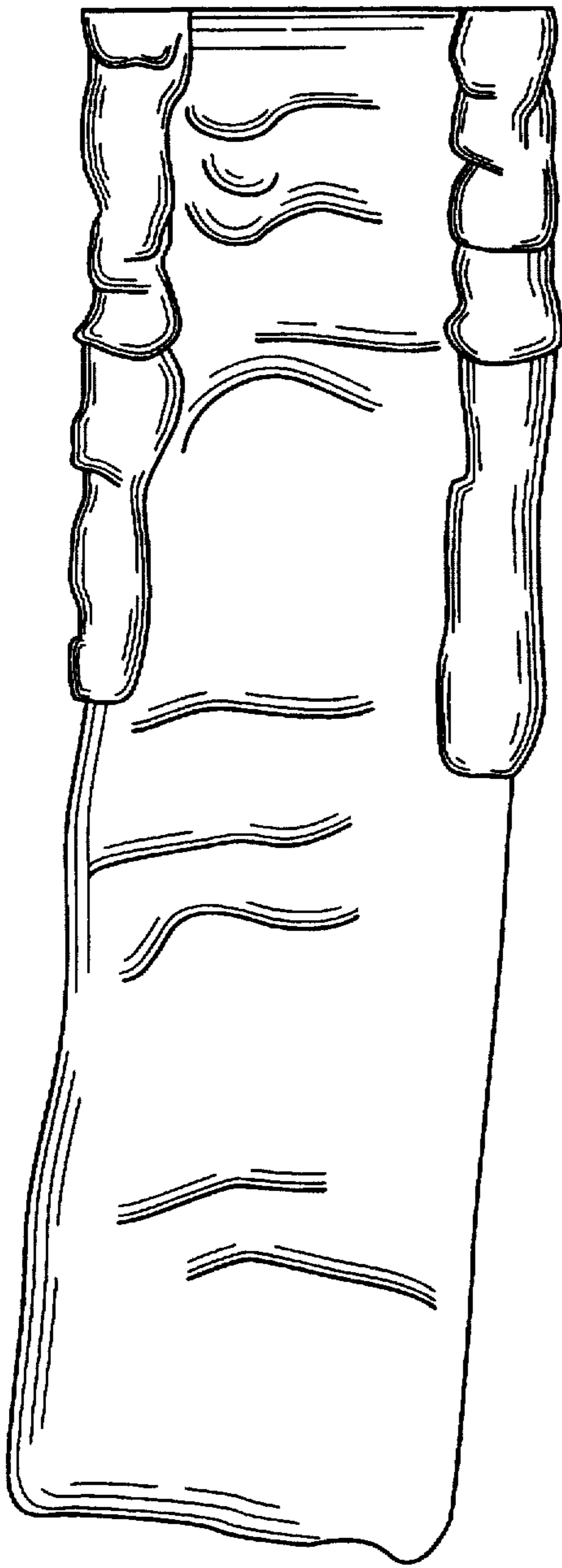
**Fig. 4**



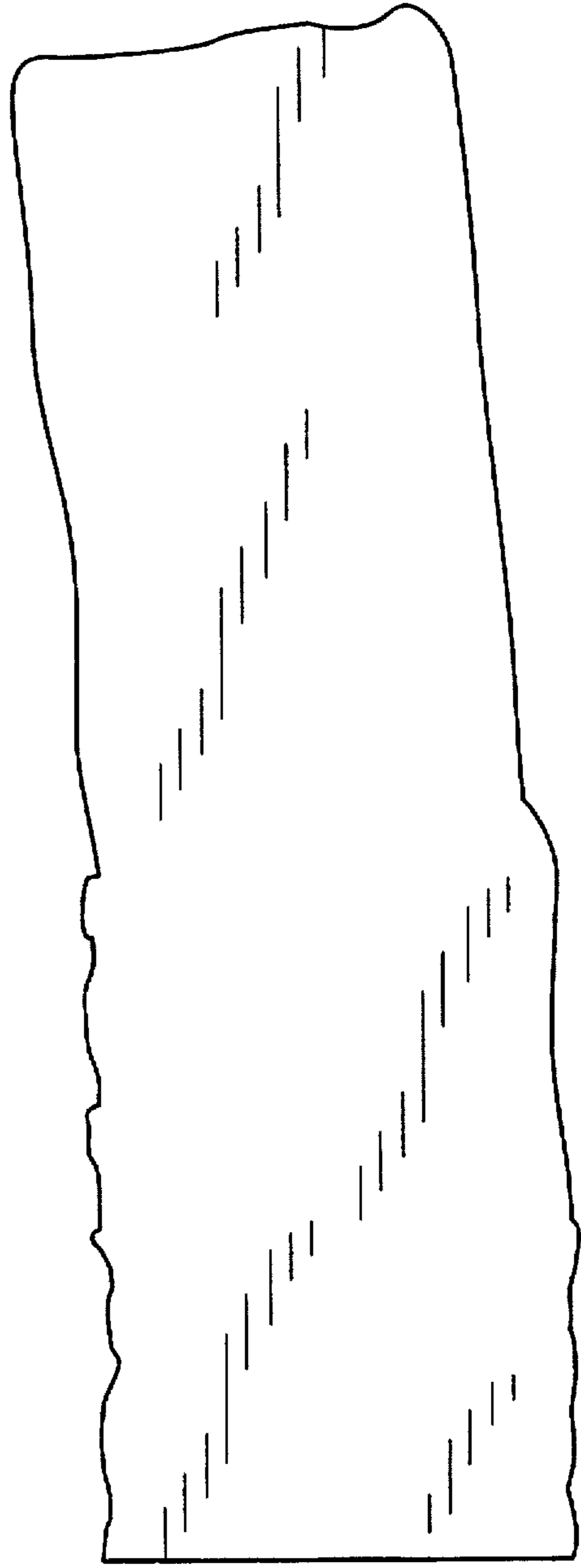
**Fig. 5**



**Fig. 6**



**Fig. 7**



**Fig. 8**