

US00D396272S

United States Patent [19]
Garza

[11] **Patent Number:** **Des. 396,272**
[45] **Date of Patent:** ****Jul. 21, 1998**

[54] **TOILET**

[76] **Inventor:** **Marcelo Garza Laguera Garza.**
Acambaro No. 459, Col. CD. Industrial,
36541 Irapuato, Guanajuato, Mexico

[**] **Term:** **14 Years**

[21] **Appl. No.:** **70,007**

[22] **Filed:** **Apr. 25, 1997**

[30] **Foreign Application Priority Data**

Oct. 25, 1996 [MX] Mexico 961069

[51] **LOC (6) Cl.** **23-02**

[52] **U.S. Cl.** **D23/301**

[58] **Field of Search** D23/295, 298,
D23/299, 300, 301, 353, 421, 424, 428,
430, 664, DIG. 2

[56] **References Cited**

U.S. PATENT DOCUMENTS

D. 116,810 9/1939 Upitues D23/301

D. 323,551 1/1992 Fait D23/301
D. 326,904 6/1992 Waldren D23/301
D. 368,134 3/1996 Reid D23/301

Primary Examiner—Louis S. Zarfes
Assistant Examiner—Eric Watterson
Attorney, Agent, or Firm—Pravel, Hewitt, Kimball &
Krieger

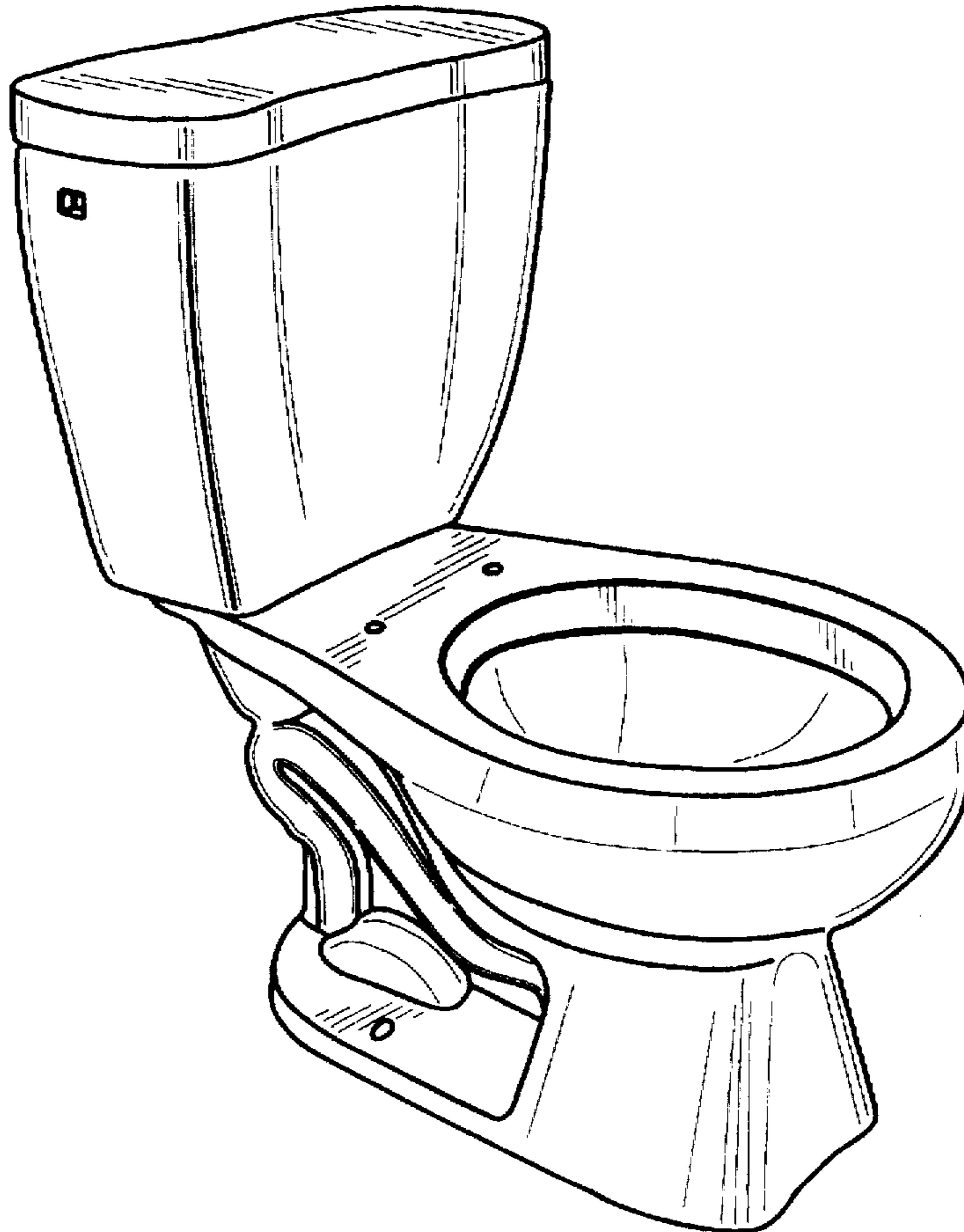
[57] **CLAIM**

The ornamental design for a toilet, as shown.

DESCRIPTION

FIG. 1 is an isometric view showing the ornamental design for a toilet according to the present invention;
FIG. 2 is a front elevation view of the toilet of FIG. 1;
FIG. 3 is a top plan view of the toilet of FIG. 1;
FIG. 4 is a left side elevation view of the toilet of FIG. 1;
FIG. 5 is a right side elevation view of the toilet of FIG. 1;
and,
FIG. 6 is a rear elevation view of the toilet of FIG. 1.
The bottom view of the toilet of FIG. 1 is plain and unornamented.

1 Claim, 2 Drawing Sheets



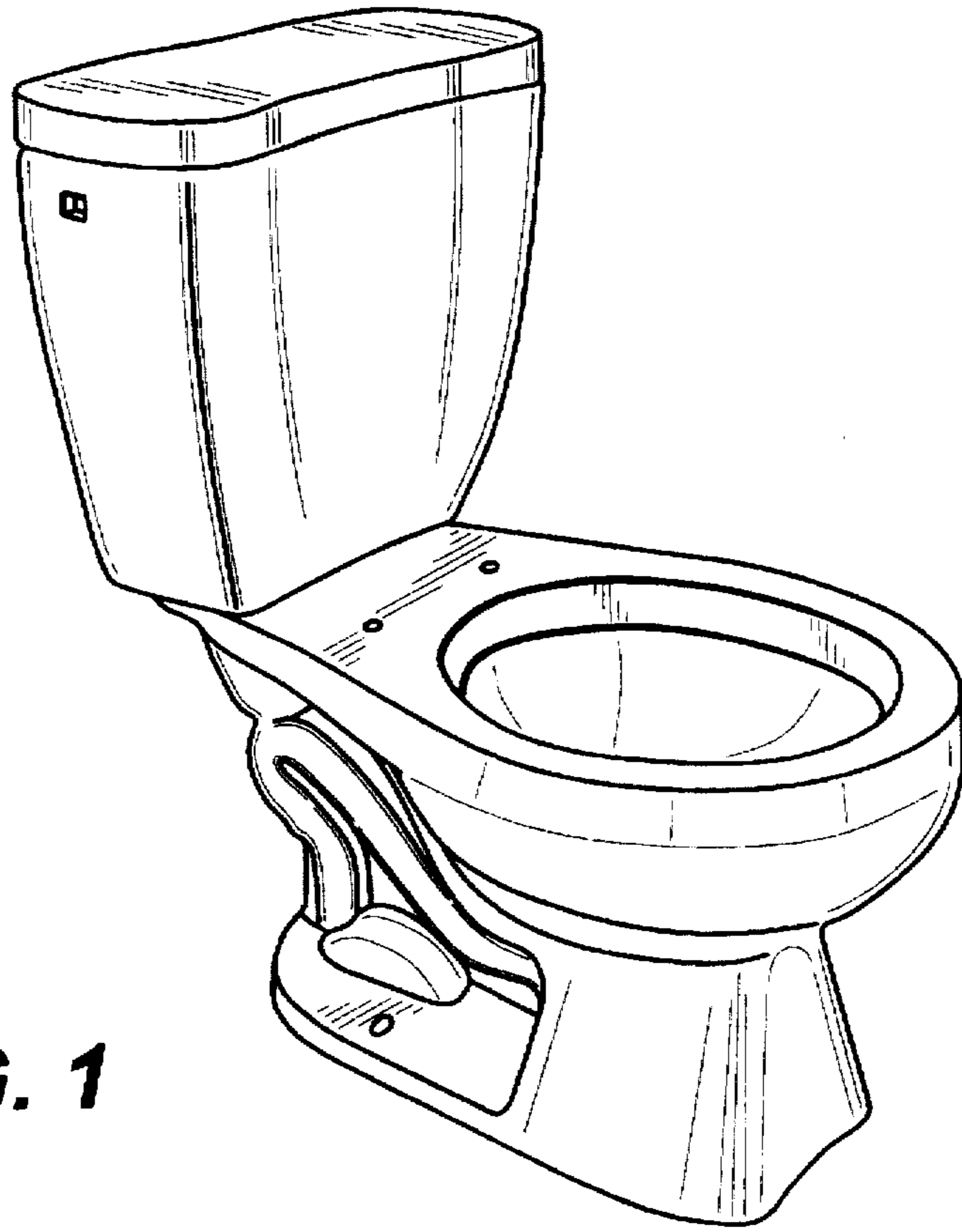


FIG. 1

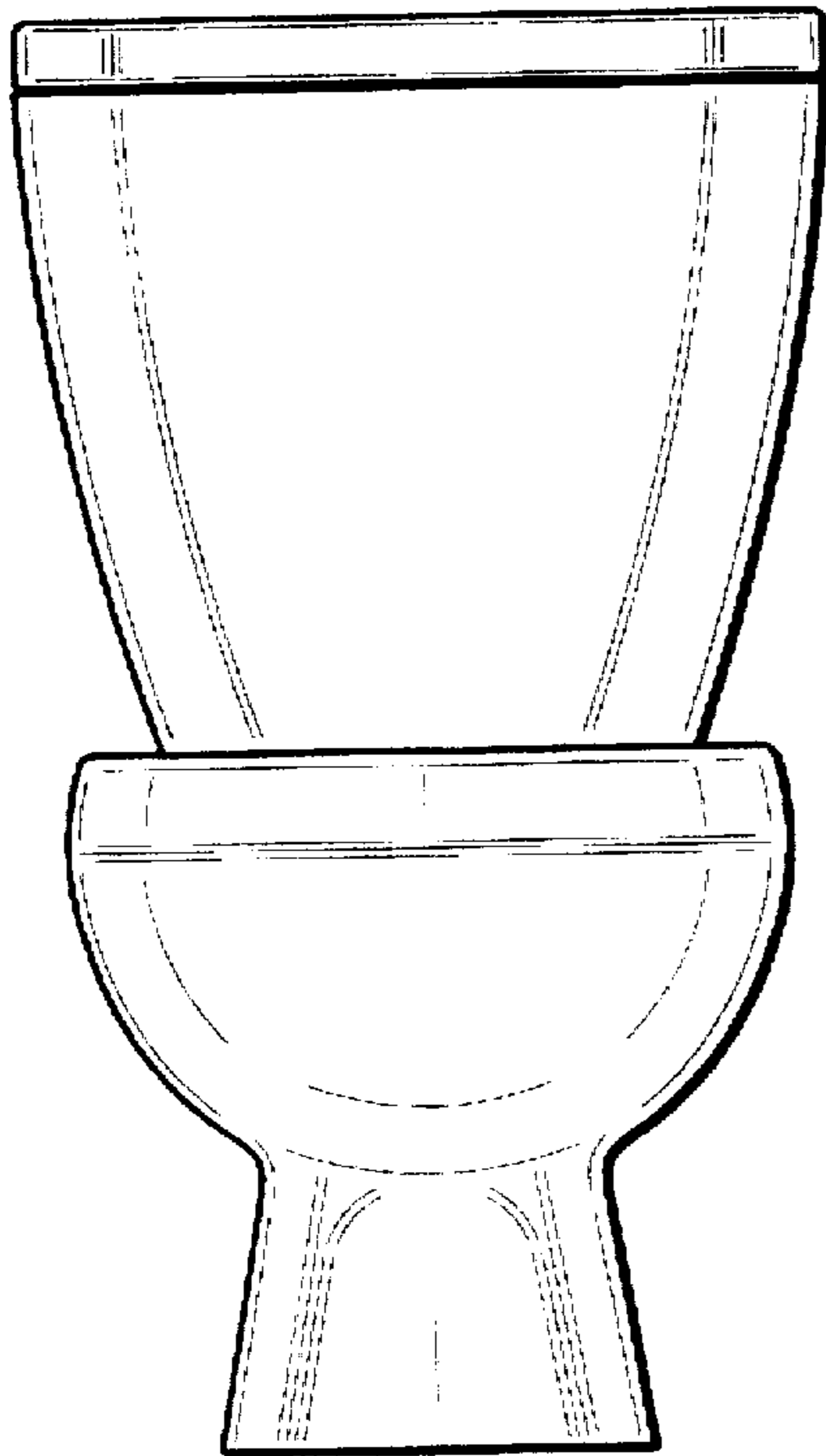


FIG. 2

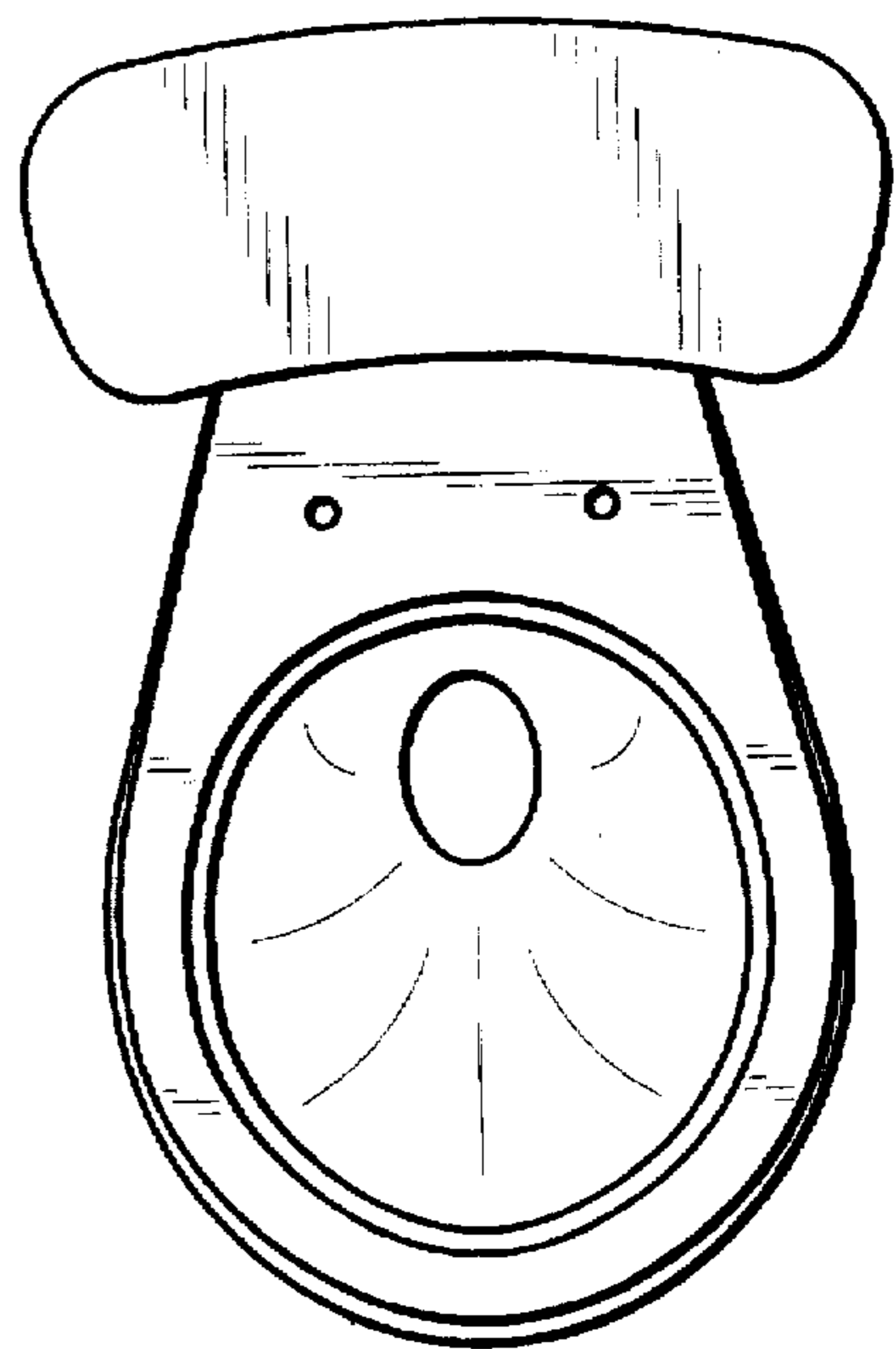


FIG. 3

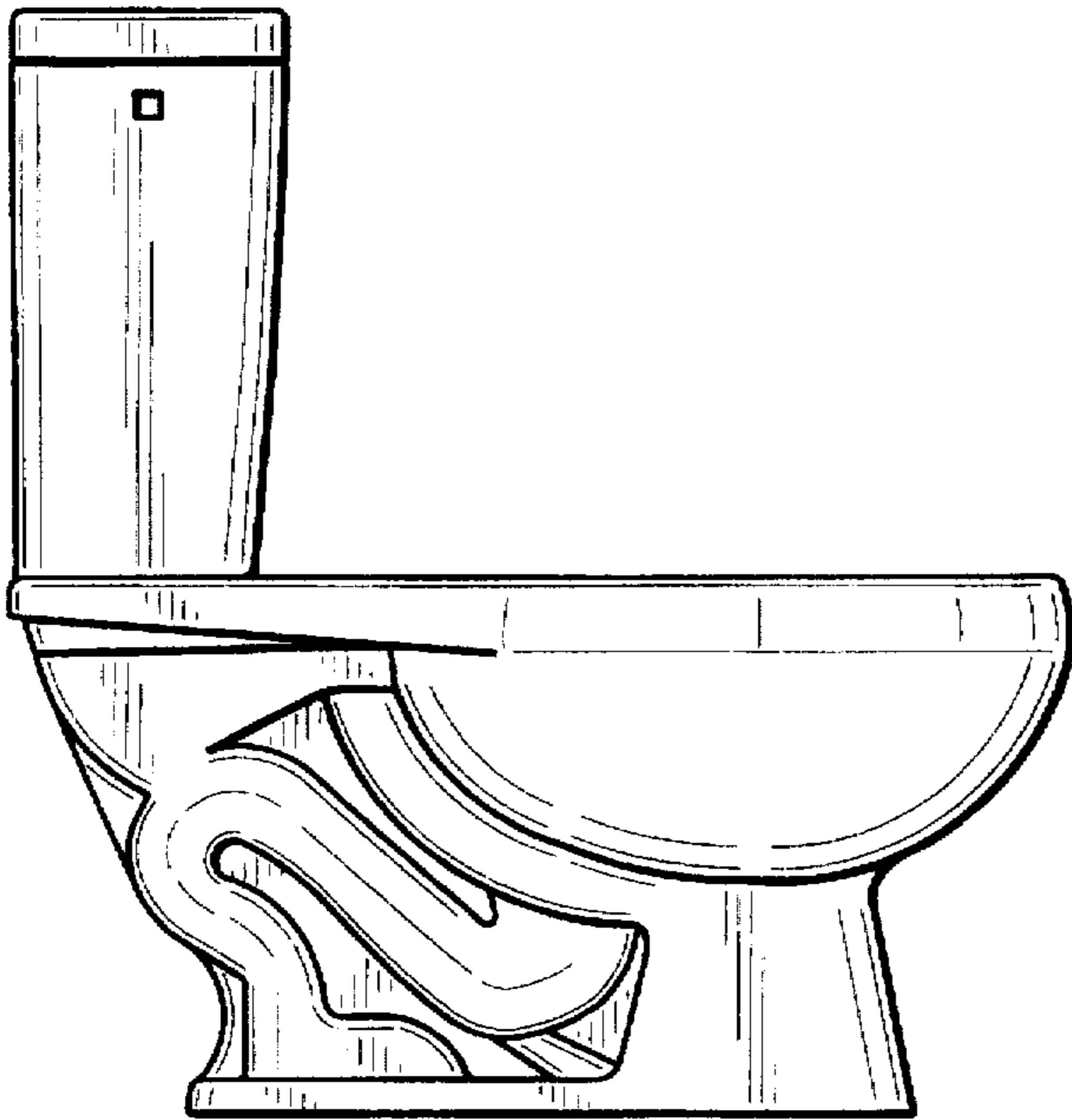


FIG. 4

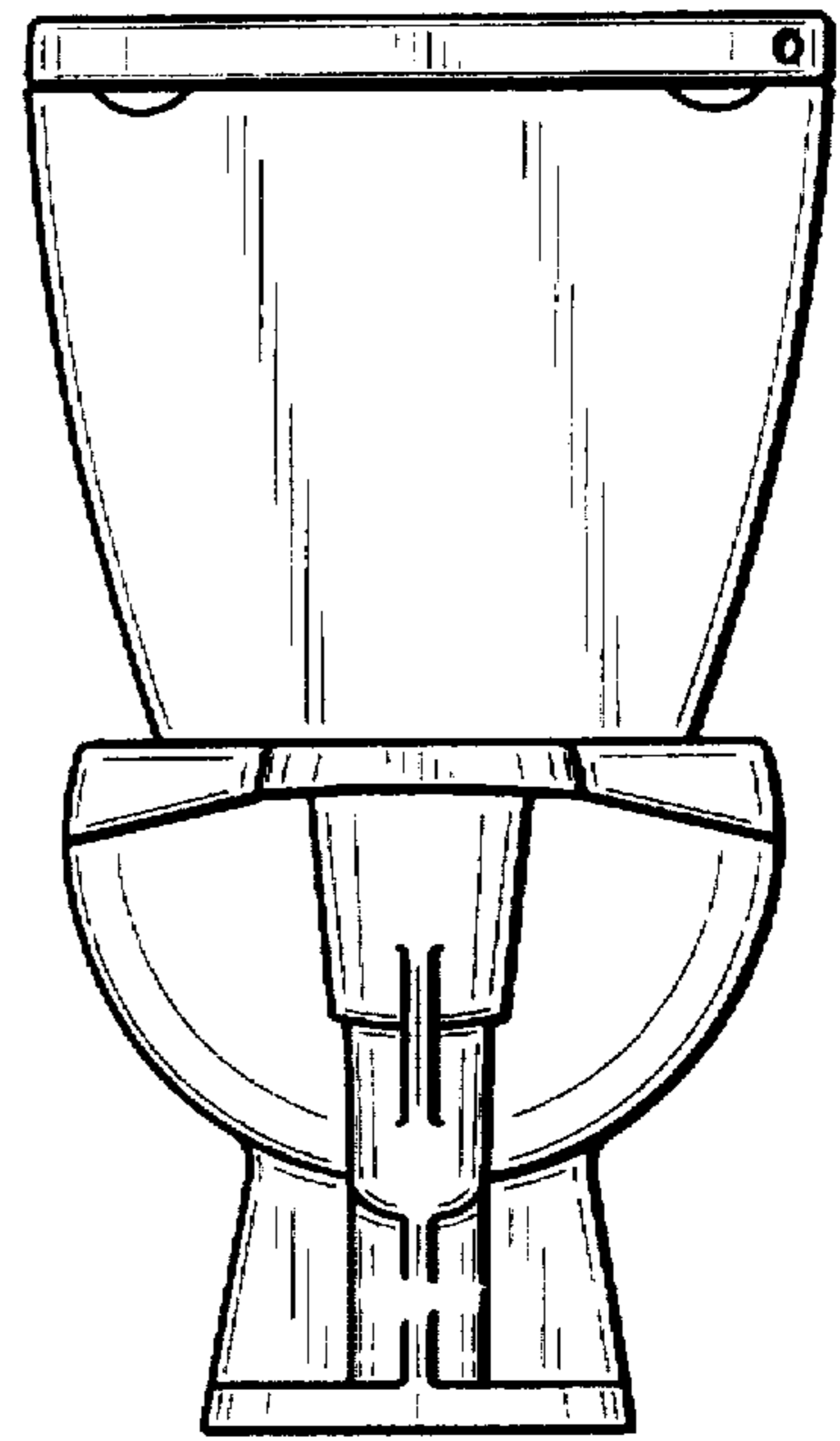


FIG. 6

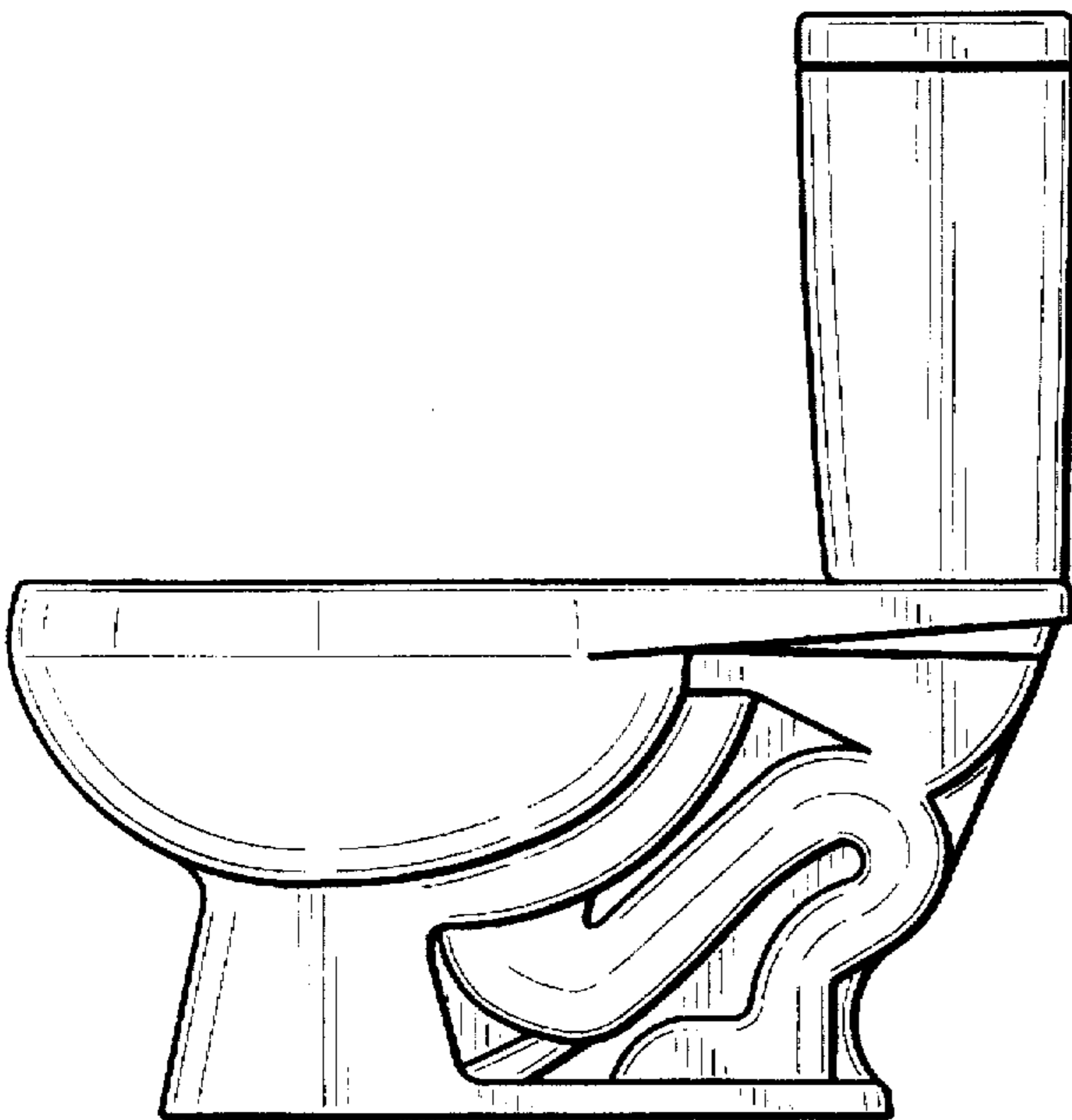


FIG. 5