

US00D396270S

**United States Patent** [19]  
**Slothower**

[11] **Patent Number:** **Des. 396,270**  
[45] **Date of Patent:** **\*\*Jul. 21, 1998**

[54] **PEDESTAL LAVATORY**

[75] **Inventor:** **Erich D. Slothower, Sheboygan, Wis.**

[73] **Assignee:** **Sterling Plumbing Group, Inc.,  
Rolling Meadows, Ill.**

[\*\*] **Term:** **14 Years**

[21] **Appl. No.:** **58,234**

[22] **Filed:** **Aug. 9, 1996**

[51] **LOC (6) Cl.** ..... **23-02**

[52] **U.S. Cl.** ..... **D23/292**

[58] **Field of Search** ..... **D23/284, 285,  
D23/290, 291, 292, 293.1; 4/619, 624,  
626, 638-650**

[56] **References Cited**

**U.S. PATENT DOCUMENTS**

D. 82,116	9/1930	Steele	.....	D23/292
D. 292,732	11/1987	Gates et al.	.....	D23/292
D. 311,769	10/1990	Nosari	.....	D23/292
D. 320,437	10/1991	McKenzie	.....	D23/292
D. 367,523	2/1996	Chen	.....	D23/292

**OTHER PUBLICATIONS**

1990 Kohler catalog ad, p. 13-7, showing a "Portrait" pedestal lavatory.

Undated Universal-Rundle ad showing a "Nostalgia" pedestal lavatory, admitted prior art.

Undated Jacob Delafon catalog ad, p. 84, showing a "Brive 2" pedestal lavatory, admitted prior art.

*Primary Examiner*—Louis S. Zarfes  
*Assistant Examiner*—Eric Watterson  
*Attorney, Agent, or Firm*—Quarles & Brady

[57] **CLAIM**

The ornamental design for a pedestal lavatory, as shown and described.

**DESCRIPTION**

FIG. 1 is a right, top, front perspective view of a pedestal lavatory embodying my new design;

FIG. 2 is a front elevational view thereof;

FIG. 3 is a top plan view thereof;

FIG. 4 is a right side elevational view thereof, the left side elevational view being a mirror image of the right side shown;

FIG. 5 is a rear elevational view thereof;

FIG. 6 is a bottom plan view thereof;

FIG. 7 is a cross-sectional view taken along line 7-7 of FIG. 3; and,

FIG. 8 is a cross-sectional view taken along line 8-8 of FIG. 3.

The broken line representations of holes in FIGS. 1, 3, and 7 are for purposes of illustration only, and form no part of the claimed design.

**1 Claim, 4 Drawing Sheets**

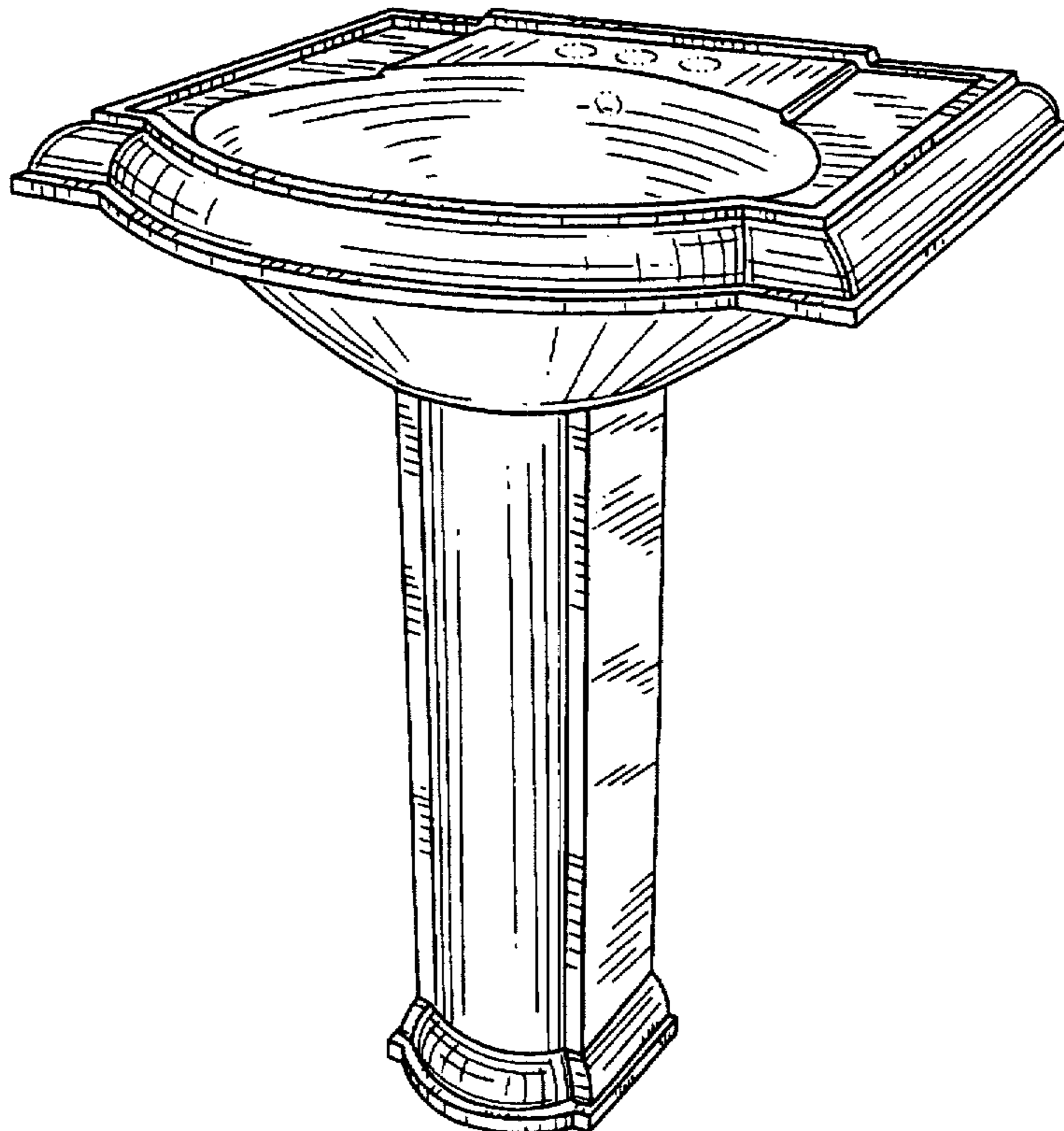


FIG. 1

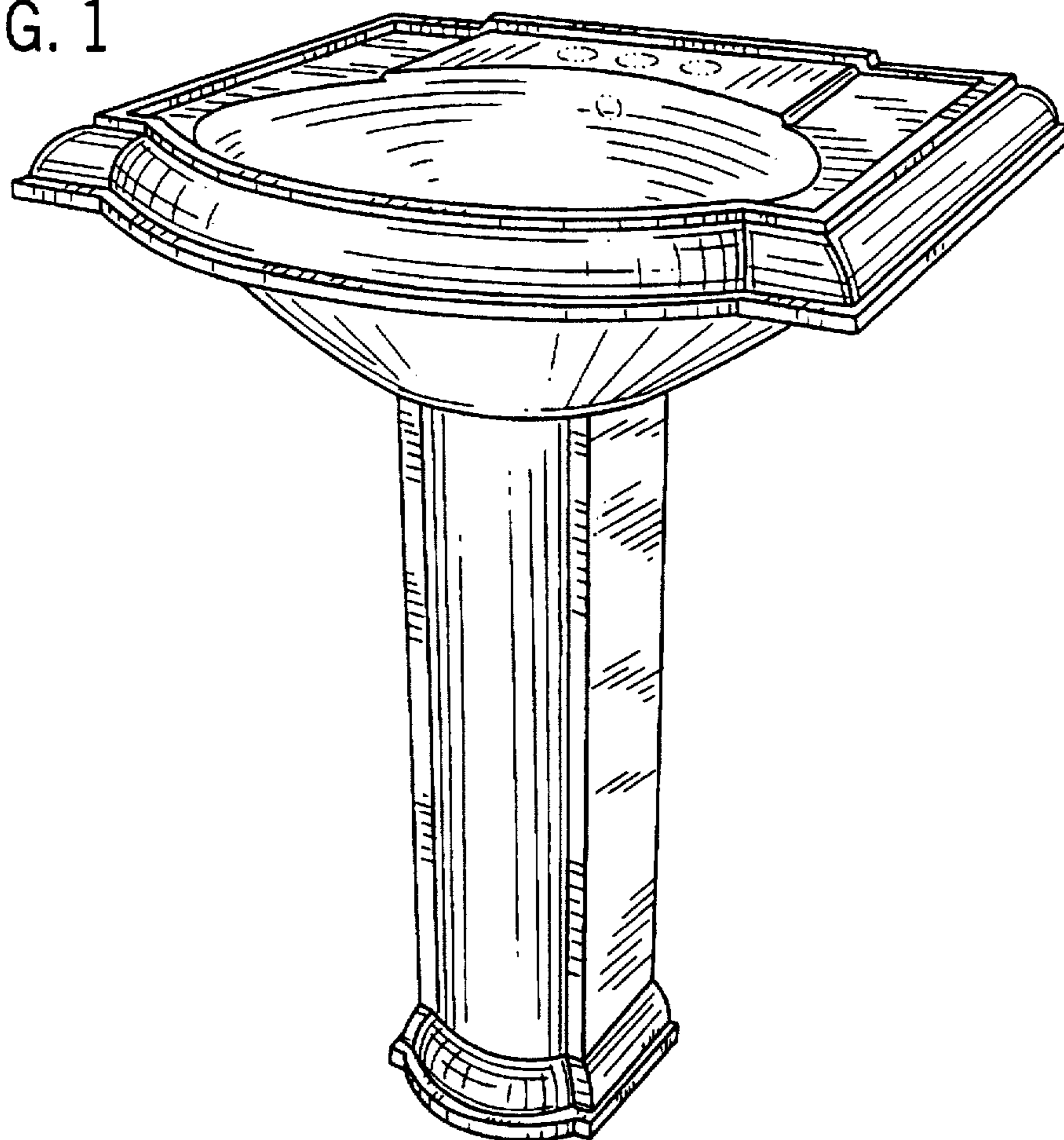
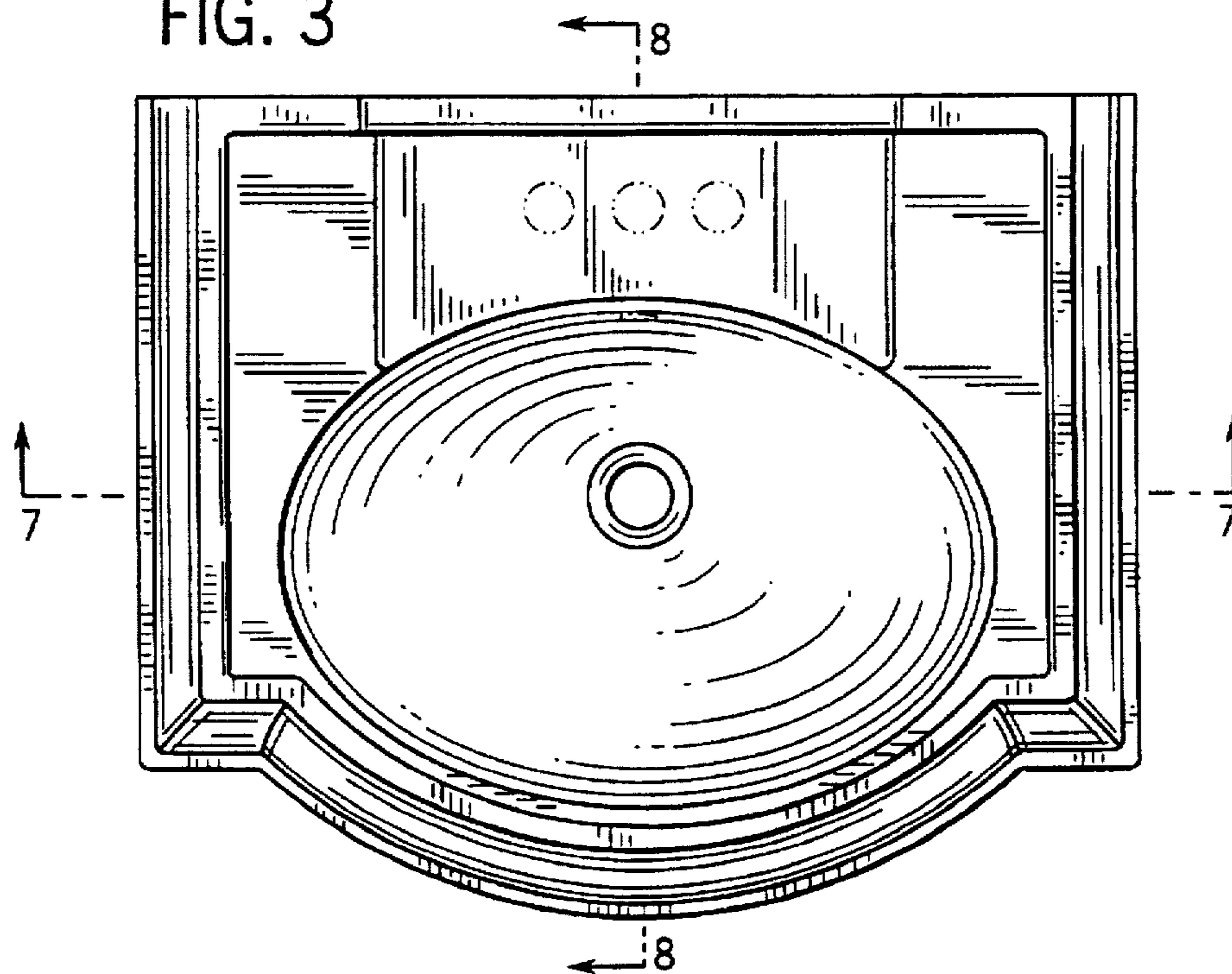


FIG. 3



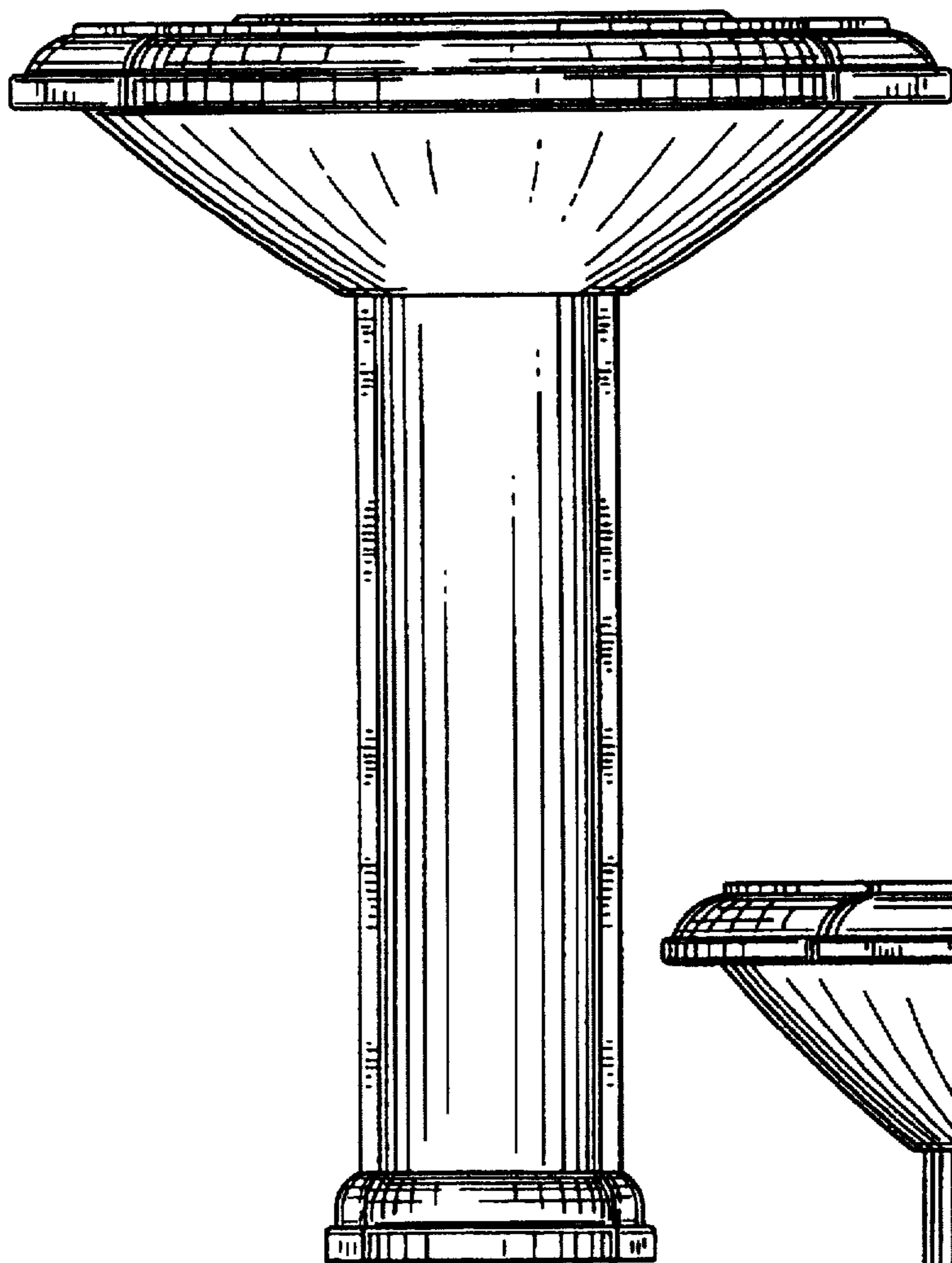


FIG. 2

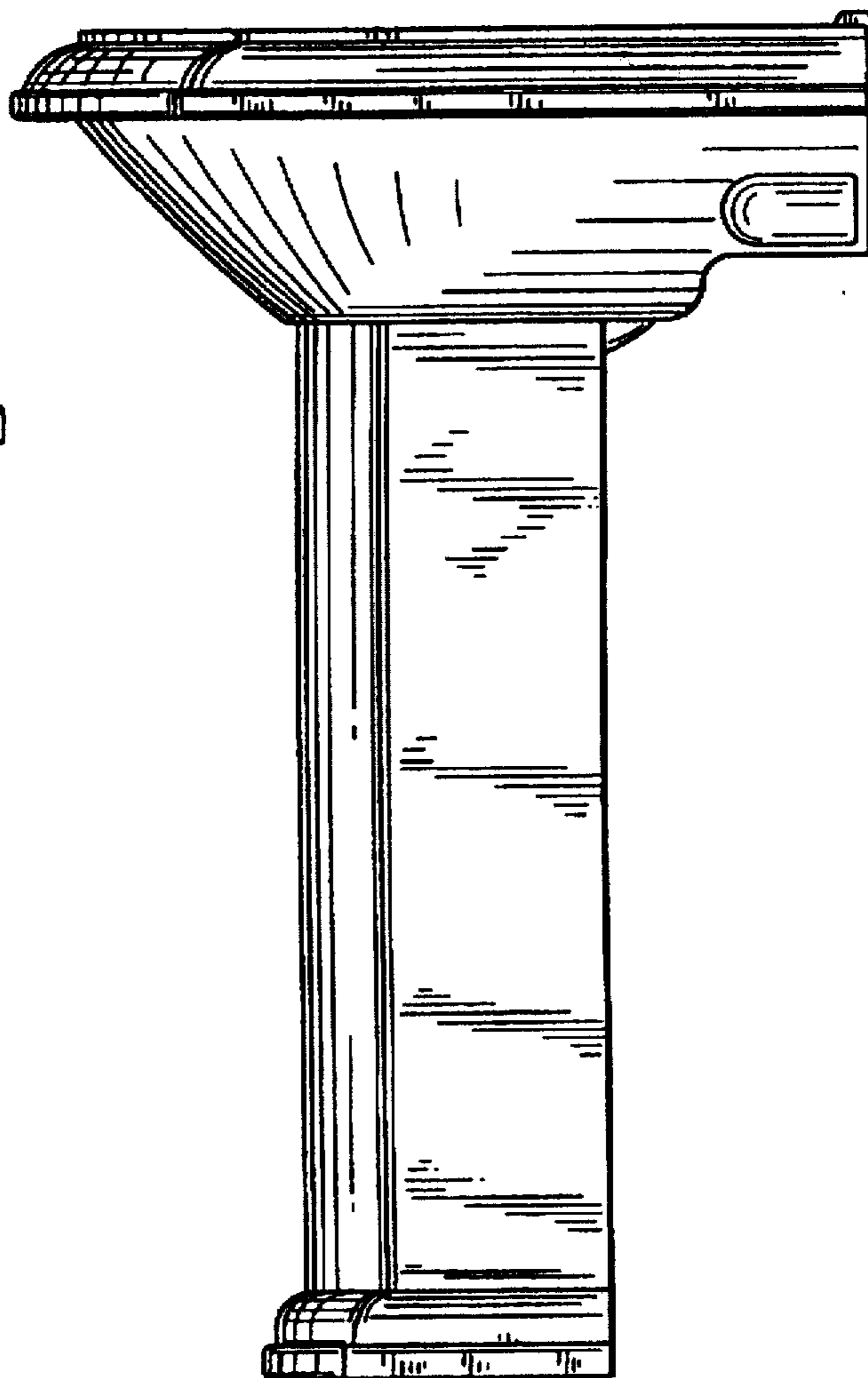


FIG. 4

FIG. 5

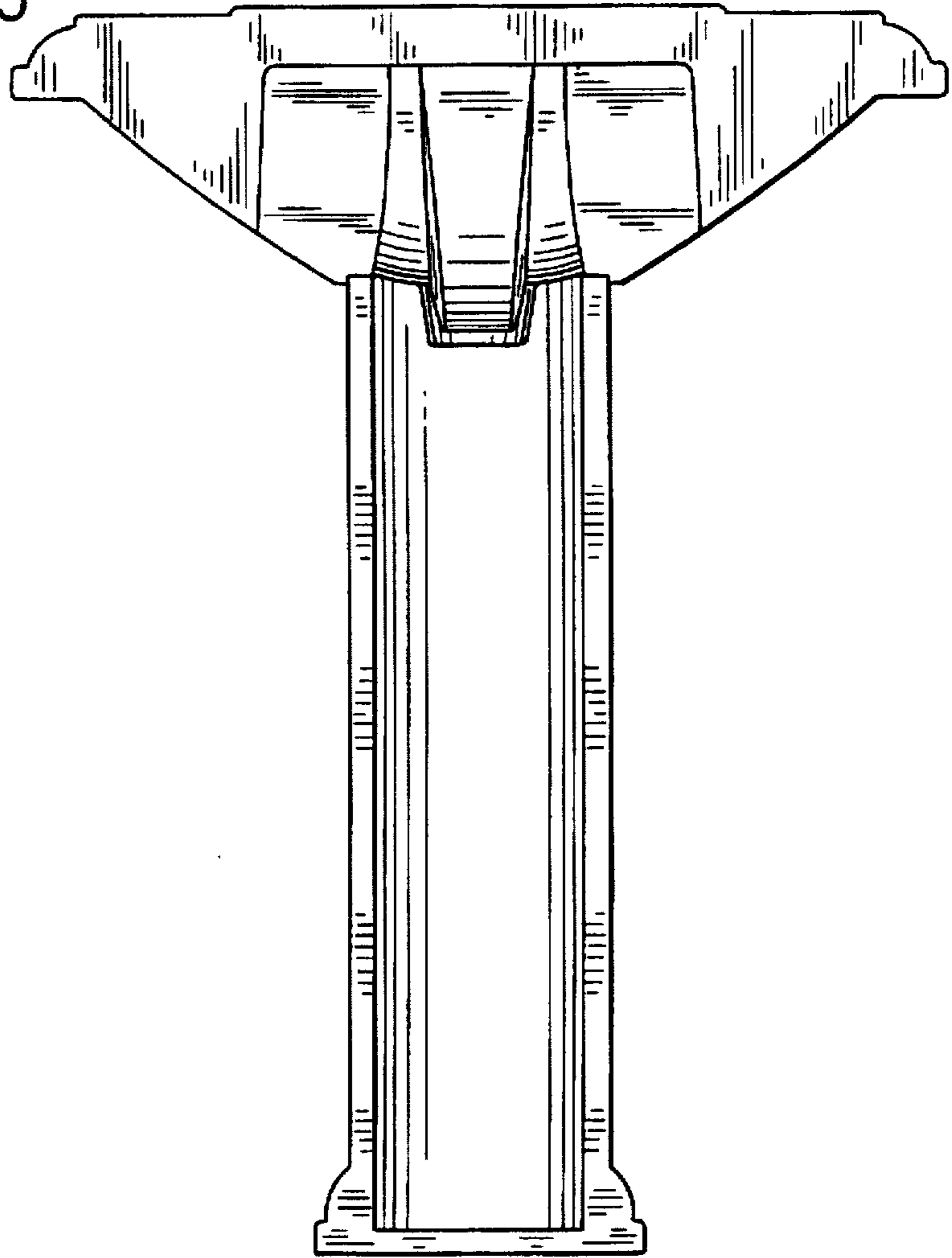


FIG. 6

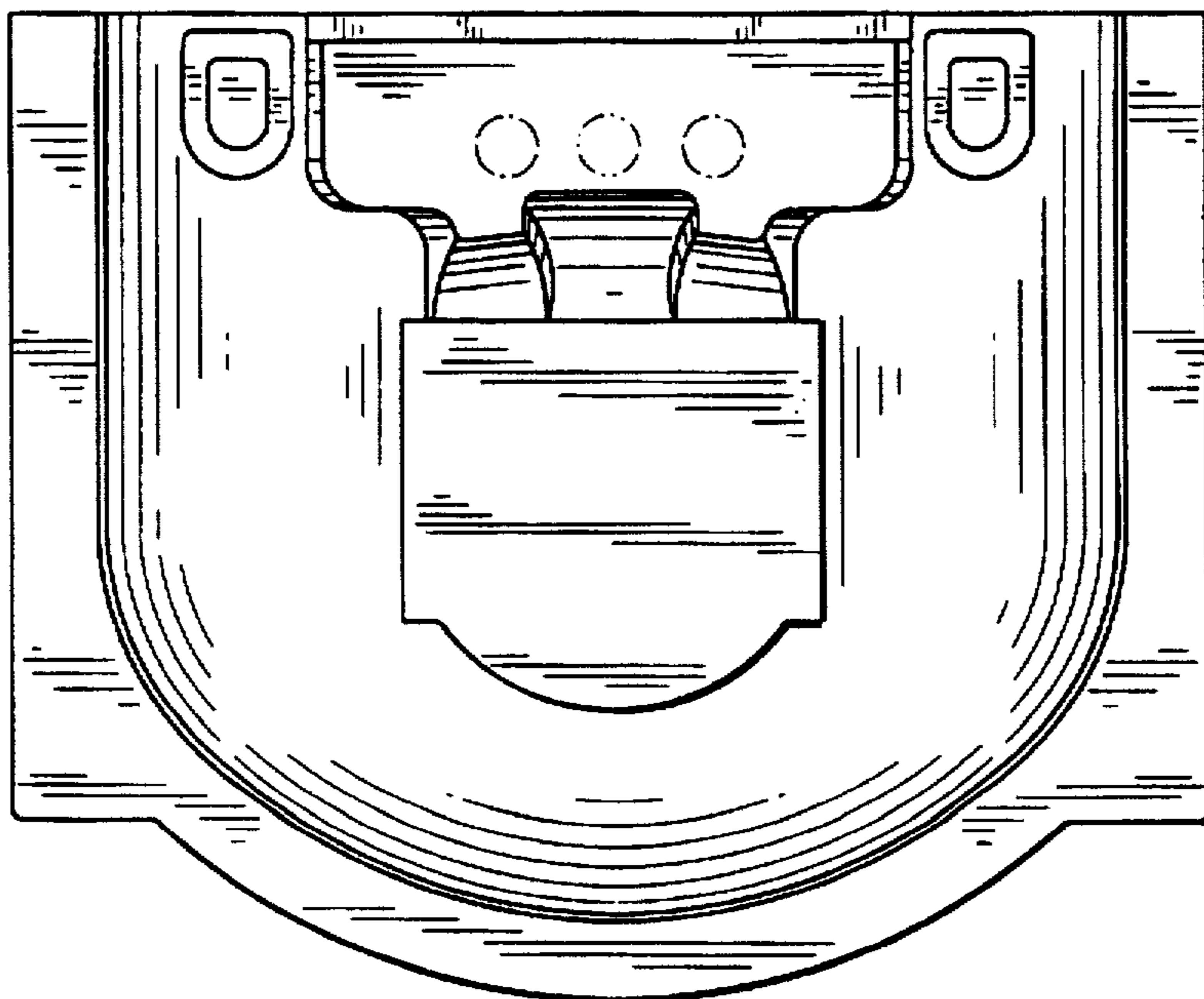


FIG. 7

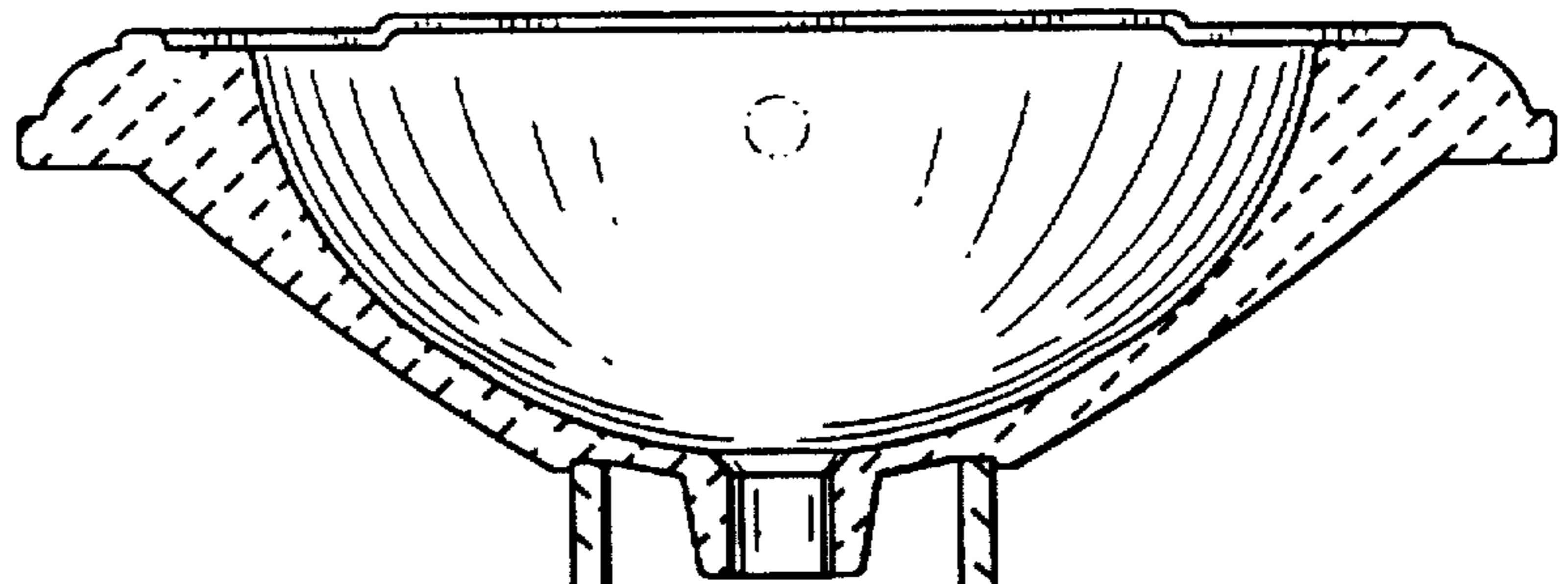


FIG. 8

