



US00D396269S

**United States Patent** [19]  
**Wagner**

[11] **Patent Number:** **Des. 396,269**  
[45] **Date of Patent:** **\*\*Jul. 21, 1998**

[54] **SINK**

[76] **Inventor:** **Sherle Wagner**, 1050 Fifth Ave. Apt.  
17D, New York, N.Y. 10128

[\*\*] **Term:** **14 Years**

[21] **Appl. No.:** **69,056**

[22] **Filed:** **Mar. 19, 1997**

**Related U.S. Application Data**

[62] Division of Ser. No. 52,255, Mar. 26, 1996, Pat. No. Des.  
386,248.

[51] **LOC (6) Cl.** ..... **23-02**

[52] **U.S. Cl.** ..... **D23/285**

[58] **Field of Search** ..... D23/284-293.1,  
D23/619, 624, 625, 626, 638-650

[56] **References Cited**

**U.S. PATENT DOCUMENTS**

D. 77,877 3/1929 Broin ..... D23/292 X

D. 216,310 12/1969 Fortuno ..... D23/285  
D. 261,798 11/1981 Stairs, Jr. .... D23/285  
D. 288,352 2/1987 Smith ..... D23/285  
D. 288,354 2/1987 Smith ..... D23/285  
D. 387,138 12/1997 Anderson ..... D23/285

*Primary Examiner*—Louis S. Zarfes  
*Assistant Examiner*—Eric Watterson

[57] **CLAIM**

The ornamental design for a sink, as shown and described.

**DESCRIPTION**

FIG. 1 is a perspective view of a sink showing my new design;

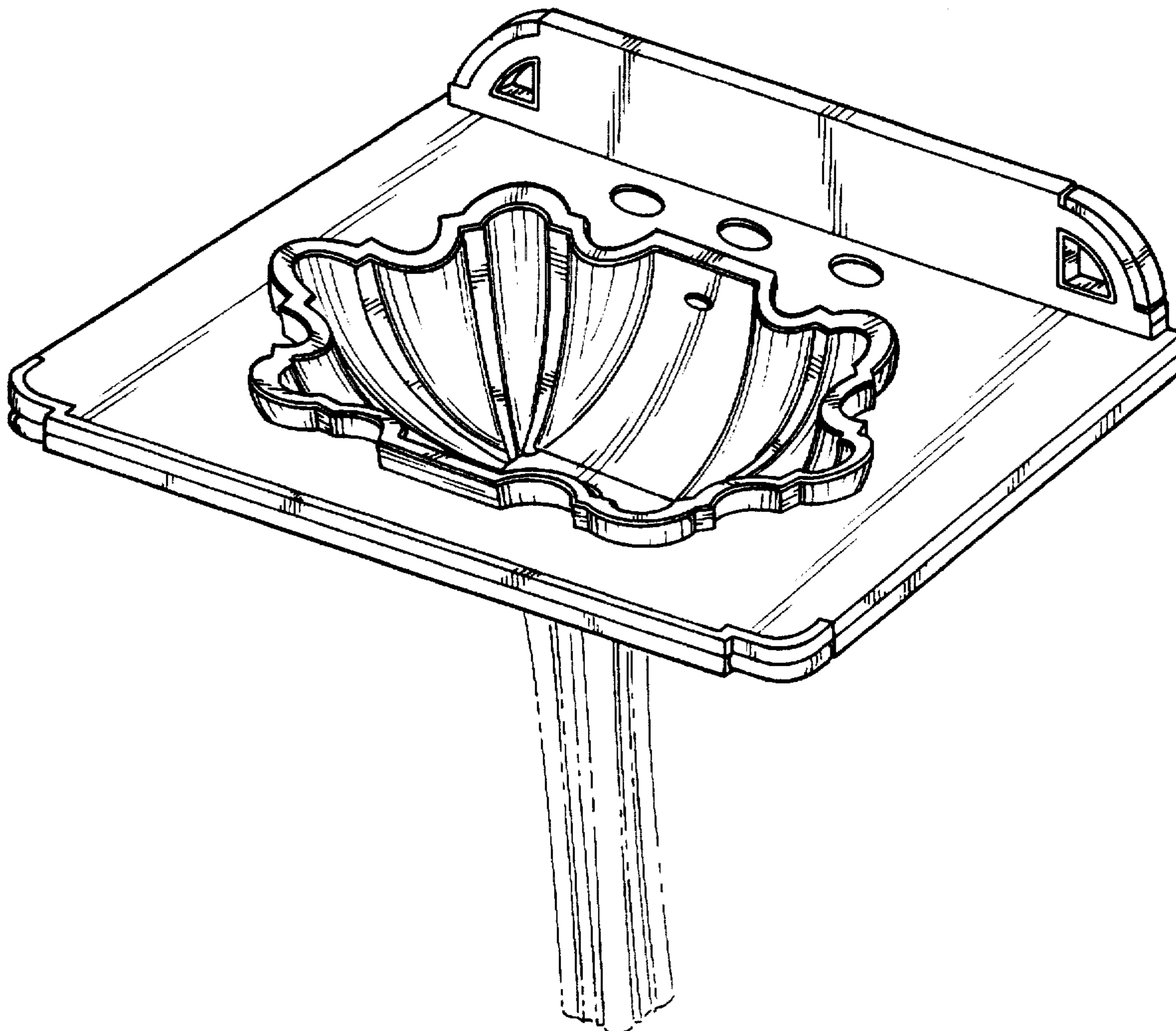
FIG. 2 is a top plan view thereof;

FIG. 3 is a front elevational view thereof; and,

FIG. 4 is a left side view thereof, the opposite side being a mirror image of the side shown.

The broken line showing is for illustrative purposes only and forms no part of the claimed design.

**1 Claim, 3 Drawing Sheets**



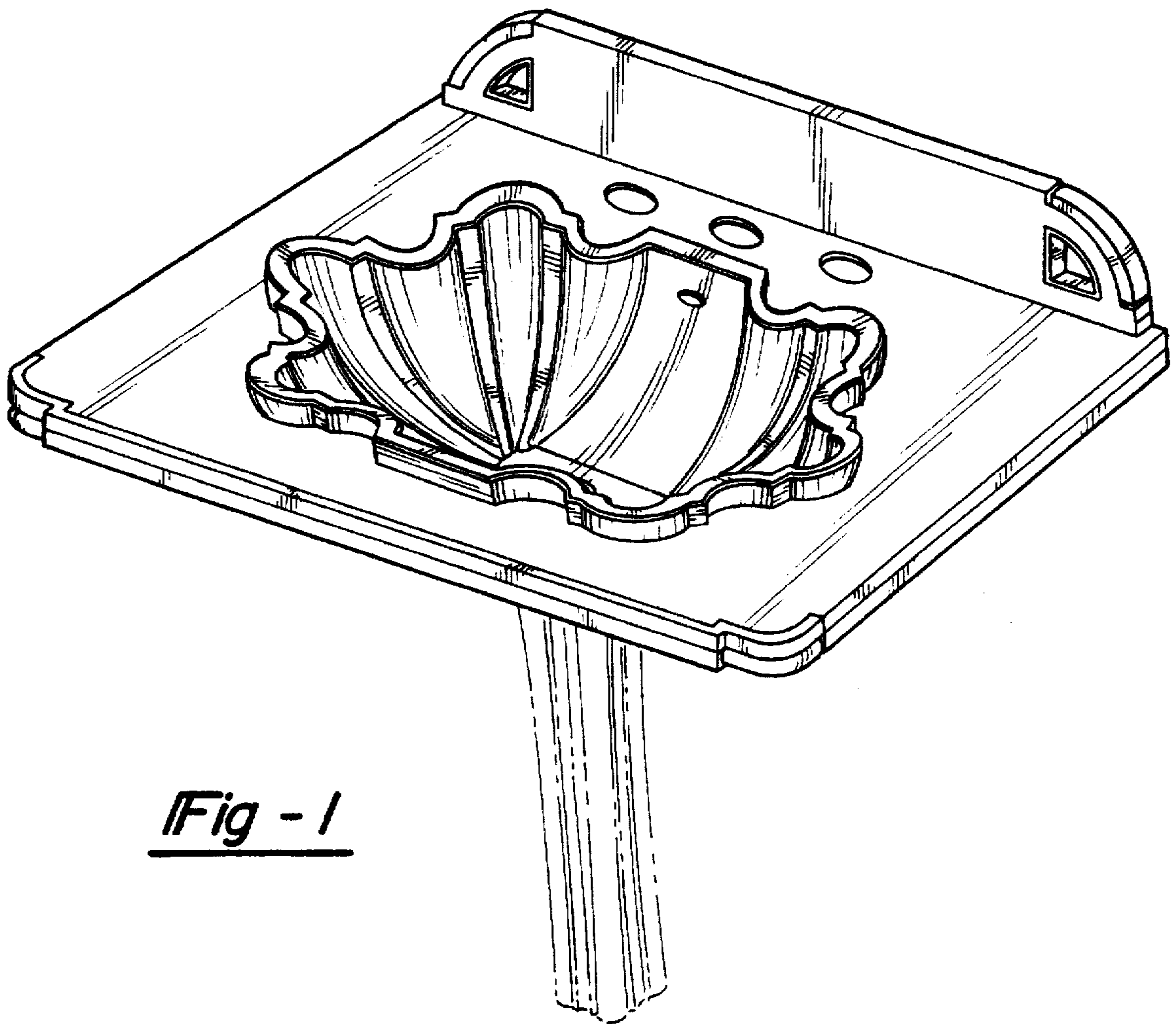


Fig - 1

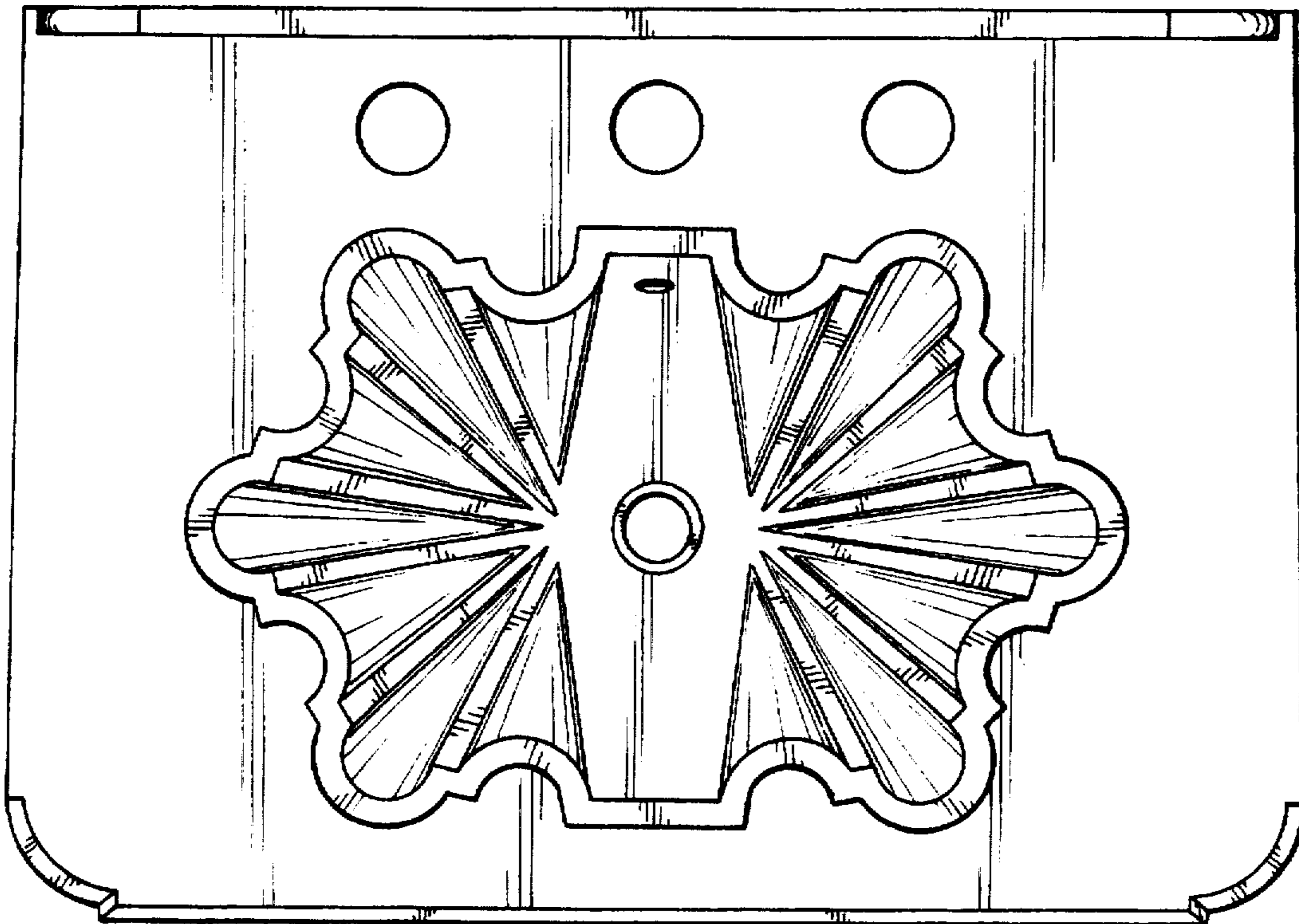


Fig - 2

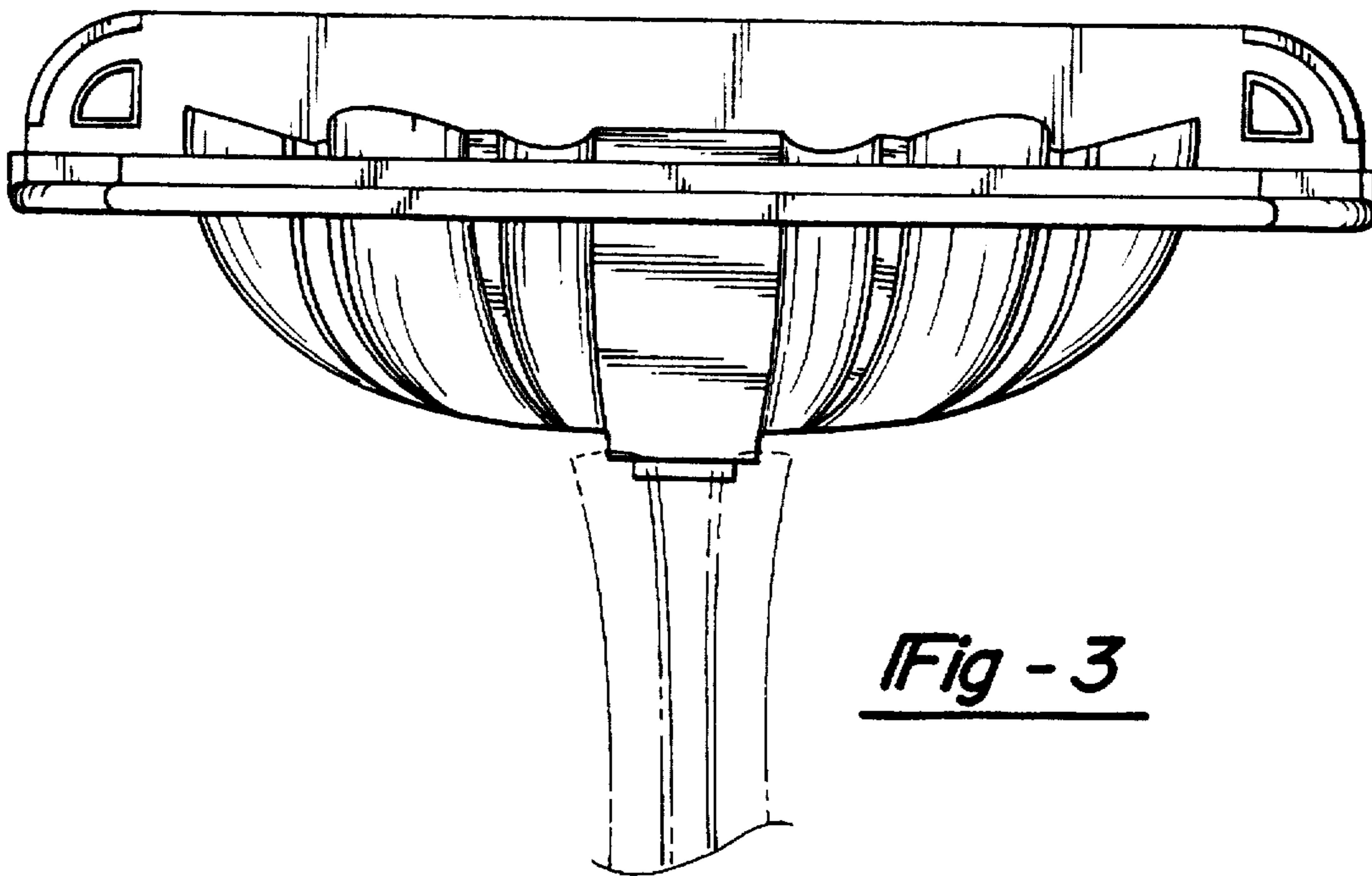


Fig - 3

