

US00D396267S

United States Patent [19]

Lobermeier

[11] Patent Number: **Des. 396,267**

[45] Date of Patent: ****Jul. 21, 1998**

[54] **PLUMBING FIXTURE WALL ESCUTCHEON**

[75] Inventor: **Hans Lobermeier**, Menden, Germany

[73] Assignee: **Friedrich Grohe AG**, Hemer, Germany

[**] Term: **14 Years**

[21] Appl. No.: **70,585**

[22] Filed: **May 12, 1997**

[30] **Foreign Application Priority Data**

Nov. 19, 1996 [DE] Germany M 96 09 977.1

[51] LOC (6) Cl. **23-01**

[52] U.S. Cl. **D23/254**

[58] Field of Search D23/213, 238-242,
D23/250-254; D8/352; 4/675-678

[56] **References Cited**

U.S. PATENT DOCUMENTS

D. 194,229 12/1962 Landell D23/254

D. 230,253 2/1974 Sahloff D8/352
D. 293,465 12/1987 Bengtsson D23/257
D. 332,826 1/1993 Rosenbaum D23/254
D. 355,021 1/1995 Schott et al. D23/254

Primary Examiner—Louis S. Zarfes
Assistant Examiner—Eric Watterson
Attorney, Agent, or Firm—Herbert Dubno

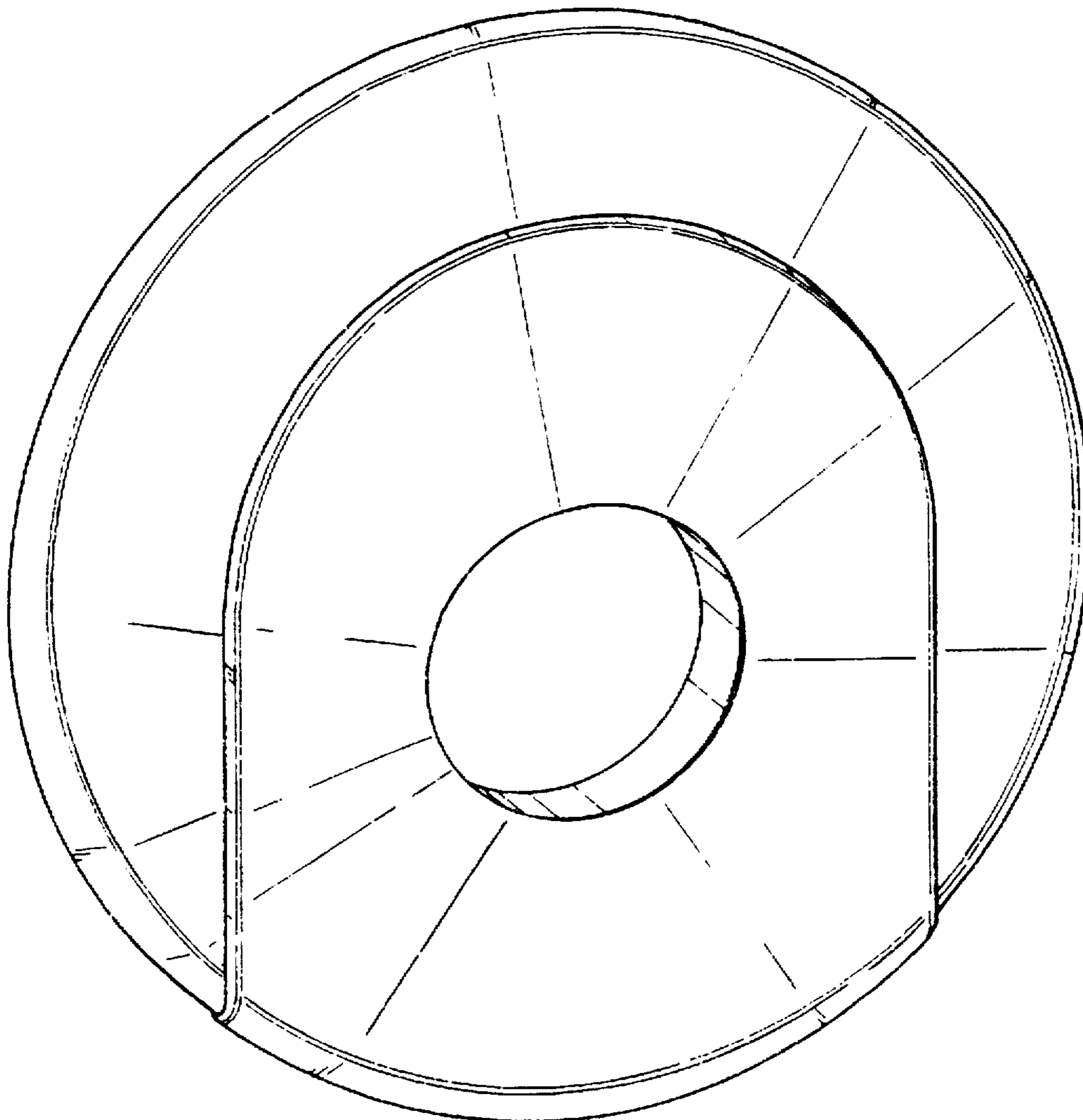
[57] **CLAIM**

The ornamental design for a plumbing fixture wall escutcheon, as shown and described.

DESCRIPTION

FIG. 1 is a top, front, left-side perspective view of a plumbing fixture wall escutcheon showing my new design; FIG. 2 is a top view thereof; FIG. 3 is a front elevational view thereof; FIG. 4 is a bottom view thereof; FIG. 5 is a right side elevational view thereof, the left side being mirror symmetrical thereto; and FIG. 6 is a rear view thereof.

1 Claim, 3 Drawing Sheets



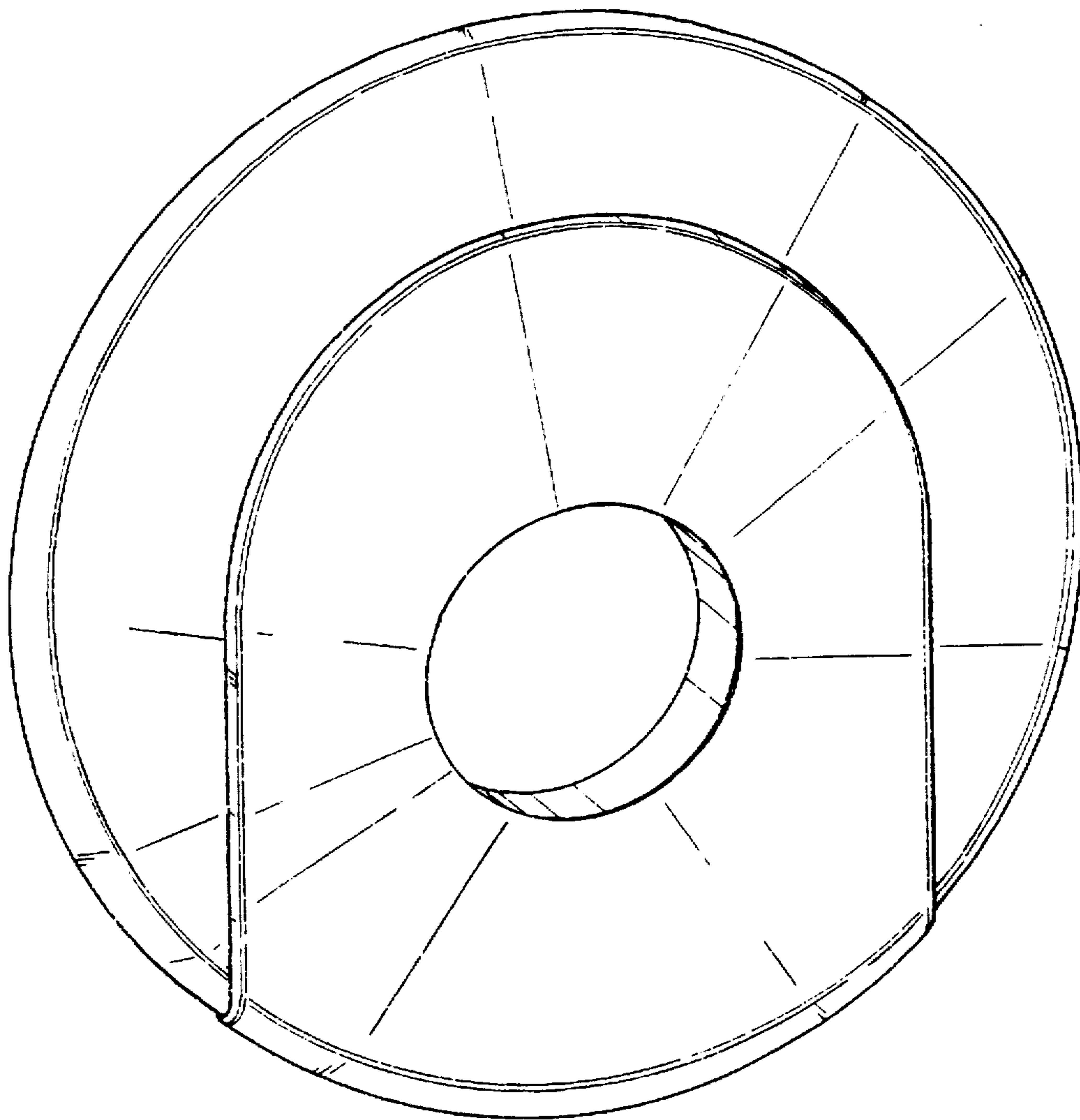


FIG. 1

FIG. 2

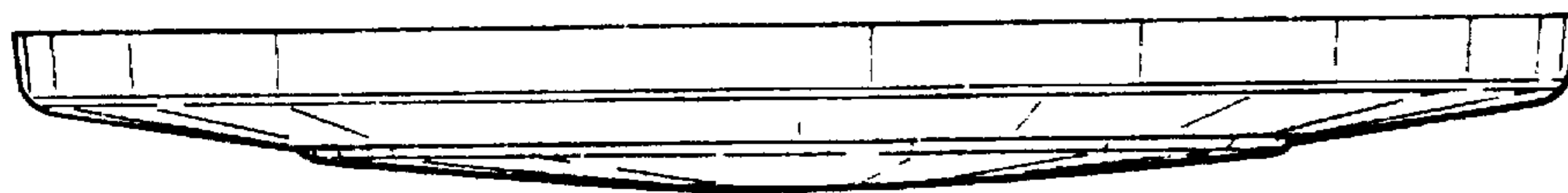


FIG. 3

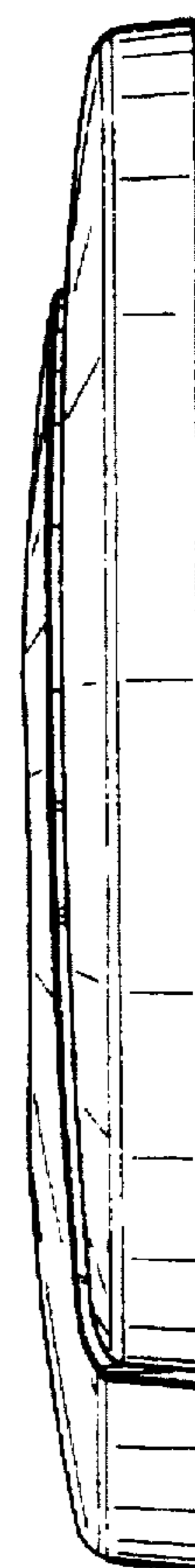
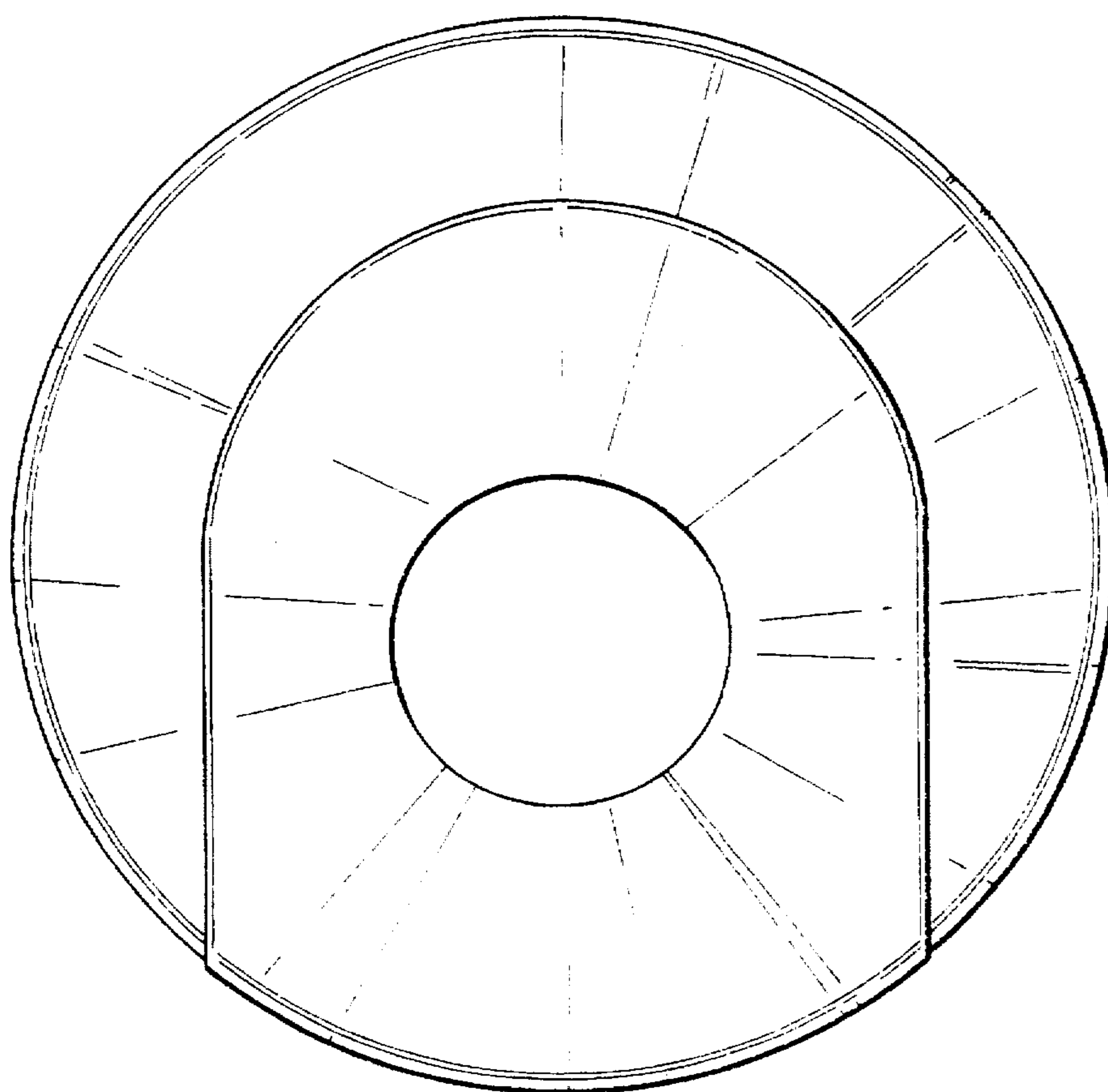


FIG. 5

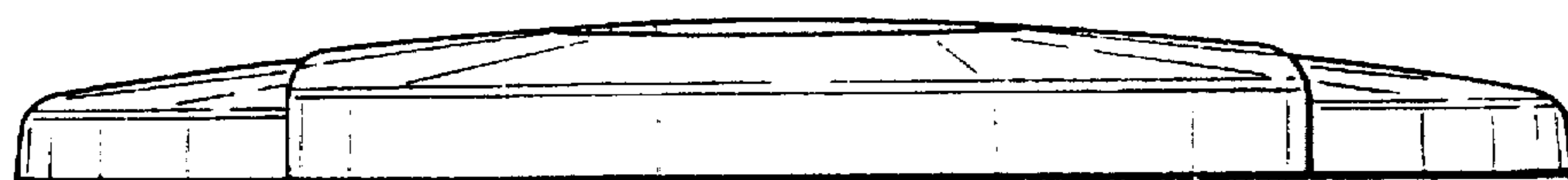


FIG. 4

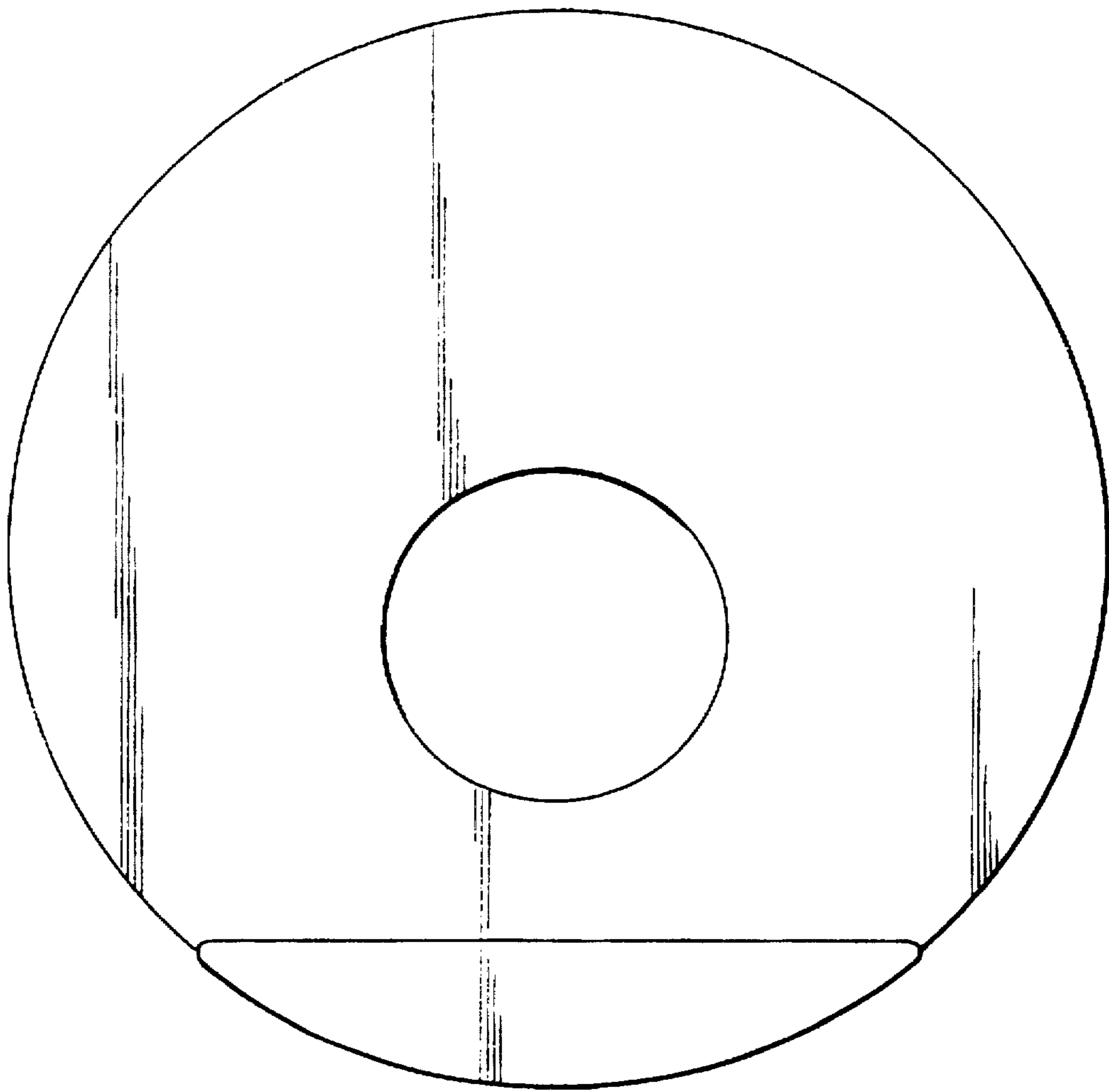


FIG. 6