



US00D396264S

United States Patent [19]
Garrigos Ruiz

[11] **Patent Number:** **Des. 396,264**
[45] **Date of Patent:** ****Jul. 21, 1998**

[54] **BODY FOR SWIMMING POOL FILTERS**

5,478,467 12/1995 LeMire 210/266
5,498,333 3/1996 Canther 210/169
5,503,742 4/1996 Farley 210/459
5,685,977 11/1997 Golston et al. 210/232

[75] **Inventor:** **Robert Garrigos Ruiz, Girona, Spain**

[73] **Assignee:** **Aplister, S.A., Sant Jaume de Llierca, Spain**

[**] **Term:** **14 Years**

Primary Examiner—Alan P. Douglas
Assistant Examiner—Robin V. Taylor
Attorney, Agent, or Firm—Steinberg, Raskin & Davidson, P.C.

[21] **Appl. No.:** **74,163**

[57] **CLAIM**

[22] **Filed:** **Jul. 29, 1997**

The ornamental design for a body for swimming pool filters, as shown and described.

[51] **LOC (6) Cl.** **23-01**

[52] **U.S. Cl.** **D23/209; D23/210**

[58] **Field of Search** **D23/200, 207, D23/209, 210; 210/169, 416.2, 282, 266, 232**

DESCRIPTION

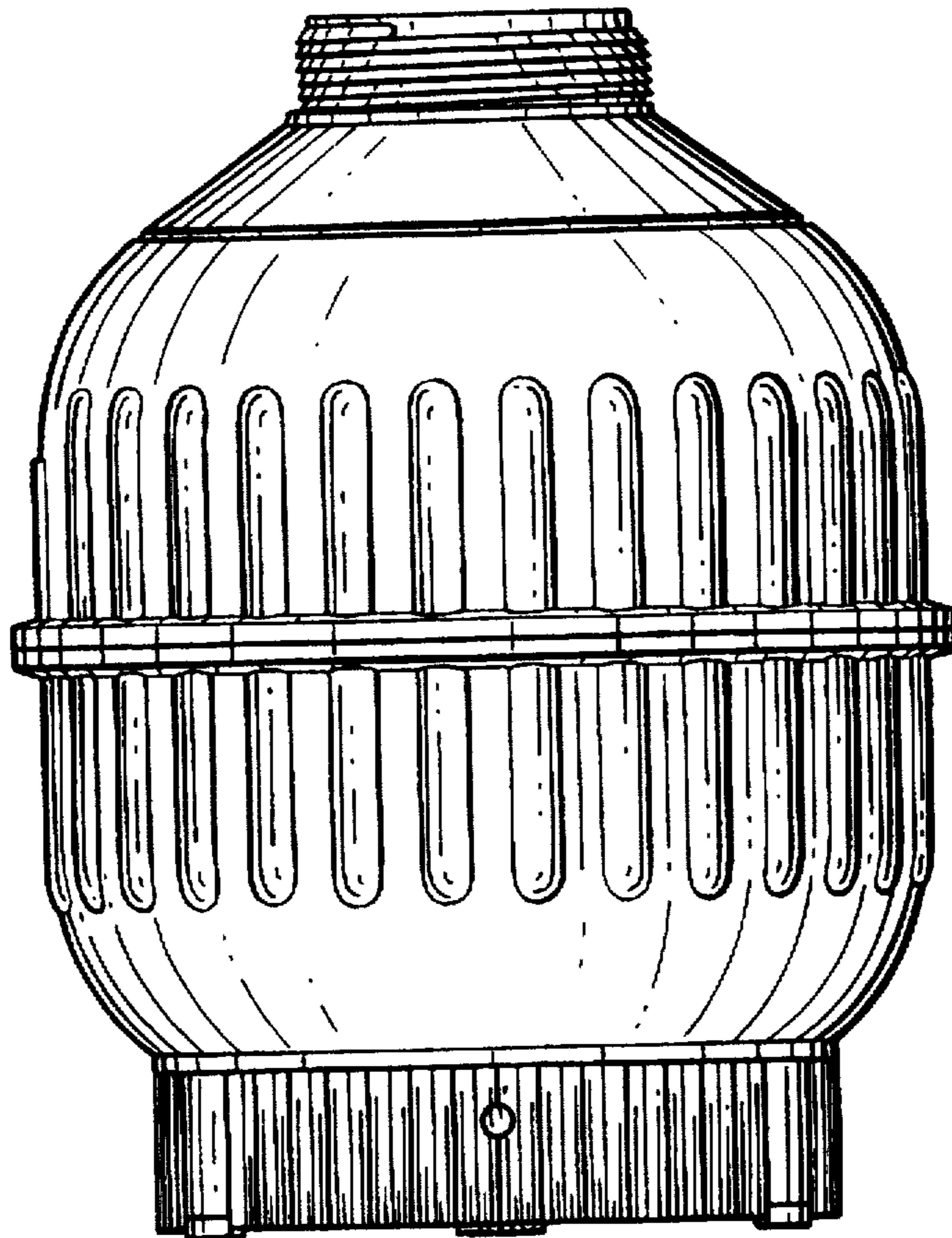
FIG. 1 is a front view of a body for swimming pool filters showing my new design;
FIG. 2 is a left side view thereof;
FIG. 3 is a rear view thereof;
FIG. 4 is a right side view thereof;
FIG. 5 is a top plan view thereof; and,
FIG. 6 is a bottom plan view thereof.

[56] **References Cited**

U.S. PATENT DOCUMENTS

D. 212,090 8/1968 Edmiston D23/209
D. 361,622 8/1995 Farley D23/209
5,008,008 4/1991 Lockshaw 210/416.2

1 Claim, 3 Drawing Sheets



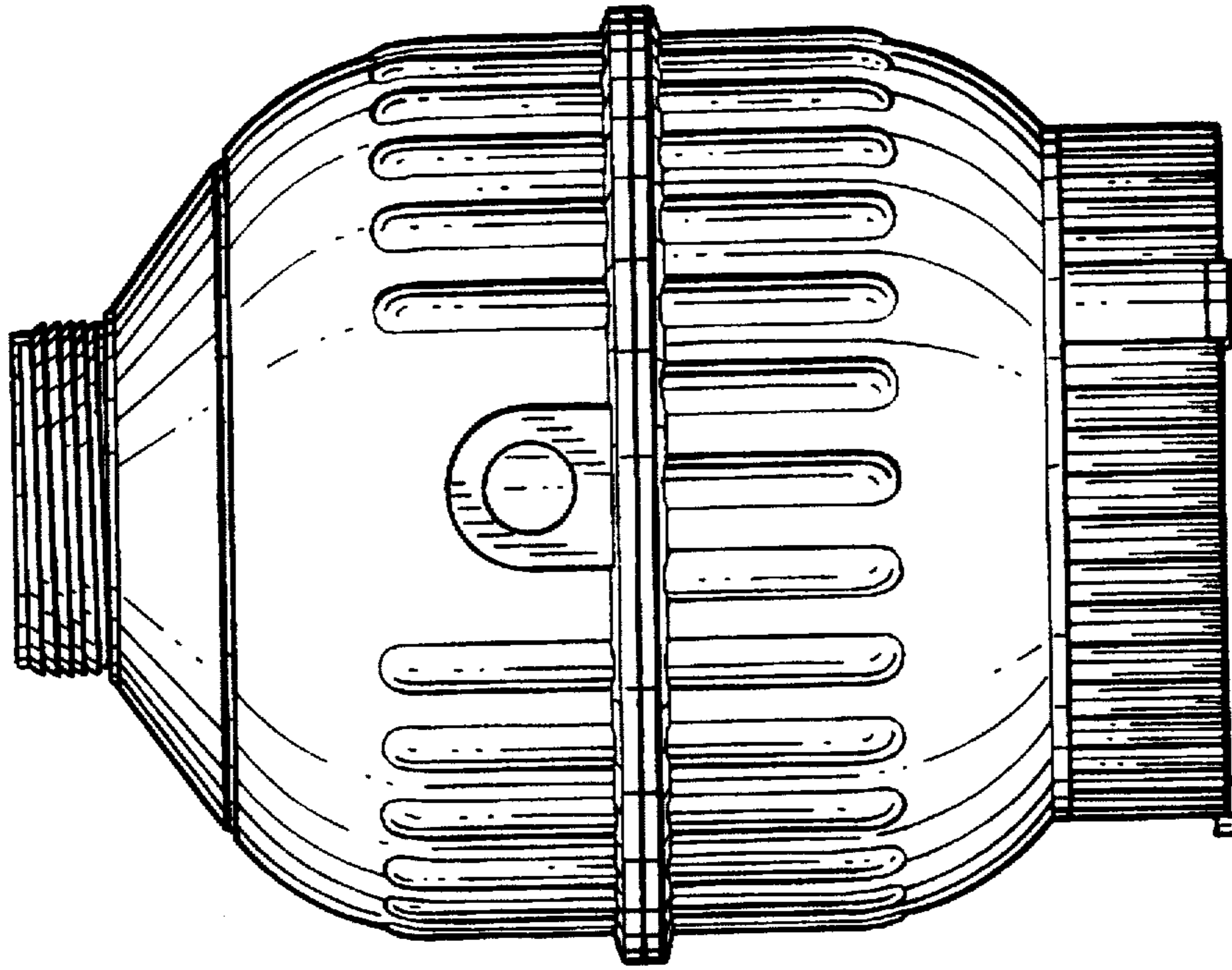


Fig. 2

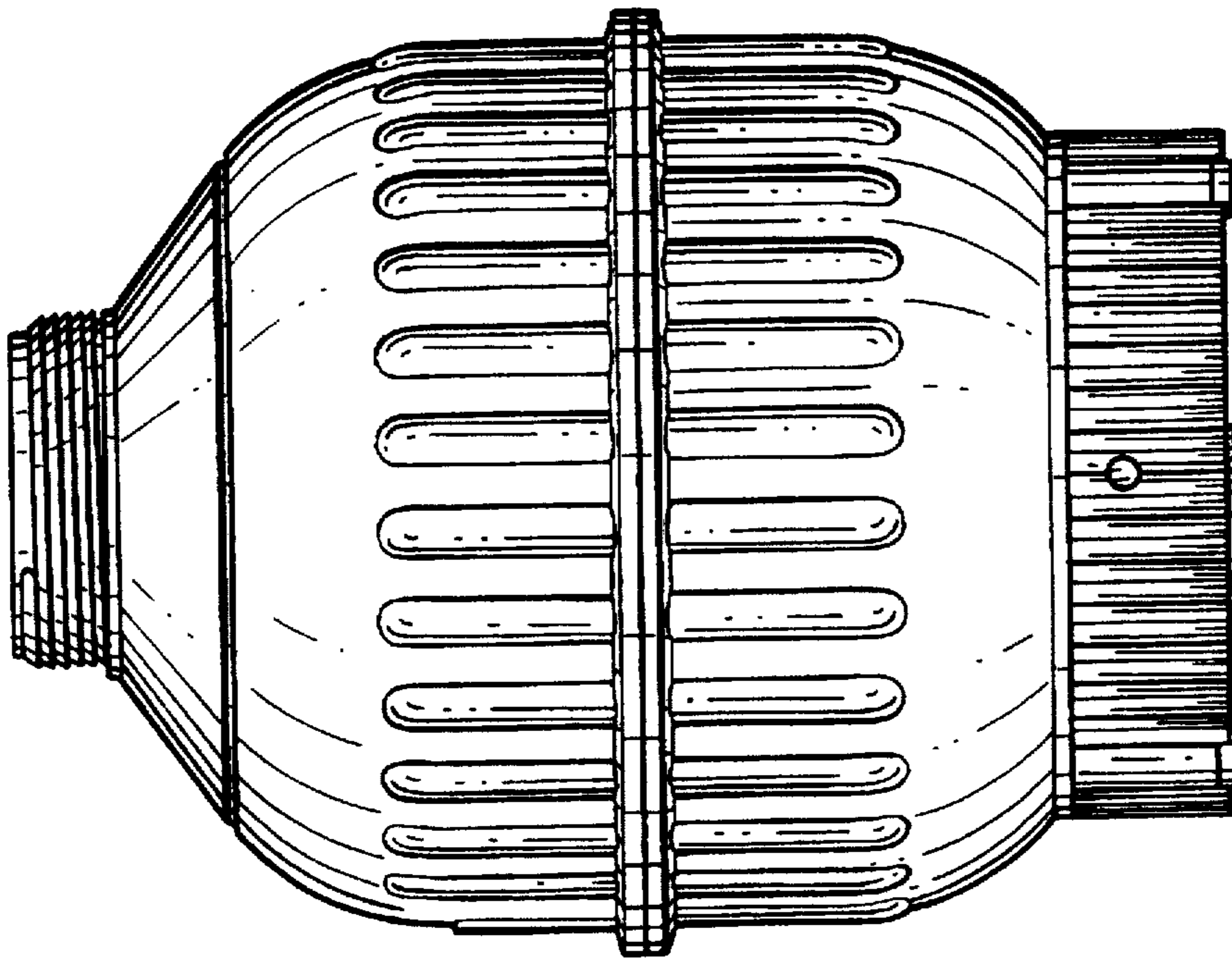


Fig. 1

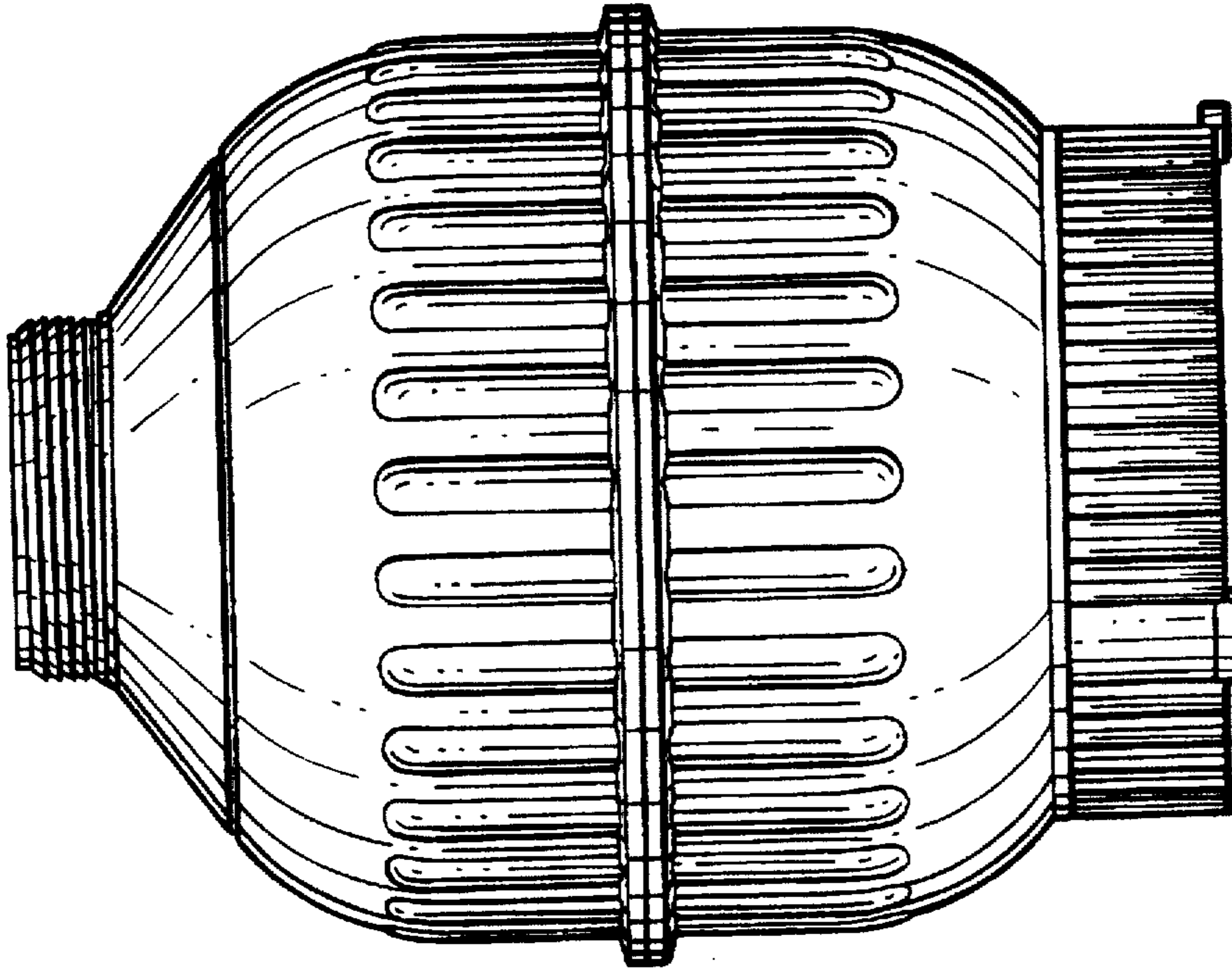


Fig. 3

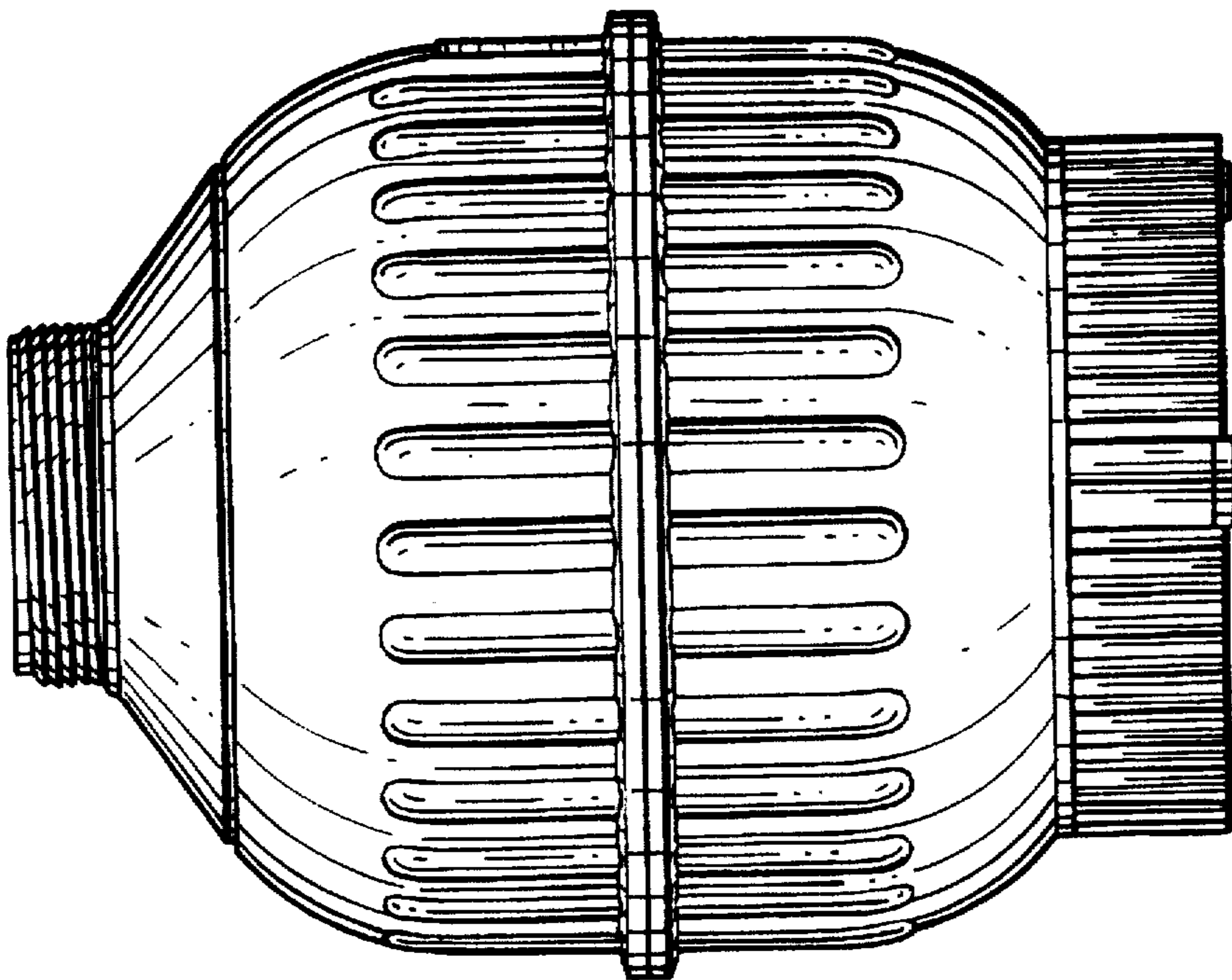


Fig. 4

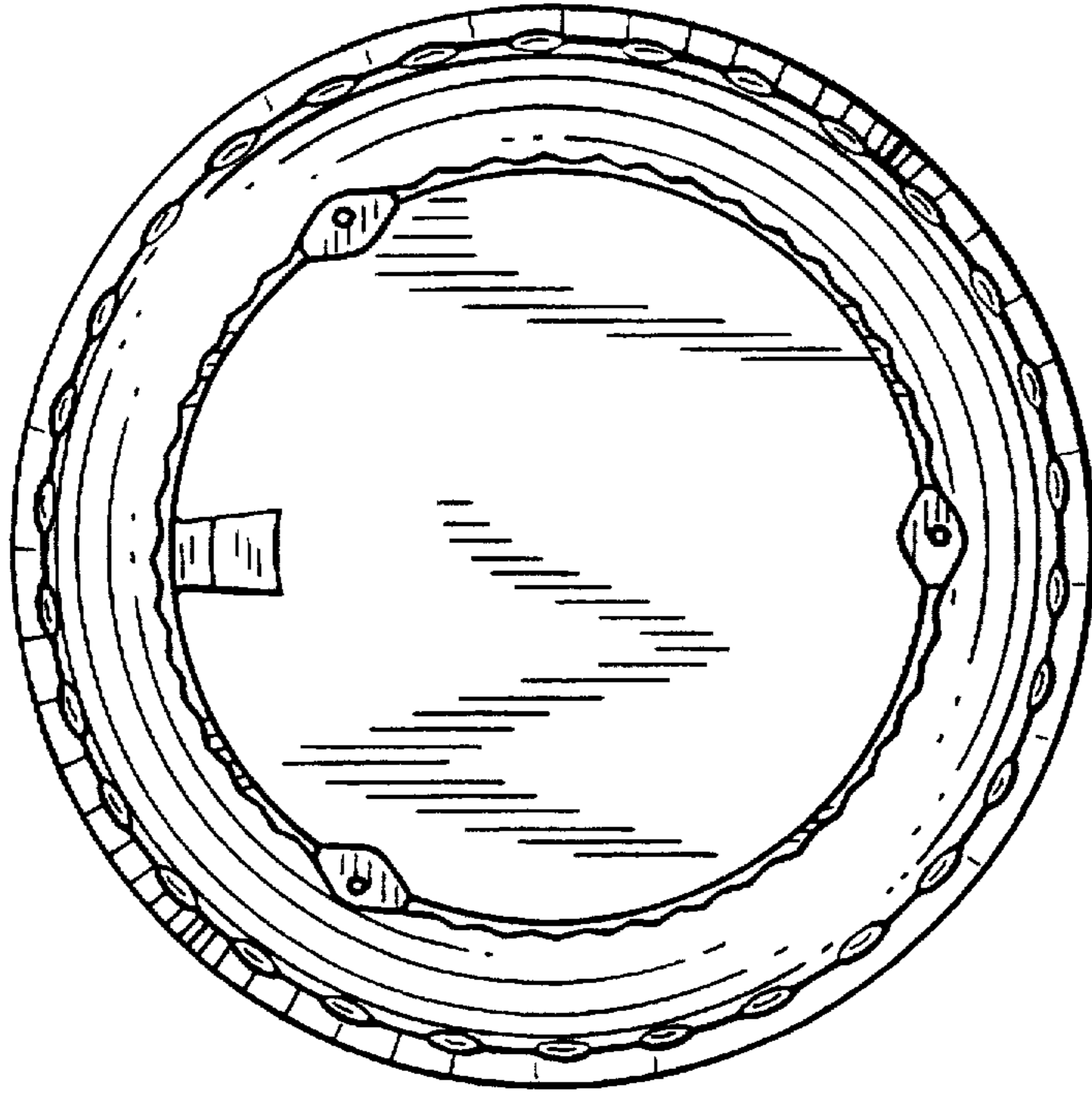


Fig. 6

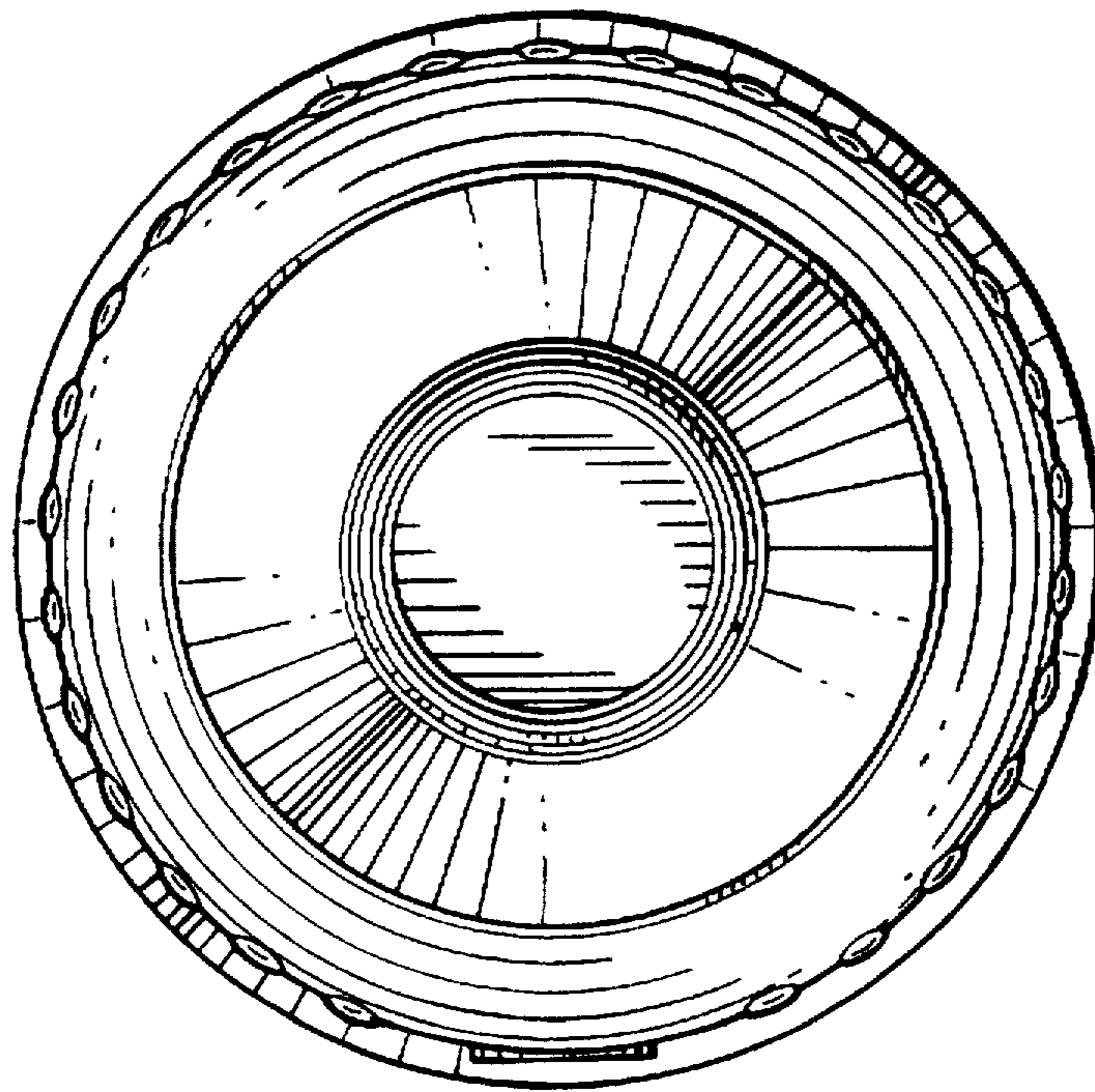


Fig. 5