



US00D396262S

United States Patent [19]

Burdick

[11] **Patent Number: Des. 396,262**

[45] **Date of Patent: **Jul. 21, 1998**

[54] **FISHING ROD AND REEL**

[76] **Inventor: Robert Burdick, 8959 Jennings Rd.,
Eden, N.Y. 14057**

[**] **Term: 14 Years**

[21] **Appl. No.: 54,249**

[22] **Filed: May 10, 1996**

[51] **LOC (6) Cl. 22-05**

[52] **U.S. Cl. D22/138**

[58] **Field of Search D22/138, 139,
D22/141, 142, 140; 43/18.1, 18.5, 19, 19.2;
242/223, 226, 225, 238, 250, 263, 252,
257**

[56] **References Cited**

U.S. PATENT DOCUMENTS

- D. 189,721 2/1961 Hull D22/138
- D. 273,972 5/1984 Fee D22/138
- D. 330,065 10/1992 Debreczeni D22/138

- D. 355,698 2/1995 Robbins et al. D22/141
- D. 358,447 5/1995 Robbins D22/141
- 3,279,116 10/1966 Chapman D22/138 X

Primary Examiner—Doris V. Coles
Attorney, Agent, or Firm—Harold H. Dutton, Jr.

[57] **CLAIM**

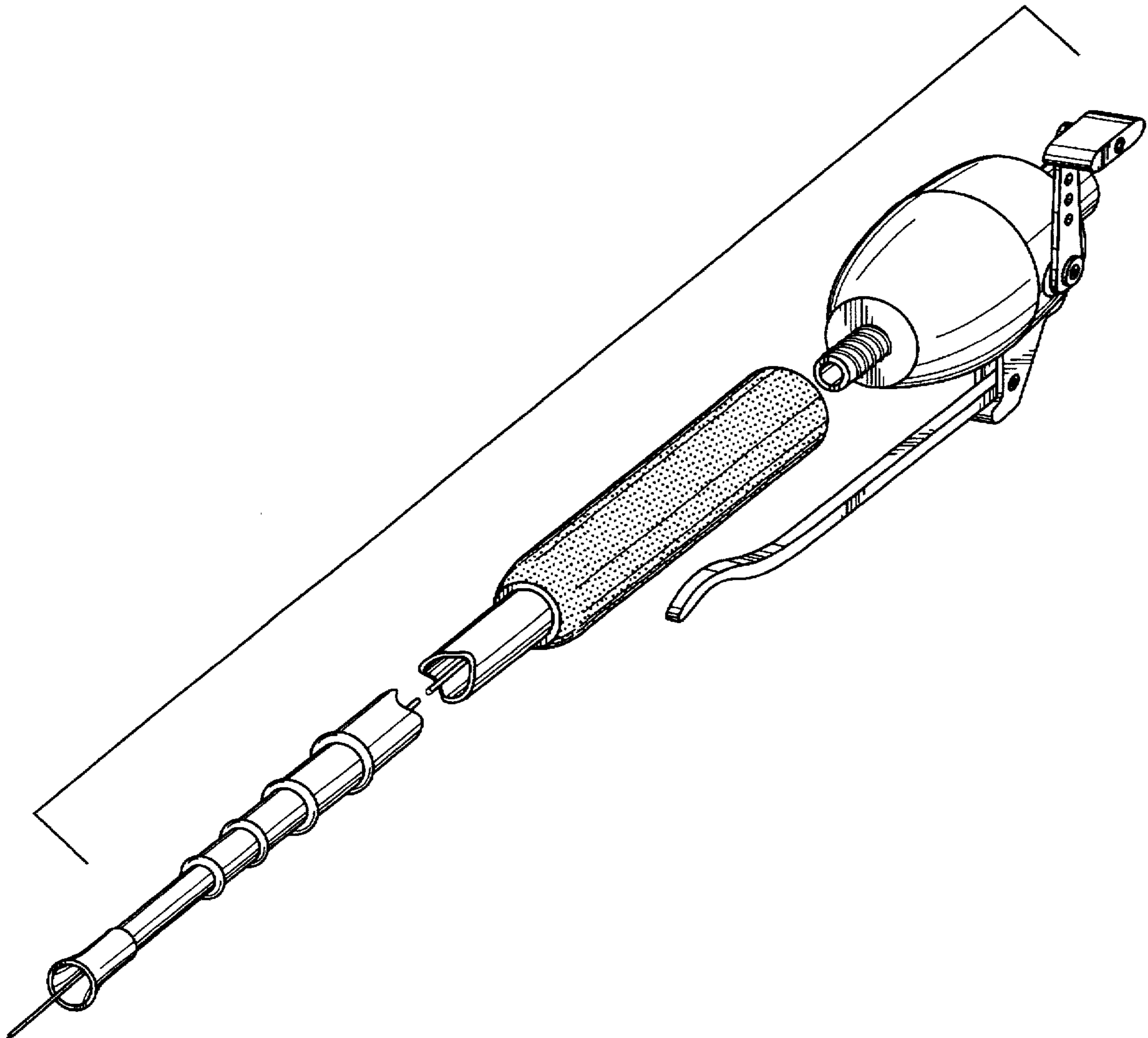
The ornamental design for a fishing rod and reel, as shown.

DESCRIPTION

FIG. 1 is a perspective view of a fishing rod and reel showing my new design;
FIG. 2 is a right view thereof;
FIG. 3 is a left view thereof;
FIG. 4 is a top view thereof;
FIG. 5 is a bottom view thereof;
FIG. 6 is a front view thereof; and,
FIG. 7 is a rear view thereof.

The fishing rod is shown broken away for clarity of illustration to indicate indeterminate length.

1 Claim, 4 Drawing Sheets



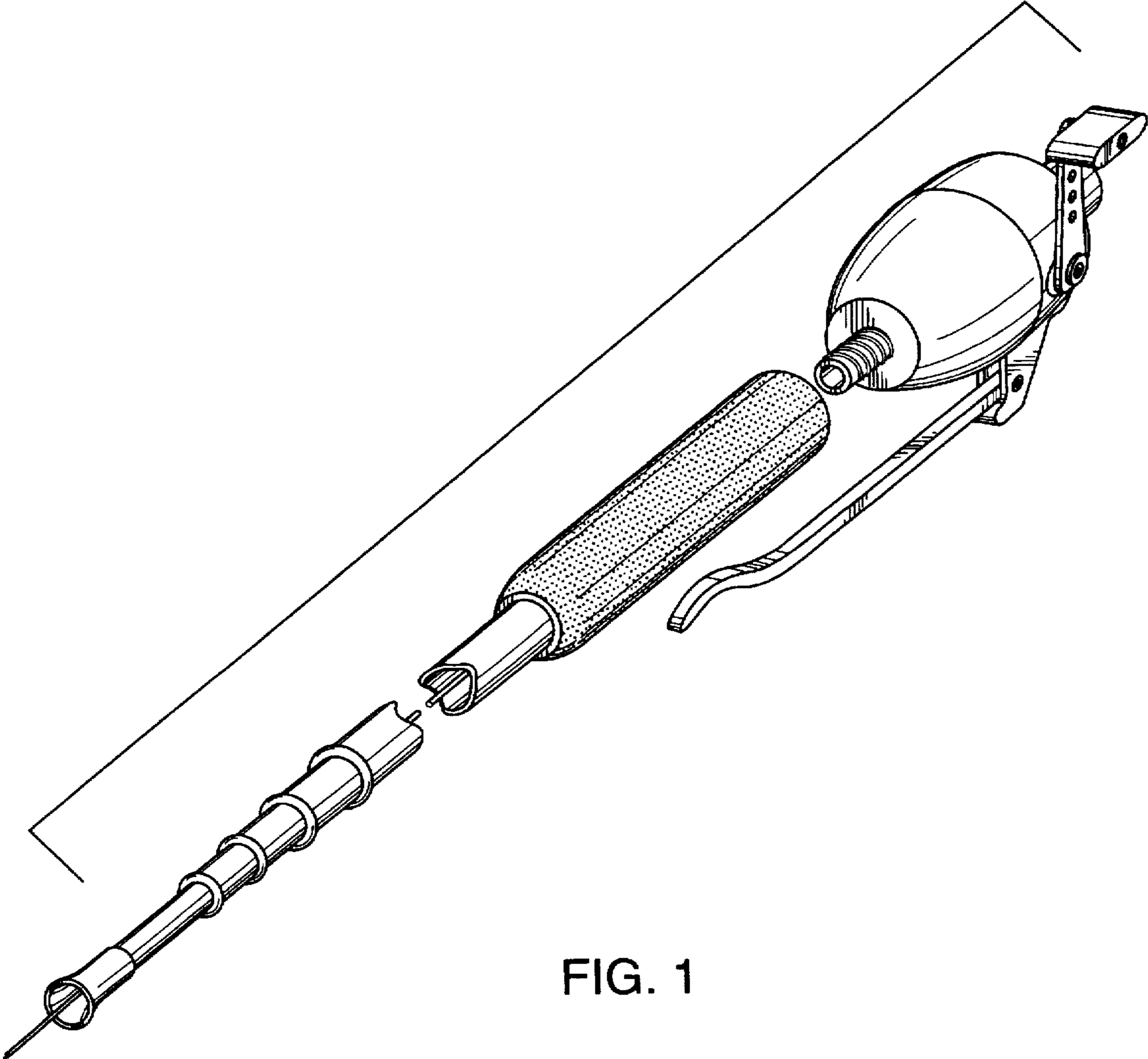


FIG. 1

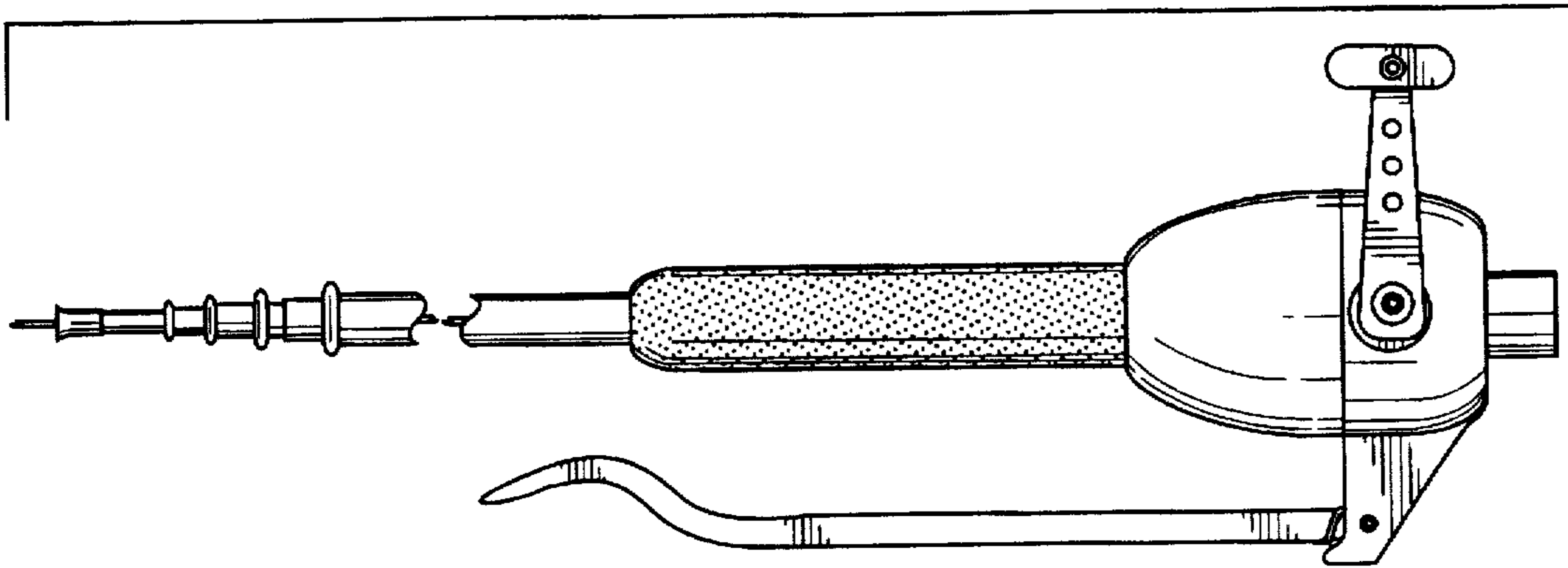


FIG. 2

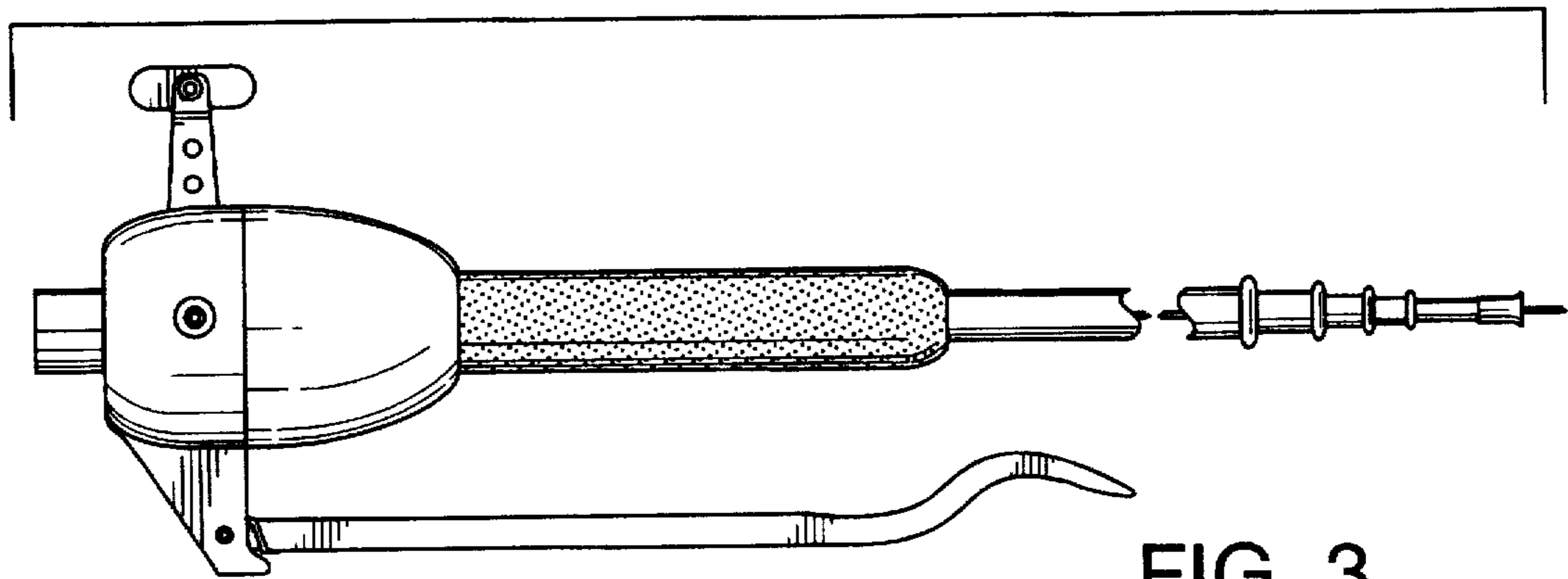


FIG. 3

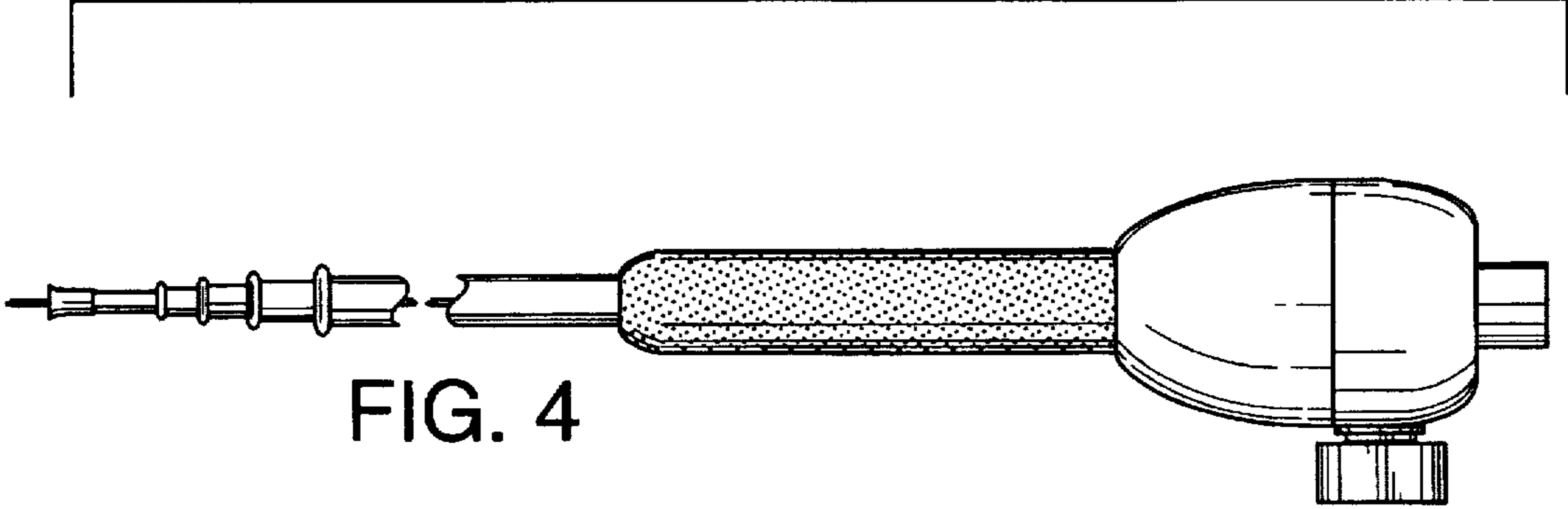


FIG. 4

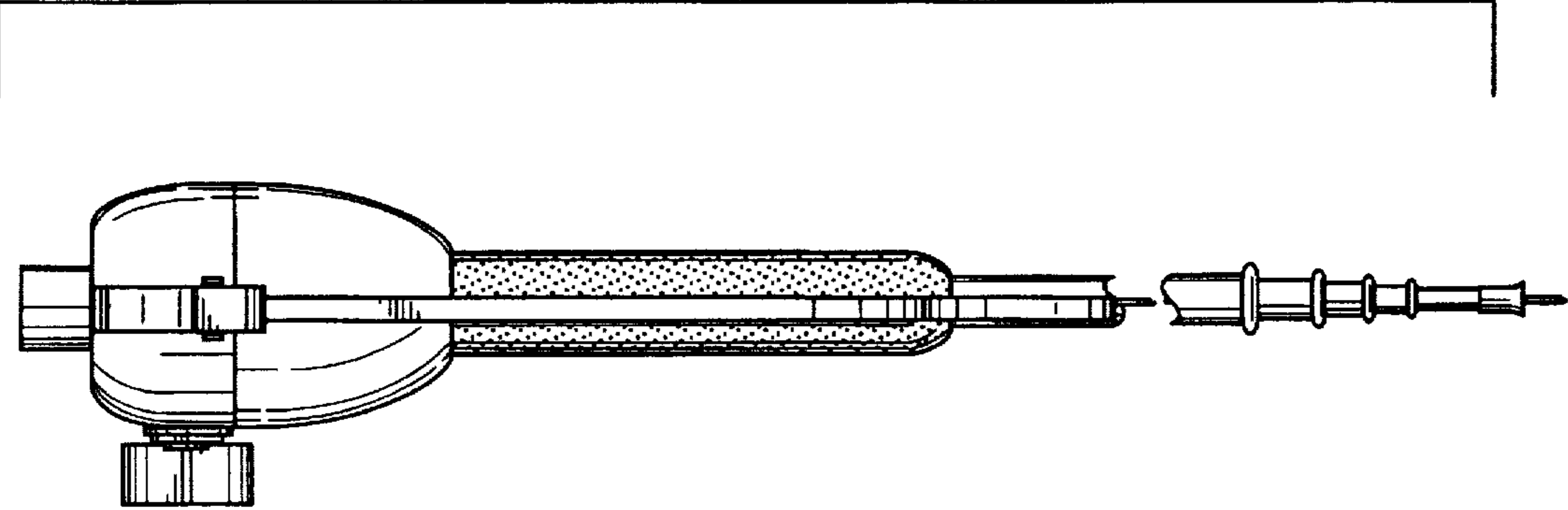


FIG. 5

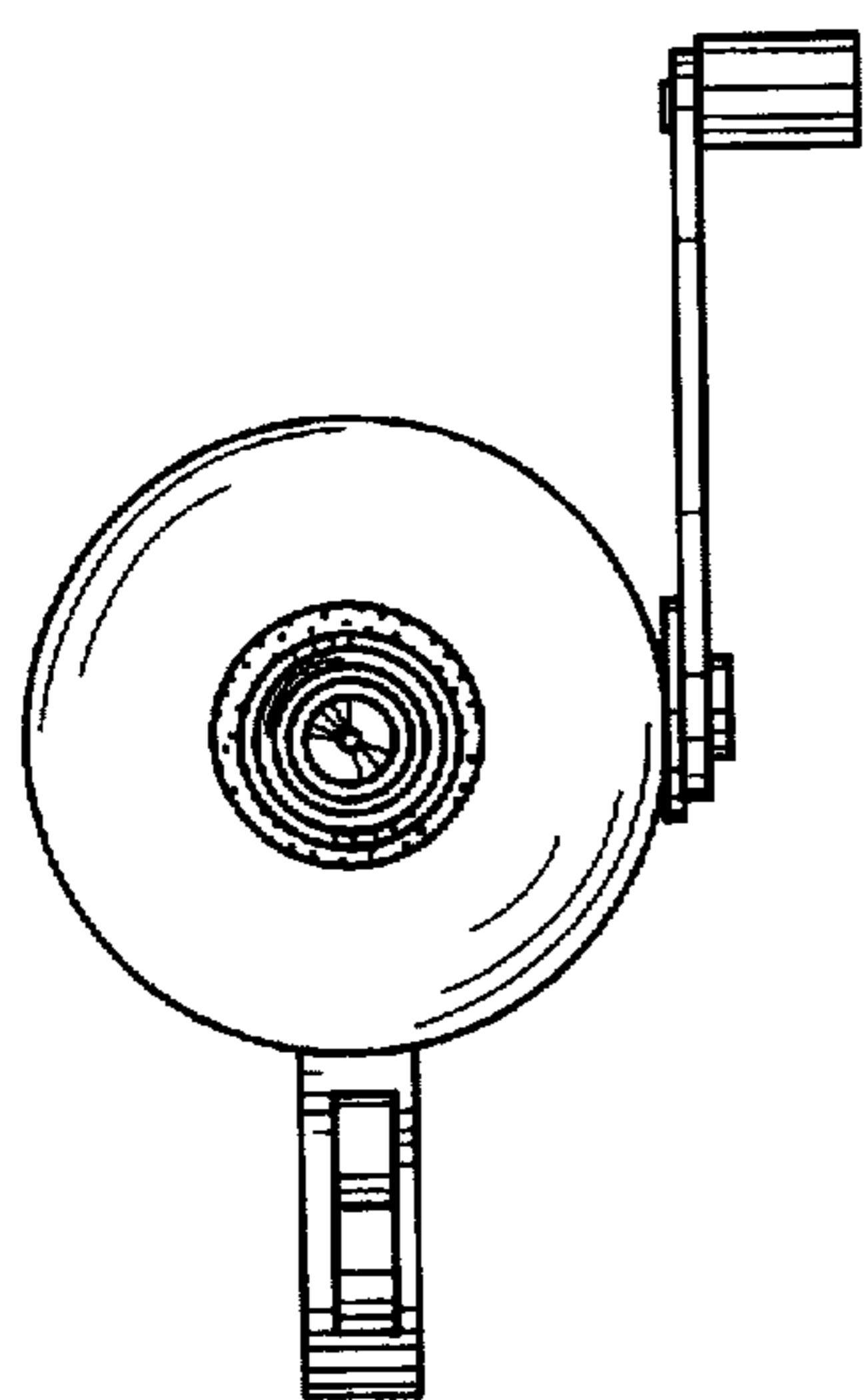


FIG. 6

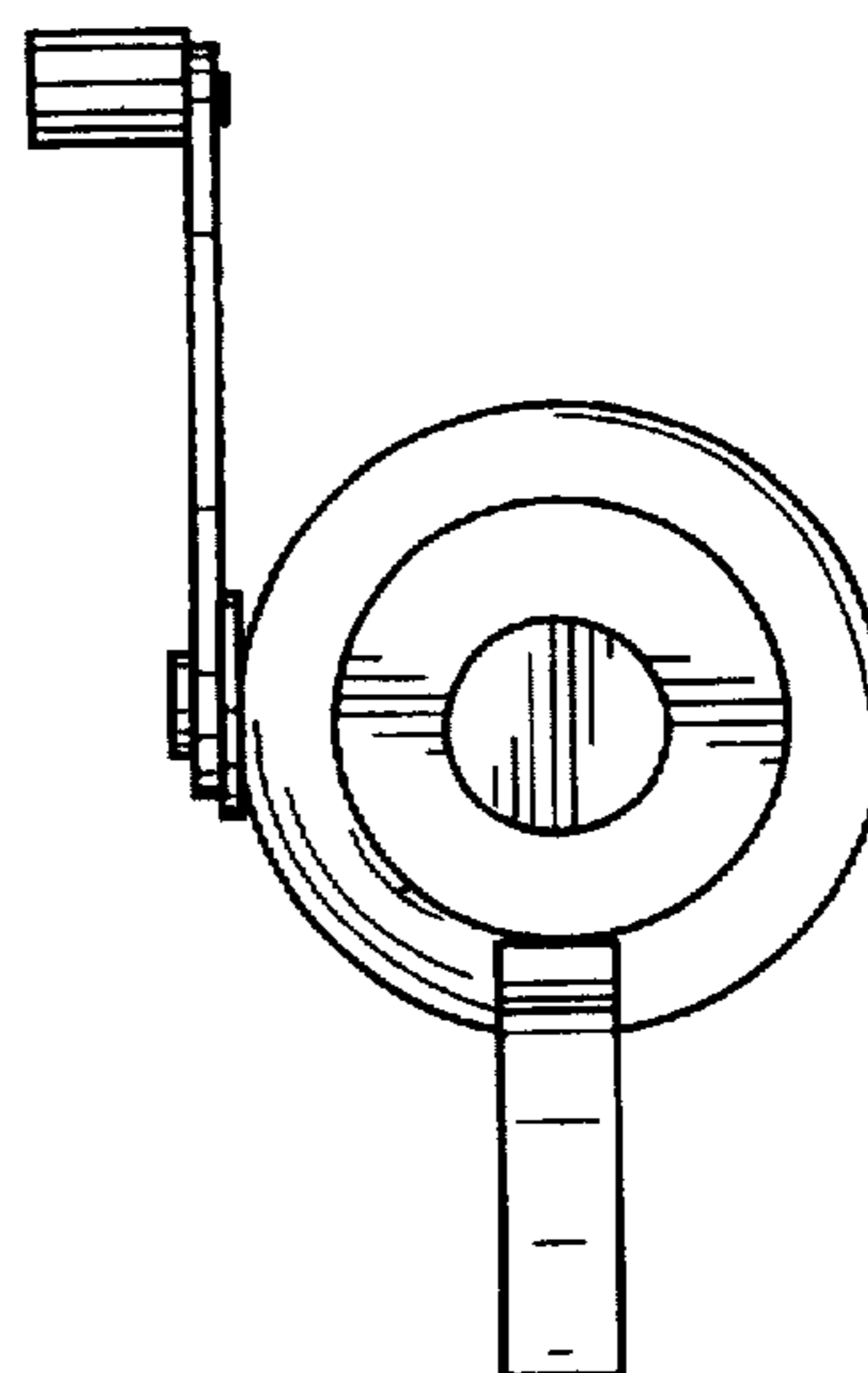


FIG. 7