



US00D396260S

United States Patent [19]

Wilson, Sr.

[11] Patent Number: **Des. 396,260**

[45] Date of Patent: ****Jul. 21, 1998**

[54] **MARBLE BUSTER GAME**

[76] Inventor: **Howard Wilson, Sr.**, 1004 Johnston Rd., Norfolk, Va. 23513

[**] Term: **14 Years**

[21] Appl. No.: **63,430**

[22] Filed: **Dec. 9, 1996**

[51] LOC (6) Cl. **21-02**

[52] U.S. Cl. **D21/232; D21/17**

[58] Field of Search **D21/14-36, 232; 273/236-286; 473/18**

D. 383,515	9/1997	Wiebe et al.	D21/232
1,106,991	8/1914	Thatcher	D21/32
1,273,237	7/1918	Lee	473/18
2,219,675	10/1940	Gillespie	473/18
3,700,235	10/1972	Meyers et al.	473/18
5,226,644	7/1993	Stone	473/18

Primary Examiner—Sandra L. Morris
Attorney, Agent, or Firm—Kaufman & Canoles

[57] CLAIM

The ornamental design of a marble buster game, as shown and described.

DESCRIPTION

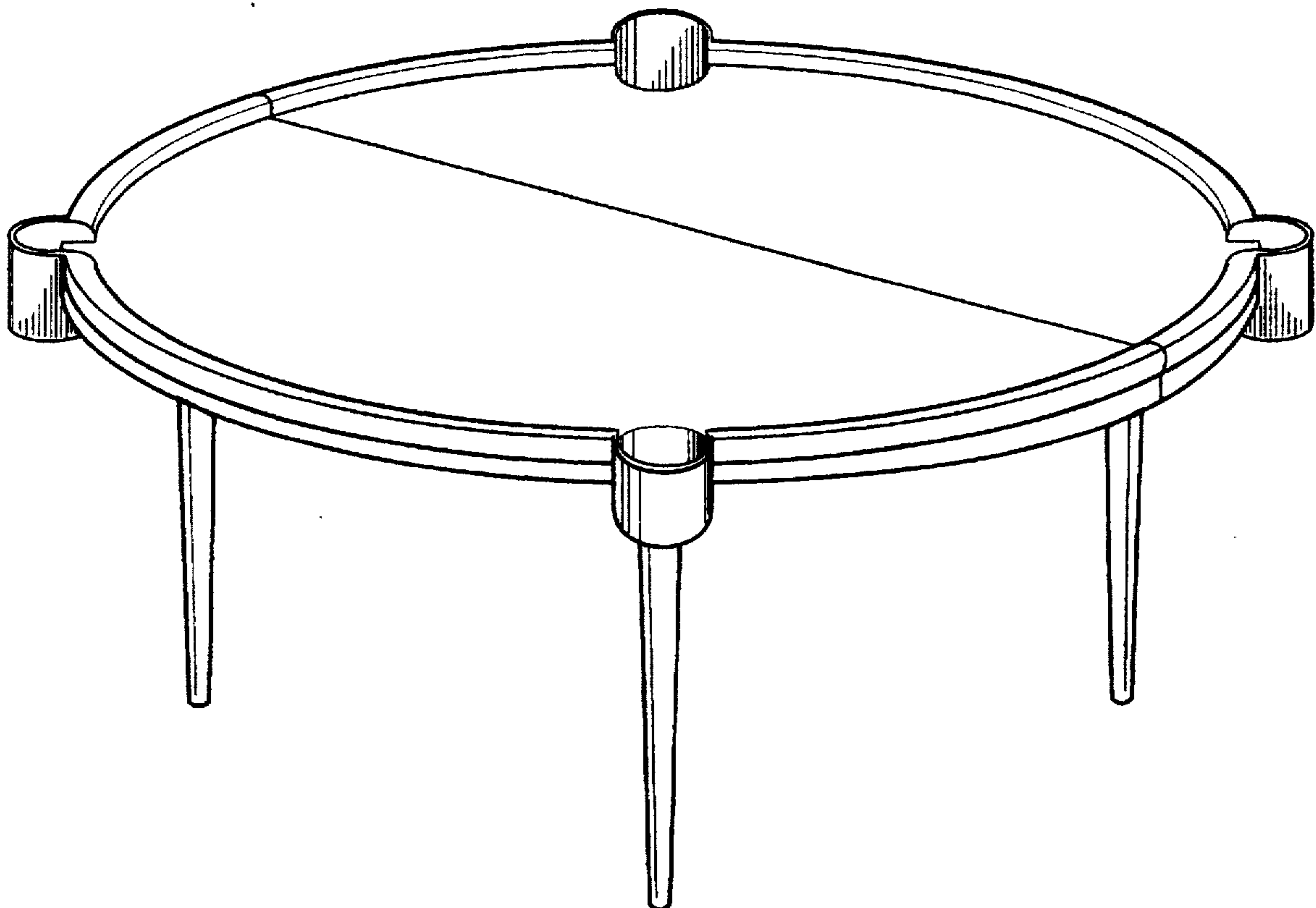
FIG. 1 is a top view of the marble buster game; FIG. 2 is a bottom view of the marble buster game; FIG. 3 is a front end view of the marble buster game; FIG. 4 is a left end view of the marble buster game; FIG. 5 is a right end view of the marble buster game; FIG. 6 is a back end view of the marble buster game; and, FIG. 7 is a perspective view of the marble buster game.

1 Claim, 3 Drawing Sheets

[56] References Cited

U.S. PATENT DOCUMENTS

D. 39,173	3/1908	Pearson	D21/232
D. 84,134	5/1931	Dickerman	D21/27
D. 217,370	4/1970	Kooker	D21/232
D. 221,672	8/1971	Kalilich	D21/15
D. 238,953	2/1976	Cecchetti	D21/14
D. 282,096	1/1986	Levand	D21/232



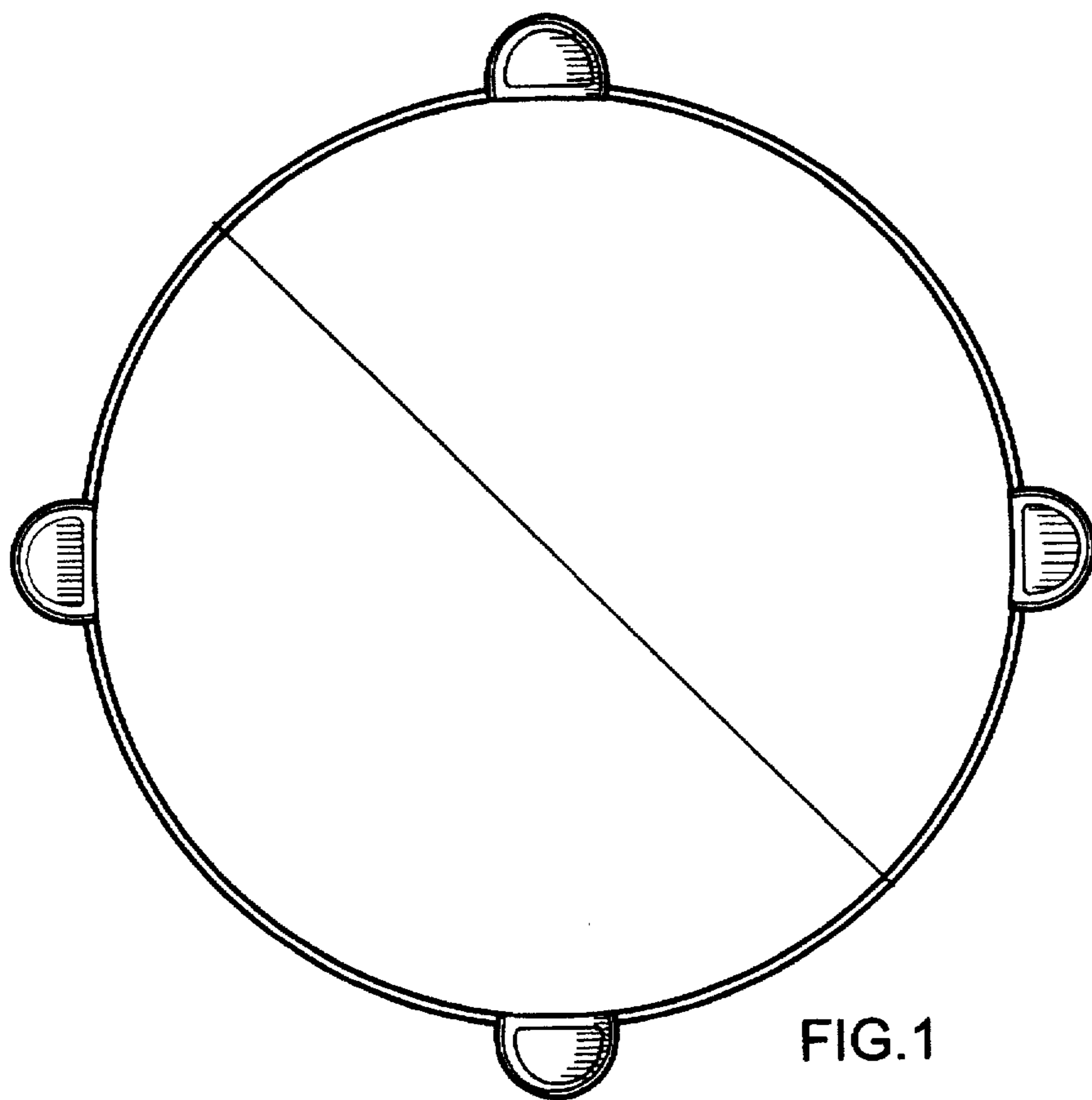


FIG. 1

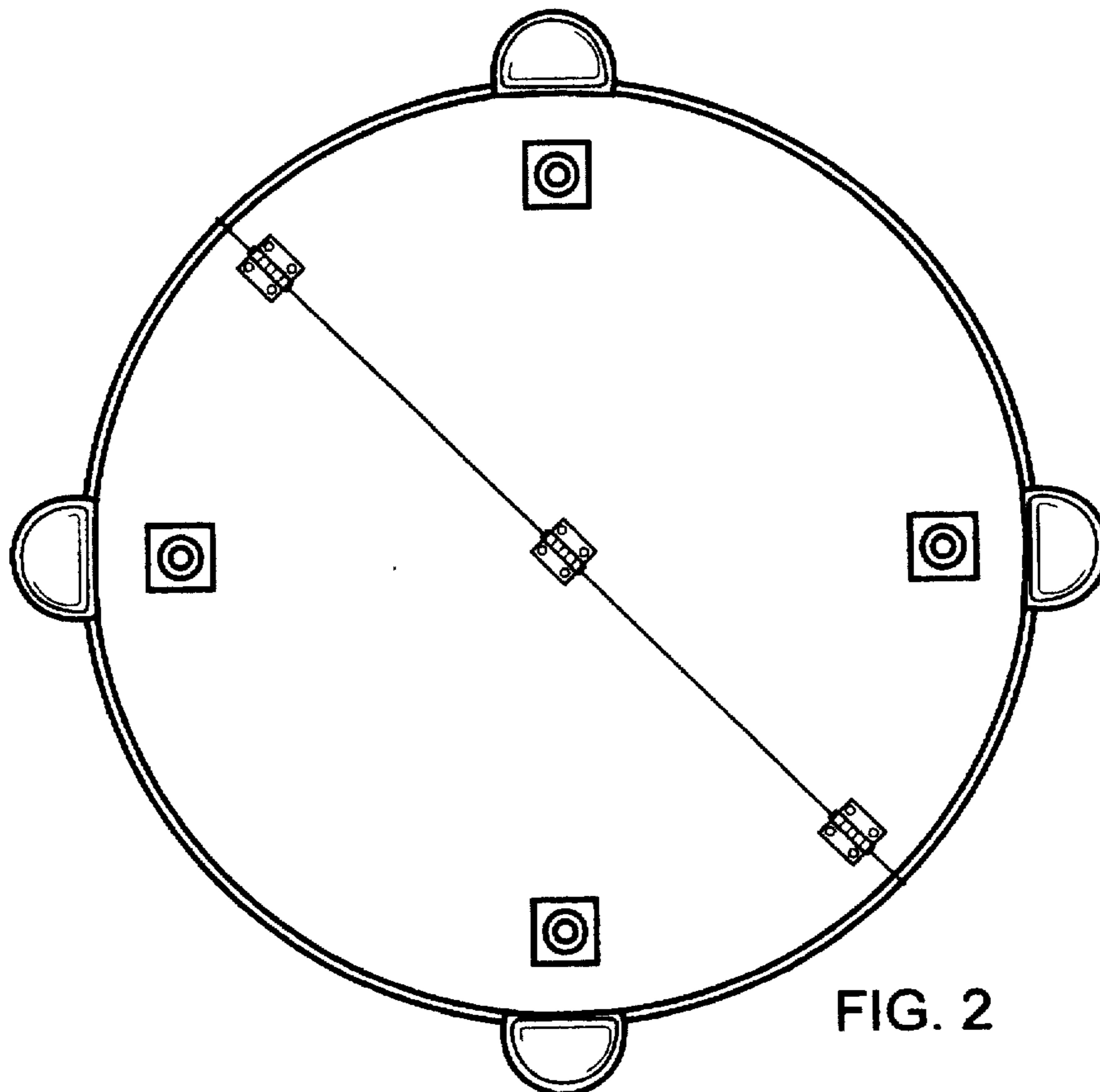


FIG. 2

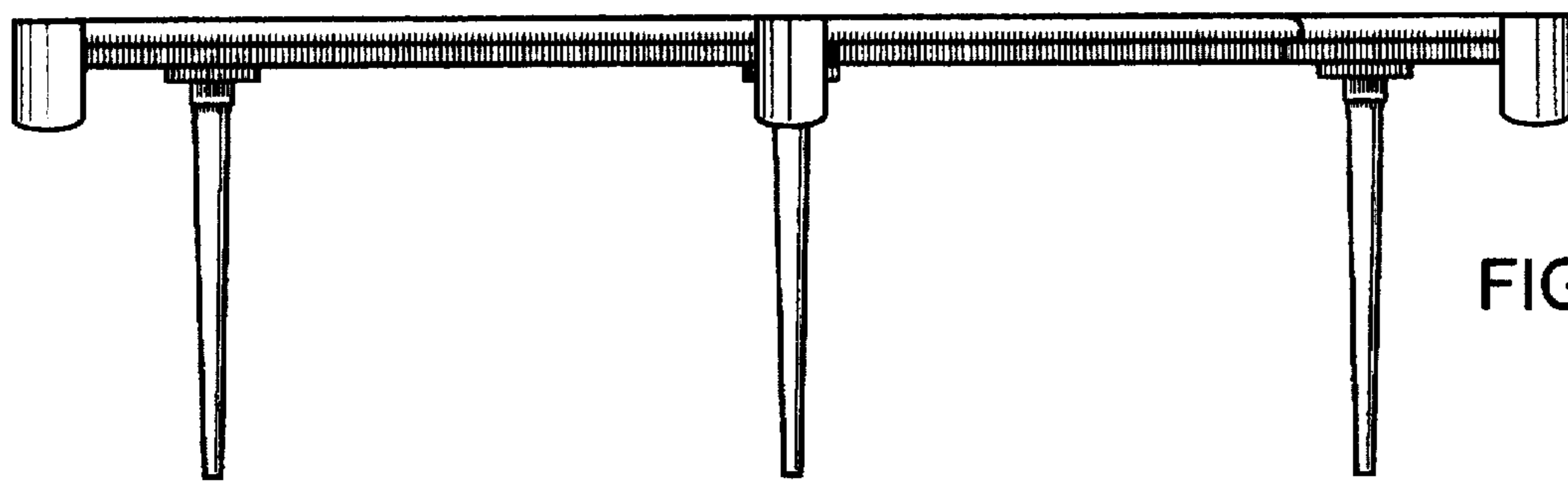


FIG. 3

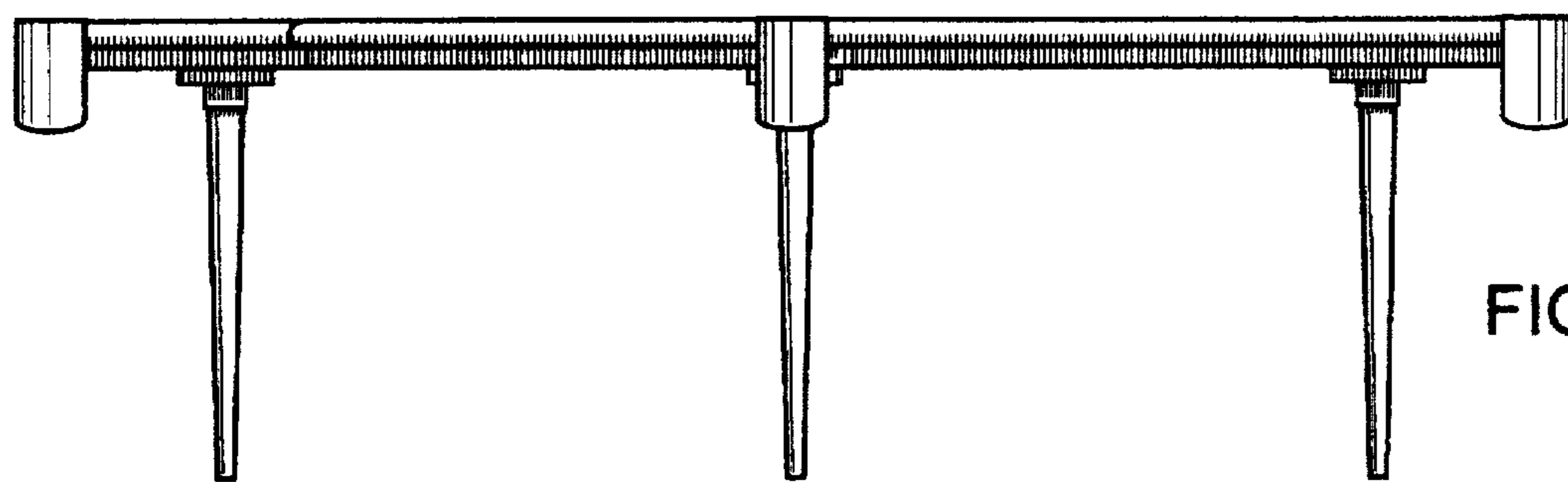


FIG. 4

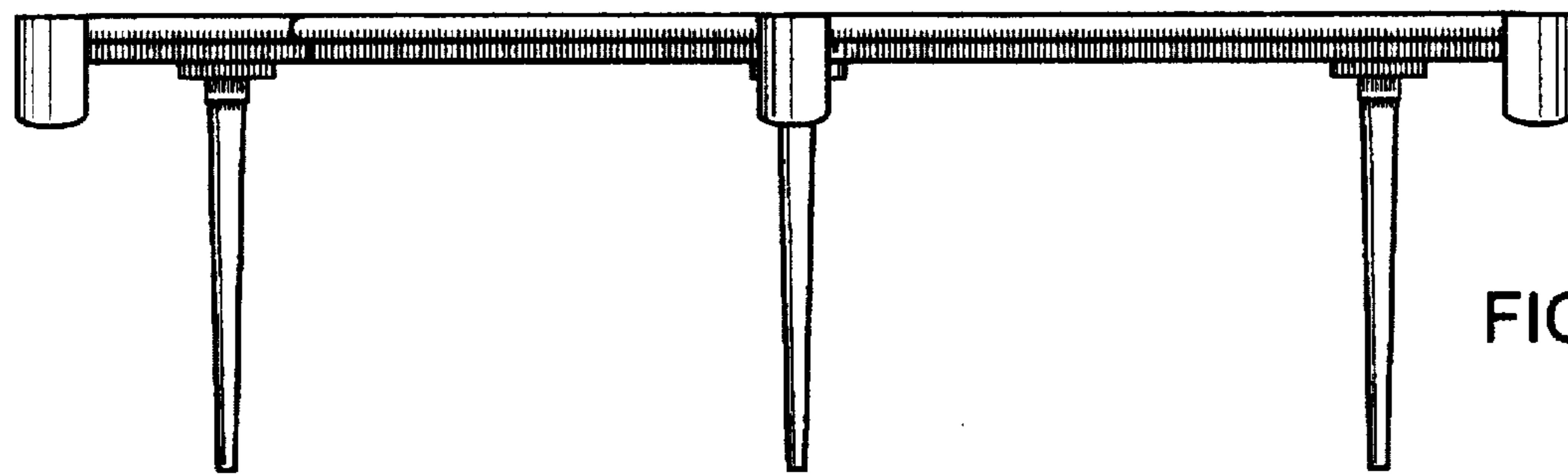


FIG. 5

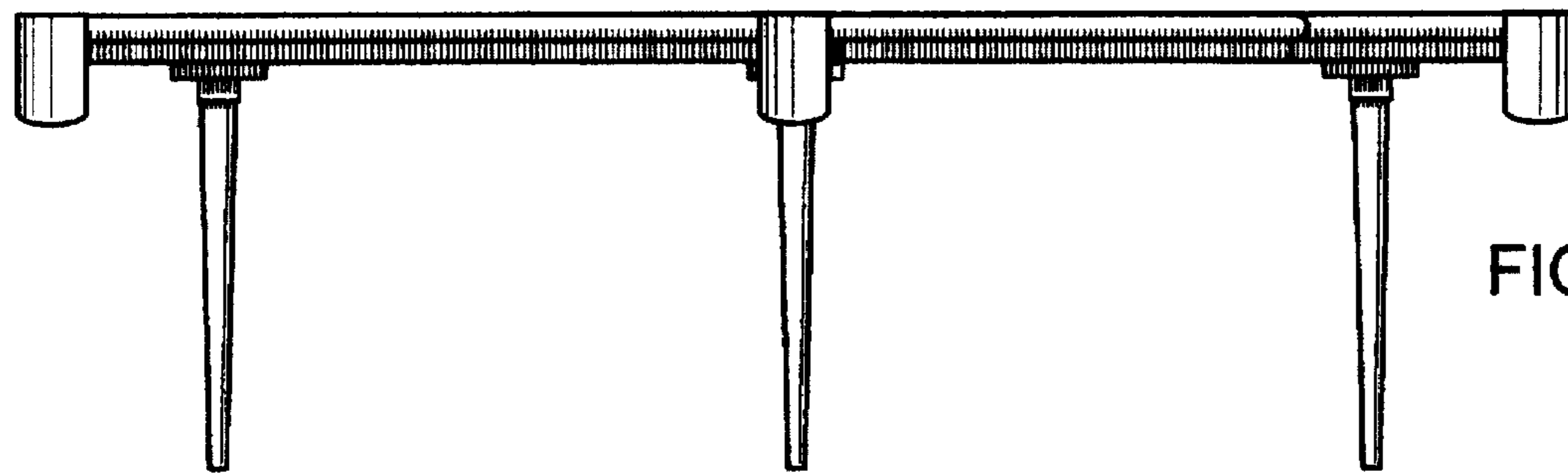


FIG. 6

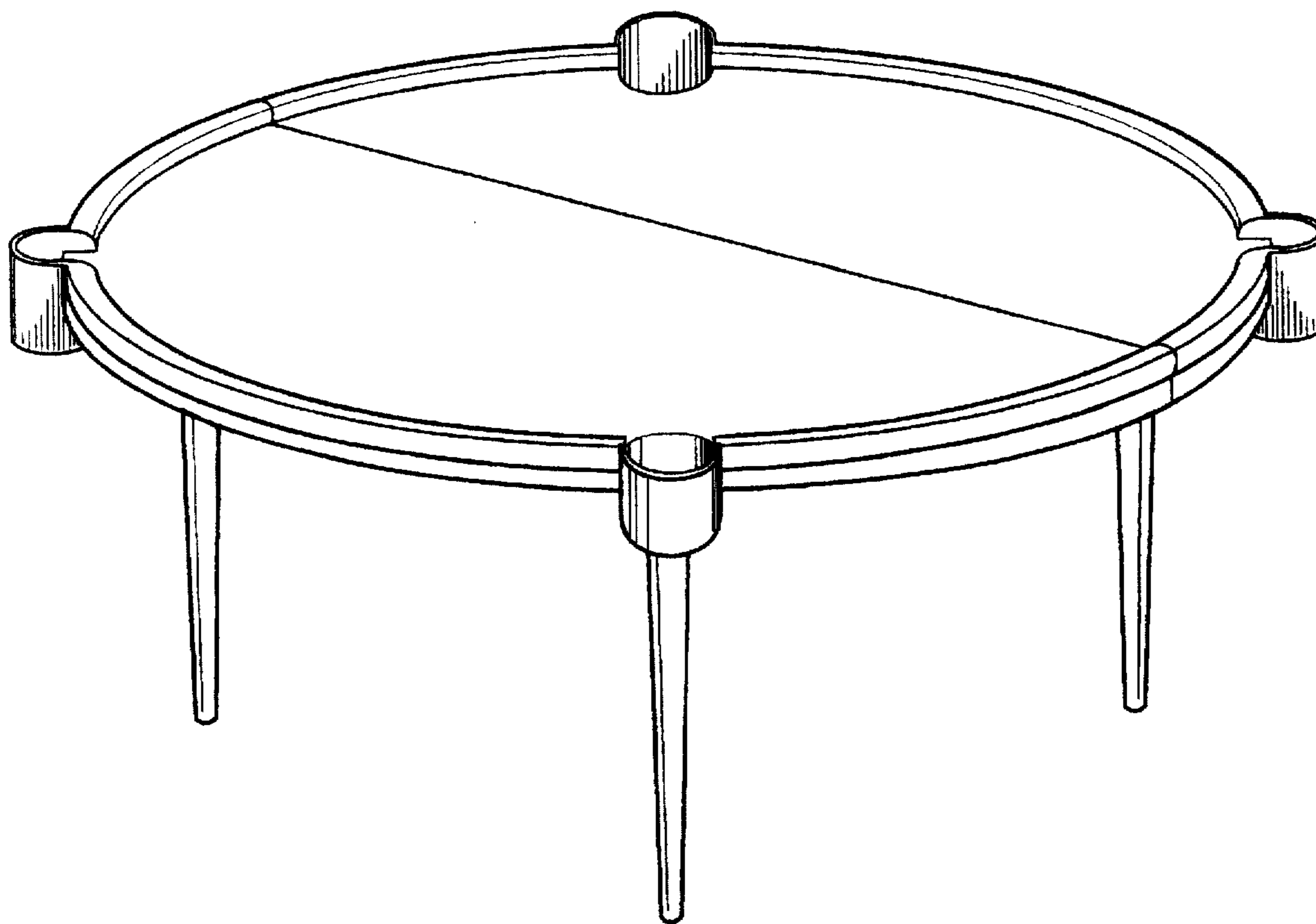


FIG. 7