



US00D396258S

United States Patent [19]
Sheets

[11] **Patent Number: Des. 396,258**
[45] **Date of Patent: **Jul. 21, 1998**

[54] **GOLF CLUB PUTTER HEAD**

[76] **Inventor: Jeffrey D. Sheets, 12 Southwood Dr., Wilbraham, Mass. 01095**

[**] **Term: 14 Years**

[21] **Appl. No.: 65,309**

[22] **Filed: Jan. 23, 1997**

[51] **LOC (6) Cl. 21-02**

[52] **U.S. Cl. D21/219**

[58] **Field of Search D21/217-219;
473/251-256, 340, 341**

[56] **References Cited**

U.S. PATENT DOCUMENTS

D. 212,890	12/1968	Rose	D21/217
D. 255,373	6/1980	Solheim	D21/219
D. 341,405	11/1993	Solheim	D21/219
D. 363,327	10/1995	Greene et al.	D21/219
D. 363,328	10/1995	Greene et al.	D21/219
D. 363,330	10/1995	Greene et al.	D21/219
D. 368,505	4/1996	Greene et al.	D21/219
4,043,562	8/1977	Shillington	473/254

OTHER PUBLICATIONS

Golf Day; p. 9 MacGregor putter, item A, lower right corner of page, Jul. 1994.

Golf World, Wilson supplement; p. 9; Top two rows of putters, Feb. 1988.

Golf World; p. 24; Item A, upper right corner of page, Nov. 1979.

Primary Examiner—Ted Shooman

Assistant Examiner—Mitchell I. Siegel

[57] **CLAIM**

The ornamental design of the golf club putter head, as shown and described.

DESCRIPTION

FIG. 1 is a perspective view of the golf club putter head showing the design of my invention;

FIG. 2 is a front view thereof;

FIG. 3 is a top plan view thereof;

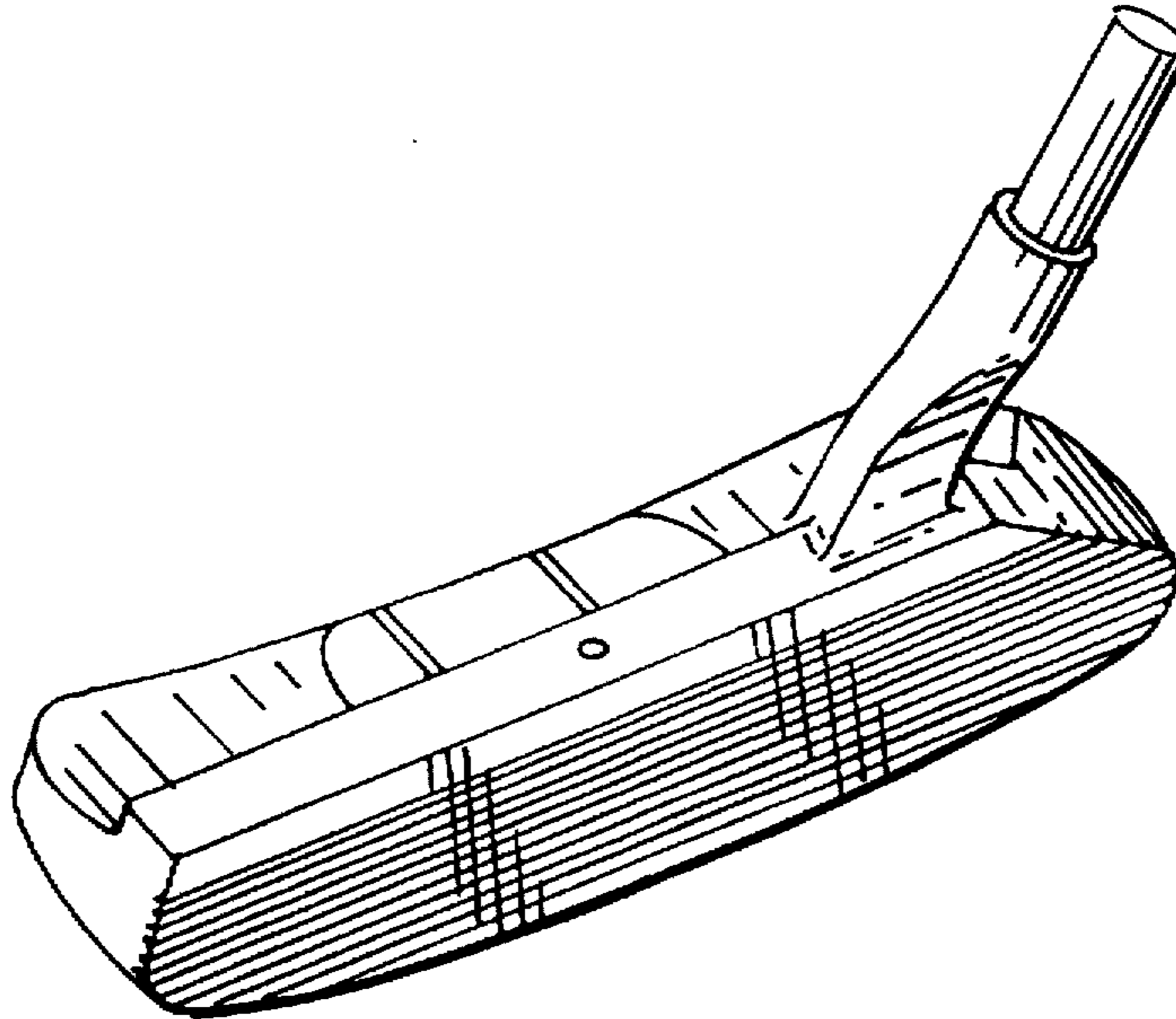
FIG. 4 is a rear view thereof;

FIG. 5 is a bottom view thereof;

FIG. 6 is a left end view thereof; and,

FIG. 7 is a right end view thereof.

1 Claim, 2 Drawing Sheets



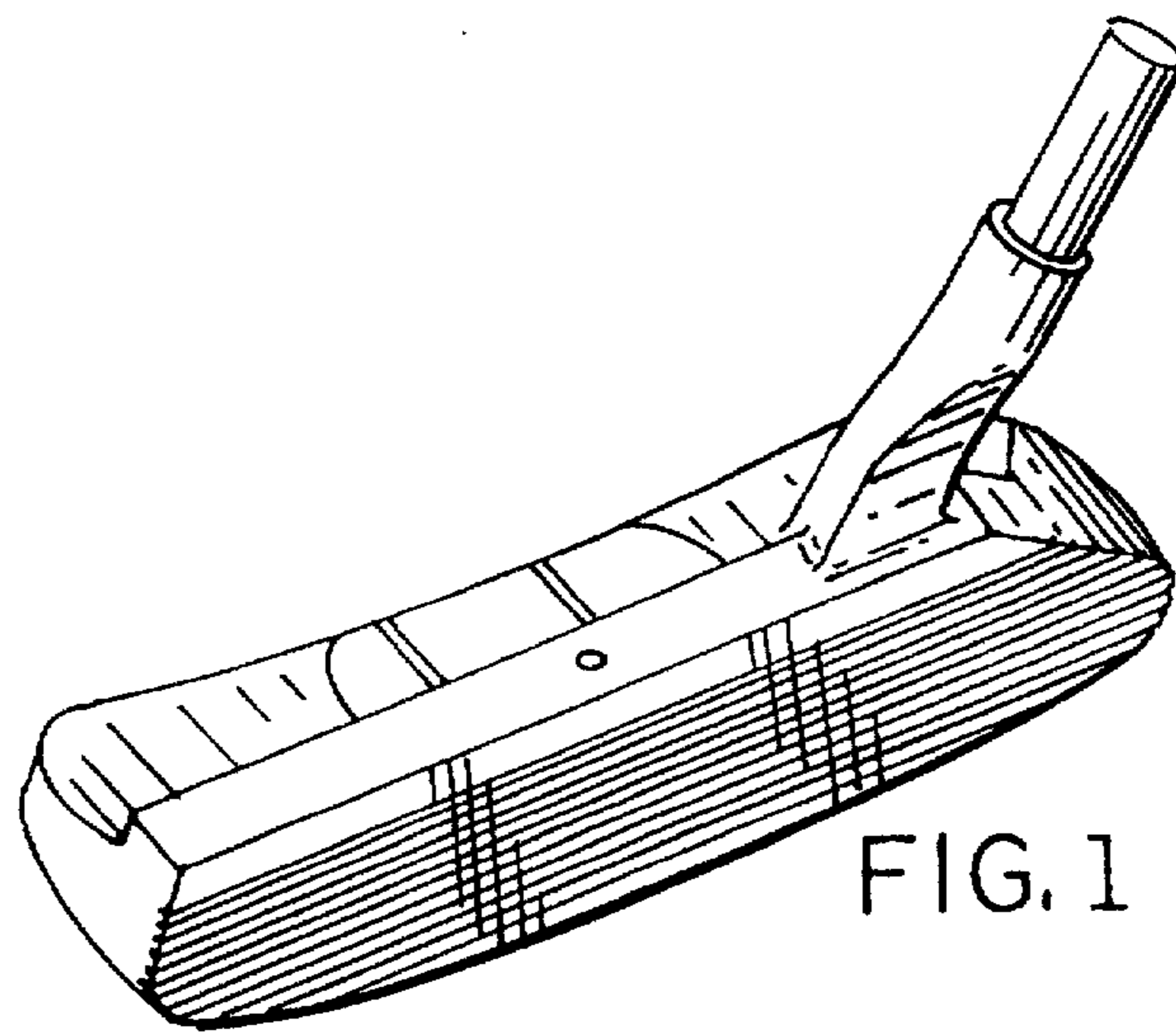


FIG. 1

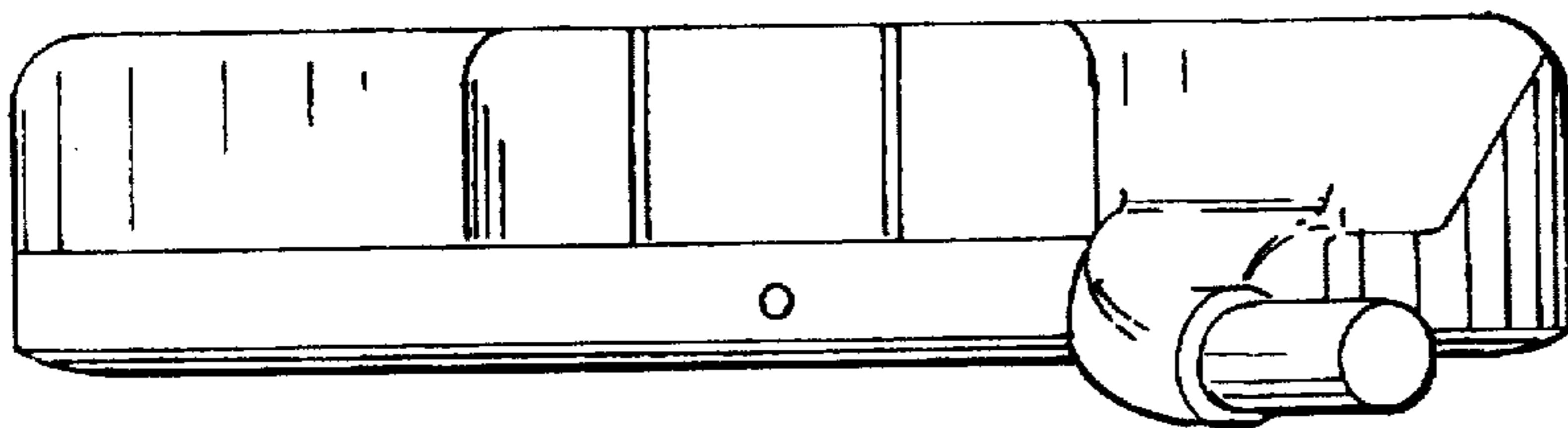


FIG. 3

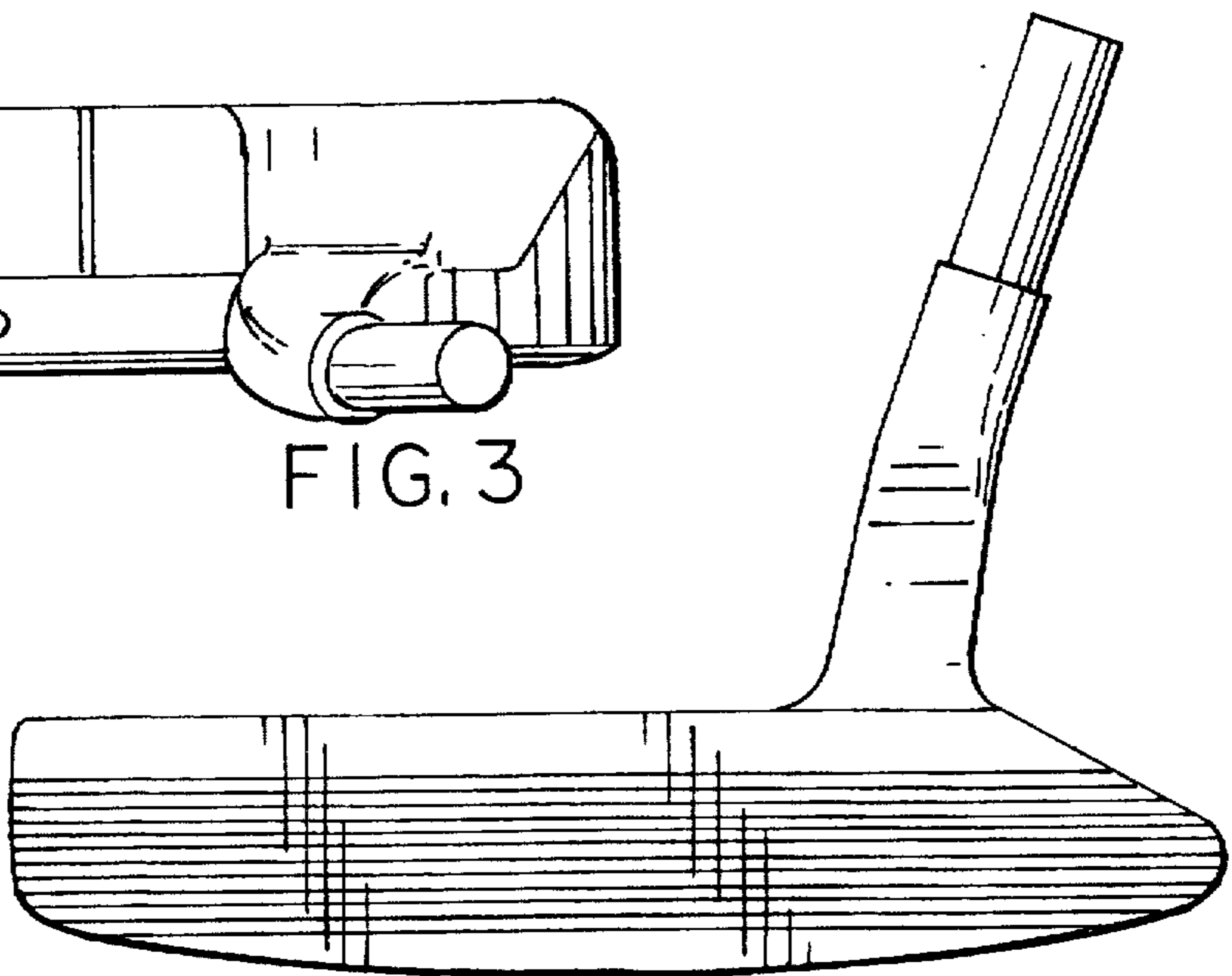


FIG. 2

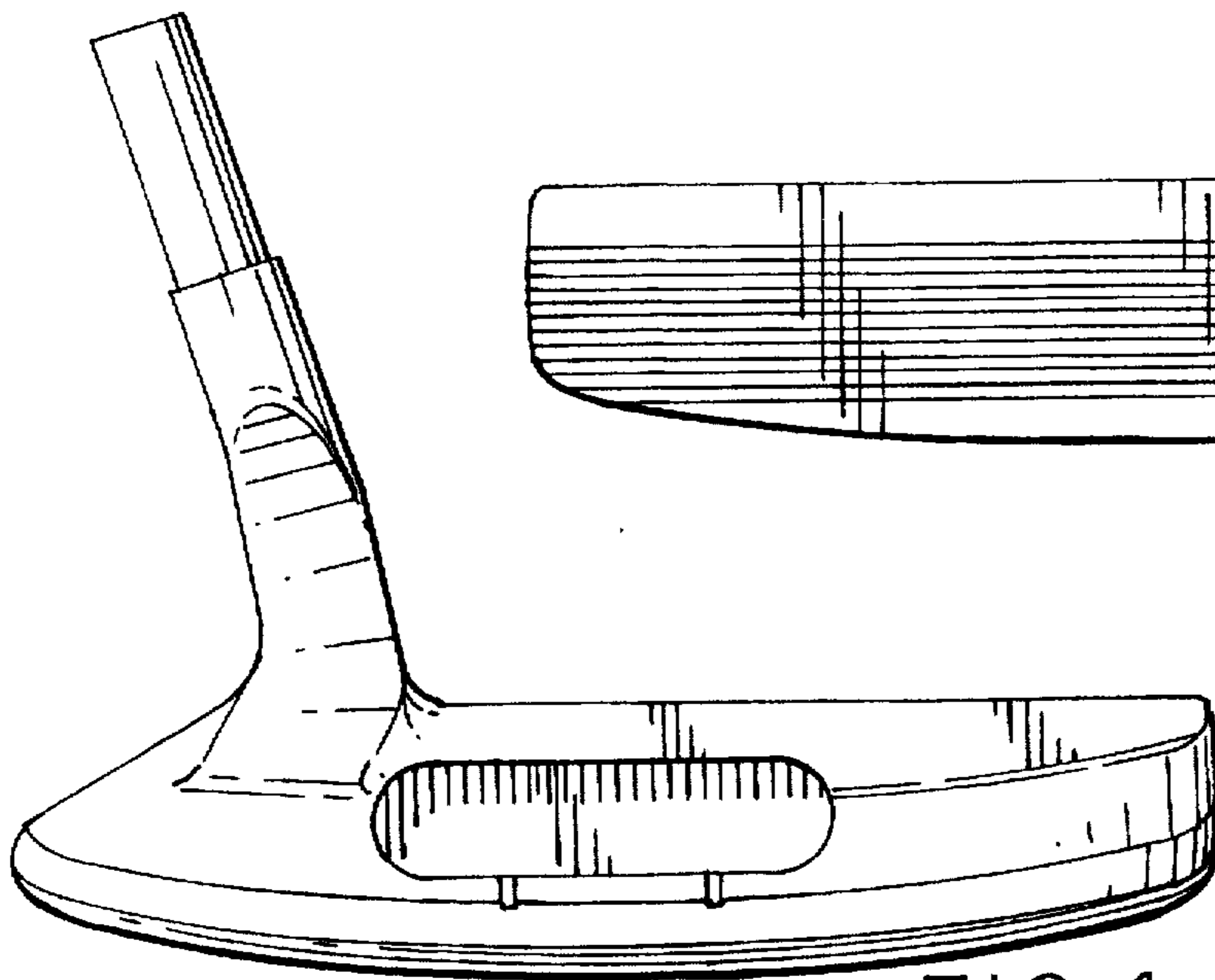


FIG. 4

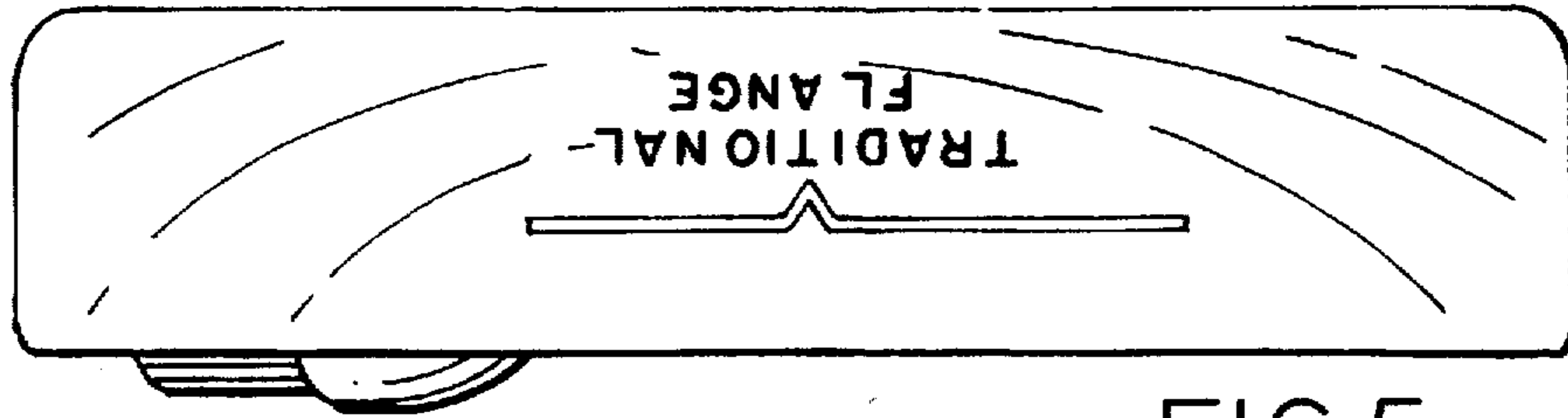


FIG. 5

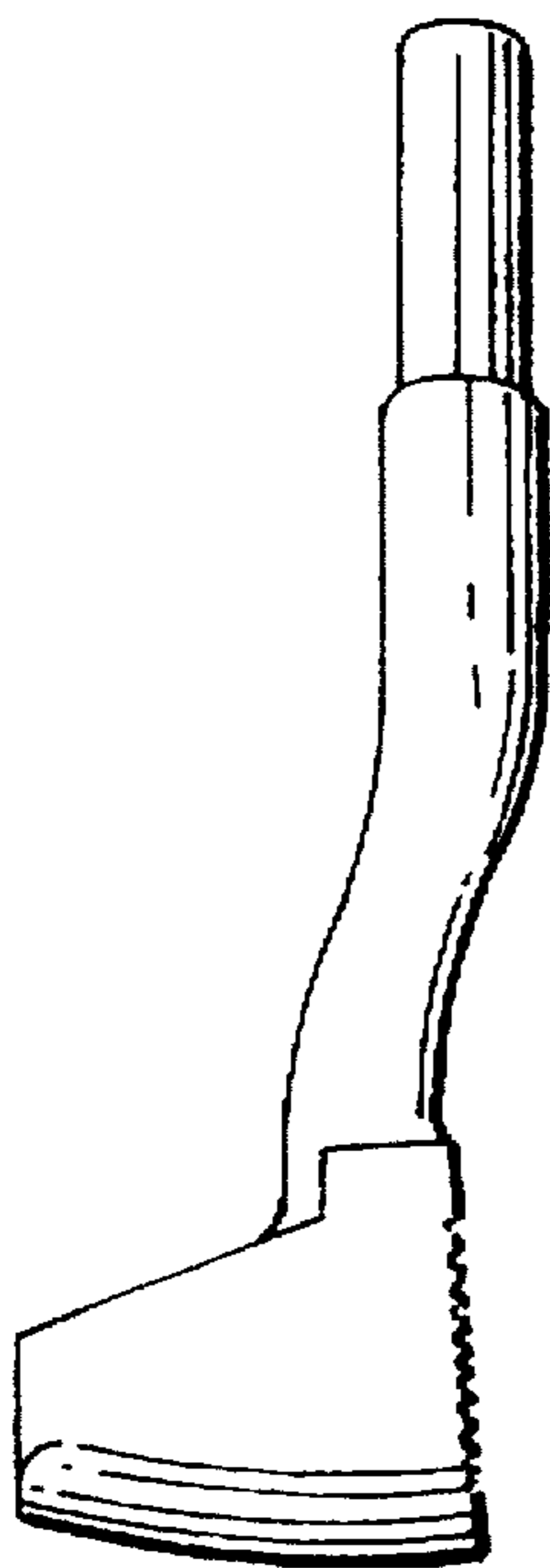


FIG. 6

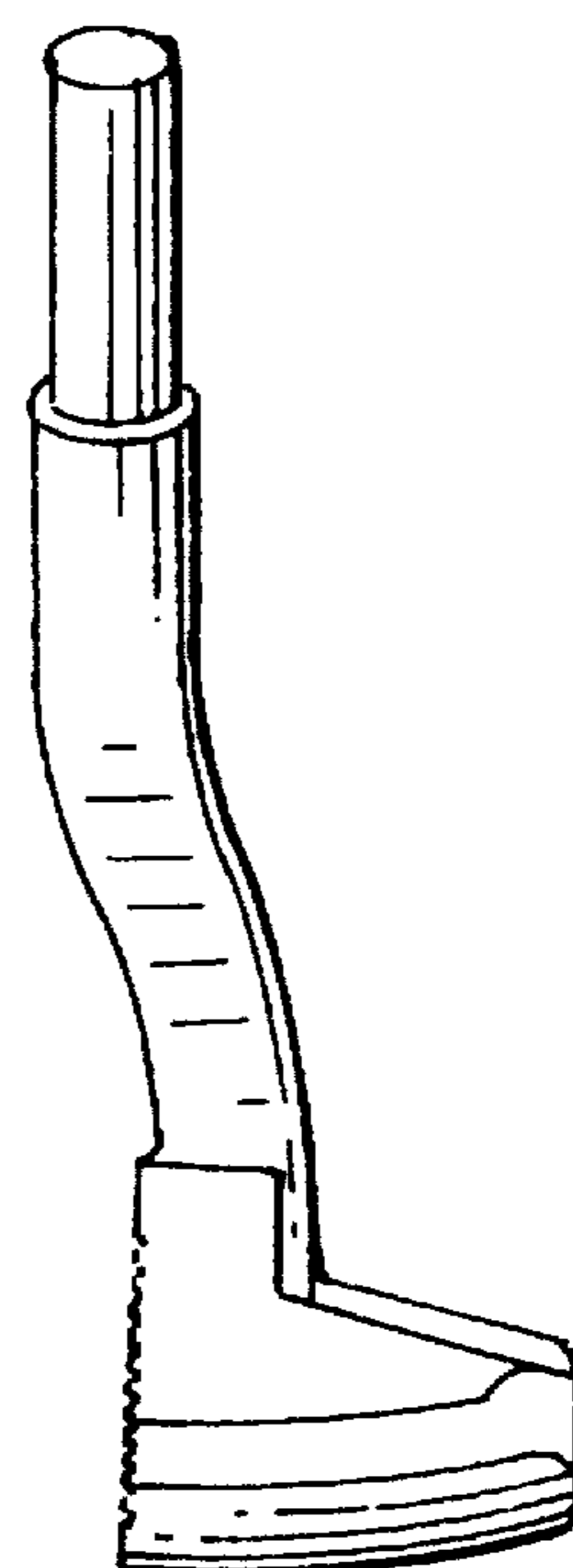


FIG. 7