



US00D396254S

United States Patent [19]
Nielsen

[11] **Patent Number:** **Des. 396,254**
[45] **Date of Patent:** ****Jul. 21, 1998**

[54] **TOY HOUSE**

4,723,930 2/1988 Freese et al. 446/93

[75] **Inventor:** **Helle Kleist Nielsen, Frederiksberg, Denmark**

[73] **Assignee:** **INTERLEGO AG, Baar, Switzerland**

[**] **Term:** **14 Years**

[21] **Appl. No.:** **76,736**

[22] **Filed:** **Sep. 18, 1997**

[51] **LOC (6) Cl.** **21-01**

[52] **U.S. Cl.** **D21/108; D21/114**

[58] **Field of Search** **D21/59, 108, 109, D21/114-118; 446/85, 102, 104-107, 110, 120, 125, 128, 476, 478**

[56] **References Cited**

U.S. PATENT DOCUMENTS

D. 305,247	12/1989	Ukisu	D21/59
D. 305,440	1/1990	Ukisu	D21/59
D. 335,900	5/1993	Oshimi	D21/59
D. 371,811	7/1996	Clark	D21/108
D. 382,312	8/1997	Petersson	D21/108

OTHER PUBLICATIONS

Toy "E62" Small World Toys Catalog, p. 16, 1984.

Primary Examiner—Raphael Barkai
Attorney, Agent, or Firm—Kane, Dalsimer, Sullivan, Kurucz, Levy, Eisele and Richard, LLP

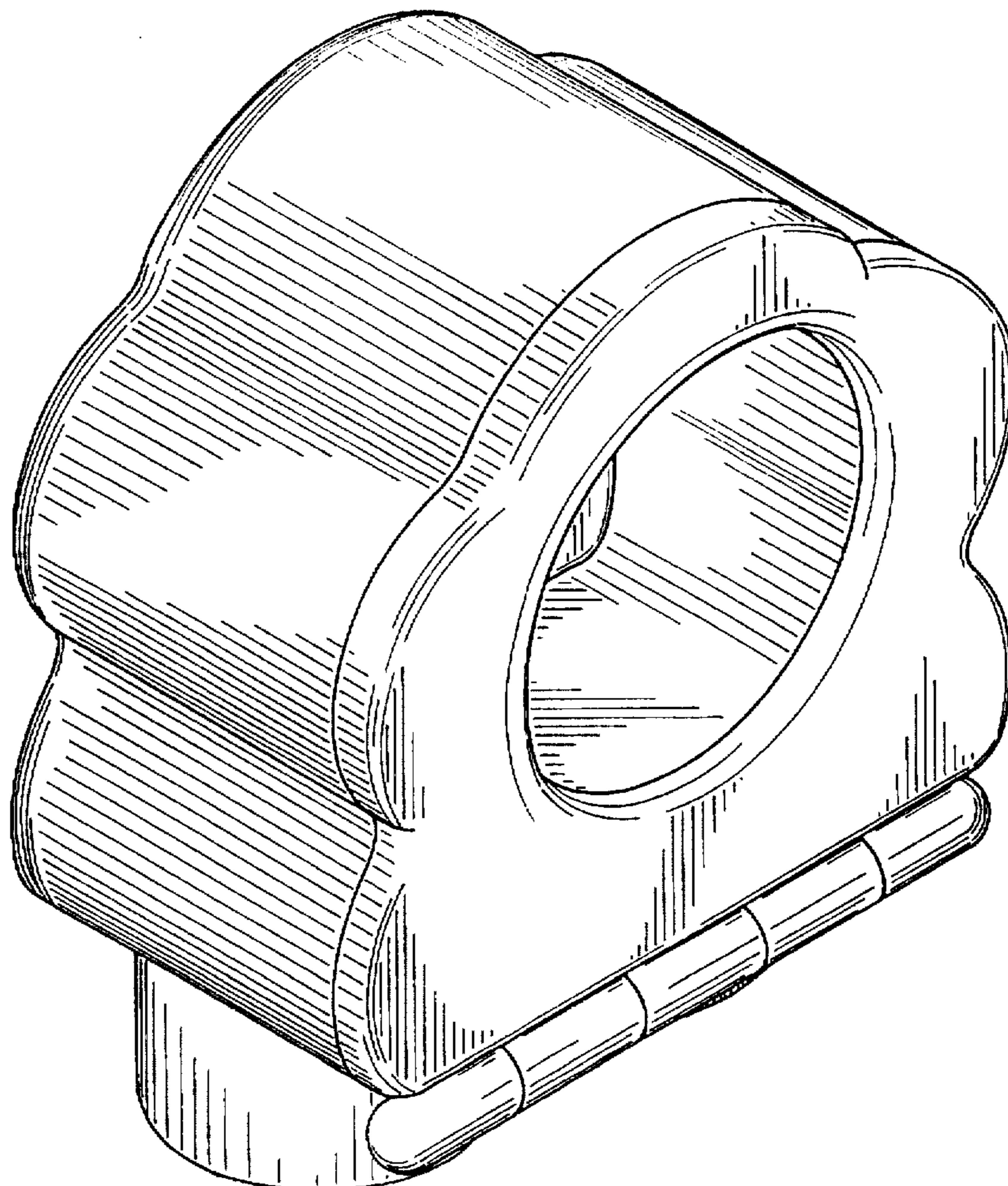
[57] **CLAIM**

The ornamental design for a toy house, as shown and described.

DESCRIPTION

FIG. 1 is a top perspective view of the toy house; FIG. 2 is a bottom perspective view thereof; FIG. 3 is a top perspective view thereof with open front wall; FIG. 4 is a front elevational view thereof; FIG. 5 is a right side elevational view thereof; FIG. 6 is a left side elevational view thereof; FIG. 7 is a rear elevational view thereof; FIG. 8 is a bottom plan view thereof; and, FIG. 9 is a top plan view thereof.

1 Claim, 6 Drawing Sheets



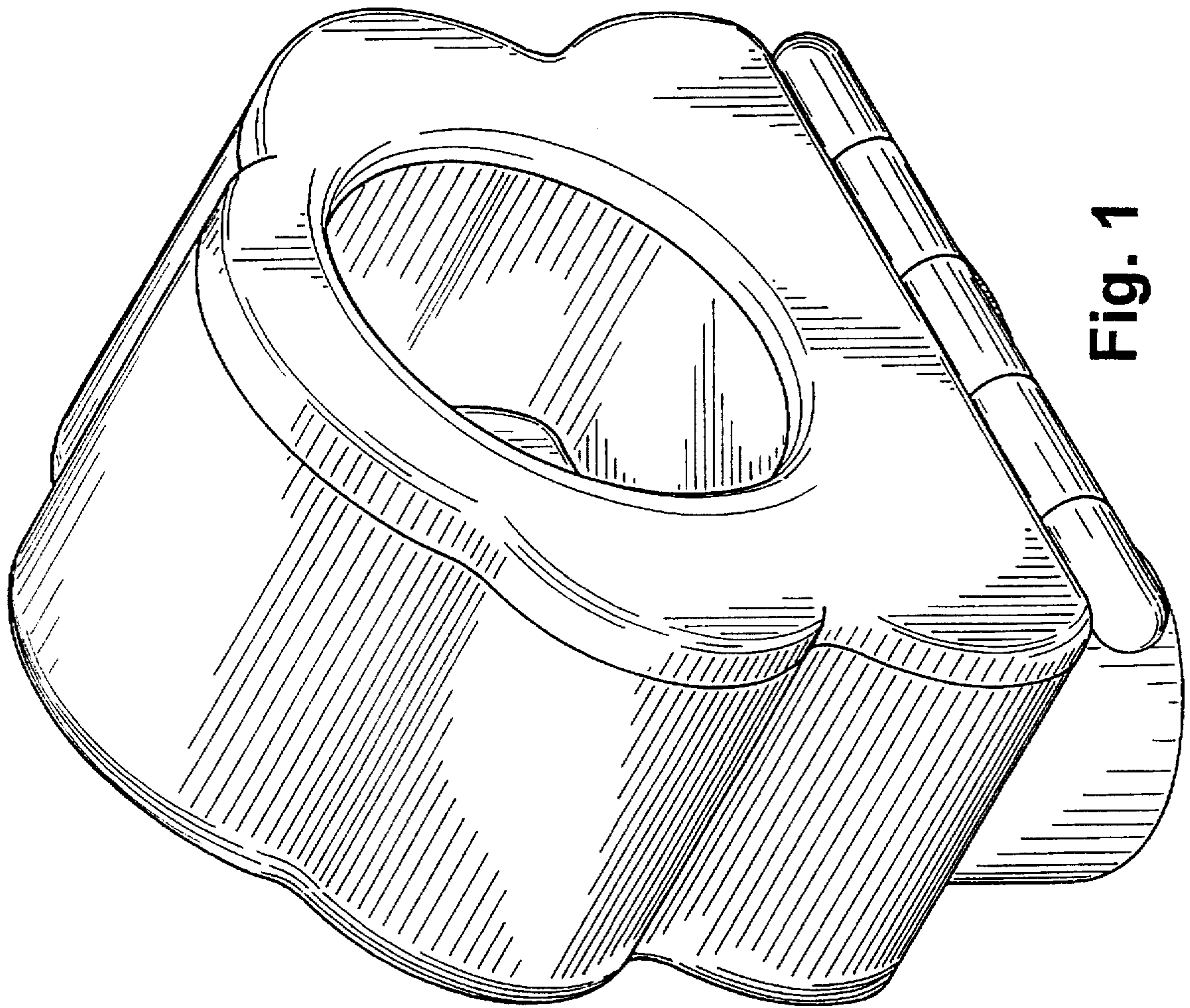


Fig. 1

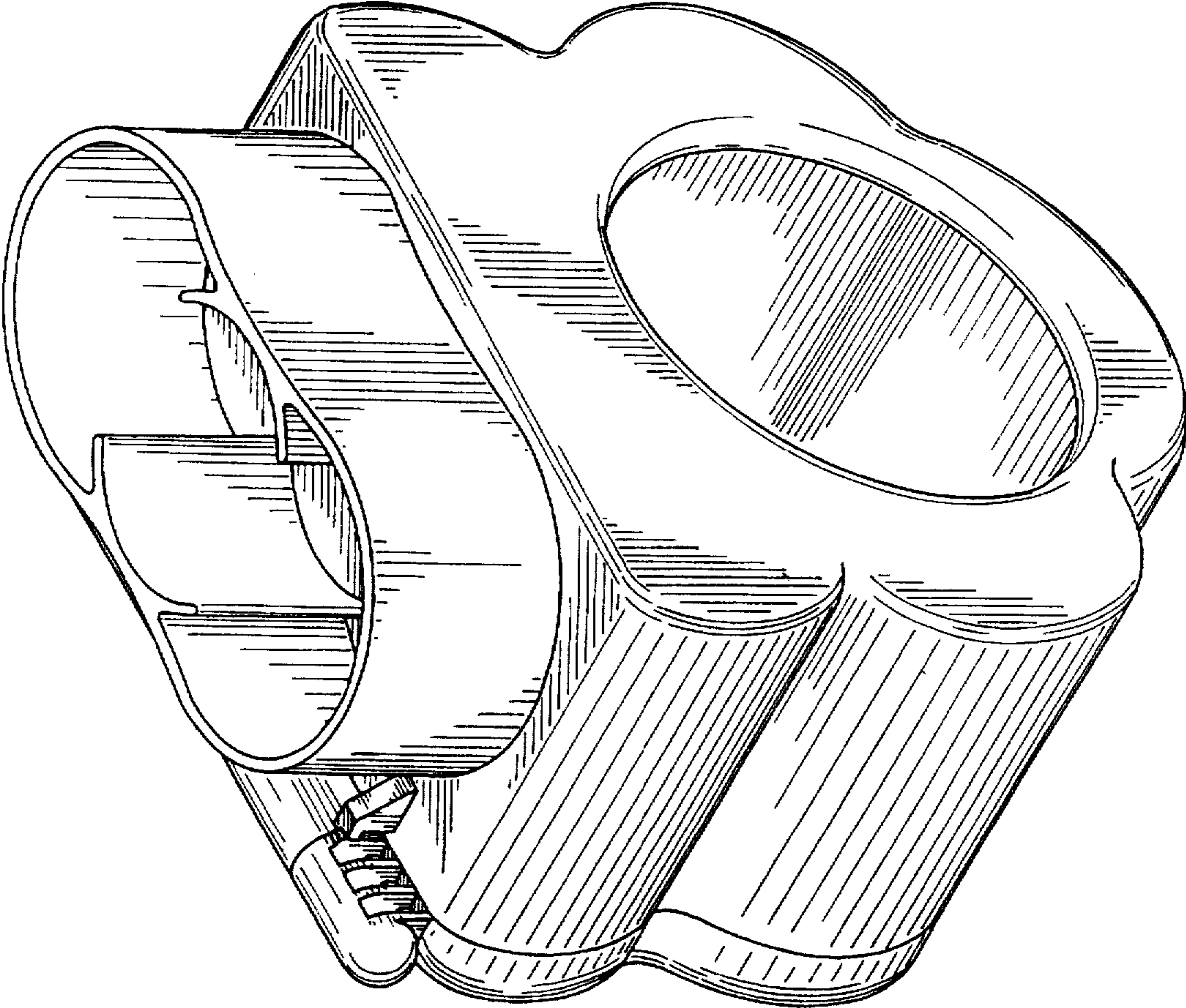


Fig. 2

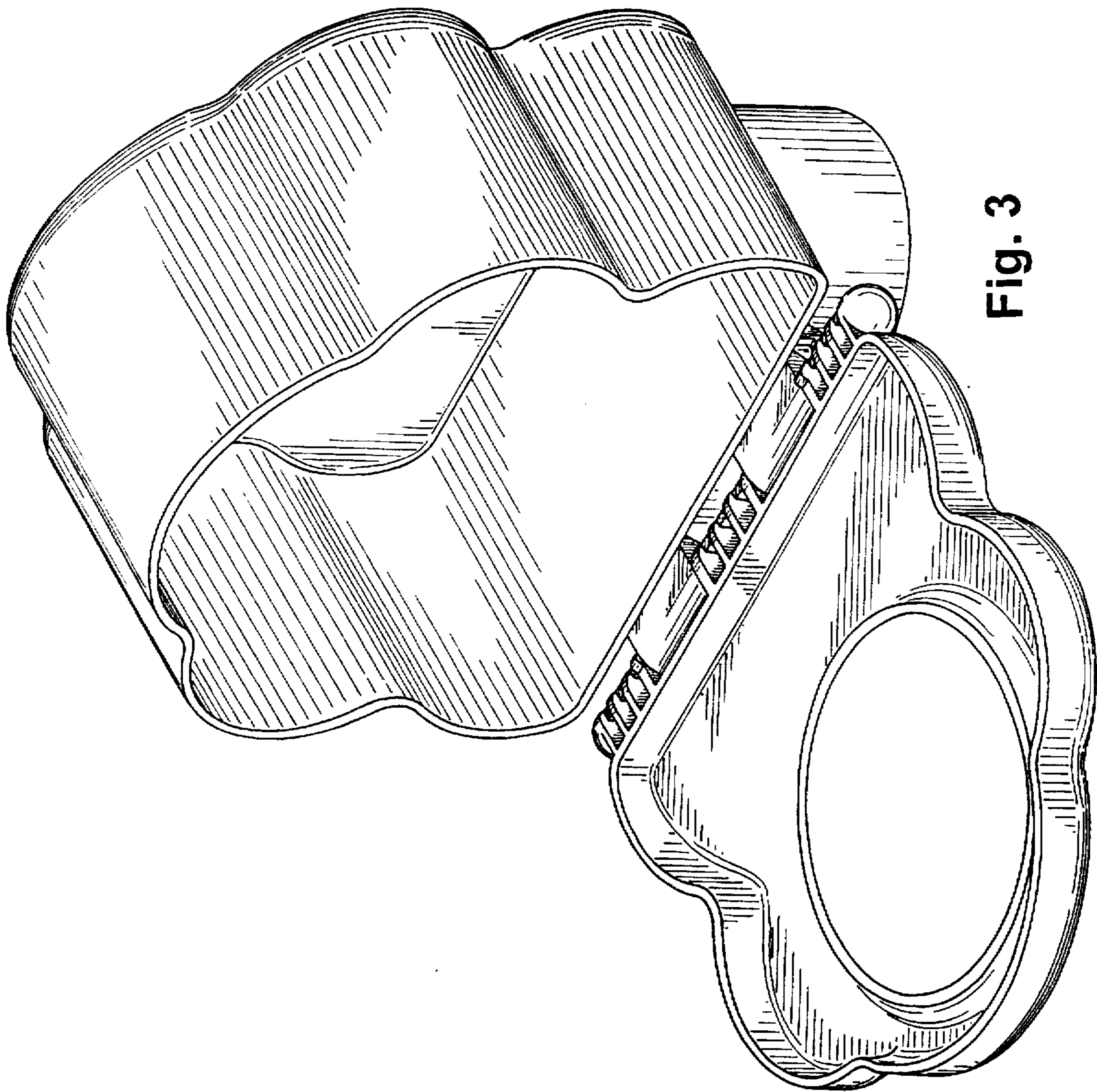


Fig. 3

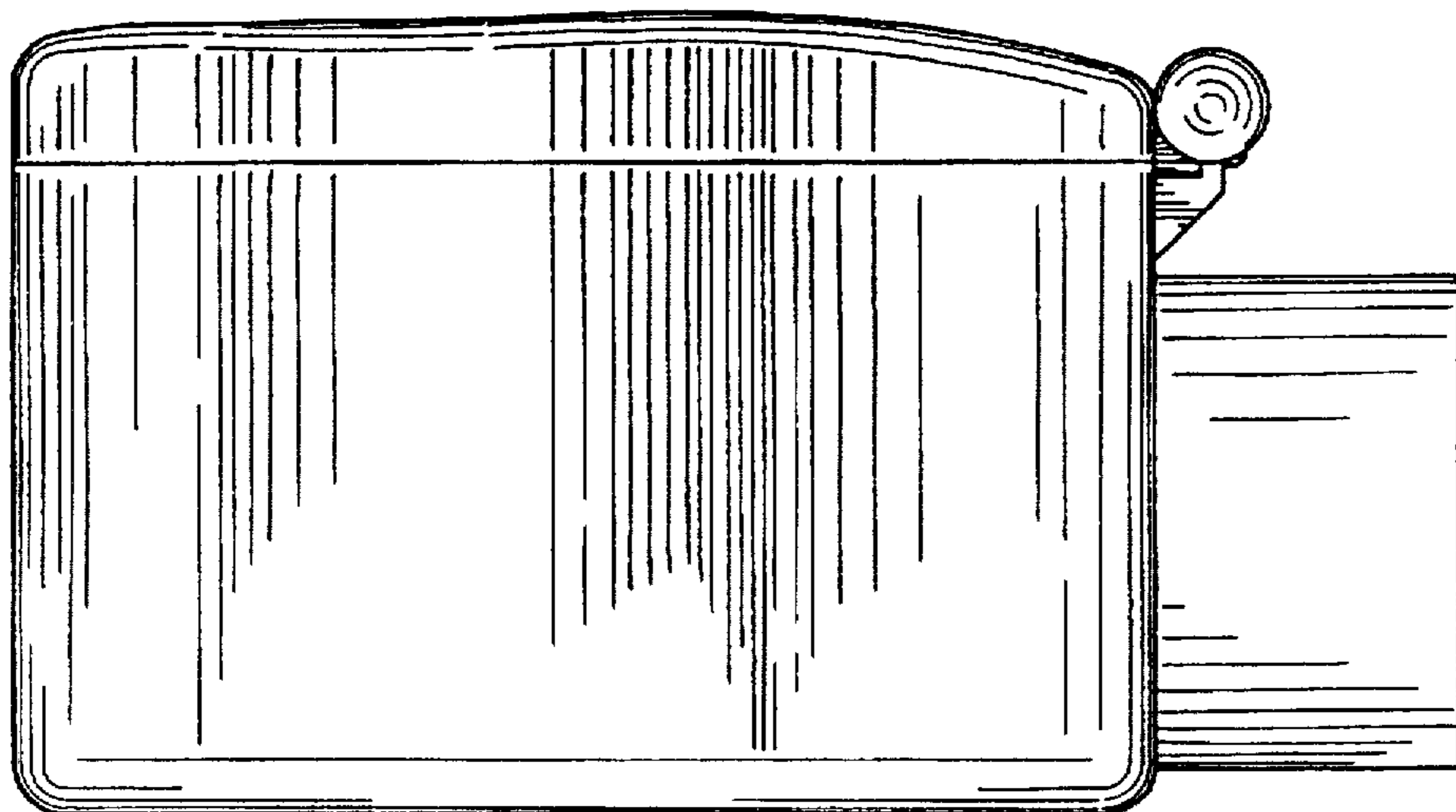


Fig. 6

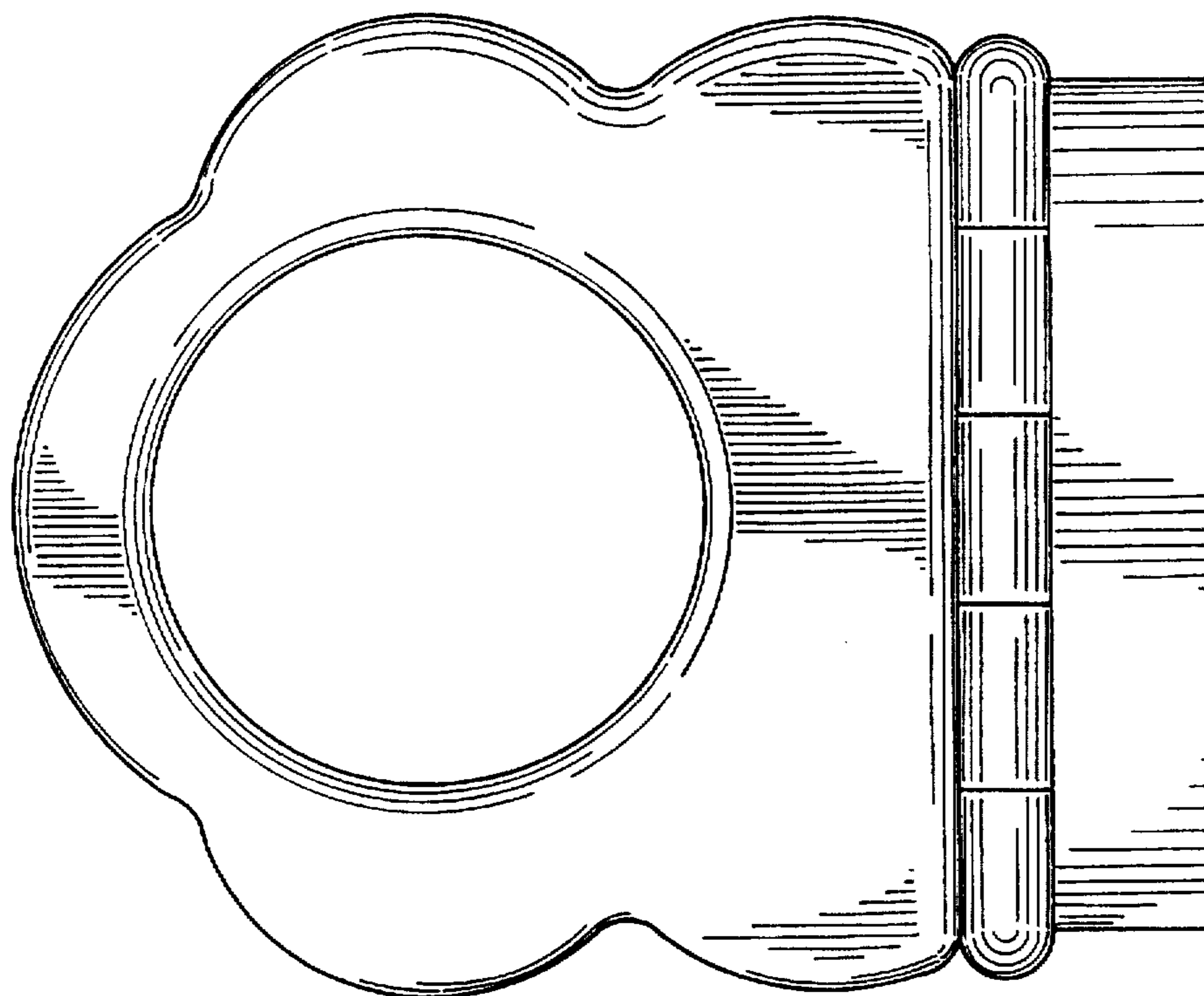


Fig. 4

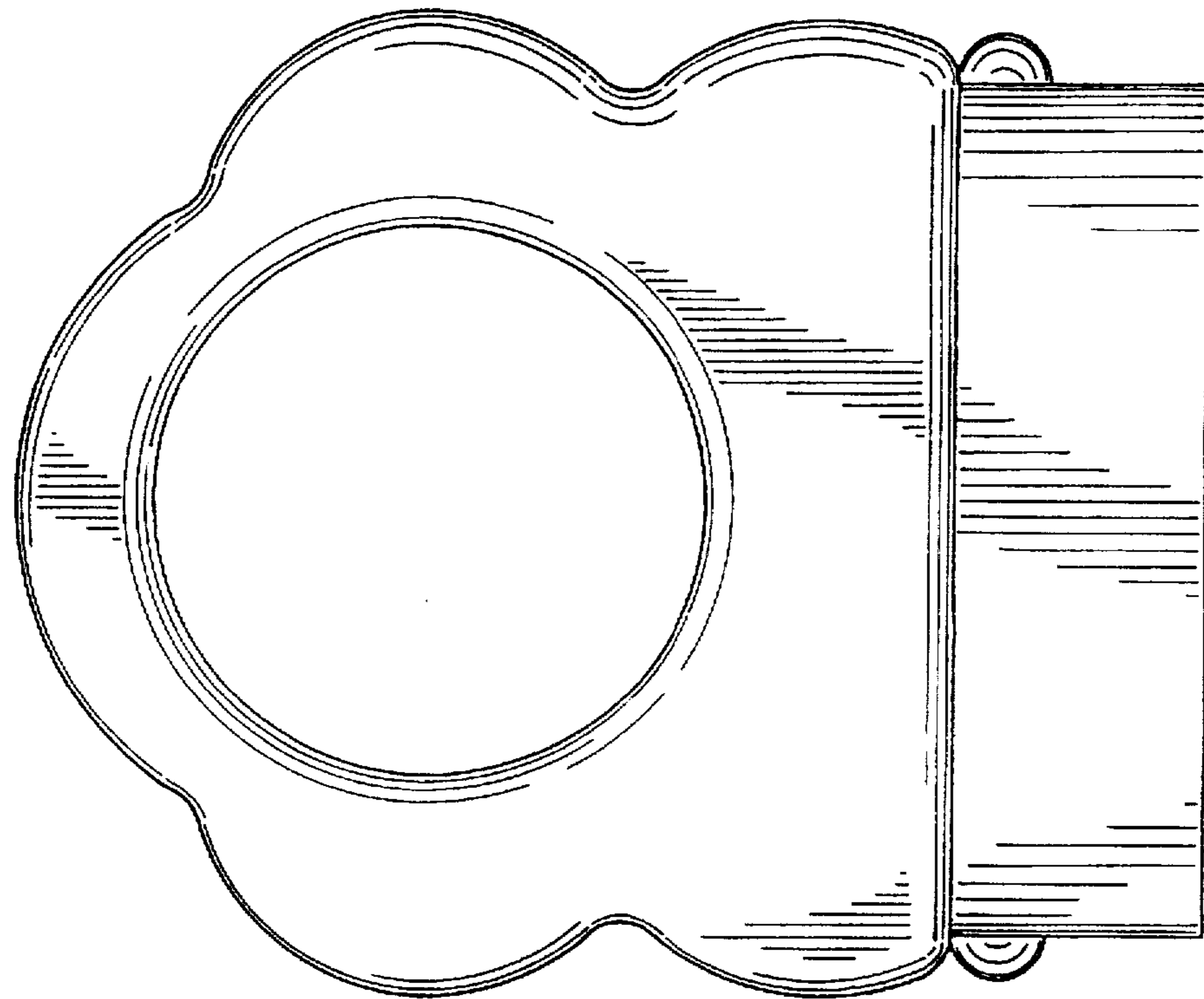


Fig. 7

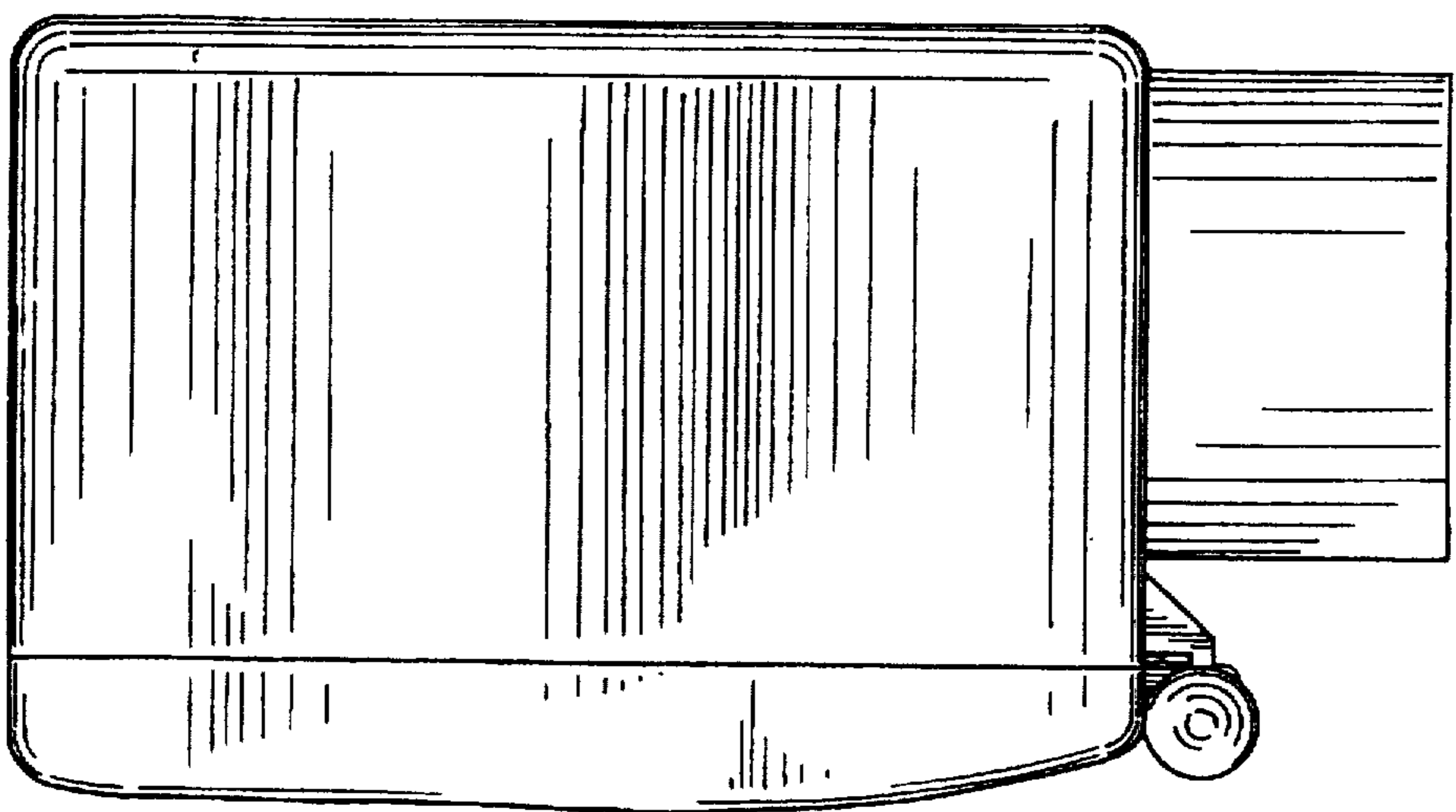


Fig. 5

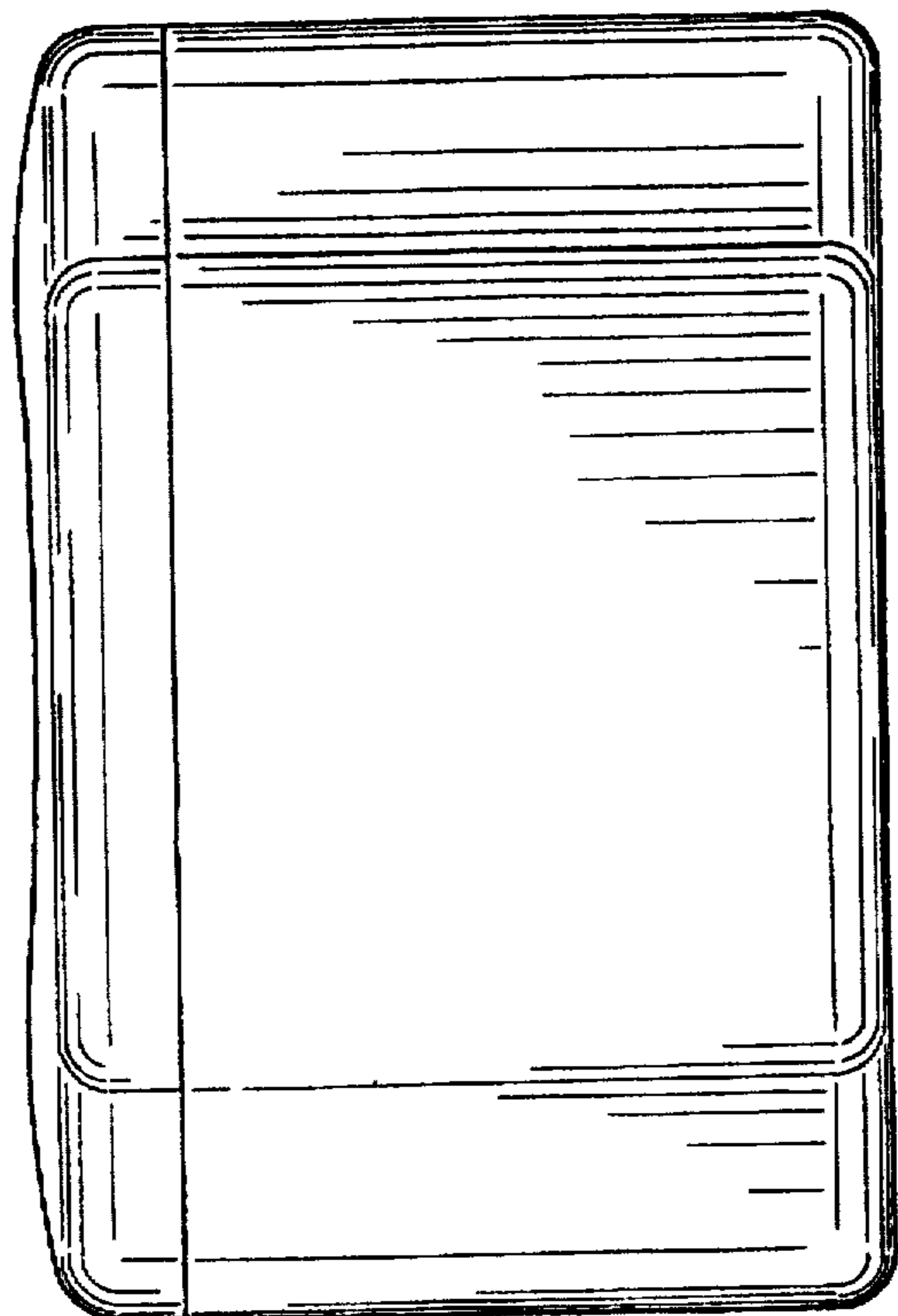


Fig. 9

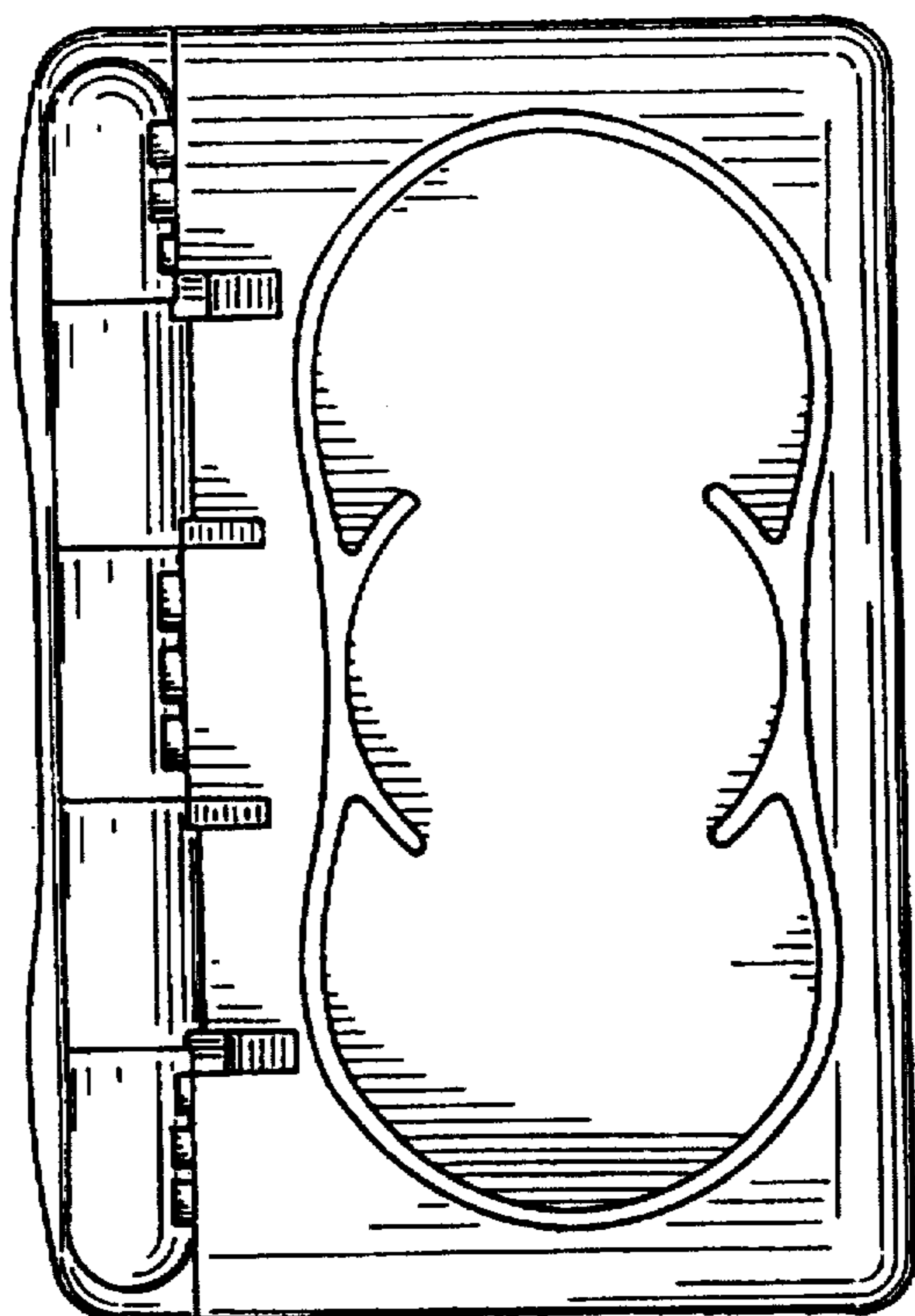


Fig. 8