



US00D396253S

United States Patent [19]
Beecher

[11] **Patent Number:** **Des. 396,253**
[45] **Date of Patent:** ****Jul. 21, 1998**

[54] **INFANT'S RATTLE**

[75] **Inventor:** **Christina M. Beecher, Norton, Mass.**

[73] **Assignee:** **Hasbro, Inc., Pawtucket, R.I.**

[**] **Term:** **14 Years**

[21] **Appl. No.:** **72,239**

[22] **Filed:** **Jun. 10, 1997**

[51] **LOC (6) Cl.** **21-02**

[52] **U.S. Cl.** **D21/65**

[58] **Field of Search** **D21/65, 59; D24/194;**
446/419

2,662,336	12/1953	Zalkind .
4,170,106	10/1979	Koslosky .
4,361,980	12/1982	Chatani .
4,645,471	2/1987	Herring et al. .
4,722,713	2/1988	Williams et al. .
4,827,575	5/1989	Delaney .
5,072,843	12/1991	James .
5,199,920	4/1993	Christen .

Primary Examiner—Dominic Simone
Attorney, Agent, or Firm—Kurt R. Benson

[57] **CLAIM**

The ornamental design for an infant's rattle, as shown.

DESCRIPTION

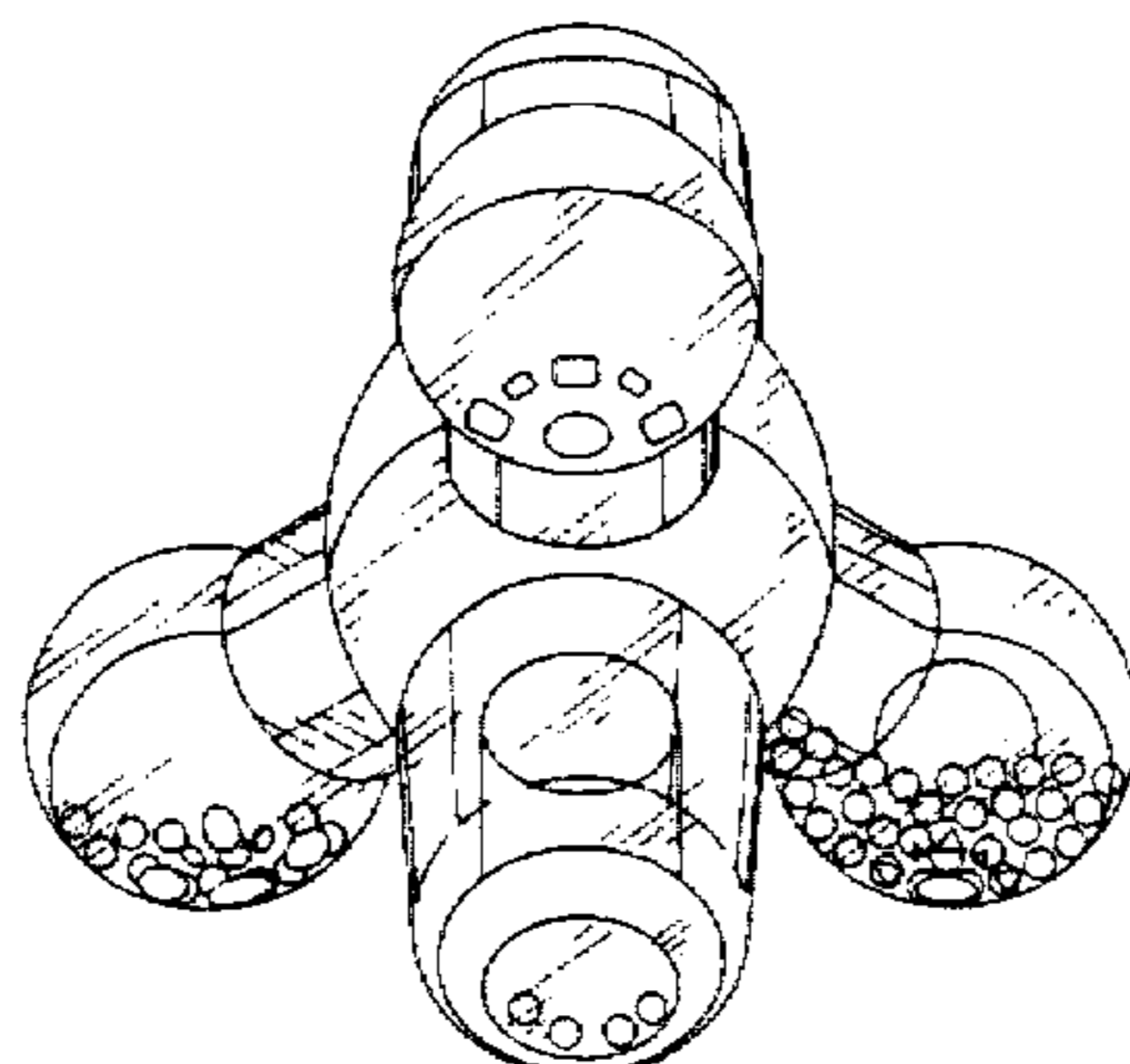
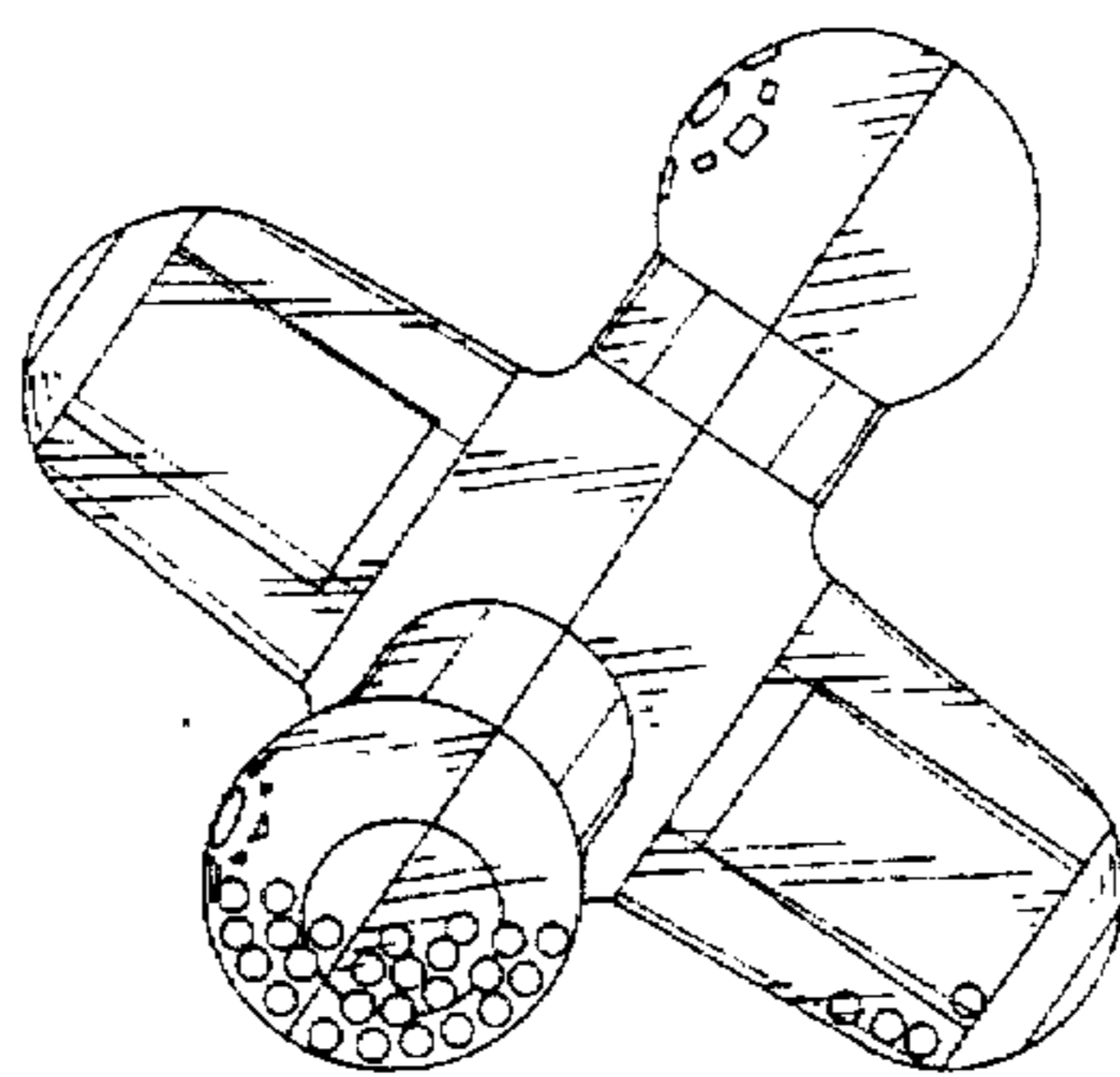
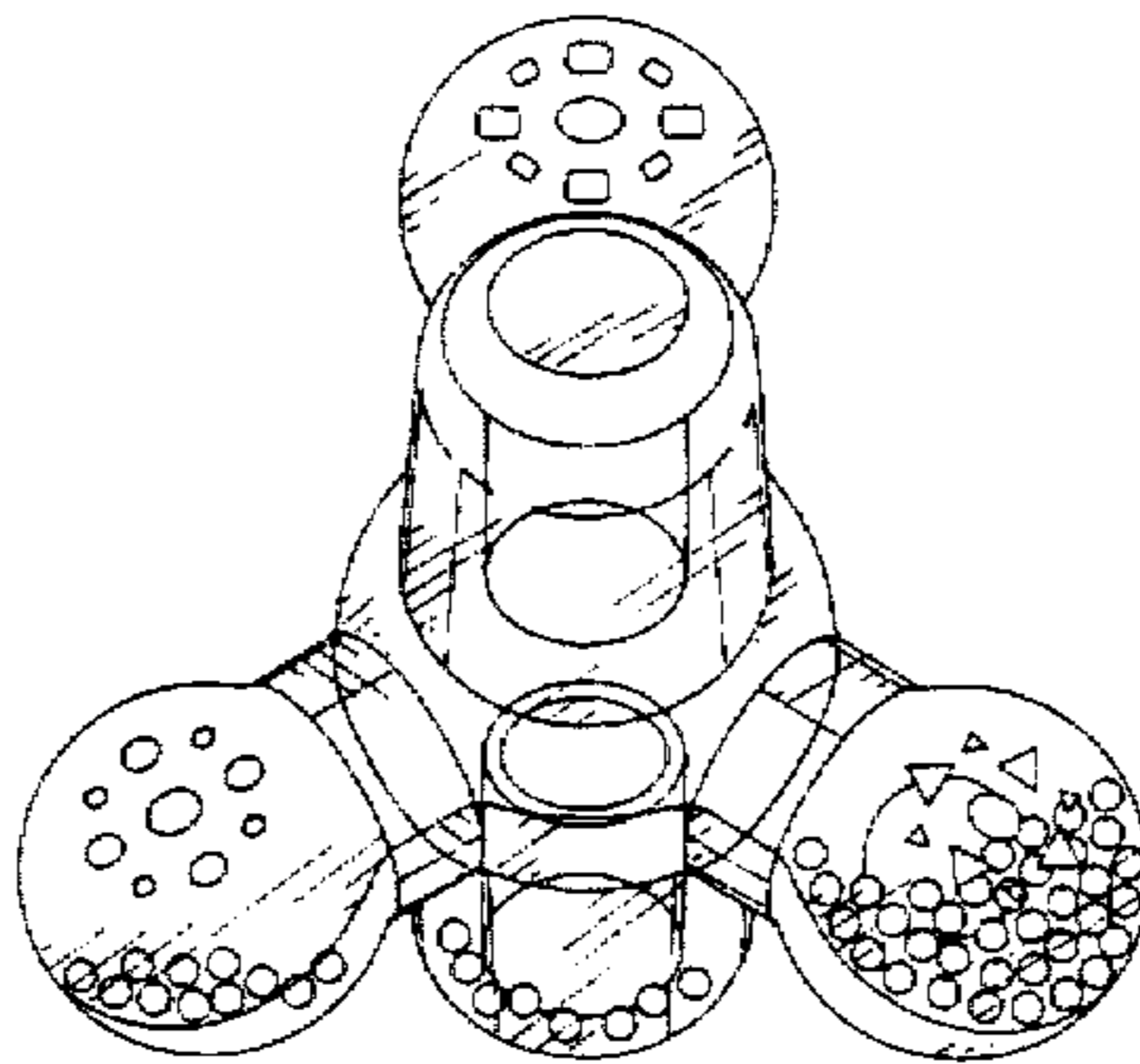
FIG. 1 is a front elevational view of the infant rattle of the instant invention;
FIG. 2 is a rear elevational view thereof;
FIG. 3 is a left side elevational view thereof;
FIG. 4 is a right side elevational view thereof;
FIG. 5 is a top plan view thereof; and
FIG. 6 is a bottom plan view thereof.

[56] **References Cited**

U.S. PATENT DOCUMENTS

D. 236,904	9/1975	Snyder .	
D. 275,410	9/1984	Panicci	D21/65 X
D. 281,438	11/1985	Wong .	
D. 288,944	3/1987	Duguid	D21/65
D. 311,759	10/1990	Thomson et al.	D21/65
2,065,823	12/1936	Palombo, Sr. et al. .	

1 Claim, 3 Drawing Sheets



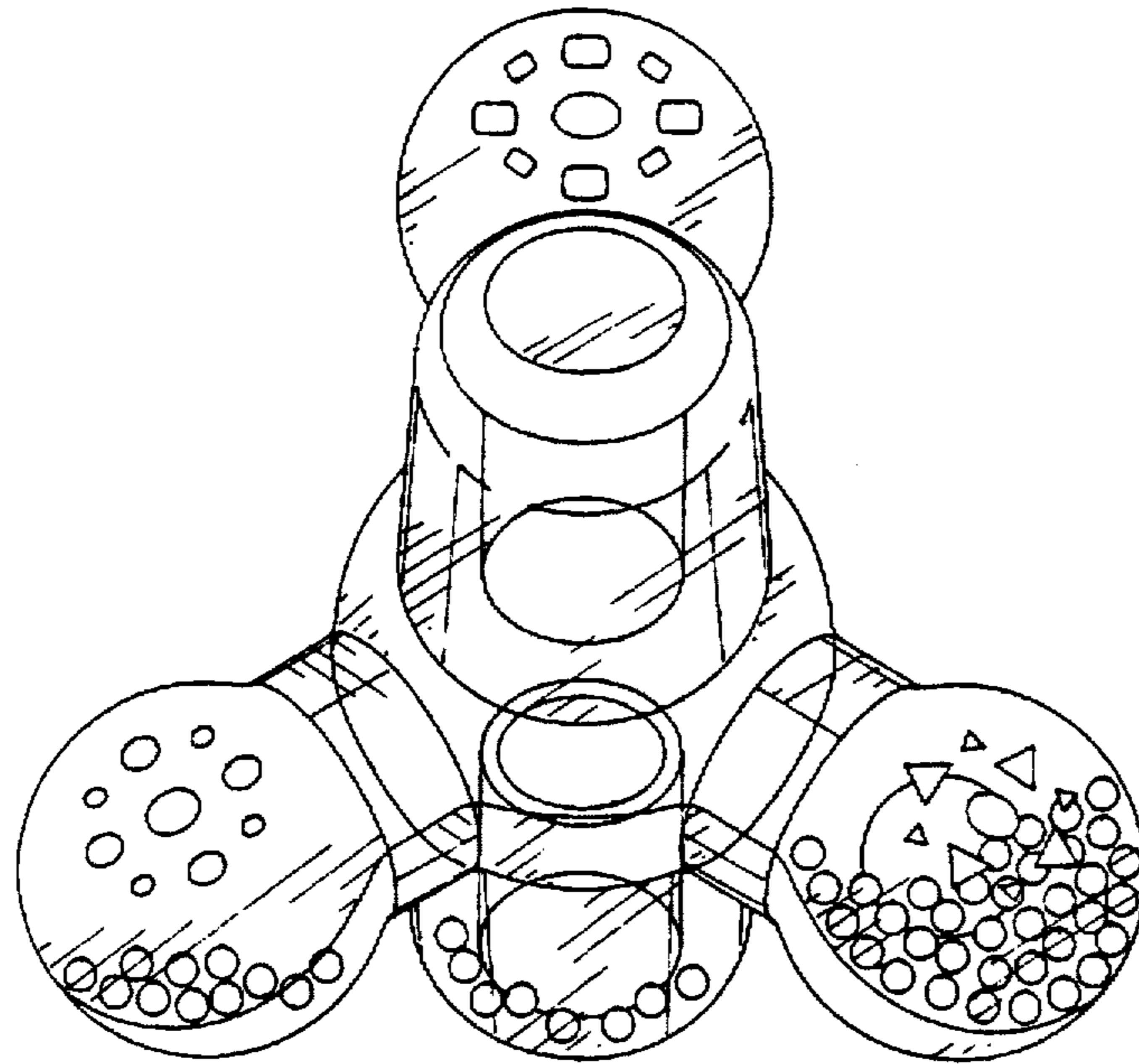


FIG. 1

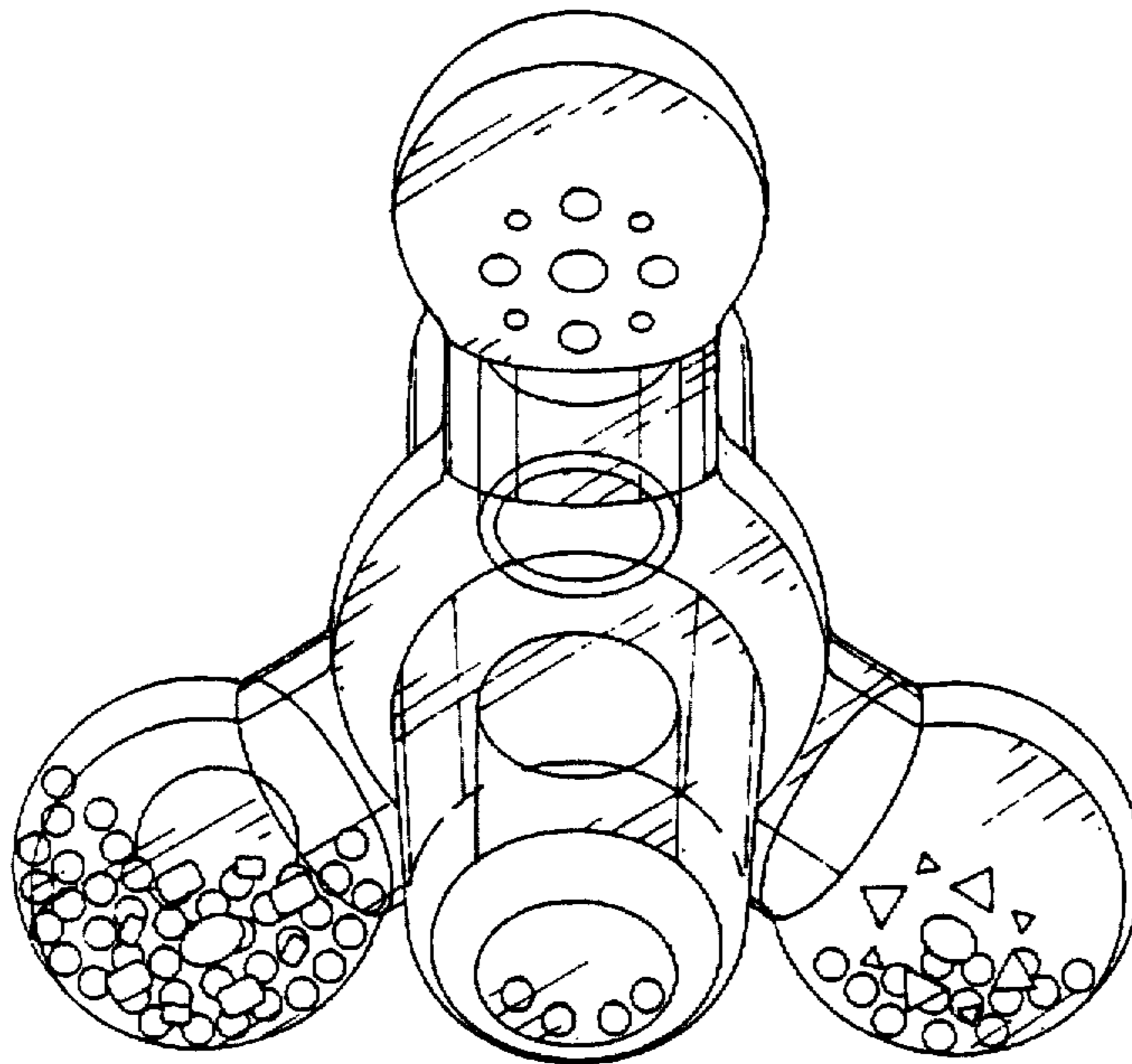


FIG. 2

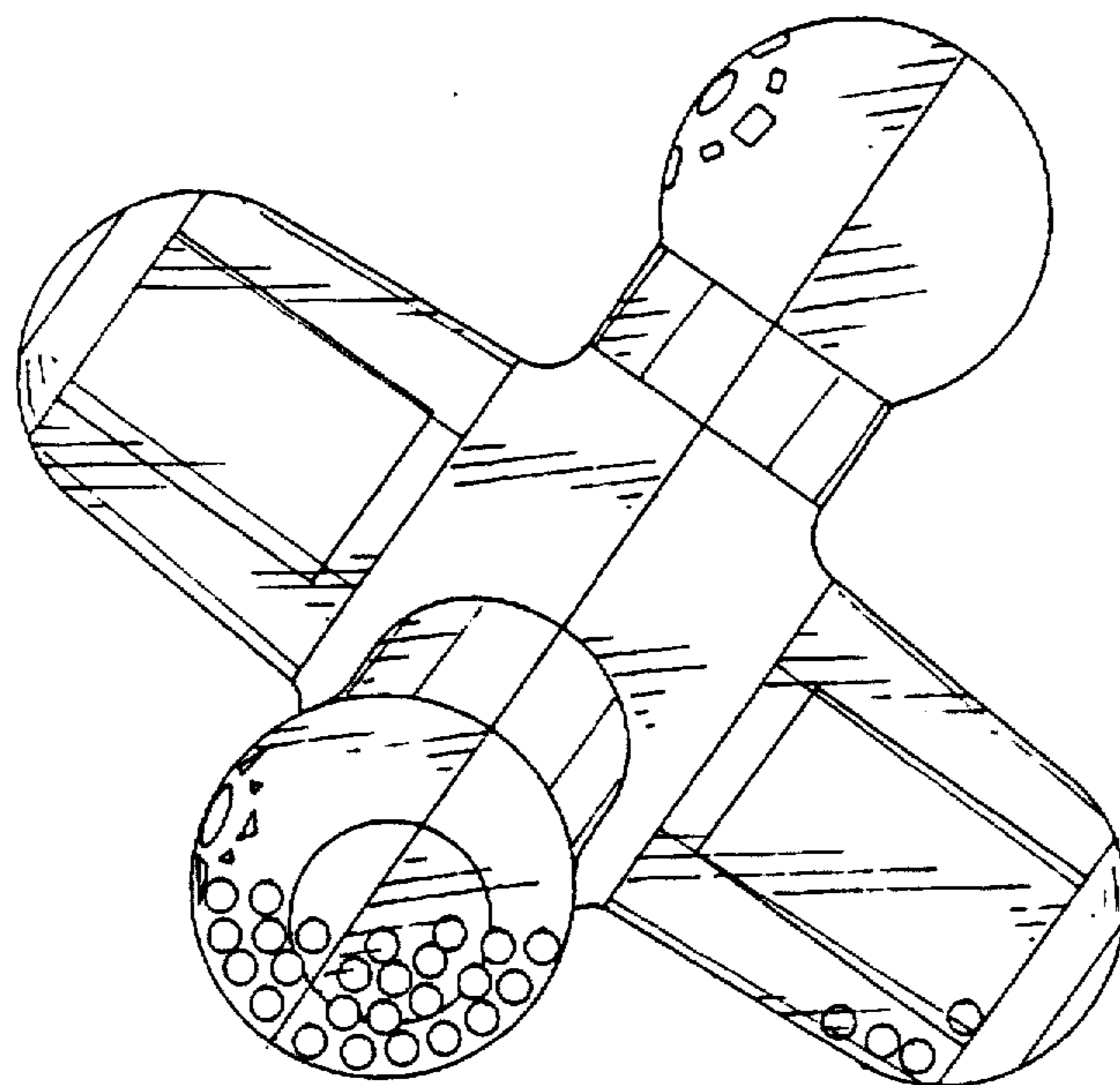


FIG. 3

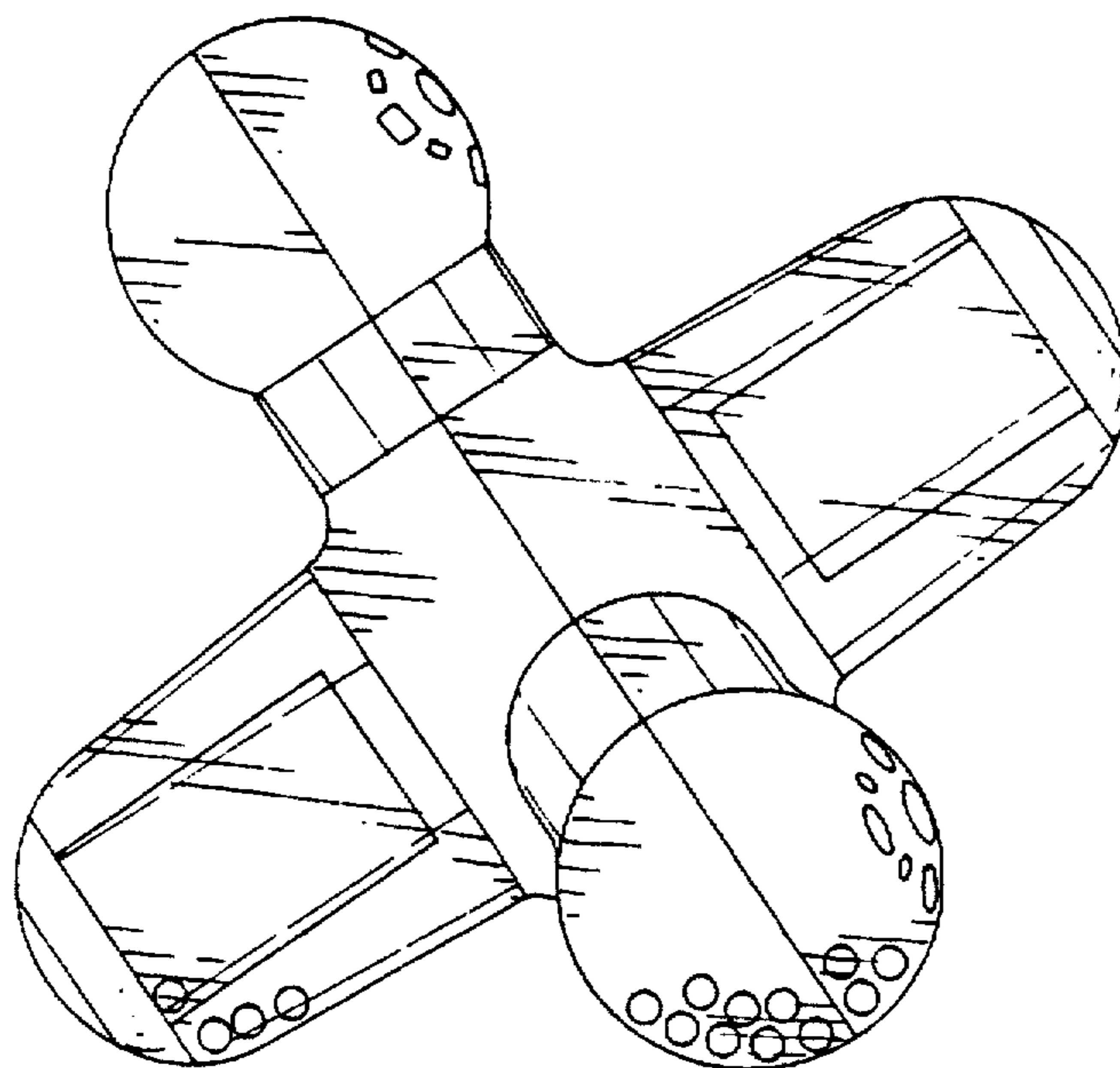


FIG. 4

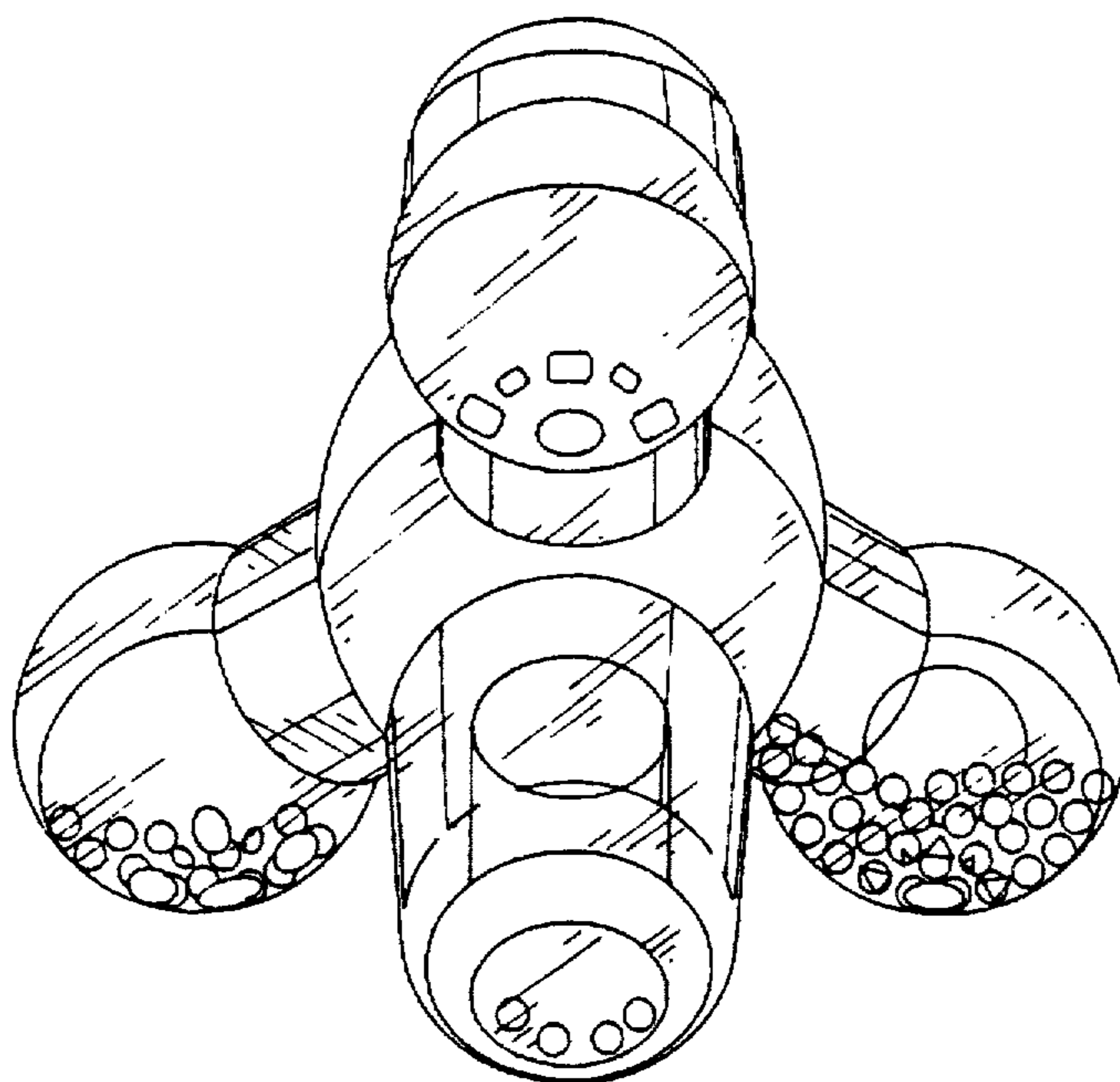


FIG. 5

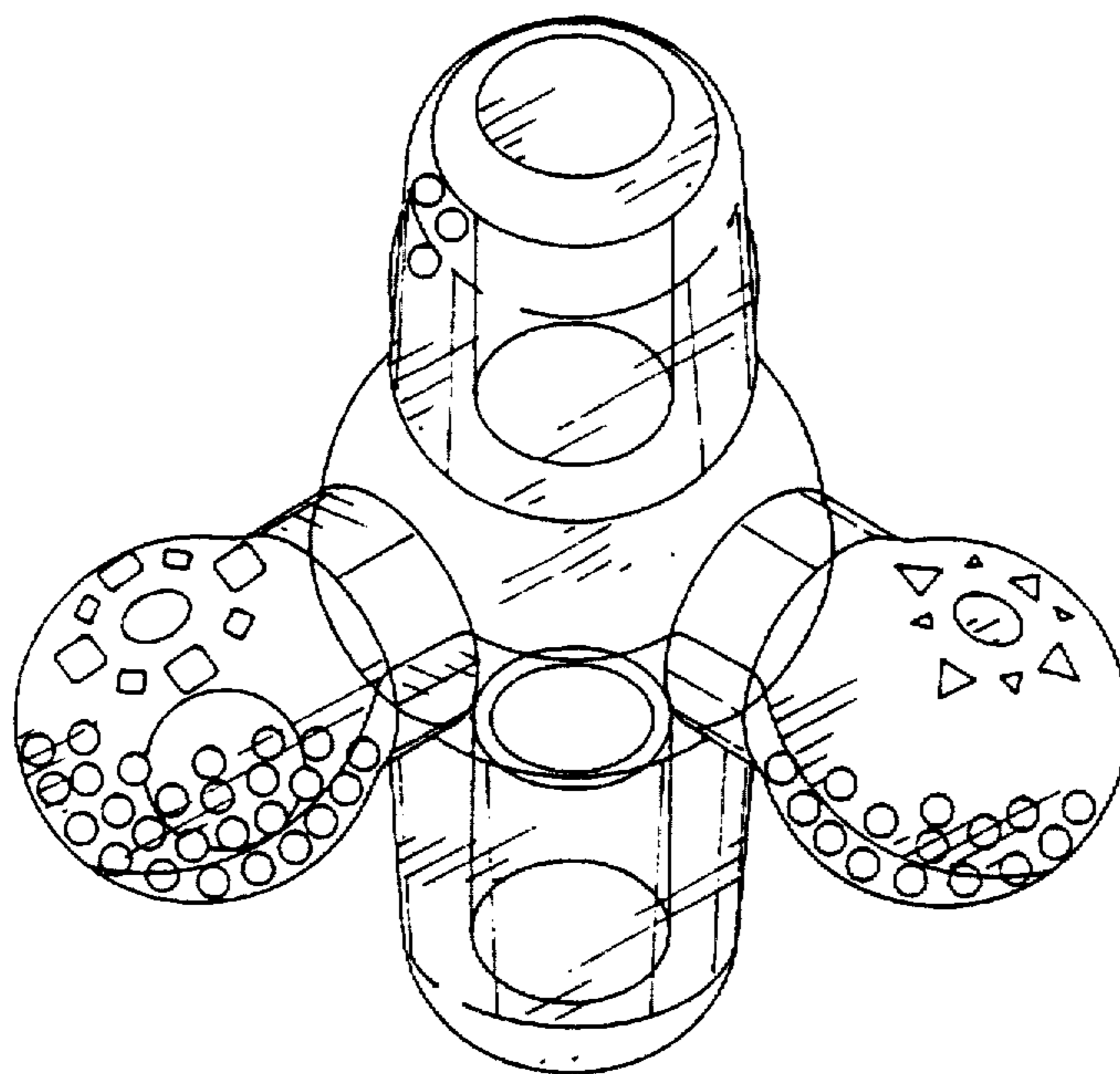


FIG. 6