



US00D396248S

United States Patent [19]

Nemeth

[11] Patent Number: Des. 396,248

[45] Date of Patent: **Jul. 21, 1998

[54] COPY CLIP

[75] Inventor: Bradley M. Nemeth, Oak Ridge, Tenn.

[73] Assignee: Brauner Nemeth, Inc., Palo Alto, Calif.

[**] Term: 14 Years

[21] Appl. No.: 75,678

[22] Filed: Aug. 25, 1997

[51] LOC (6) Cl. 19-02

[52] U.S. Cl. D19/88; D19/90; D19/91

[58] Field of Search D19/35, 36, 65, D19/75, 78, 86, 88, 90, 91, 99, 100; D14/114; 248/441.1, 442.2, 447, 447.1, 447.2, 450, 451, 452, 458, 460, 462

[56] References Cited

U.S. PATENT DOCUMENTS

- D. 327,502 6/1992 Maloney D14/114 X
- D. 351,419 10/1994 Goekler D19/88
- D. 355,219 2/1995 Jones et al. D19/88
- D. 365,849 1/1996 Greer, Jr. D19/36
- 4,934,648 6/1990 Yuch 248/442.2

- 5,044,593 9/1991 Jones 248/442.2
- 5,067,681 11/1991 Huang et al. 248/442.2
- 5,297,768 3/1994 Denton 248/458 X
- 5,549,268 8/1996 Hopwood 248/442.2

Primary Examiner—Martie Thompson
Attorney, Agent, or Firm—Pitts & Brittan, P.C.

[57] CLAIM

The ornamental design of a copy clip, as shown and described.

DESCRIPTION

FIG. 1 is a perspective view thereof, the broken lines showing a portion of a computer monitor on which the copy clip is mounted and a sheet of paper being held by the copy clip being shown for illustrative purposes only and forming no part of the claimed design;

FIG. 2 is a front elevation view thereof;

FIG. 3 is a rear elevation view thereof;

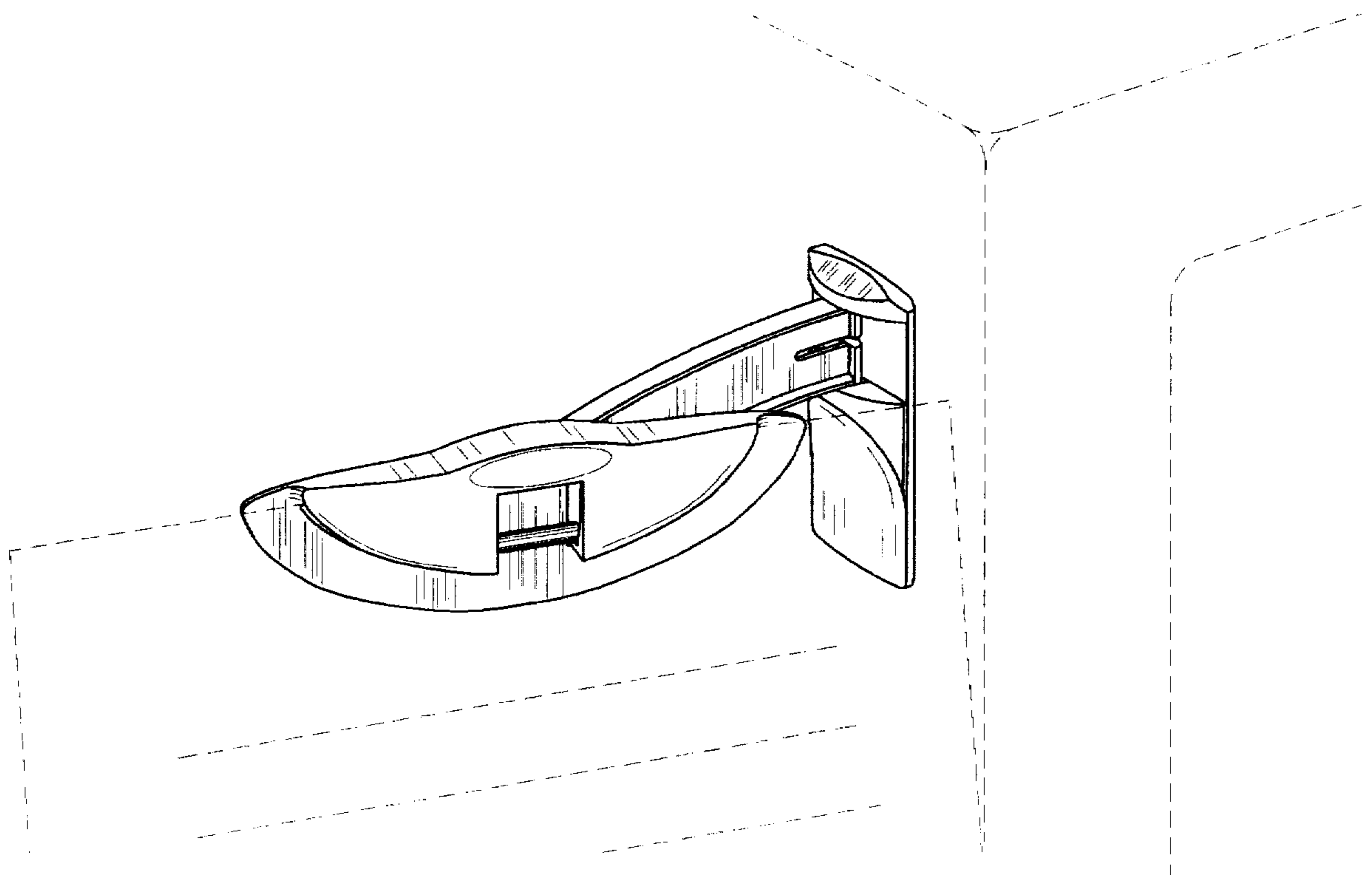
FIG. 4 is a top plan view thereof;

FIG. 5 is a bottom plan thereof;

FIG. 6 is a left end elevation view thereof; and,

FIG. 7 is a right end elevation thereof.

1 Claim, 7 Drawing Sheets



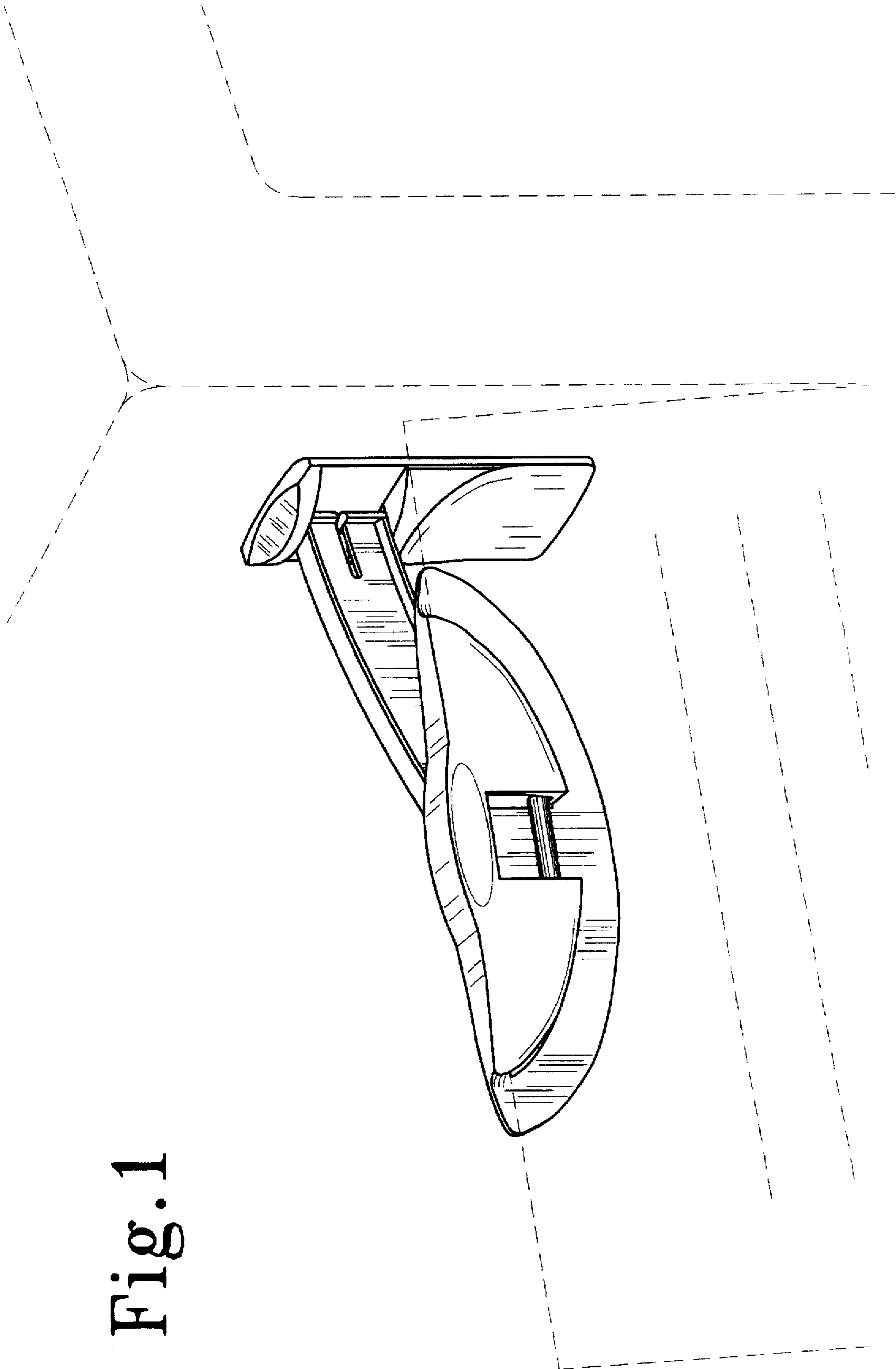


Fig. 1

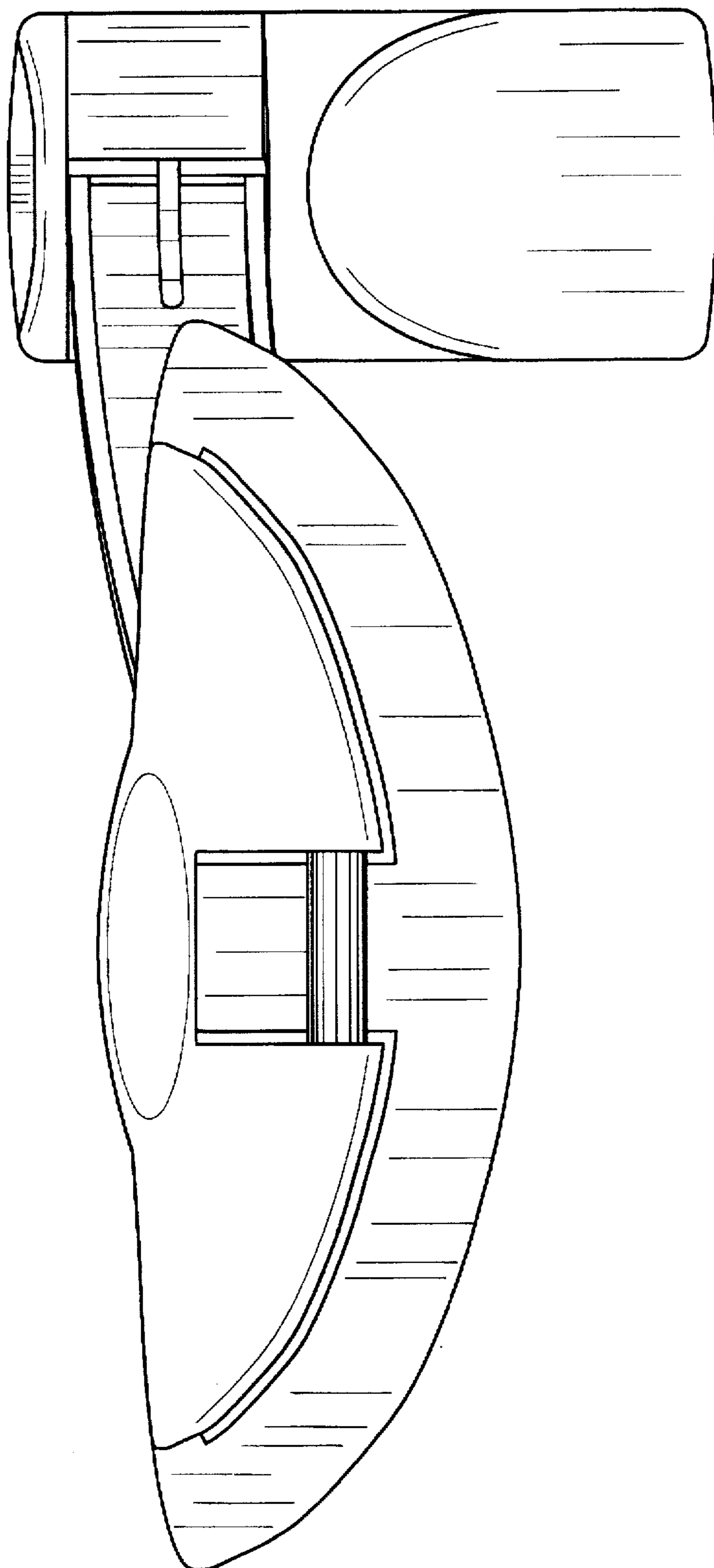


Fig. 2

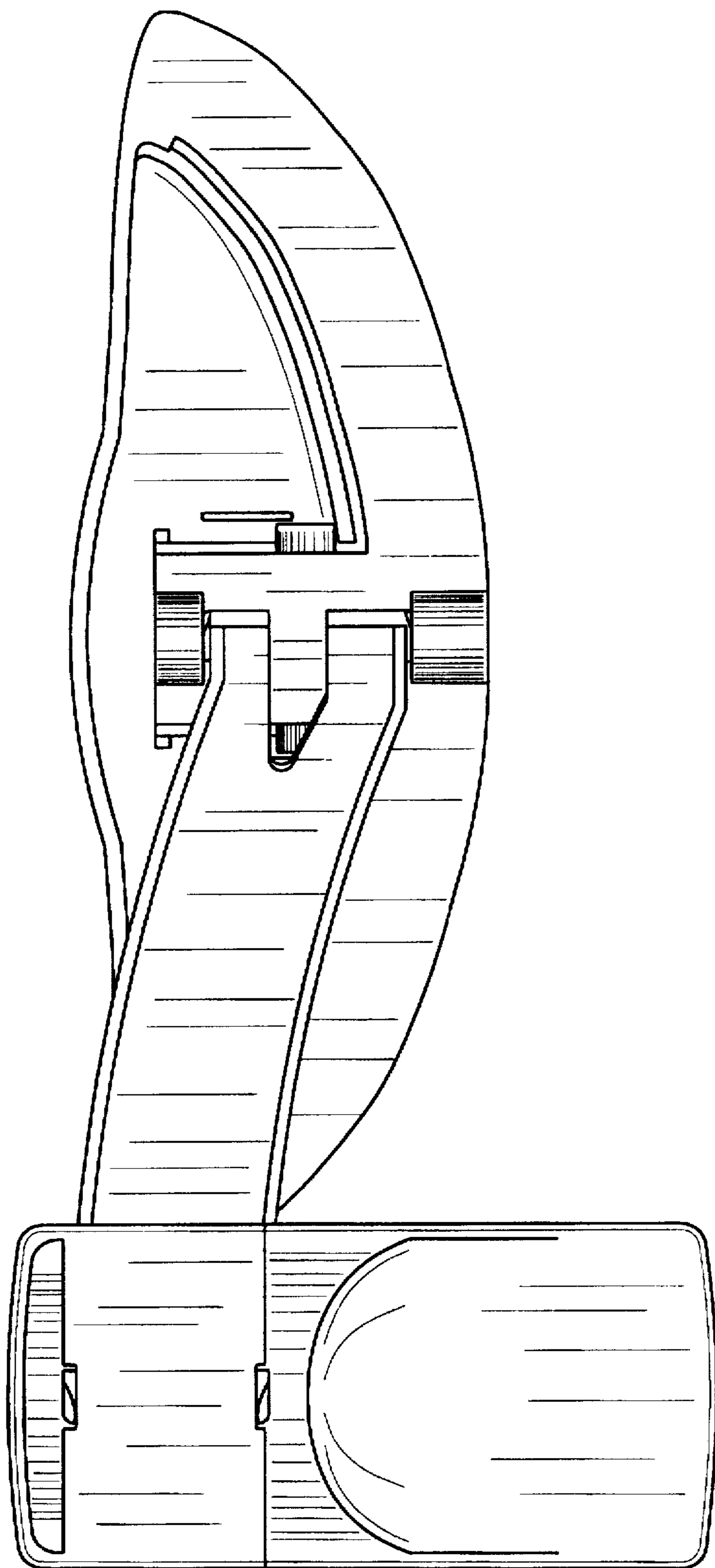


Fig. 3

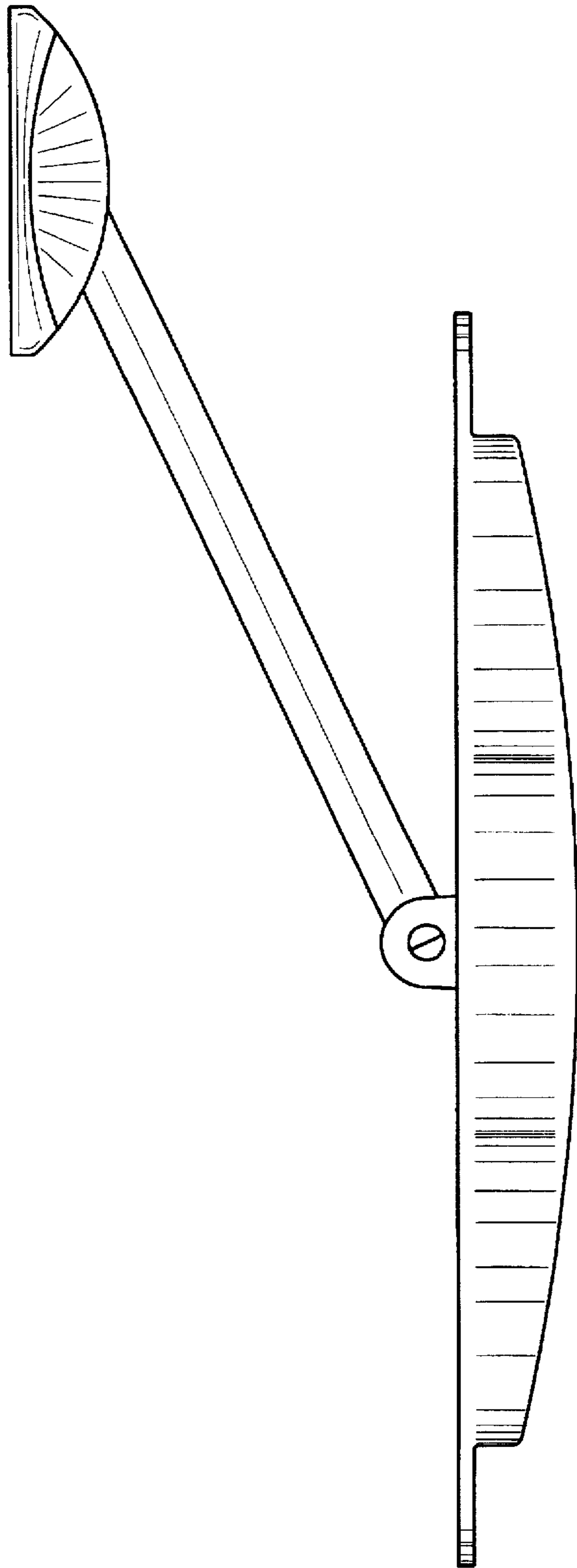


Fig. 4

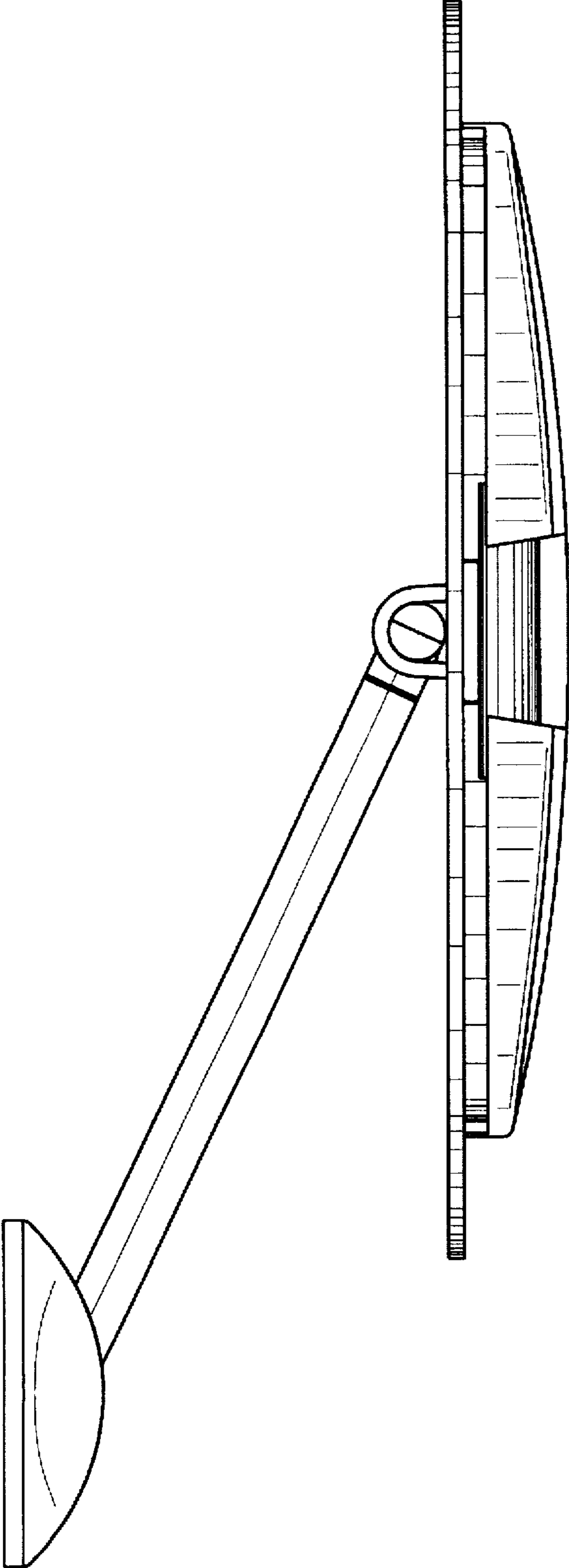


Fig. 5

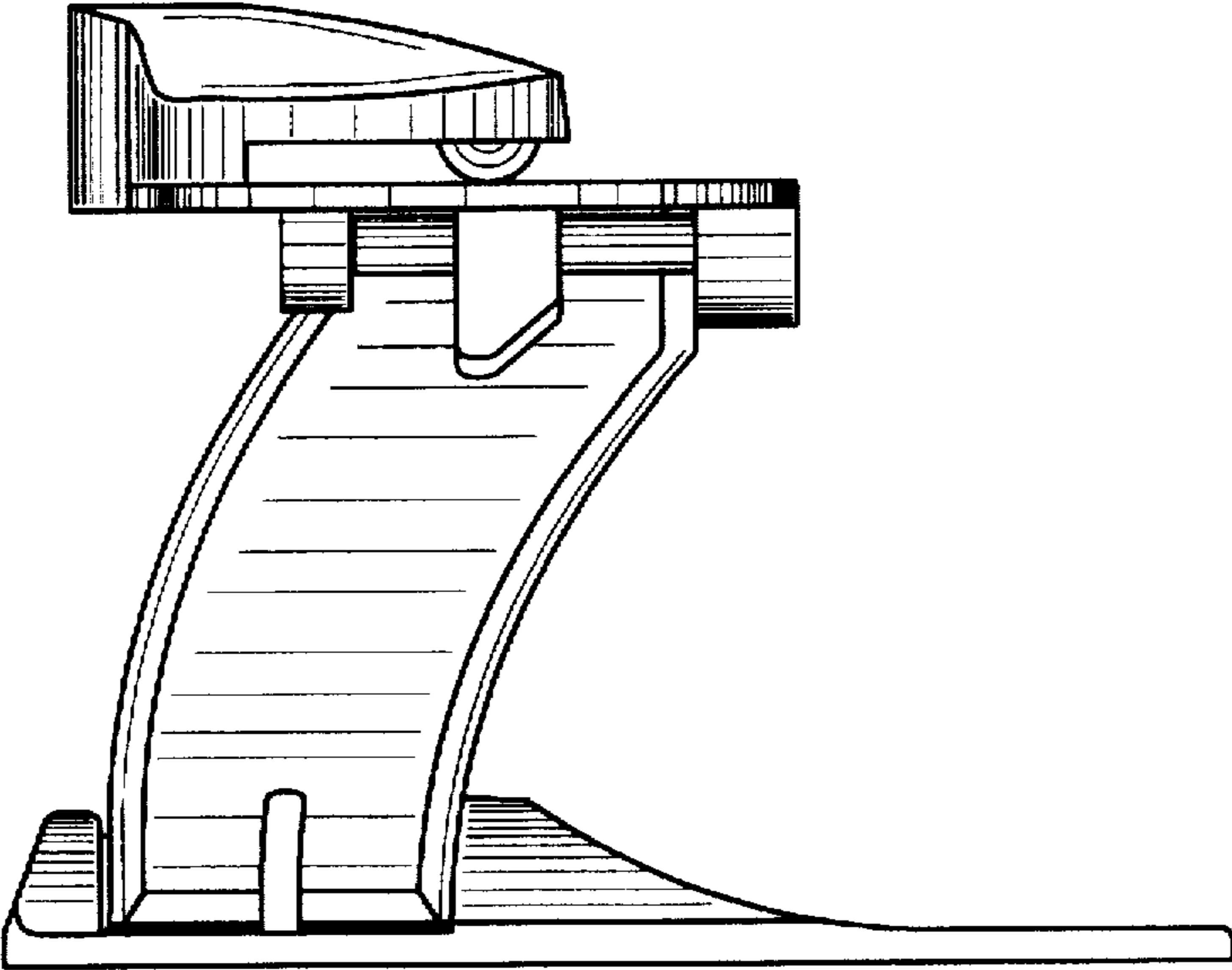


Fig. 6

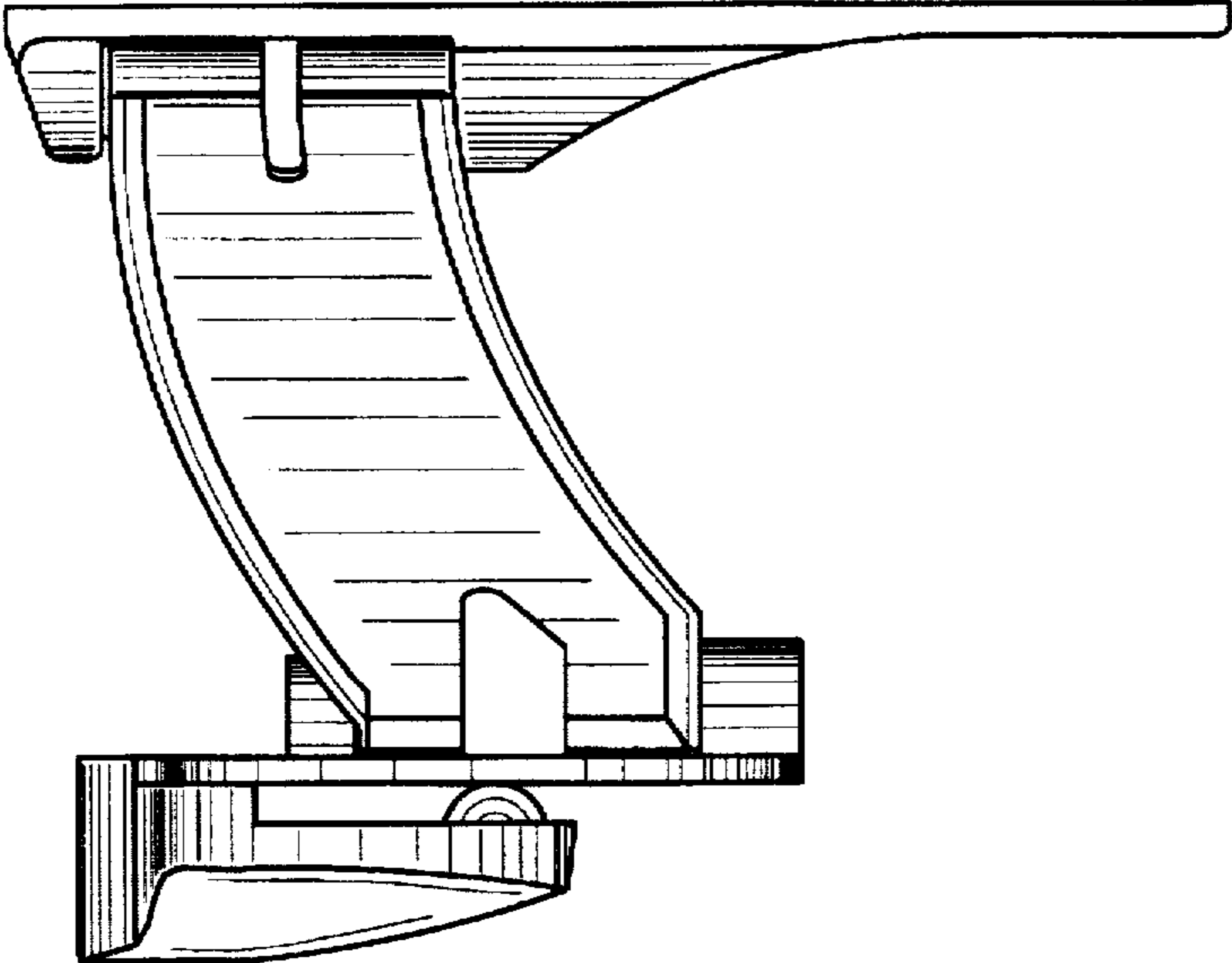


Fig. 7