



US00D396245S

United States Patent [19]

Ng

[11] Patent Number: Des. 396,245

[45] Date of Patent: **Jul. 21, 1998

[54] **COMBINED THREE HOLE PUNCH AND RULER**

[76] Inventor: **Sai Keung Ng**, Flat C, 17/F., Block 1, Tai Hing Gardens, Phase 1, 11, Tsun Wen Road, Tuen Mun, New Territories, Hong Kong

2,105,233	1/1938	Schade	402/1
2,474,344	6/1949	Carsenter	83/167
5,291,813	3/1994	Blumenthal et al.	83/599
5,340,229	8/1994	Schwartzman	402/4
5,409,319	4/1995	Bedol	402/1
5,638,730	6/1997	Karlis	83/167

[**] Term: 14 Years

Primary Examiner—Martie Thompson
Attorney, Agent, or Firm—Beveridge, DeGrandi, Weilacher & Young LLP

[21] Appl. No.: 76,892

[57] CLAIM

[22] Filed: Sep. 26, 1997

The ornamental design for a combined three hole punch and ruler, as shown and described.

[51] LOC (6) Cl. 19-02

DESCRIPTION

[52] U.S. Cl. D19/72; D10/71; D19/36; D19/65; D19/37

[58] Field of Search D10/70, 71; D19/35, D19/36, 37, 65, 72, 95, 99, 100; 83/167, 454, 465, 467, 560, 588, 599, 618, 620, 633; 30/123, 356; 402/1, 4

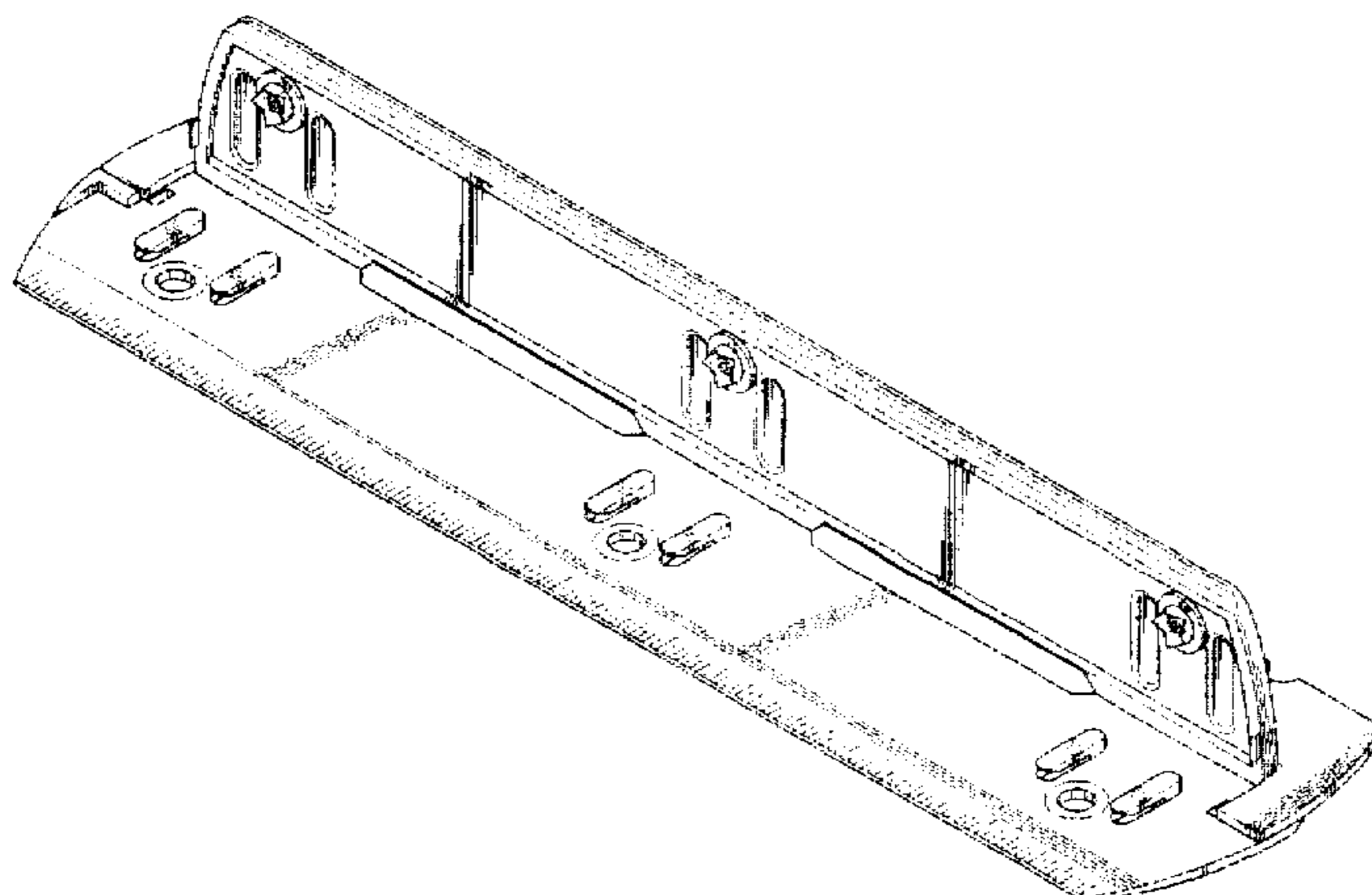
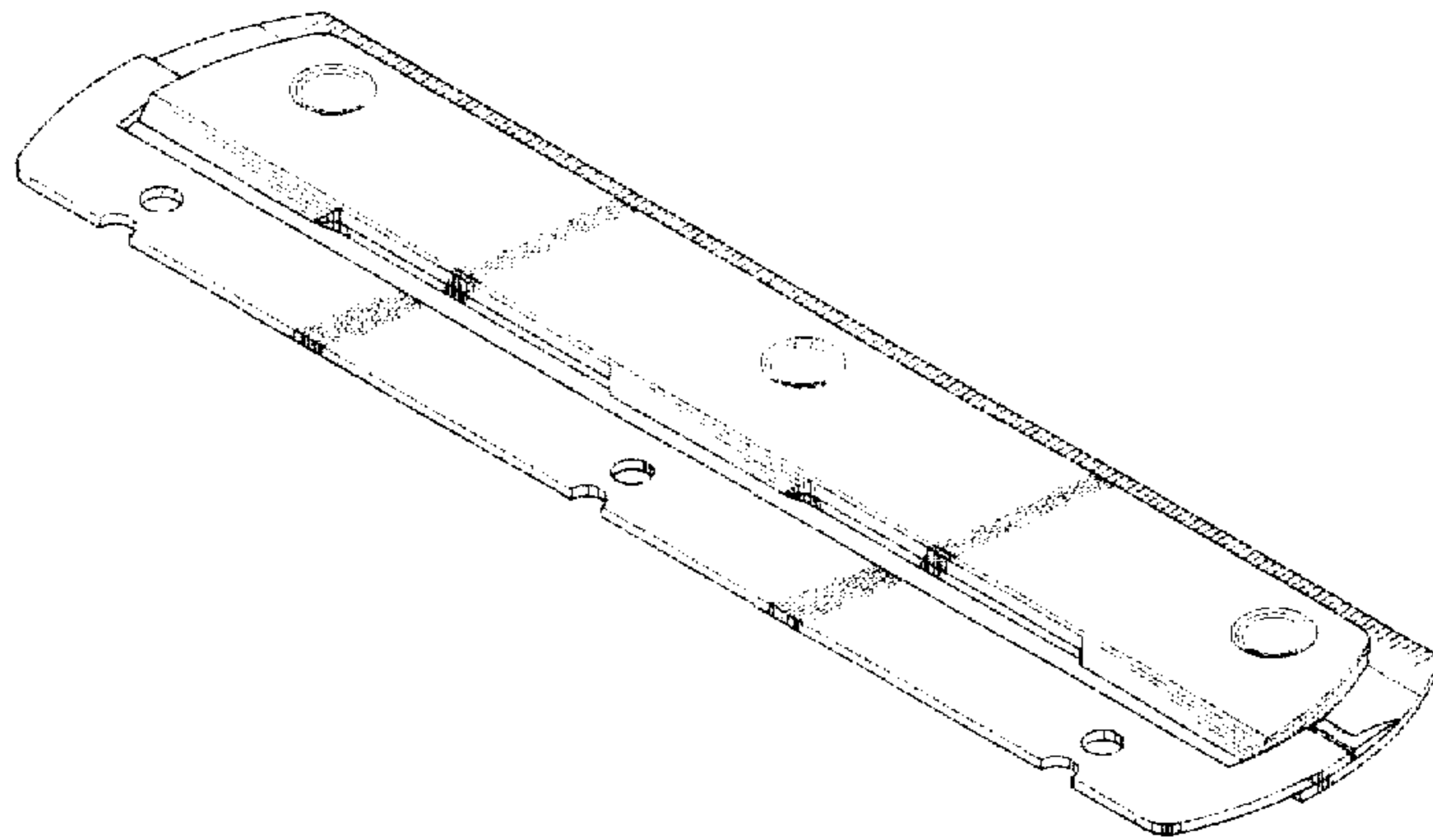
FIG. 1 is a front perspective view in closed position of a combined three hole punch and ruler showing my new design;
 FIG. 2 is a front perspective view in opened position;
 FIG. 3 is a front view thereof;
 FIG. 4 is a rear side view thereof;
 FIG. 5 is a left side view thereof;
 FIG. 6 is a right side view thereof;
 FIG. 7 is a top view thereof; and,
 FIG. 8 is a bottom view thereof.

[56] References Cited

U.S. PATENT DOCUMENTS

D. 231,262	4/1974	Lichter	D19/72
D. 305,203	12/1989	Loesche	D19/72 X
D. 354,770	1/1995	Bedol	D19/72
1,292,124	1/1919	Stenquist	402/1

1 Claim, 4 Drawing Sheets



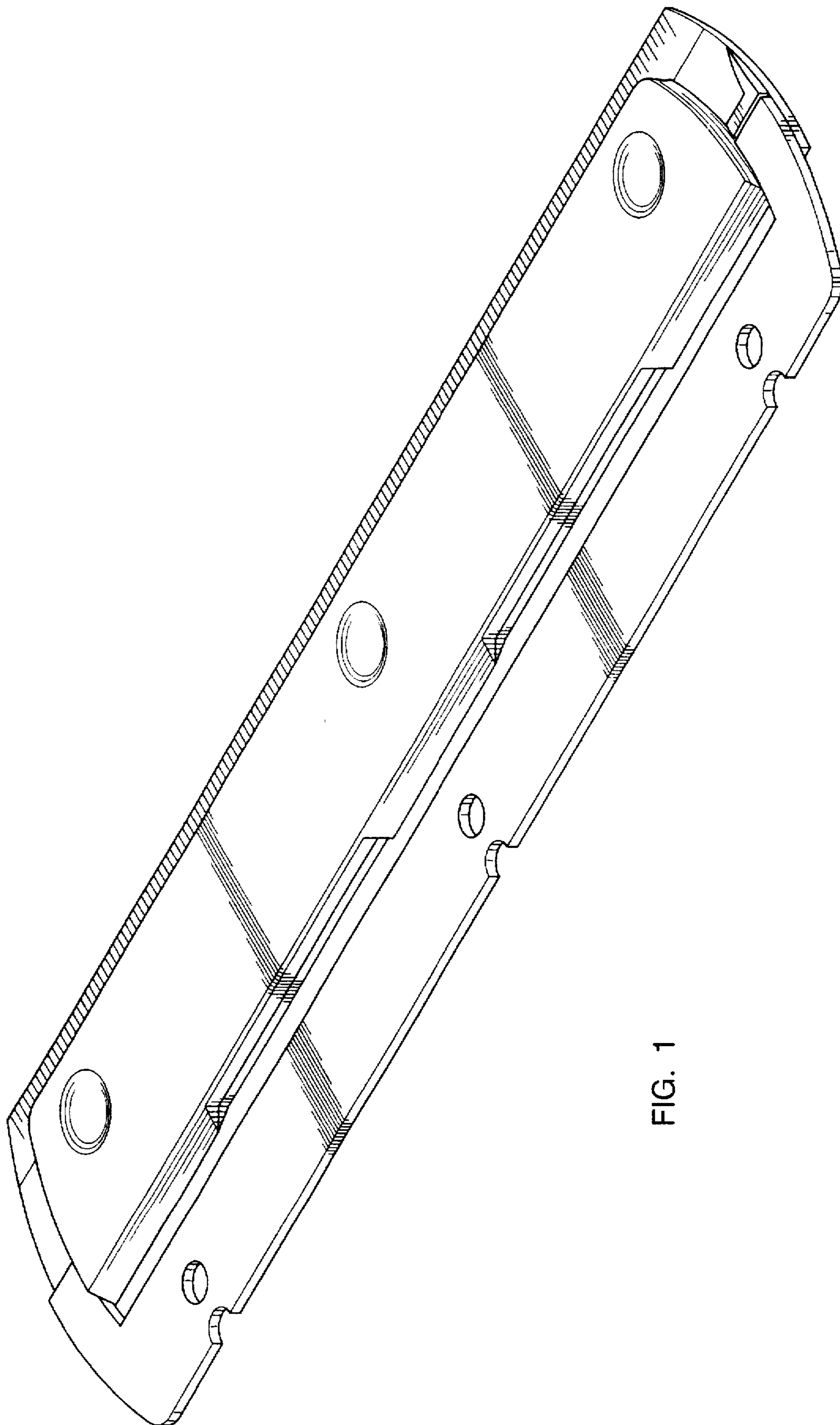


FIG. 1

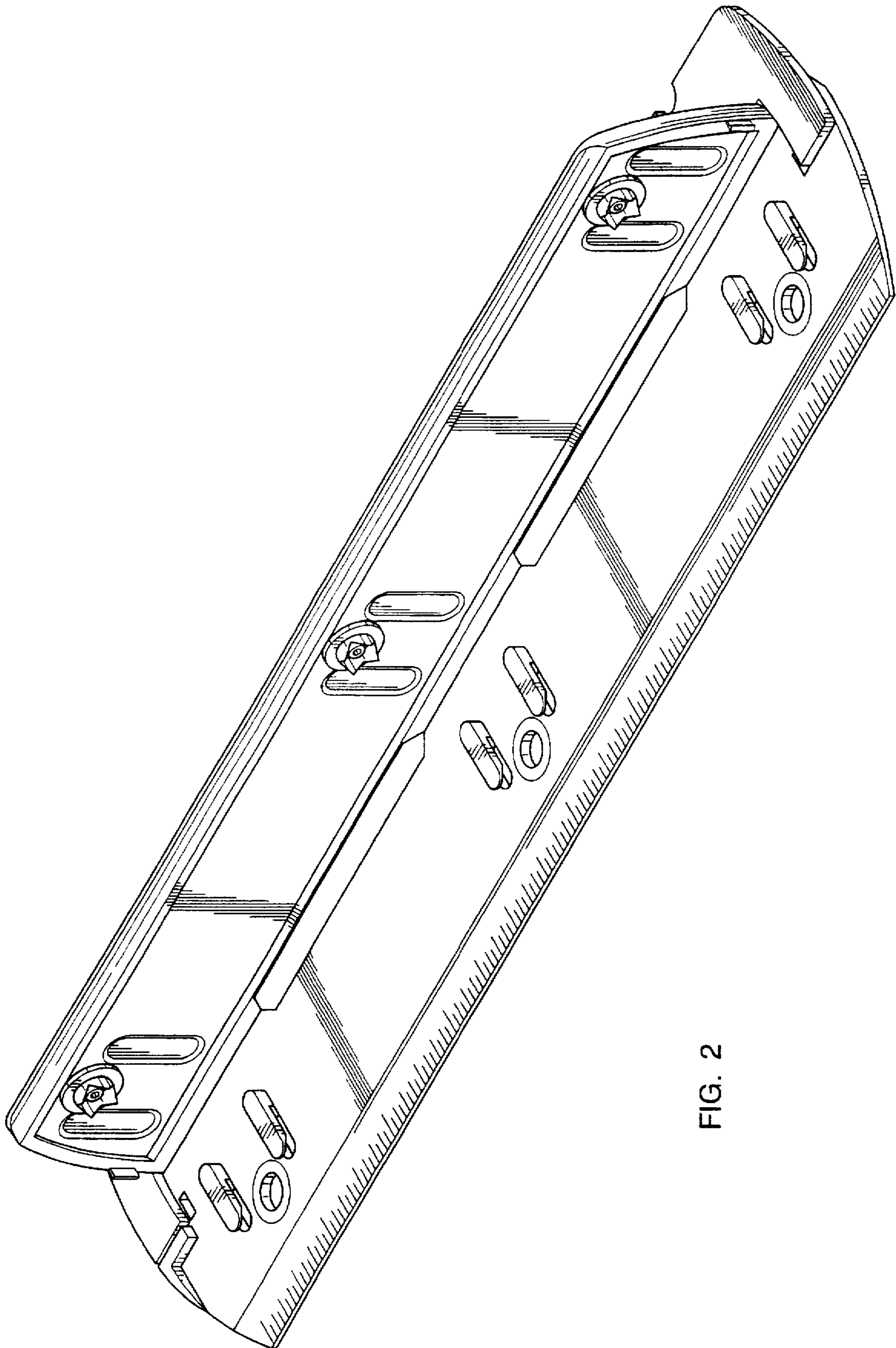


FIG. 2

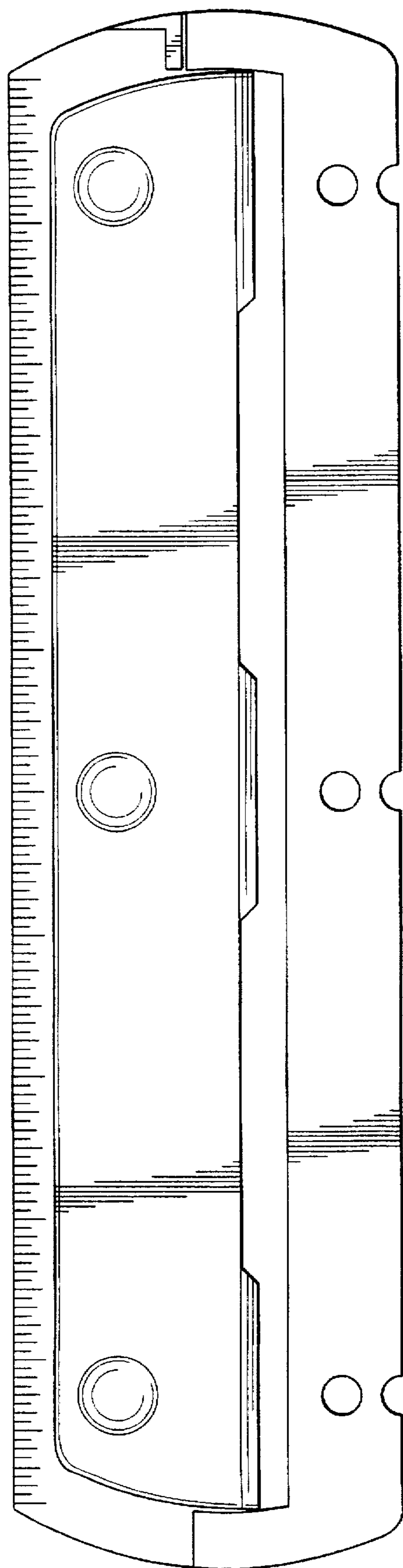


FIG. 3

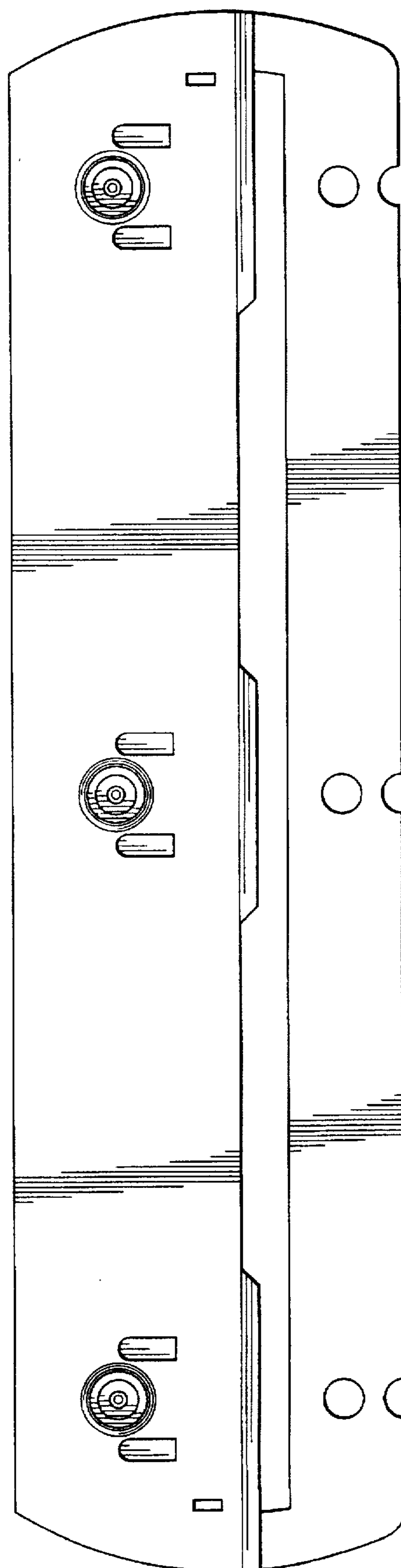


FIG. 4

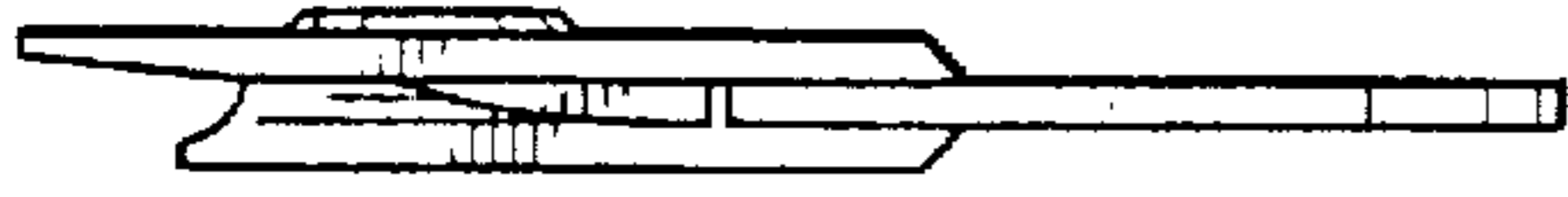


FIG. 5



FIG. 6



FIG. 7



FIG. 8